



US00D741557S

(12) **United States Design Patent**
Young et al.

(10) **Patent No.:** **US D741,557 S**

(45) **Date of Patent:** **** Oct. 20, 2015**

(54) **DUST COLLECTOR**

3,850,254 A 11/1974 Hirdes
4,036,308 A 7/1977 Dellenberg
4,064,952 A 12/1977 Lechner

(Continued)

(71) Applicant: **Milwaukee Electric Tool Corporation,**
Brookfield, WI (US)

(72) Inventors: **Tyler Young,** Pewaukee, WI (US);
Cheng Liang Zhang, Dongguan (CN);
Joseph H. Ellice, Greenfield, WI (US);
Daryl S. Richards, Sussex, WI (US)

FOREIGN PATENT DOCUMENTS

EP 0456598 11/1991
EP 1293298 3/2003

(Continued)

(73) Assignee: **Milwaukee Electric Tool Corporation,**
Brookfield, WI (US)

OTHER PUBLICATIONS

Makita, "Makita Dust Xtraction Solutions for Every Masonry Appli-
cation" <[http://www.makitausa.com/en-us/Modules/Tools/
XtractVac/Masonry.aspx](http://www.makitausa.com/en-us/Modules/Tools/XtractVac/Masonry.aspx)> website accessed Mar. 12, 2013.

(Continued)

(**) Term: **14 Years**

Primary Examiner — Ruth McInroy

(74) *Attorney, Agent, or Firm* — Michael Best & Friedrich
LLP

(21) Appl. No.: **29/479,366**

(22) Filed: **Jan. 15, 2014**

(51) **LOC (10) Cl.** **15-05**

(52) **U.S. Cl.**
USPC **D32/21**

(58) **Field of Classification Search**
USPC D8/70; D32/21, 18, 31
CPC B26F 1/16; B23D 59/006; B24B 55/06;
A47L 5/28; A47L 5/24; B23Q 11/0046
See application file for complete search history.

CLAIM

(57) We claim the ornamental design for a dust collector, as shown
and described.

DESCRIPTION

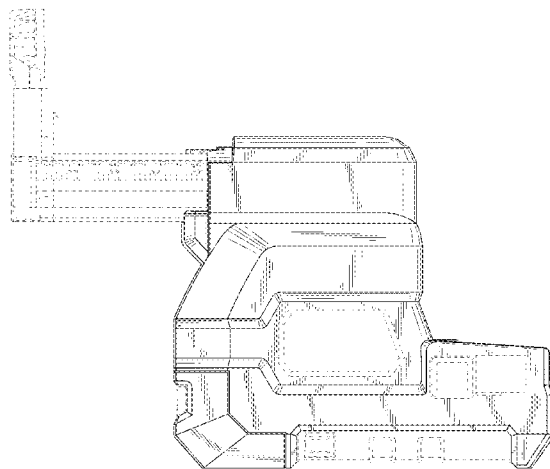
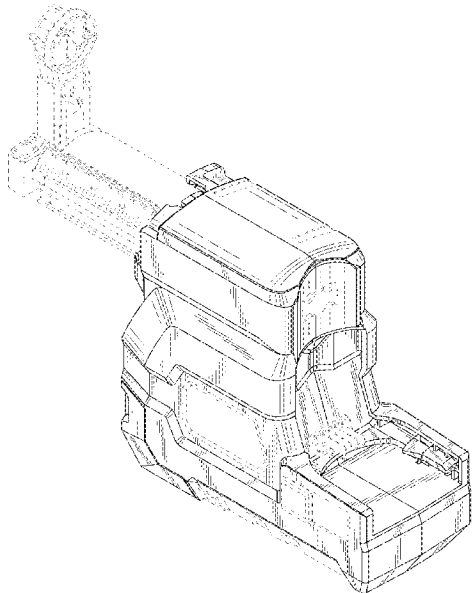
FIG. 1 is a front perspective view of a dust collector showing
our new design;
FIG. 2 is a left side view of the dust collector of FIG. 1.
FIG. 3 is a right side view of the dust collector of FIG. 1.
FIG. 4 is a top view of the dust collector of FIG. 1.
FIG. 5 is a bottom view of the dust collector of FIG. 1.
FIG. 6 is a front view of the dust collector of FIG. 1; and,
FIG. 7 is a rear view of the dust collector of FIG. 1.
The portions of the dust collector shown in broken lines are
included for the purpose of illustrating environment and form
no part of the claimed design.

(56) **References Cited**

U.S. PATENT DOCUMENTS

2,144,586 A 1/1939 Kelley
2,246,916 A 6/1941 Fischer
2,339,324 A 1/1944 Fischer
2,702,181 A 2/1955 Brown et al.
3,368,633 A 2/1968 Moates
3,511,322 A 5/1970 Bixby et al.
3,776,647 A 12/1973 Hart

1 Claim, 5 Drawing Sheets



(56)

References Cited

U.S. PATENT DOCUMENTS

4,097,176 A	6/1978	Wanner et al.	7,802,505 B2	9/2010	Hetcher et al.
4,192,390 A	3/1980	Wanner et al.	7,854,054 B2	12/2010	Kopras et al.
4,207,953 A	6/1980	Reibetanz et al.	7,871,463 B2	1/2011	Hayama et al.
4,209,069 A	6/1980	Smith	7,875,094 B2	1/2011	Baumann et al.
4,250,971 A	2/1981	Reibetanz et al.	7,909,114 B2	3/2011	Nishikawa et al.
4,361,957 A	12/1982	Krötz et al.	7,938,873 B2	5/2011	Fritz et al.
4,754,579 A	7/1988	Batt	7,976,364 B2	7/2011	Roehm
5,090,499 A	2/1992	Cuneo	8,070,845 B2	12/2011	Roehm
5,129,467 A	7/1992	Watanabe et al.	8,113,747 B2	2/2012	Miyanaga
5,199,174 A	4/1993	Wild	8,118,520 B2	2/2012	Hintze et al.
5,199,501 A	4/1993	Klüber et al.	8,152,602 B2	4/2012	Guth
D342,431 S *	12/1993	Swigonski	8,156,609 B2	4/2012	Milne et al.
5,349,752 A	9/1994	Stirm	8,161,652 B2	4/2012	Delfini et al.
5,467,835 A	11/1995	Obermeier et al.	8,172,642 B2	5/2012	King et al.
5,688,082 A	11/1997	Richardson	8,186,453 B2	5/2012	Furusawa et al.
D392,531 S *	3/1998	Richardson	D663,184 S *	7/2012	Wait
5,765,654 A	6/1998	Burger	8,210,273 B2	7/2012	Suzuki et al.
D407,617 S *	4/1999	Cooper et al.	8,210,710 B2	7/2012	Koch et al.
5,899,644 A	5/1999	Buck et al.	8,240,874 B2	8/2012	Koch et al.
5,904,453 A	5/1999	Gavia	8,281,695 B2	10/2012	Saari et al.
5,993,122 A	11/1999	Baker	8,342,782 B2	1/2013	Nishikawa et al.
6,053,674 A	4/2000	Thompson	8,344,648 B2	1/2013	Straub
6,146,066 A	11/2000	Yelton	D677,545 S *	3/2013	Sell
6,199,644 B1	3/2001	Thanner et al.	D677,548 S *	3/2013	Rosenau et al.
6,200,075 B1	3/2001	Gaskin et al.	D678,028 S *	3/2013	Rosenau et al.
6,376,942 B1	4/2002	Burger et al.	8,395,066 B2	3/2013	Koch et al.
6,443,676 B1	9/2002	Kopras	8,397,342 B2	3/2013	Baker et al.
6,448,732 B1	9/2002	Block	8,398,457 B2	3/2013	King et al.
6,514,131 B1	2/2003	Reich et al.	8,409,310 B2	4/2013	Despineux et al.
6,615,930 B2	9/2003	Bongers-Ambrosius et al.	8,424,615 B2	4/2013	Baumann et al.
6,621,225 B2	9/2003	Bruwer	8,443,914 B2	5/2013	Bito et al.
6,641,634 B2	11/2003	Reich et al.	D687,195 S *	7/2013	Sell
6,650,066 B2	11/2003	Bruwer	8,479,964 B2	7/2013	Furusawa et al.
6,683,396 B2	1/2004	Ishida et al.	2001/0052429 A1	12/2001	Frenzel et al.
6,727,679 B2	4/2004	Kovarik et al.	2002/0129949 A1	9/2002	Bongers-Ambrosius et al.
D499,625 S *	12/2004	Stirm	2002/0154960 A1	10/2002	Lin
D499,946 S *	12/2004	Stirm	2003/0044247 A1	3/2003	Wolfe
6,848,985 B2	2/2005	Lamprecht et al.	2004/0060719 A1	4/2004	Wiborg
6,851,898 B2	2/2005	Ege et al.	2004/0192184 A1 *	9/2004	Staas et al.
6,854,937 B1	2/2005	Weiss	2005/0000052 A1 *	1/2005	Byles
6,854,938 B2	2/2005	Kopras et al.	2006/0178087 A1	8/2006	Wuensch et al.
6,887,146 B2	5/2005	Staas et al.	2006/0276116 A1	12/2006	Reich et al.
6,910,960 B2	6/2005	Reich et al.	2007/0264091 A1 *	11/2007	Bleicher et al.
6,951,439 B2	10/2005	Arich	2008/0020686 A1	1/2008	Reich et al.
D513,161 S *	12/2005	Chilton	2008/0124181 A1	5/2008	Hintze et al.
7,017,680 B2	3/2006	Arich et al.	2008/0169114 A1	7/2008	Wuensch et al.
7,047,647 B1	5/2006	Müller et al.	2009/0000256 A1	1/2009	Hesse et al.
7,064,520 B2	6/2006	Heigl et al.	2009/0091277 A1	4/2009	Ontl
7,084,531 B2	8/2006	Bruwer	2009/0136309 A1	5/2009	Coulston et al.
7,118,609 B2	10/2006	Valentini	2009/0148246 A1	6/2009	Nishikawa et al.
7,182,150 B2	2/2007	Grossman	2009/0148248 A1	6/2009	Nishikawa et al.
7,220,088 B2	5/2007	Ferrari et al.	2010/0000386 A1	1/2010	Dagn
7,265,494 B2	9/2007	Bruwer	2010/0170538 A1 *	7/2010	Baker et al.
7,281,886 B2	10/2007	Stoerig	2010/0175902 A1	7/2010	Rejman et al.
7,291,940 B2	11/2007	Bruwer	2010/0197209 A1	8/2010	Dehde et al.
7,323,023 B2	1/2008	Michele et al.	2010/0215450 A1	8/2010	Santamarina et al.
7,325,273 B2	2/2008	Thanner et al.	2010/0260565 A1	10/2010	Santamarina et al.
7,329,970 B2	2/2008	Bruwer	2010/0307308 A1	12/2010	Butler
7,347,651 B2	3/2008	Hintze et al.	2011/0008117 A1	1/2011	Kasuya et al.
7,354,226 B2	4/2008	Britz	2011/0008118 A1	1/2011	Yoshikane et al.
7,425,109 B2	9/2008	Simm et al.	2011/0079207 A1	4/2011	Guth
7,443,101 B2	10/2008	Bruwer	2011/0081214 A1	4/2011	Santamarina et al.
7,455,486 B2	11/2008	Britz	2011/0147031 A1	6/2011	Matthias et al.
7,475,739 B2	1/2009	Wuensch	2011/0160910 A1	6/2011	Preisinger et al.
D589,318 S *	3/2009	Meyer	2011/0198103 A1	8/2011	Suzuki
7,497,886 B2	3/2009	Walker	2011/0226499 A1	9/2011	Kakiuchi et al.
7,510,356 B2	3/2009	Colon	2012/0037391 A1	2/2012	Clabunde et al.
7,526,833 B2	5/2009	Cochran et al.	2012/0043101 A1	2/2012	Ishikawa et al.
D593,389 S *	6/2009	Clayton	2012/0051858 A1 *	3/2012	Everington, Jr.
7,553,217 B2	6/2009	Reich et al.	2012/0063856 A1	3/2012	Miwa et al.
7,634,835 B2	12/2009	Simm et al.	2012/0073077 A1	3/2012	Ishikawa et al.
7,712,183 B2	5/2010	Nakai et al.	2012/0080206 A1	4/2012	Walker
7,740,086 B2	6/2010	Bleicher et al.	2012/0159734 A1	6/2012	Fujiwara
7,740,523 B2	6/2010	Zaiser et al.	2012/0184193 A1	7/2012	Numata
7,794,184 B2	9/2010	Di Nicolantonio et al.	2012/0210535 A1	8/2012	Miwa et al.
			2012/0234570 A1 *	9/2012	Machida et al.
			2012/0252328 A1	10/2012	Muto et al.
			2012/0260456 A1	10/2012	King, Jr.
			2012/0262035 A1	10/2012	Takano et al.

(56)

References Cited

U.S. PATENT DOCUMENTS

2012/0268926 A1 10/2012 Steinicke et al.
 2012/0273243 A1 11/2012 Tada et al.
 2012/0274244 A1 11/2012 Funabashi et al.
 2012/0279740 A1 11/2012 Furusawa et al.
 2012/0285308 A1 11/2012 Koegel
 2012/0298391 A1 11/2012 Kakiuchi et al.
 2012/0308320 A1 12/2012 Tseng
 2012/0318553 A1* 12/2012 Chen et al. 173/198
 2013/0002175 A1 1/2013 Shimizu et al.
 2013/0015789 A1 1/2013 Miyazaki et al.
 2013/0019431 A1 1/2013 Vanderlinden
 2013/0025893 A1 1/2013 Ota et al.
 2013/0031879 A1 2/2013 Yoshikane et al.
 2013/0031881 A1 2/2013 Machida et al.
 2013/0033190 A1 2/2013 Bruwer
 2013/0034396 A1 2/2013 Witthoef
 2013/0055523 A1 3/2013 Yoshikane et al.
 2013/0055527 A1 3/2013 Machida et al.
 2013/0055866 A1 3/2013 Sheddy et al.
 2013/0068255 A1 3/2013 Heger
 2013/0081280 A1 4/2013 Moreno et al.
 2013/0087357 A1* 4/2013 King, Jr. 173/199
 2013/0094194 A1 4/2013 Koch et al.
 2013/0094915 A1 4/2013 Chen
 2013/0098346 A1 4/2013 South
 2013/0111695 A1 5/2013 Morgan et al.

2013/0136549 A1 5/2013 Appel et al.
 2013/0149056 A1* 6/2013 Appel 408/58
 2013/0161049 A1 6/2013 Ikuta et al.
 2013/0183111 A1 7/2013 Lerch et al.
 2013/0213683 A1* 8/2013 Brewster et al. 173/198

FOREIGN PATENT DOCUMENTS

EP 1340591 9/2003
 EP 1661662 5/2006
 EP 1714732 10/2006
 EP 1872899 1/2008
 EP 1872900 1/2008
 EP 1923149 5/2008
 EP 1923177 5/2008
 EP 2106327 10/2009
 EP 1990121 1/2010
 EP 1923174 5/2010
 EP 2324944 5/2011
 EP 2368666 9/2011

OTHER PUBLICATIONS

Hilti, "TE 6-A Operating Instructions" 332016/C (2002) 14 pages.
 Dewalt, "D25300DH Dust Extraction for L-Shape SDS Hammer"
 (2013) 1 page.
 Co-pending U.S. Appl. No. 29/479,361, filed Jan. 15, 2014.

* cited by examiner

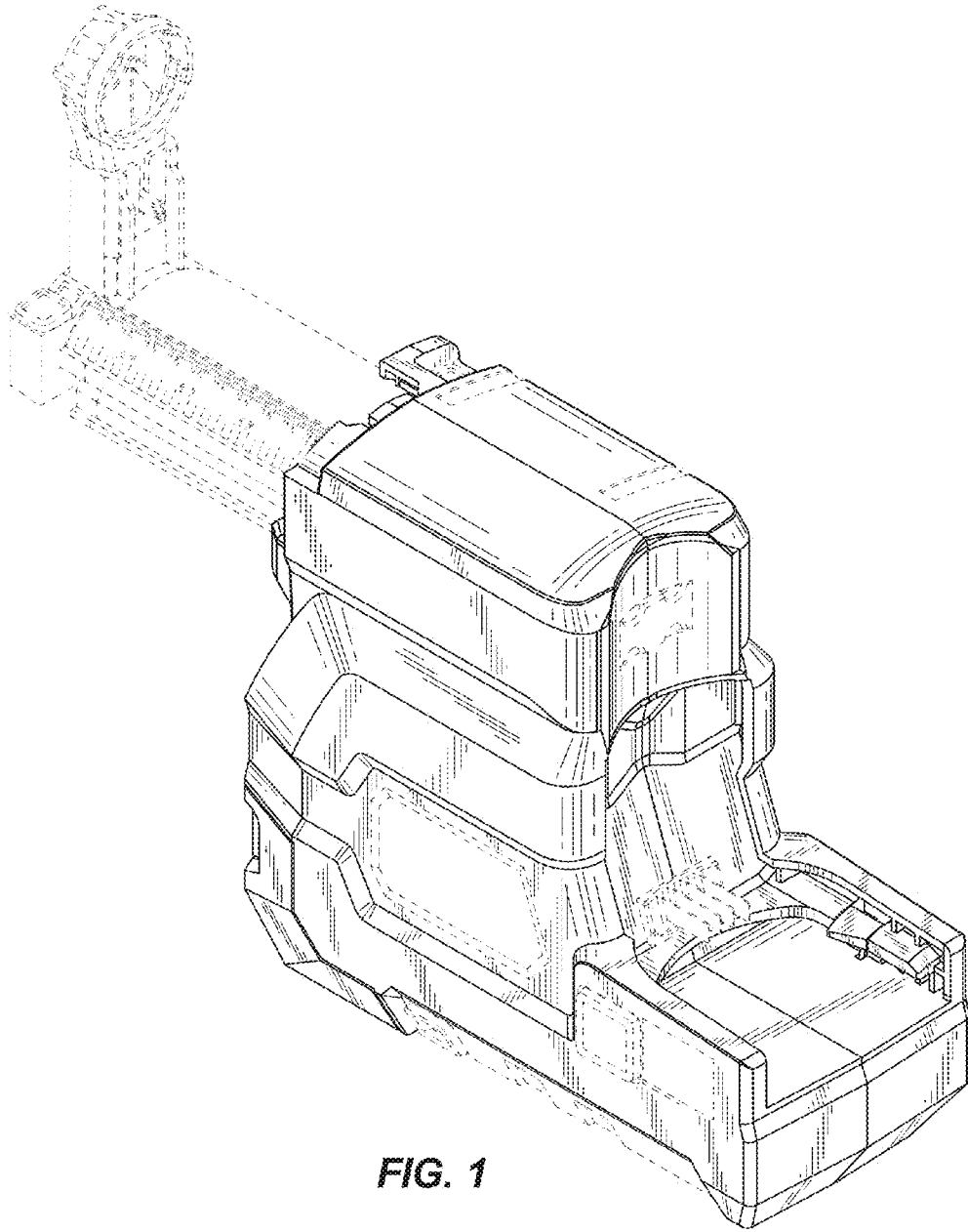


FIG. 1

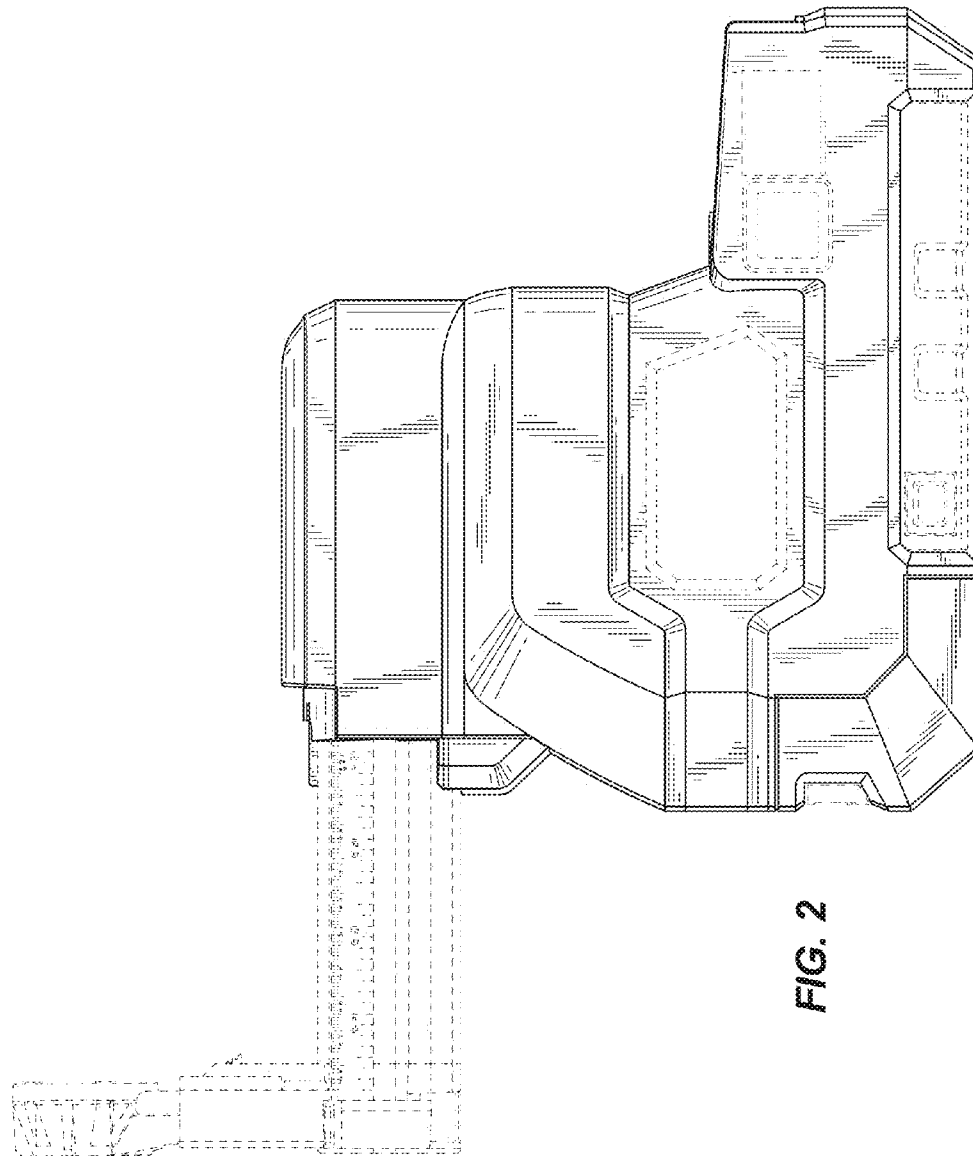


FIG. 2

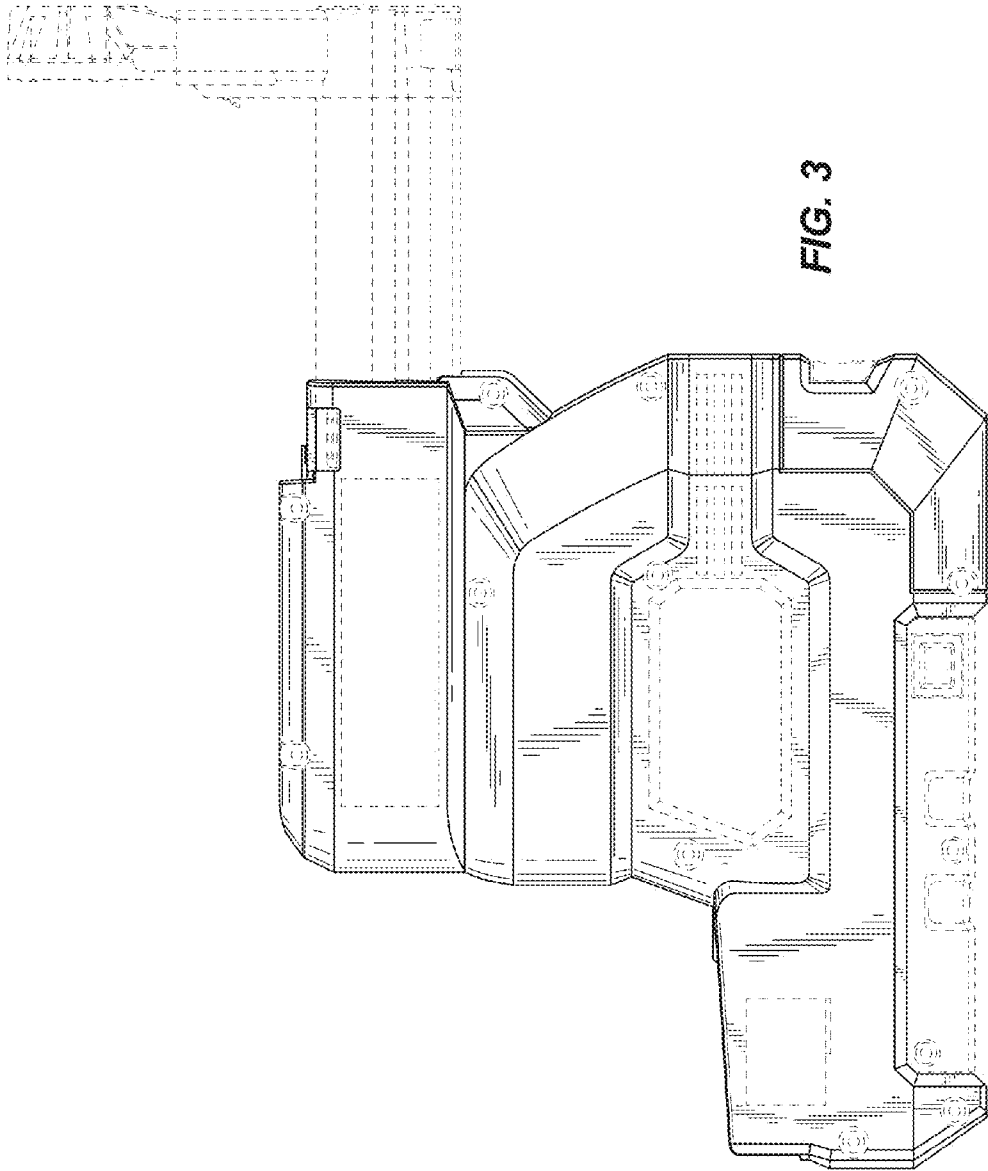


FIG. 3

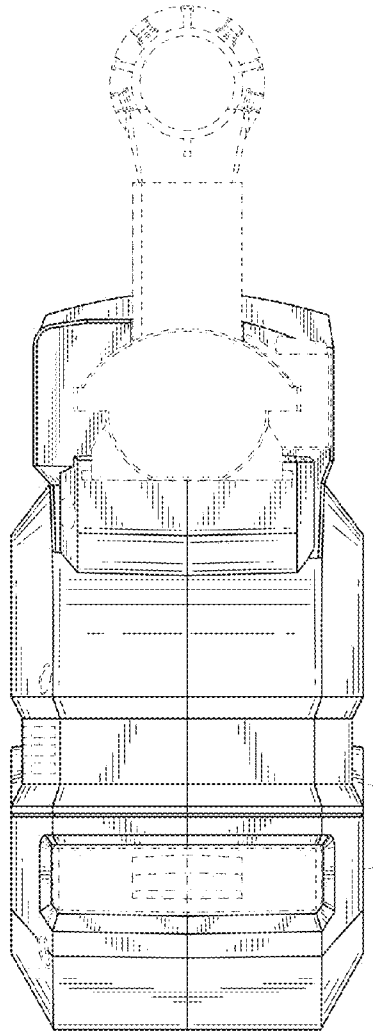


FIG. 4

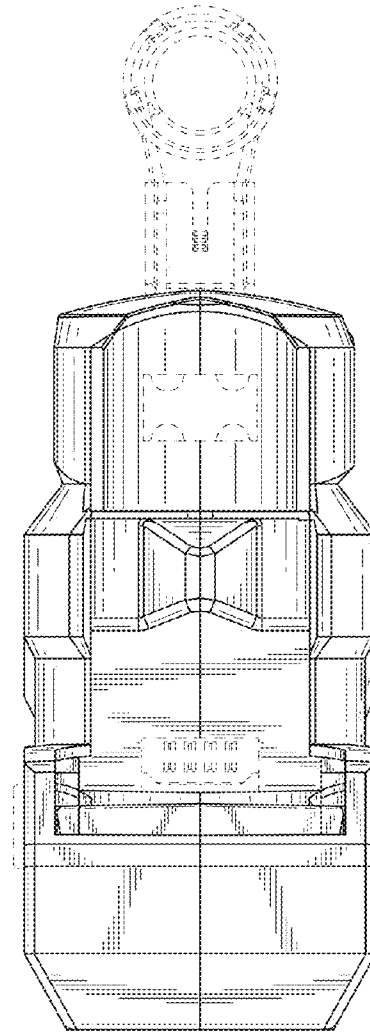


FIG. 5

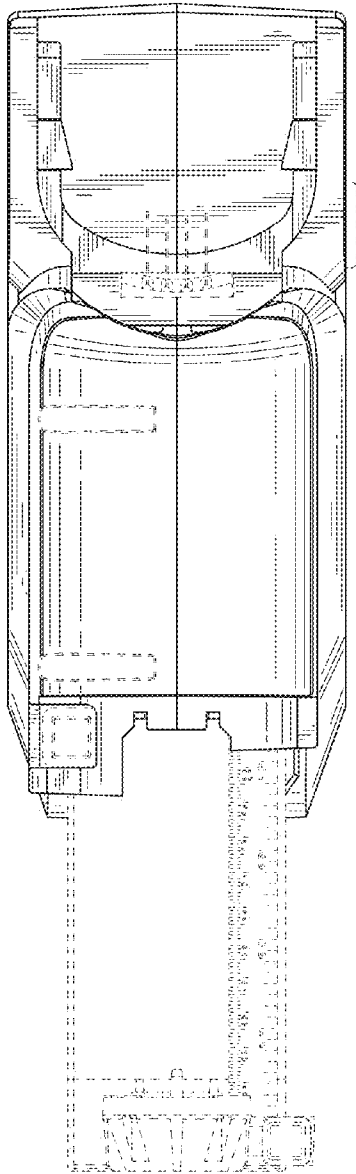


FIG. 6

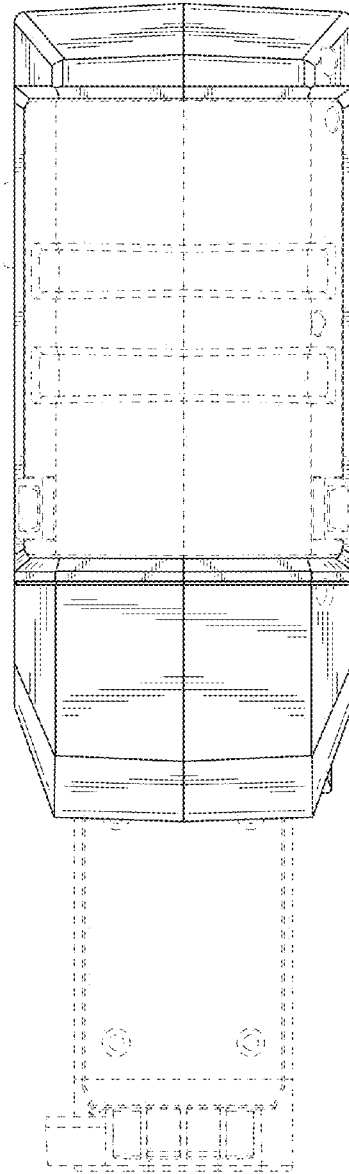


FIG. 7