



US00D586298S

(12) **United States Design Patent**  
**Kudo**

(10) **Patent No.:** **US D586,298 S**

(45) **Date of Patent:** **\*\* Feb. 10, 2009**

(54) **ELECTRICAL CONNECTOR HOUSING**

(75) Inventor: **Tsutomu Kudo**, Tsukuba (JP)

(73) Assignee: **Tyco Electronics AMP K.K.**, Kanagawa-ken (JP)

(\*\*) Term: **14 Years**

(21) Appl. No.: **29/302,566**

(22) Filed: **Jan. 18, 2008**

**Related U.S. Application Data**

(62) Division of application No. 29/258,741, filed on Apr. 26, 2006, now Pat. No. Des. 564,454.

**Foreign Application Priority Data**

Oct. 28, 2005 (JP) ..... 2005-031699

(51) **LOC (9) Cl.** ..... **13-03**

(52) **U.S. Cl.** ..... **D13/147**

(58) **Field of Classification Search** ..... D13/123,  
D13/133, 146-147, 154, 184, 199; 439/79,  
439/108, 278, 374, 377, 540.1, 541.5, 660,  
439/607-610, 682, 884, 894

See application file for complete search history.

**References Cited**

**U.S. PATENT DOCUMENTS**

D311,517 S	10/1990	Kameyama et al.
D316,703 S	5/1991	Eto et al.
5,645,436 A	7/1997	Shimizu et al.
D410,629 S	6/1999	Bandura et al.
D426,194 S	6/2000	Ko et al.
D459,704 S	7/2002	Chen
D463,370 S	9/2002	Chen
D463,776 S	10/2002	Chen
6,572,411 B1	6/2003	Aeschbacher et al.
6,666,727 B2	12/2003	Kunno et al.
6,863,549 B2	3/2005	Brunker et al.
D511,496 S	11/2005	Riku
D512,022 S	11/2005	Riku

D514,521 S	2/2006	Riku
D517,014 S	3/2006	Riku
D517,015 S	3/2006	Riku
D517,486 S	3/2006	Riku
D517,487 S	3/2006	Riku
D517,488 S	3/2006	Riku
D517,991 S	3/2006	Riku
D517,992 S	3/2006	Riku
D518,438 S	4/2006	Riku
D518,784 S	4/2006	Riku
D518,785 S	4/2006	Riku
D518,786 S	4/2006	Riku
D519,460 S	4/2006	Riku
D519,462 S	4/2006	Kudo
D520,454 S	5/2006	Riku

(Continued)

*Primary Examiner*—Daniel D Bui  
(74) *Attorney, Agent, or Firm*—Barley Snyder, LLC

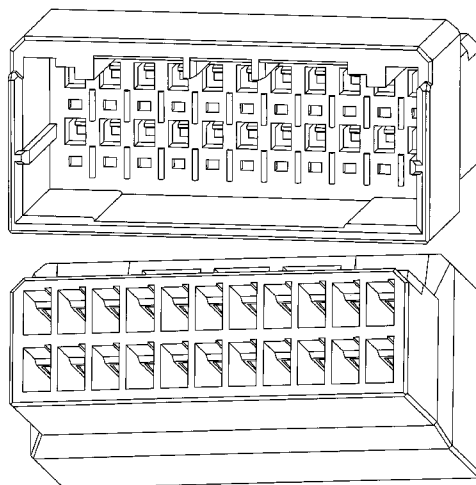
(57) **CLAIM**

The ornamental design for an electrical connector housing, as shown and described.

**DESCRIPTION**

FIG. 1 is a front elevation view of an electrical connector housing, showing my new design;  
FIG. 2 is a top plan view thereof;  
FIG. 3 is a bottom plan view thereof;  
FIG. 4 is a right side elevation view thereof;  
FIG. 5 is a left side elevation view thereof;  
FIG. 6 is a rear elevation view thereof;  
FIG. 7 is a top, front and right side perspective view thereof; and,  
FIG. 8 is a bottom, rear and left side perspective view thereof.  
The broken lines of the internal elements of the connector in FIGS. 1 and 6 are included to show unclaimed subject matter only and form no part of the claimed design.

**1 Claim, 8 Drawing Sheets**



# US D586,298 S

Page 2

---

## U.S. PATENT DOCUMENTS

D520,956 S	5/2006	Riku	D537,788 S	3/2007	Kudo
D523,399 S	6/2006	Sakamaki et al.	D538,230 S	3/2007	Kudo
D524,751 S	7/2006	Lee et al.	D538,231 S	3/2007	Kudo
D524,755 S	7/2006	Kudo	D542,736 S	5/2007	Riku
D525,941 S	8/2006	Kudo	D550,628 S	9/2007	Whiteman, Jr. et al.
D529,444 S	10/2006	Kudo	D552,556 S	10/2007	Sakamoto
			D552,557 S	10/2007	Sakamoto
			2007/0197063 A1	8/2007	Ngo et al.

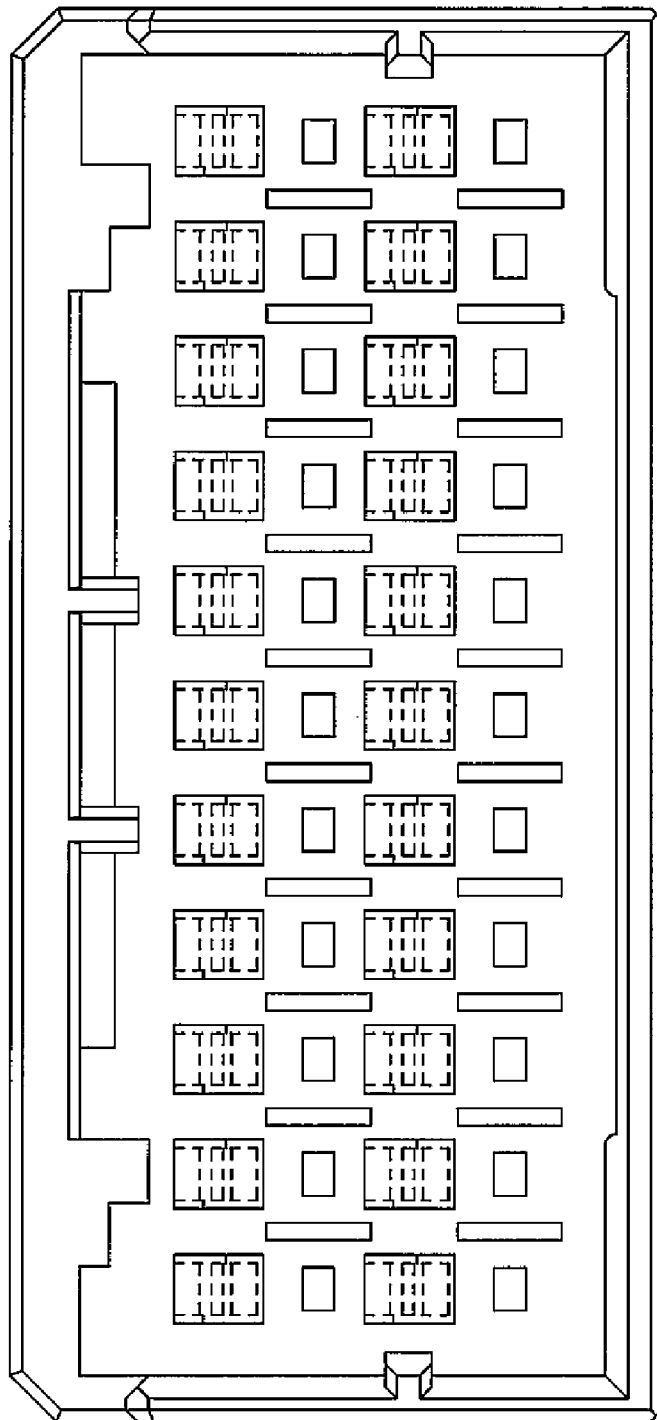


FIG.1

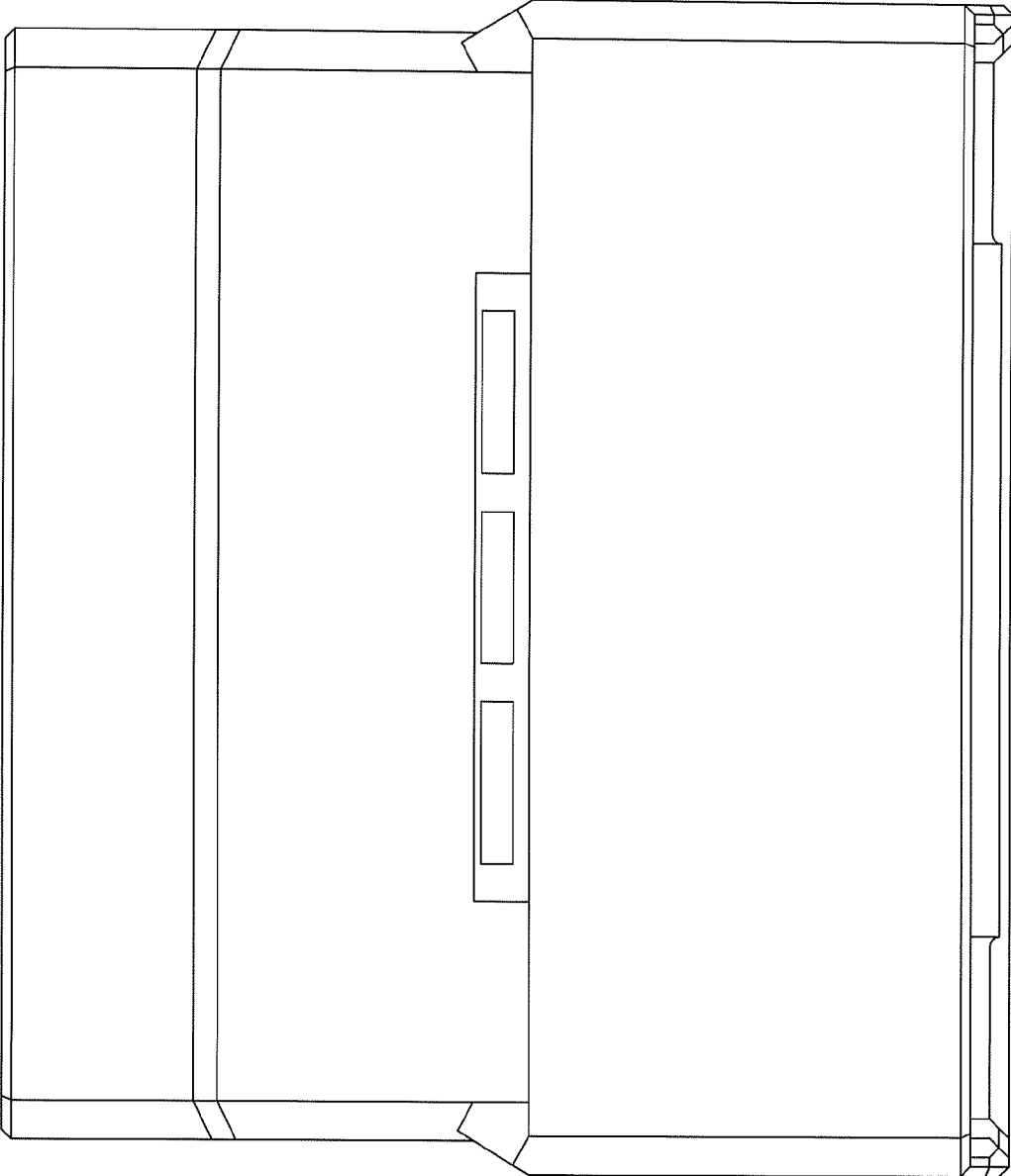


FIG.2

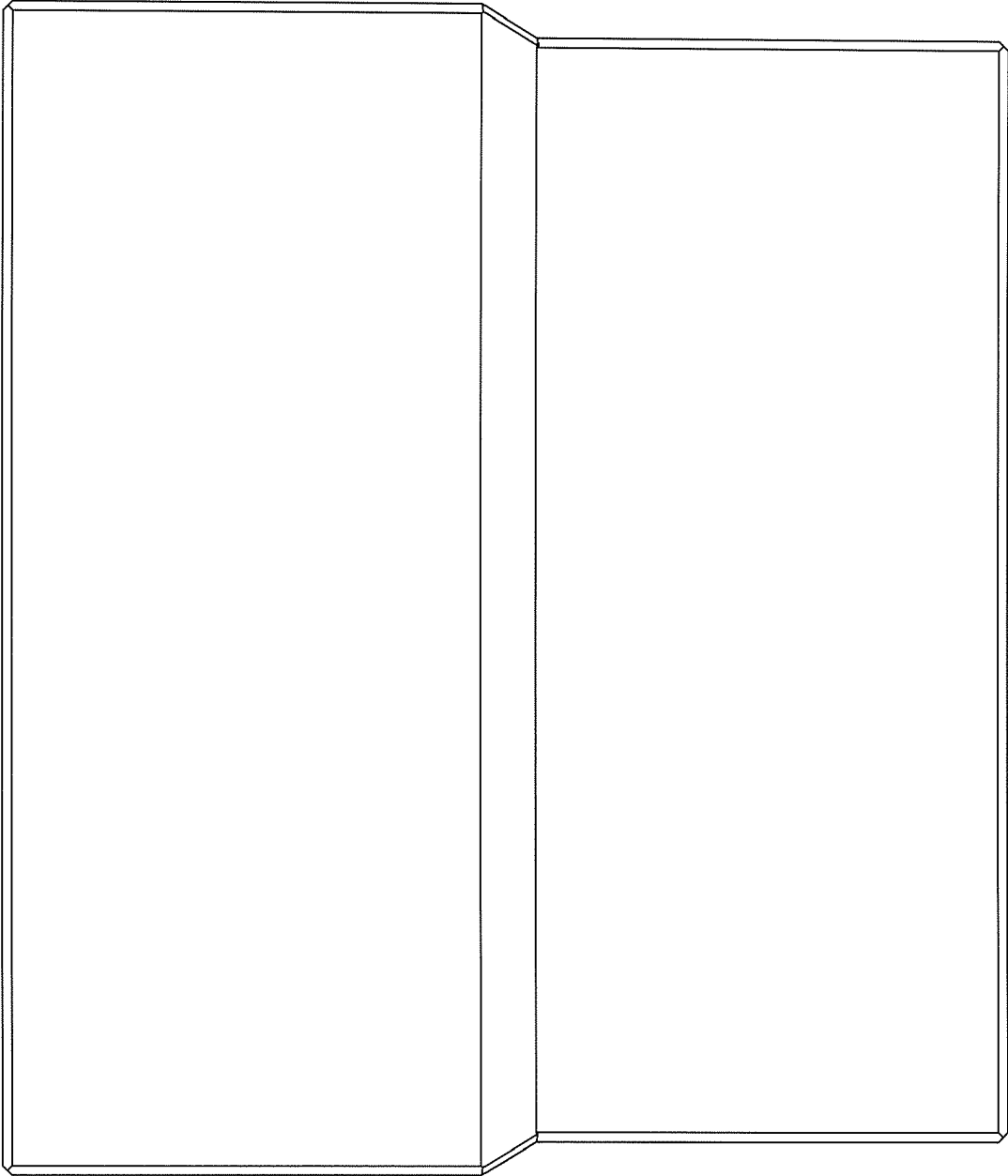


FIG.3

FIG.4

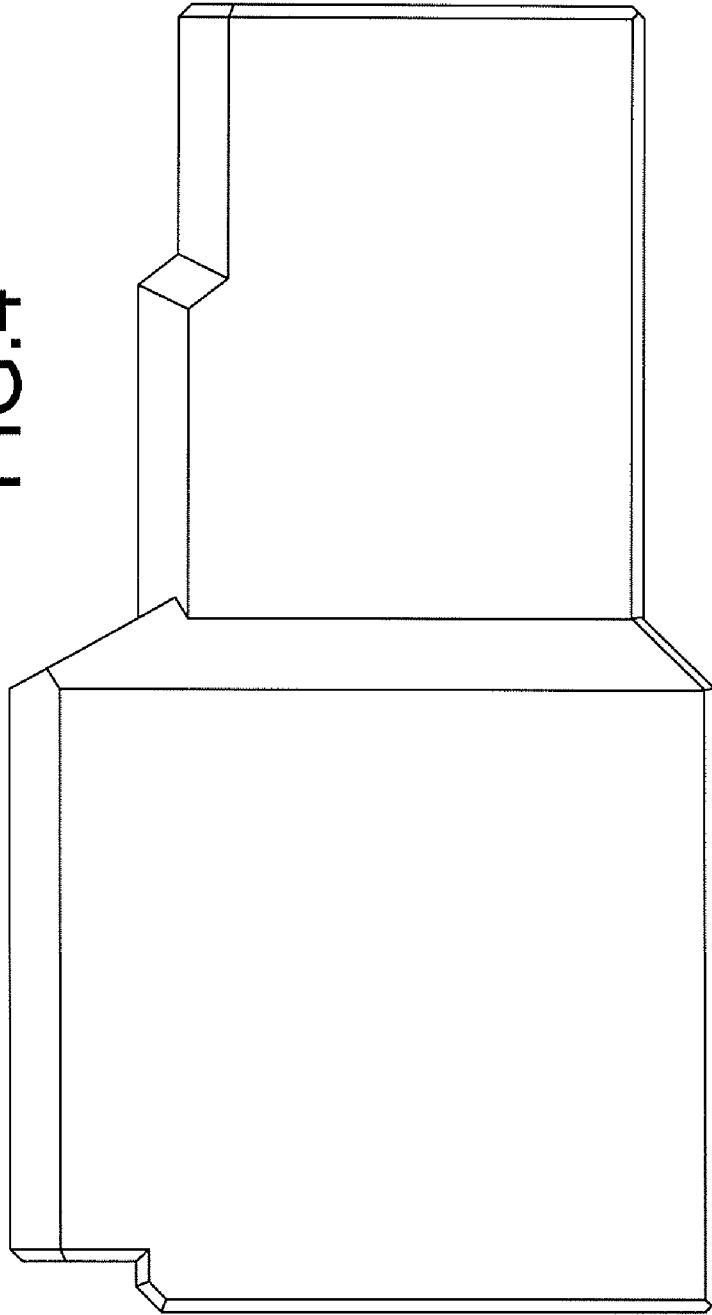
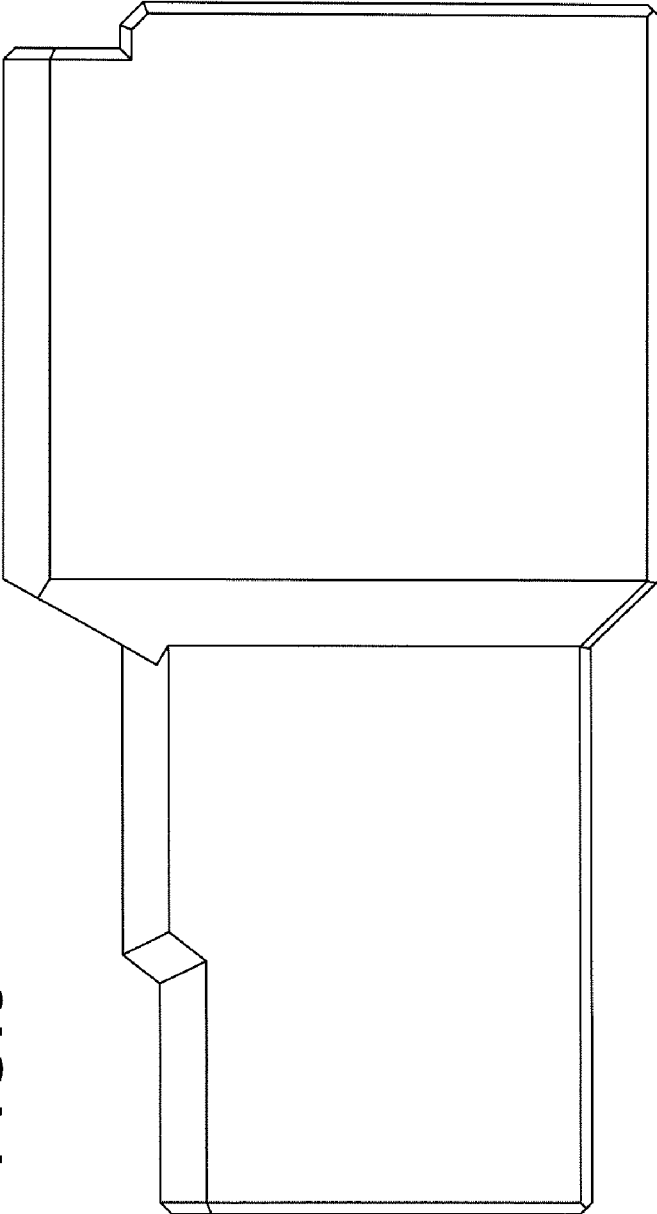


FIG. 5



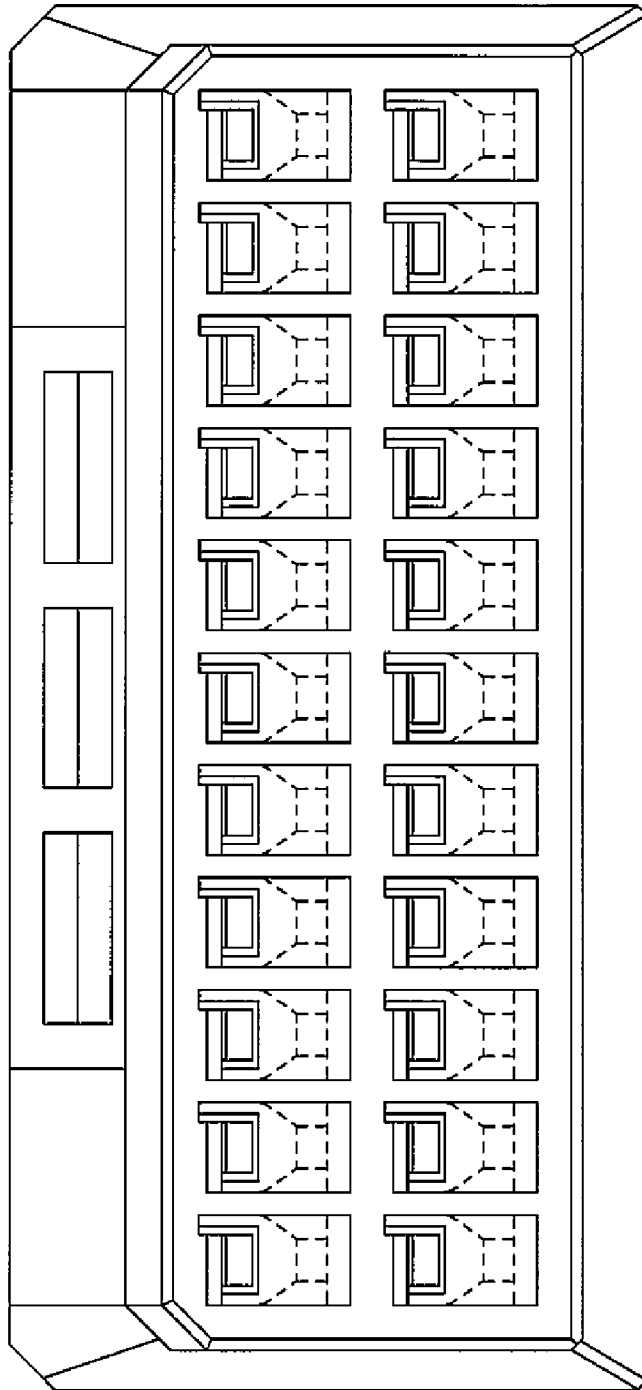


FIG.6

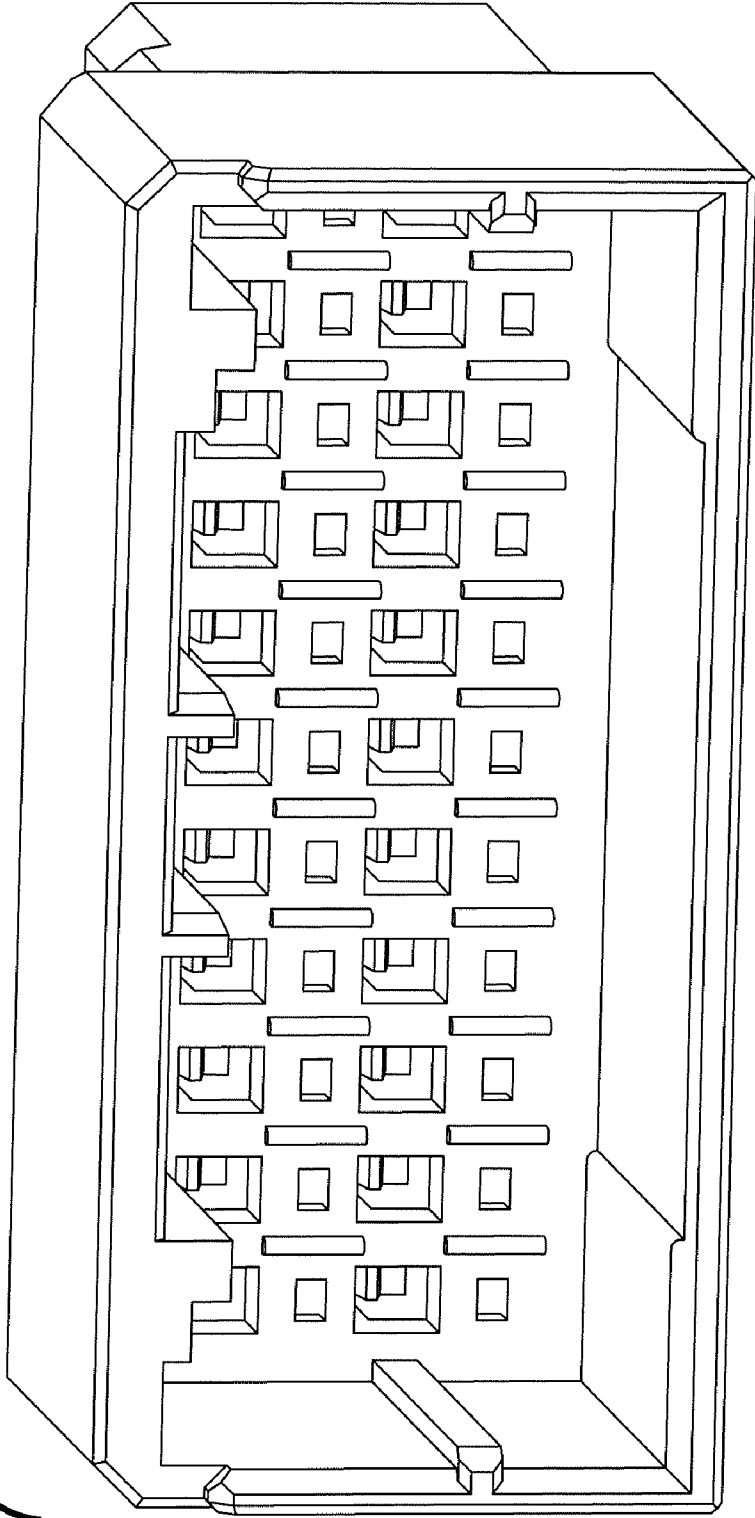


FIG.7

FIG.8

