

US00D549050S

(12) **United States Design Patent**  
**Spencer et al.**

(10) **Patent No.:** **US D549,050 S**

(45) **Date of Patent:** **\*\* Aug. 21, 2007**

(54) **BOWL AND LID**

(75) Inventors: **Mark E. Spencer**, Gurnee, IL (US);  
**Chadd R. Chatterton**, Kenosha, WI (US);  
**Thom Hayes**, McHenry, IL (US);  
**Wee Liong Phan**, Algonquin, IL (US);  
**Ronald G. Hellenbrand**, Middleton, WI (US)

(73) Assignee: **Pactiv Corporation**, Lake Forest, IL (US)

(\*\*) Term: **14 Years**

(21) Appl. No.: **29/238,971**

(22) Filed: **Sep. 23, 2005**  
(Under 37 CFR 1.47)

(51) **LOC (8) Cl.** ..... **07-01**

(52) **U.S. Cl.** ..... **D7/538; D7/629; D9/428; D9/429; D9/425**

(58) **Field of Classification Search** ..... **D7/500, D7/509, 524, 533, 538-549, 554.2, 554.4, D7/571, 584, 586, 587, 601-641, 701-708, D7/300, 302, 320, 352, 353, 361, 368, 392, D7/393, 307, 597, 551.2, 553.6, 318, 321; D9/423-433, 435, 443, 434, 452, 761; 206/557; 220/737, 4.23**

See application file for complete search history.

(56) **References Cited**

**U.S. PATENT DOCUMENTS**

933,881 A	9/1909	Brown	
D43,852 S	4/1913	Sanford	..... D7/565
D52,727 S	12/1918	Beiswanger	
1,507,685 A	9/1924	Robinson	
D69,040 S	12/1925	Loomis	..... D7/562
D69,929 S	4/1926	Zimmerman	..... D30/120
1,696,099 A	12/1928	Moore	
1,974,898 A	9/1934	Rutledge	
D108,209 S	2/1938	Kelly	

2,170,040 A 8/1939 Stuart  
2,179,188 A 11/1939 Kitselman  
D124,290 S 12/1940 Chaplin ..... D7/565

(Continued)

*Primary Examiner*—Philip S. Hyder  
*Assistant Examiner*—Cynthia Underwood  
(74) *Attorney, Agent, or Firm*—Baker Botts L.L.P.

(57) **CLAIM**

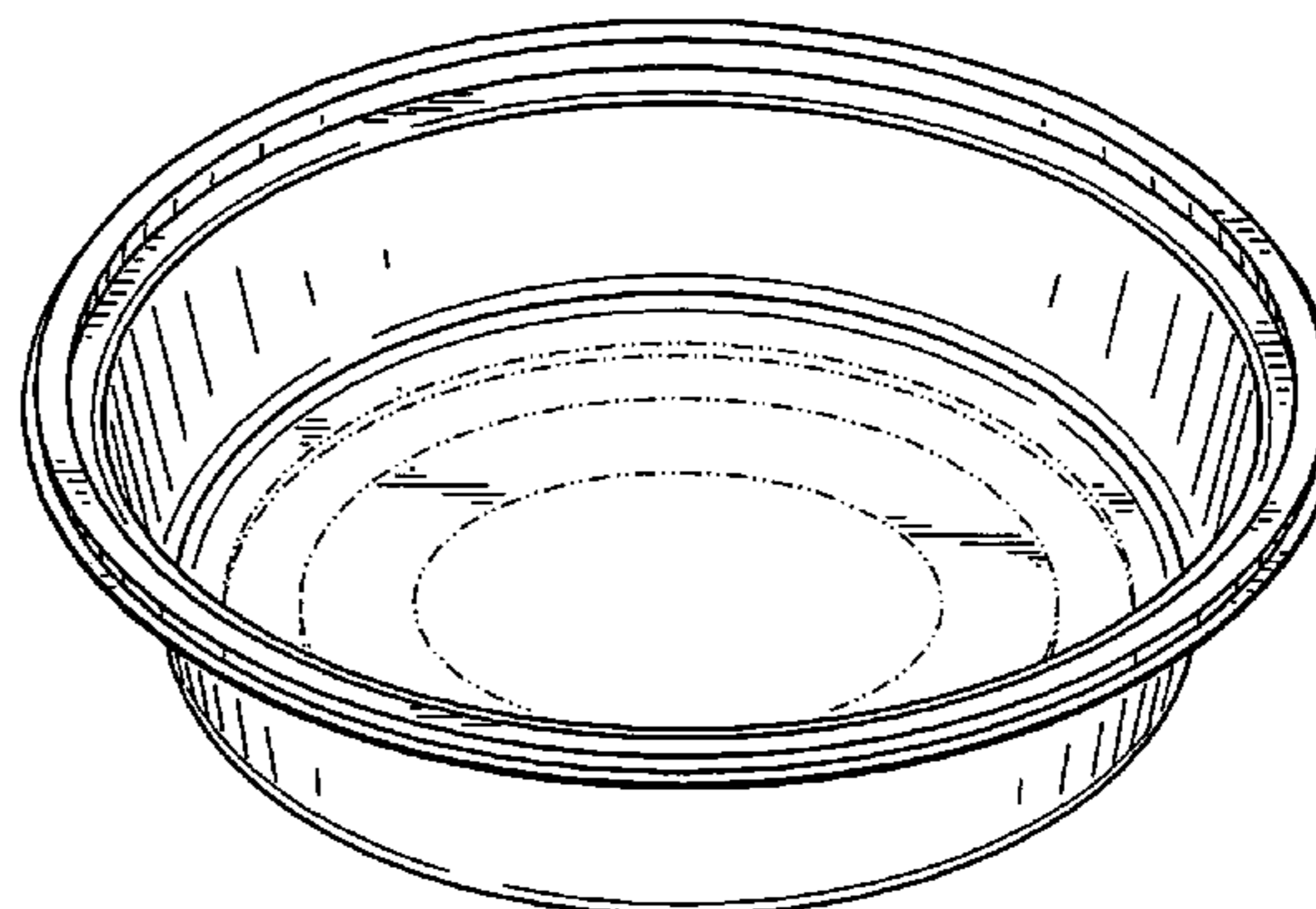
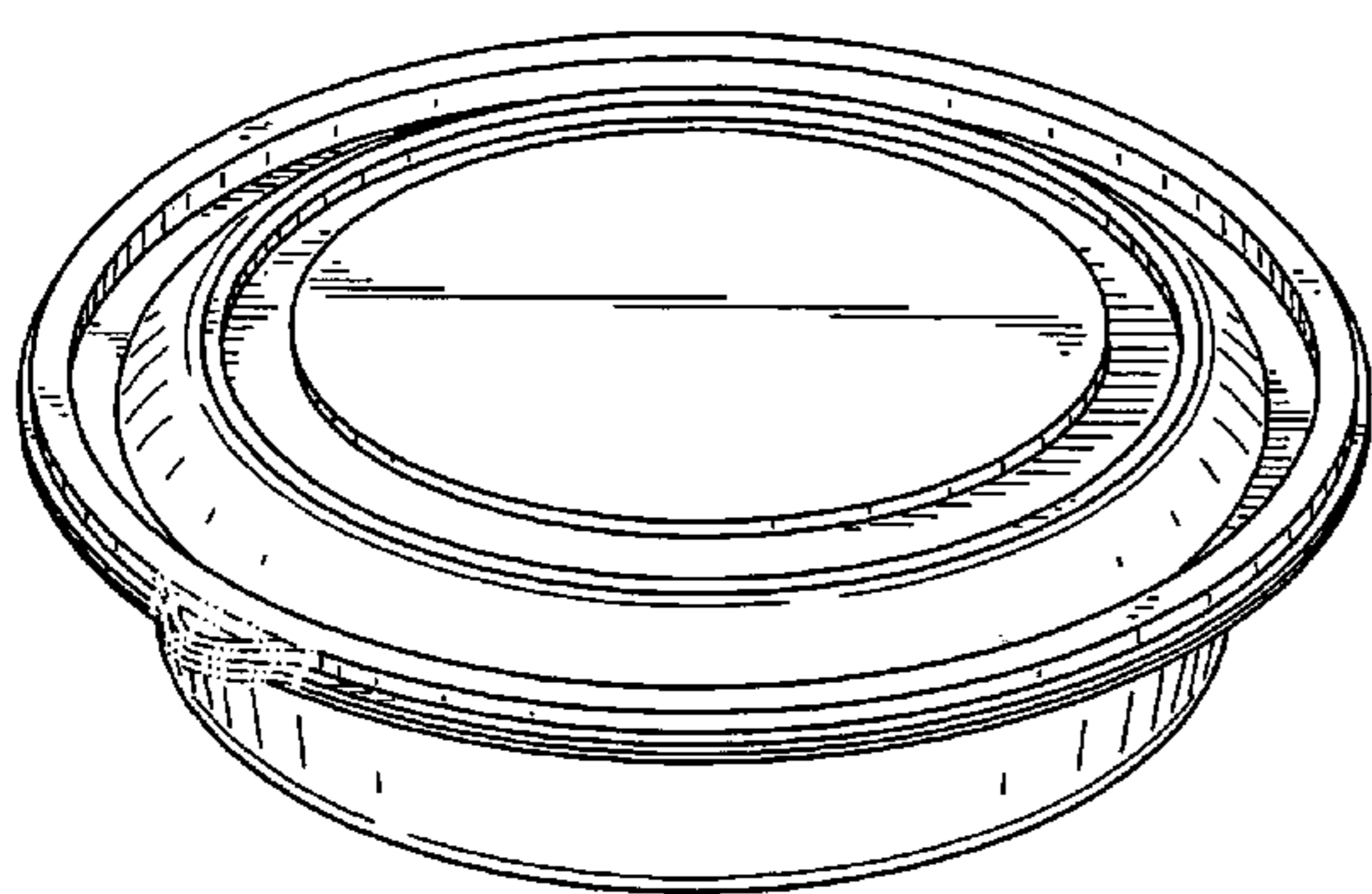
The ornamental design for a bowl and lid, as shown.

**DESCRIPTION**

FIG. 1 is a perspective view of a bowl and lid;  
FIG. 2 is a top view of the bowl and lid of FIG. 1;  
FIG. 3 is a side view of the bowl and lid of FIG. 1, the opposite side view being a mirror image thereof;  
FIG. 4 is a back view of the bowl and lid of FIG. 1;  
FIG. 5 is a bottom view of the bowl and lid of FIG. 1;  
FIG. 6 is a perspective view of the bowl of FIG. 1 without the lid;  
FIG. 7 is a top view of the bowl of FIG. 6;  
FIG. 8 is a side view of the bowl of FIG. 6, the opposite side view and back view being identical thereto;  
FIG. 9 is a bottom view of the bowl of FIG. 6;  
FIG. 10 is a perspective view of the lid of FIG. 1 without the bowl;  
FIG. 11 is a side view of the lid of FIG. 10, the opposite side view being a mirror image thereof;  
FIG. 12 is a back view of the lid of FIG. 10; and,  
FIG. 13 is a top view of the lid of FIG. 10.

The portions shown in phantom lines are not part of the claimed invention, but are included to show environment. The phantom lines illustrate features such as a circular bottom rib, a bottom depression, a pull tab and pull tab ridge.

**1 Claim, 7 Drawing Sheets**





# US D549,050 S

U.S. PATENT DOCUMENTS					
		4,362,252 A	12/1982	Graff .....	220/270
2,283,704 A	5/1942	Studel		1/1983	Chase et al.
2,550,815 A	5/1951	Inwood		3/1983	Kurinsky et al. ....
D164,407 S	9/1951	Cowan .....	D7/565	5/1983	Letica
D174,832 S	5/1955	Nowak .....	D7/545	5/1983	Arndt et al.
2,811,152 A	10/1957	Wicks		7/1983	Commisso
3,037,677 A	6/1962	Debs		9/1983	Husted
D195,699 S	7/1963	Bostrom		11/1983	Sun .....
3,099,377 A	7/1963	Metzler et al.		12/1983	Knutson
D197,310 S	1/1964	Butzko		12/1983	Knutson
3,126,582 A	3/1964	Scott		1/1984	Sleith
3,183,291 A	5/1965	Miller et al.		2/1984	Chase et al.
3,229,886 A	1/1966	Grogel		4/1984	Myers et al.
3,284,553 A	11/1966	Edwards		5/1984	Daines
3,293,697 A	12/1966	Balint		8/1984	Durand
3,337,664 A	8/1967	Lyon		9/1984	Picozza
3,474,929 A	10/1969	Harker		10/1984	Weil
3,530,537 A	9/1970	Walker		1/1985	Baillod .....
3,551,954 A	1/1971	Knowles		3/1985	Luther et al.
3,598,278 A	8/1971	Vann, Jr.		4/1985	Knutson
3,625,305 A	12/1971	Mueller et al. ....	182/46	7/1985	Jagger
3,703,255 A	11/1972	Wade		7/1985	Pozzi
3,737,068 A	6/1973	Bird .....	220/60	8/1985	Morioka et al.
3,794,090 A	2/1974	Commisso .....	150/0.05	8/1985	Terauds .....
D235,302 S	6/1975	Lanigan		9/1985	Knutson
3,902,540 A	9/1975	Commisso .....	220/4.24	9/1985	Schrage
D237,689 S	11/1975	Davis		9/1985	Laslo
3,955,710 A	5/1976	Commisso .....	220/784	9/1985	Knutson
3,967,991 A	7/1976	Shimano et al.		12/1985	Unger
3,988,191 A	10/1976	Matsui		4/1986	Daenen .....
3,995,763 A	12/1976	Ayres et al.		4/1986	Durand
D242,972 S	1/1977	Day		6/1986	Durand .....
D243,428 S	2/1977	Thrush		9/1986	Grange .....
D243,429 S	2/1977	Thrush		9/1986	Padovani
D243,430 S	2/1977	Thrush		10/1986	Carlson
D244,246 S	5/1977	Daenen		11/1986	Daenen et al.
D244,338 S	5/1977	Yauger		11/1986	Daenen et al.
D244,415 S	5/1977	Daenen		12/1986	Von Holdt
D244,573 S	6/1977	Thrush		2/1987	Fox et al.
D244,742 S	6/1977	Daenen		6/1987	Durand
D246,026 S	10/1977	Stahel		9/1987	Alexander et al.
4,060,577 A	11/1977	Collins		10/1987	Thrush
4,073,609 A	2/1978	Petrenchik		11/1987	James .....
D248,006 S	5/1978	Christian		11/1987	Gage .....
D248,076 S	6/1978	Christian		12/1987	Finsilver
D248,359 S	7/1978	Meyer		5/1988	Michaud et al. ....
4,108,347 A	8/1978	Amberg		6/1988	Guillin .....
D249,234 S	9/1978	Limon et al.		7/1988	Miller
D249,439 S	9/1978	Benes et al.		10/1988	Perry
4,113,824 A	9/1978	Matsui et al.		1/1989	Meyers .....
4,121,402 A	10/1978	Cress et al.		4/1989	Marshall
D250,382 S	11/1978	Benes et al.		9/1989	Terauds .....
4,127,378 A	11/1978	Meadors		10/1989	Gabayno .....
D250,929 S	1/1979	Gerstman et al.		10/1989	Kiefer
D250,930 S	1/1979	Franklin		10/1989	Wagner .....
D251,713 S	5/1979	Brody		11/1989	Schubert et al.
4,157,762 A	6/1979	Robinson .....	220/1	12/1989	Natori .....
D253,272 S	10/1979	Ottier		1/1990	Harris et al.
4,197,940 A	4/1980	DeRossett .....	206/46.32	4/1990	Borst .....
4,202,464 A	5/1980	Mohs et al. ....	220/339	6/1990	Cyr et al.
D255,199 S	6/1980	Gruber		6/1990	Borst et al. ....
4,219,119 A	8/1980	Zefran .....	206/457	8/1990	Bruml et al. ....
D257,654 S	12/1980	Campana et al.		9/1990	Levine .....
D259,009 S	4/1981	Connolly et al.		10/1990	Alexander .....
D259,543 S	6/1981	Commisso et al.		10/1990	Anderson .....
4,281,979 A	8/1981	Doherty et al.		11/1990	Antoni et al. ....
4,286,766 A	9/1981	von Holdt		11/1990	Antoni et al. ....
D262,944 S	2/1982	Commisso		12/1990	de Winter .....
D263,023 S	2/1982	Commisso		12/1990	Kidd et al. ....
D263,668 S	4/1982	Knutson		1/1991	Oropeza .....
D266,818 S	11/1982	Trombly		4/1991	Anderson .....
4,359,160 A	11/1982	Myers et al.		5/1991	Inzinna et al.
		5,046,659 A	9/1991	Warburton .....	229/2.5



# US D549,050 S

D320,532 S	10/1991	Zielinski et al. ....	D7/560	5,657,873 A	8/1997	Hustad et al. ....	206/764
D320,533 S	10/1991	Zielinski et al. ....	D7/560	5,657,874 A	8/1997	Hustad et al. ....	206/764
D320,534 S	10/1991	Finney et al. ....	D7/560	D383,646 S	9/1997	Jeppesen et al. ....	D7/584
D322,737 S	12/1991	Unger .....	D7/545	D384,551 S	10/1997	Ahern, Jr. ....	D7/392.1
D323,097 S	1/1992	Picozza .....	D7/542	D384,554 S	10/1997	Ancona et al. ....	D7/505
D324,324 S	3/1992	Picozza .....	D7/565	D385,461 S	10/1997	Cousins .....	D7/538
D325,492 S	4/1992	Fabricius .....	D7/540	5,693,388 A	12/1997	Castner et al.	
5,118,277 A	6/1992	Padovani		5,695,798 A	12/1997	Rozzano .....	426/115
D328,705 S	8/1992	Krupa .....	D9/420	D389,056 S	1/1998	Hayes et al. ....	D9/435
D329,198 S	9/1992	Krupa .....	D9/423	D389,061 S *	1/1998	Ebrahim et al. ....	D9/452
D329,572 S	9/1992	Krupa .....	D7/542	D391,118 S	2/1998	Jorgensen .....	D7/586
5,169,023 A	12/1992	Heiberg et al. ....	220/574	D391,850 S	3/1998	Krupa et al. ....	D9/429
D332,892 S	2/1993	Sun .....	D7/540	D392,159 S	3/1998	Longstreth .....	D7/610
D335,085 S	4/1993	Wacker .....	D9/504	D392,881 S	3/1998	Bulcher et al. ....	D9/425
5,220,999 A	6/1993	Goulette .....	206/45.23	5,730,313 A	3/1998	Hayes et al. ....	220/526
D337,696 S	7/1993	Sun .....	D7/538	D401,475 S	11/1998	Ritchey .....	D7/543
D338,375 S	8/1993	Andress .....	D7/565	D402,506 S	12/1998	Chilewich .....	D7/558
5,266,763 A	11/1993	Colombo .....	219/10.55	D402,507 S	12/1998	Chilewich .....	D7/358
5,269,430 A	12/1993	Schlaupitz et al. ....	220/4.23	D402,511 S	12/1998	Chilewich .....	D7/584
D343,376 S	1/1994	Killian .....	D9/423	D402,852 S	12/1998	Benson .....	D7/545
D343,576 S	1/1994	Krupa .....	D9/423	D404,258 S	1/1999	Indeiku .....	D7/585
D344,210 S	2/1994	Cousins et al. ....	D7/538	D404,614 S	1/1999	Indeiku .....	D7/588
D344,211 S	2/1994	Froger .....	D7/565	5,860,530 A	1/1999	Simmons et al.	
D344,660 S	3/1994	Krupa .....	D7/629	D406,986 S	3/1999	Lewis .....	D7/558
D344,875 S	3/1994	Pomroy et al. ....	D7/552	D407,266 S	3/1999	Silva .....	D7/392.1
D345,894 S	4/1994	Krupa .....	D7/552	D409,909 S	5/1999	Hayes et al. ....	D9/429
D345,912 S	4/1994	Krupa .....	D9/429	D411,078 S	6/1999	Cornelissen .....	D7/586
D349,005 S	7/1994	Cousins et al. ....	D7/543	D411,288 S	6/1999	Cuttriss .....	D23/284
D349,213 S	8/1994	Cousins et al. ....	D7/543	D413,230 S	8/1999	Horvat .....	D7/558
D351,968 S	11/1994	Zivin .....	D7/564	D413,489 S	9/1999	Miller .....	D7/602
D351,999 S	11/1994	Krupa .....	D9/423	D414,413 S	9/1999	Brown .....	D9/429
D352,207 S	11/1994	Jaworski .....	D7/585	5,947,321 A	9/1999	Vadney	
5,368,469 A	11/1994	Ekkert		D414,657 S	10/1999	Sgro .....	D7/564
D353,230 S	12/1994	Reusche et al. ....	D30/123	D415,025 S	10/1999	McCann .....	D9/429
D353,327 S	12/1994	Castner et al.		D415,385 S	10/1999	Loew et al. ....	D7/392.1
D353,518 S	12/1994	Cautereels et al. ....	D7/560	D415,657 S	10/1999	Cornelissen .....	D7/566
D353,519 S	12/1994	Wolfenden .....	D7/584	D415,933 S	11/1999	Cornelissen .....	D7/587
5,375,701 A	12/1994	Hustad et al. ....	206/45.18	D416,445 S	11/1999	Henry .....	D7/545
D354,436 S	1/1995	Krupa .....	D9/423	D416,760 S	11/1999	Horvat .....	D7/558
D354,884 S	1/1995	Carranza .....	D7/564	5,979,687 A	11/1999	Hayes et al.	
5,390,816 A	2/1995	Boyd .....	220/574	5,984,130 A	11/1999	Hayes et al.	
D356,010 S	3/1995	McEntee .....	D7/557	D417,817 S	12/1999	Loew et al. ....	D7/392.1
D358,091 S	5/1995	Warburton .....	D9/429	D419,382 S	1/2000	Horvat .....	D7/558
5,413,239 A	5/1995	Rider, Jr. ....	220/339	6,010,062 A	1/2000	Shimono	
5,423,453 A	6/1995	Fritz .....	220/608	D420,285 S	2/2000	Sagan et al. ....	D9/429
5,425,467 A	6/1995	Feer et al. ....	220/281	D420,854 S	2/2000	Michaeli .....	D7/533.6
D360,112 S	7/1995	McEntee .....	D7/584	D420,857 S	2/2000	Loew et al. ....	D7/558
D361,696 S	8/1995	Wolfenden .....	D7/584	D421,549 S	3/2000	Hints .....	D7/555
5,441,166 A	8/1995	Lucas, Jr. et al. ....	220/306	D422,843 S	4/2000	Rashid .....	D7/555
D363,879 S	11/1995	Krupa et al. ....	D9/423	D422,907 S	4/2000	Sagan et al. ....	D9/428
D364,090 S	11/1995	Krupa .....	D9/429	D423,880 S	5/2000	Rashid .....	D7/545
D364,998 S	12/1995	Held .....	D7/545	D426,427 S	6/2000	Rubbright et al. ....	D7/565
5,497,894 A	3/1996	Krupa et al. ....	220/4.23	6,073,795 A	6/2000	Longstreth .....	220/574
D369,278 S	4/1996	Scialpi et al. ....	D7/579	D427,525 S	7/2000	Hayes et al. ....	D9/431
5,515,993 A	5/1996	McManus .....	220/339	D427,902 S *	7/2000	Hayes et al. ....	D9/425
D371,721 S	7/1996	Redmond et al. ....	D7/565	D428,777 S	8/2000	Hayes et al. ....	D7/629
D371,940 S	7/1996	Krupa .....	D7/549	D429,961 S	8/2000	Harris .....	D7/540
D371,964 S	7/1996	Krupa .....	D9/429	D431,419 S	10/2000	Greene .....	D7/538
D373,050 S	8/1996	Brewer et al. ....	D7/505	D432,360 S	10/2000	Greene .....	D7/543
5,542,565 A	8/1996	Hidalgo-Lopez .....	220/574	D432,362 S	10/2000	Fait .....	D7/562
D373,954 S	9/1996	Wolff .....	D9/429	D432,914 S	10/2000	Hayes et al. ....	D9/434
D374,820 S	10/1996	Knoss et al. ....	D9/429	D433,334 S *	11/2000	Hayes et al. ....	D9/452
D375,683 S	11/1996	Schoff .....	D9/429	D433,600 S	11/2000	Hollinger .....	D7/565
D376,314 S	12/1996	Krupa .....	D9/425	D434,604 S	12/2000	Littlejohn et al. ....	D7/545
D376,954 S	12/1996	Burns et al. ....	D7/560	D434,945 S	12/2000	Godwin .....	D7/546
D376,960 S	12/1996	Ferris .....	D7/629	6,168,044 B1 *	1/2001	Zettle et al. ....	220/784
D377,450 S	1/1997	Krupa et al. ....	D9/425	D439,160 S	3/2001	Abayhan et al. ....	D9/429
D378,192 S	2/1997	Krupa et al. ....	D9/425	D440,829 S	4/2001	Brown .....	D7/629
D378,886 S	4/1997	Joyce .....	D7/585	D444,382 S	7/2001	Hayes et al. ....	D9/452
5,637,332 A	6/1997	Ridout		D445,310 S	7/2001	Brown .....	D7/629
D380,381 S	7/1997	Krupa et al. ....	D9/425	6,261,504 B1	7/2001	Baker et al.	
D381,563 S	7/1997	Longstreth .....	D7/610	D447,910 S	9/2001	Brown .....	D7/396.1
D382,796 S	8/1997	Mangla .....	D9/429	D449,522 S	10/2001	Brown .....	D9/425

# US D549,050 S

Page 4

---

D450,537 S	11/2001	Hayes	.....	D7/538	D483,222 S	12/2003	Willis	.....	D7/392.1
D450,580 S *	11/2001	Littlejohn et al.	.....	D9/429	D484,412 S	12/2003	Willis	.....	D9/454
D457,037 S	5/2002	Hayes	.....	D7/584	D485,470 S	1/2004	Willis	.....	D7/429
D457,781 S	5/2002	Brown	.....	D7/396.1	D485,755 S	1/2004	Isler et al.	.....	D9/425
D461,678 S	8/2002	Hayes	.....	D7/392.1	D487,210 S	3/2004	Isler et al.	.....	D7/354
D468,202 S	1/2003	Chou	.....	D9/429	D489,254 S *	5/2004	Kocis et al.	.....	D9/425
6,561,374 B2	5/2003	Longstreth	.....	220/574	D494,062 S	8/2004	Willis	.....	D9/428
D475,621 S *	6/2003	Buchalski et al.	.....	D9/428	D495,920 S	9/2004	Isler et al.	.....	D7/354
D476,852 S	7/2003	Willis	.....	D7/565	D497,548 S	10/2004	Nordland	.....	D9/428
D478,812 S	8/2003	Hobbs	.....	D9/428	D502,046 S	2/2005	Isler et al.	.....	D7/354
D479,097 S	9/2003	Willis	.....	D7/565	D505,596 S *	5/2005	Tucker et al.	.....	D7/629
D479,441 S *	9/2003	Whitworth et al.	.....	D7/629	7,124,910 B2 *	10/2006	Nordland	.....	220/839
D481,943 S	11/2003	Hobbs	.....	D9/428					
D482,283 S *	11/2003	Wichmann et al.	.....	D9/454					

\* cited by examiner



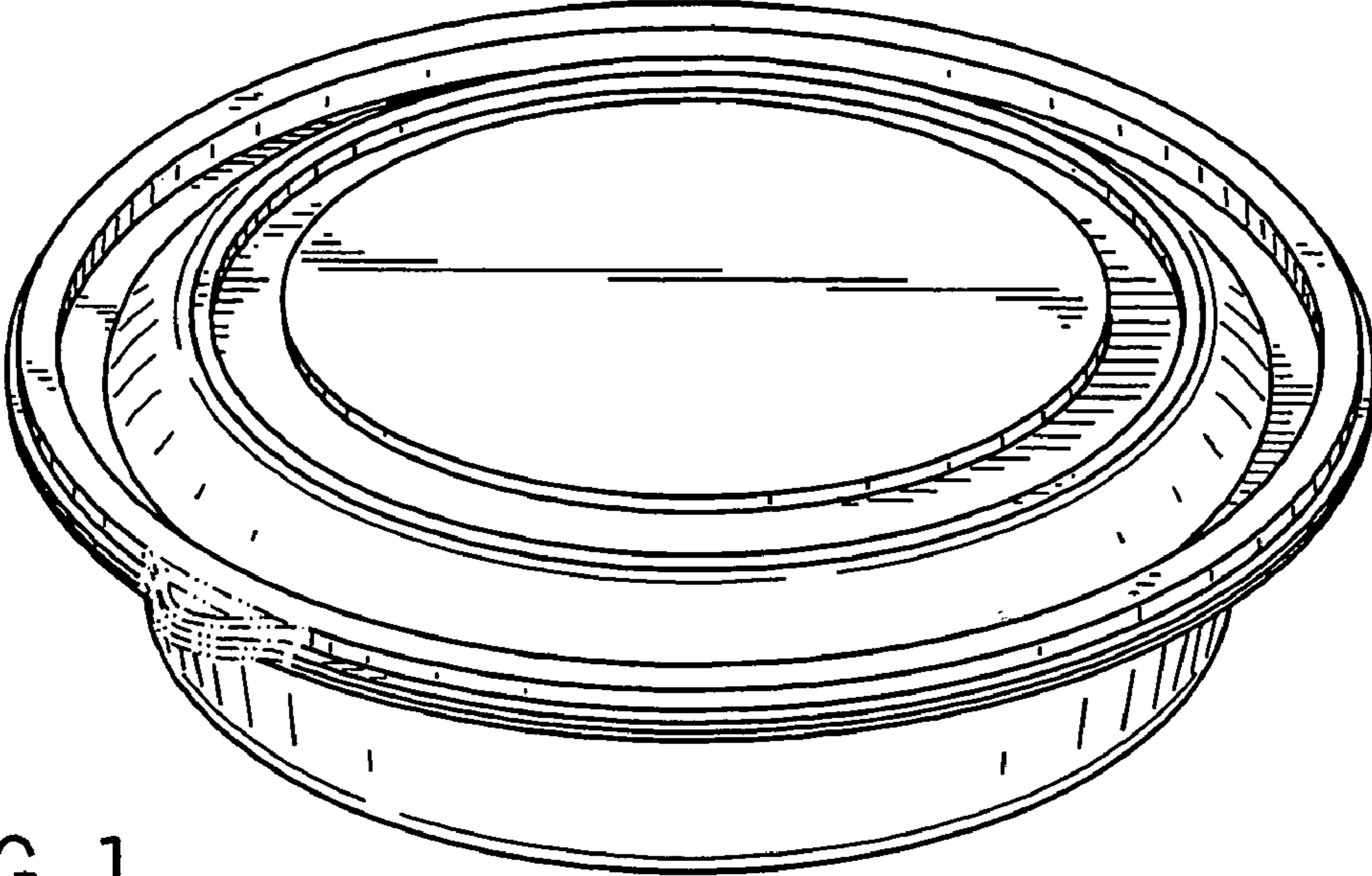


FIG. 1

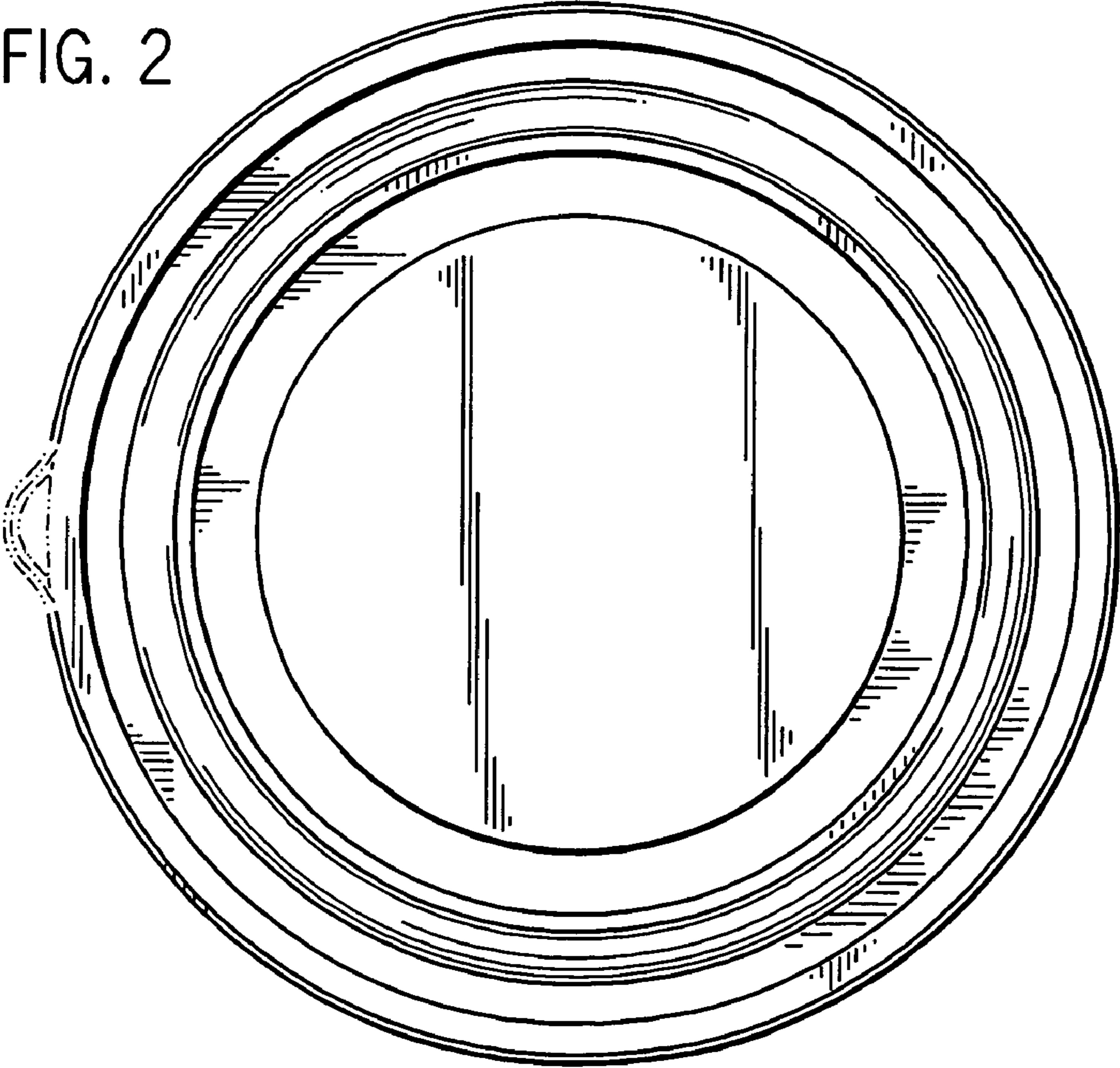


FIG. 2

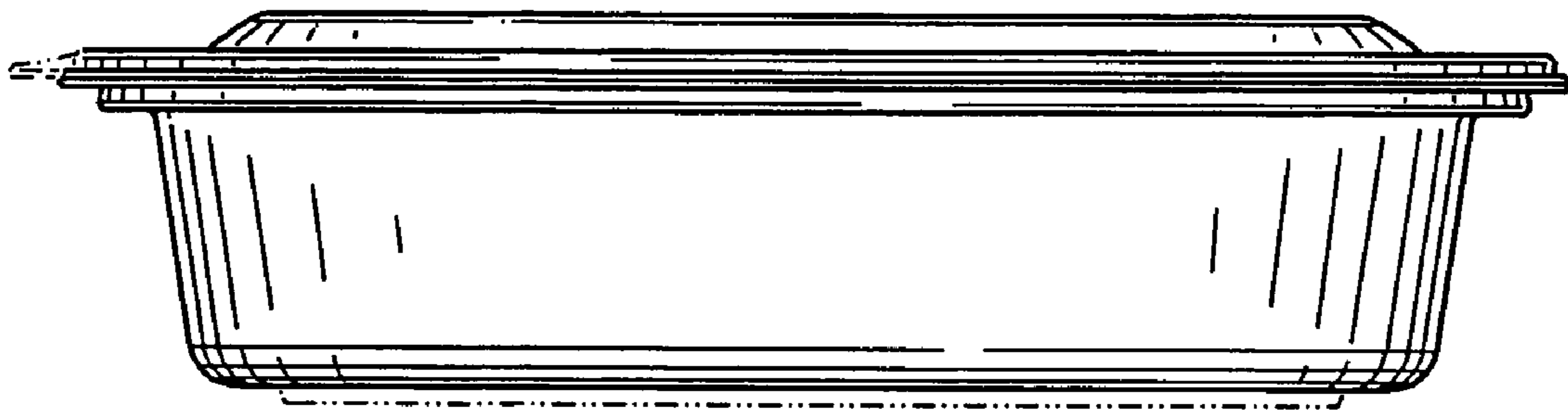


FIG. 3

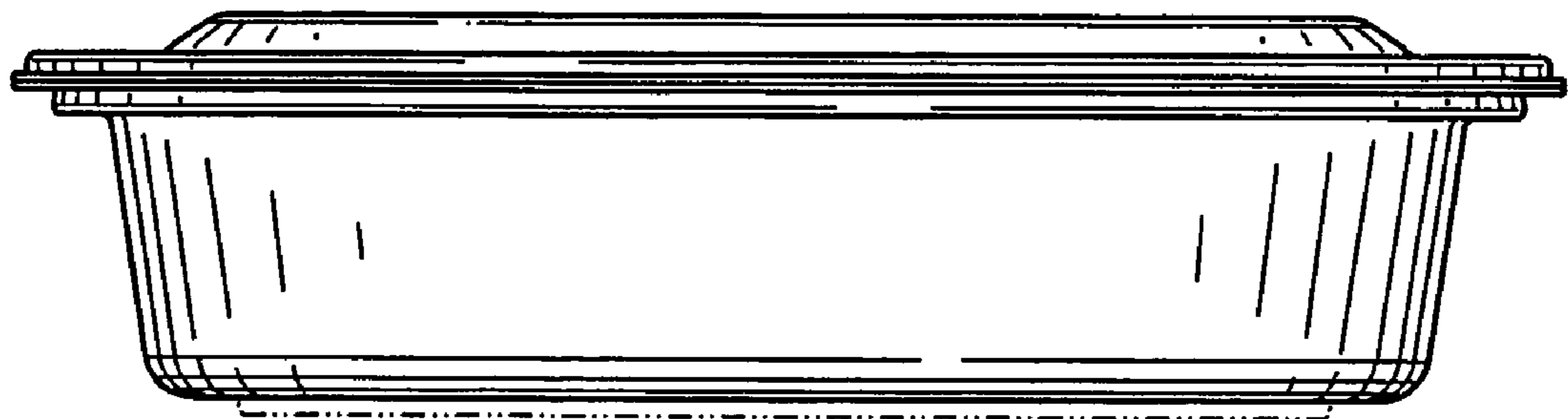


FIG. 4

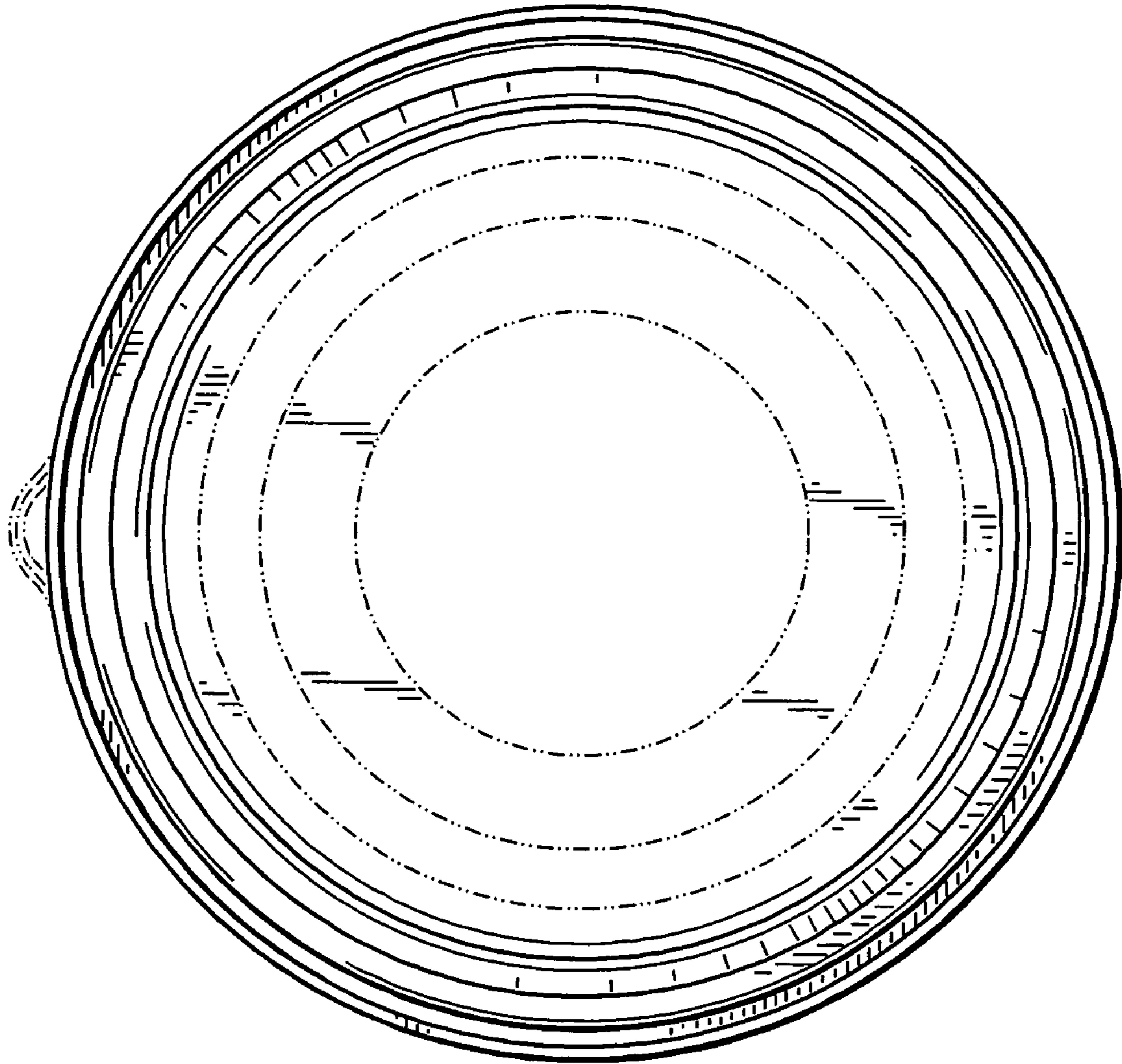


FIG. 5

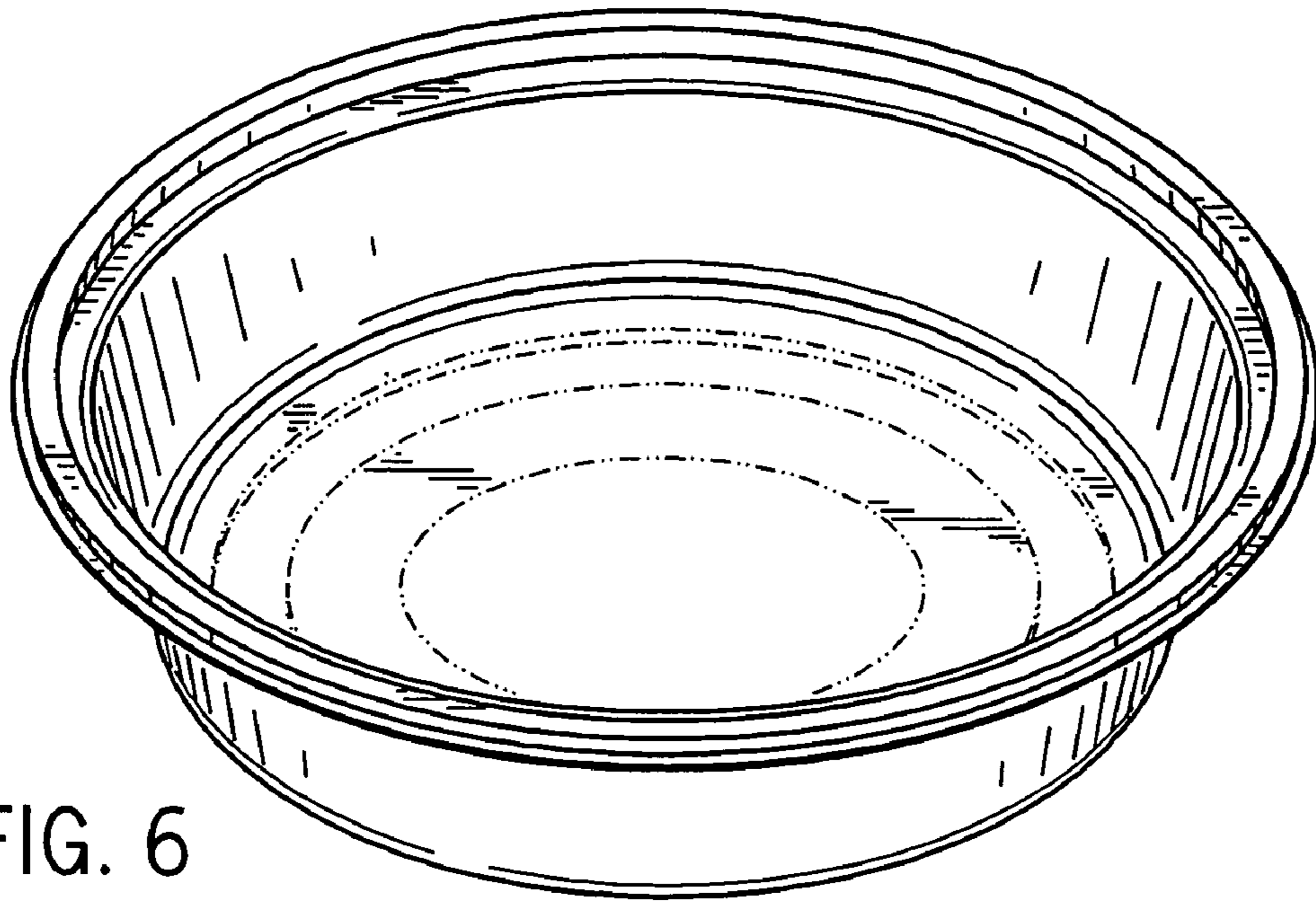


FIG. 6

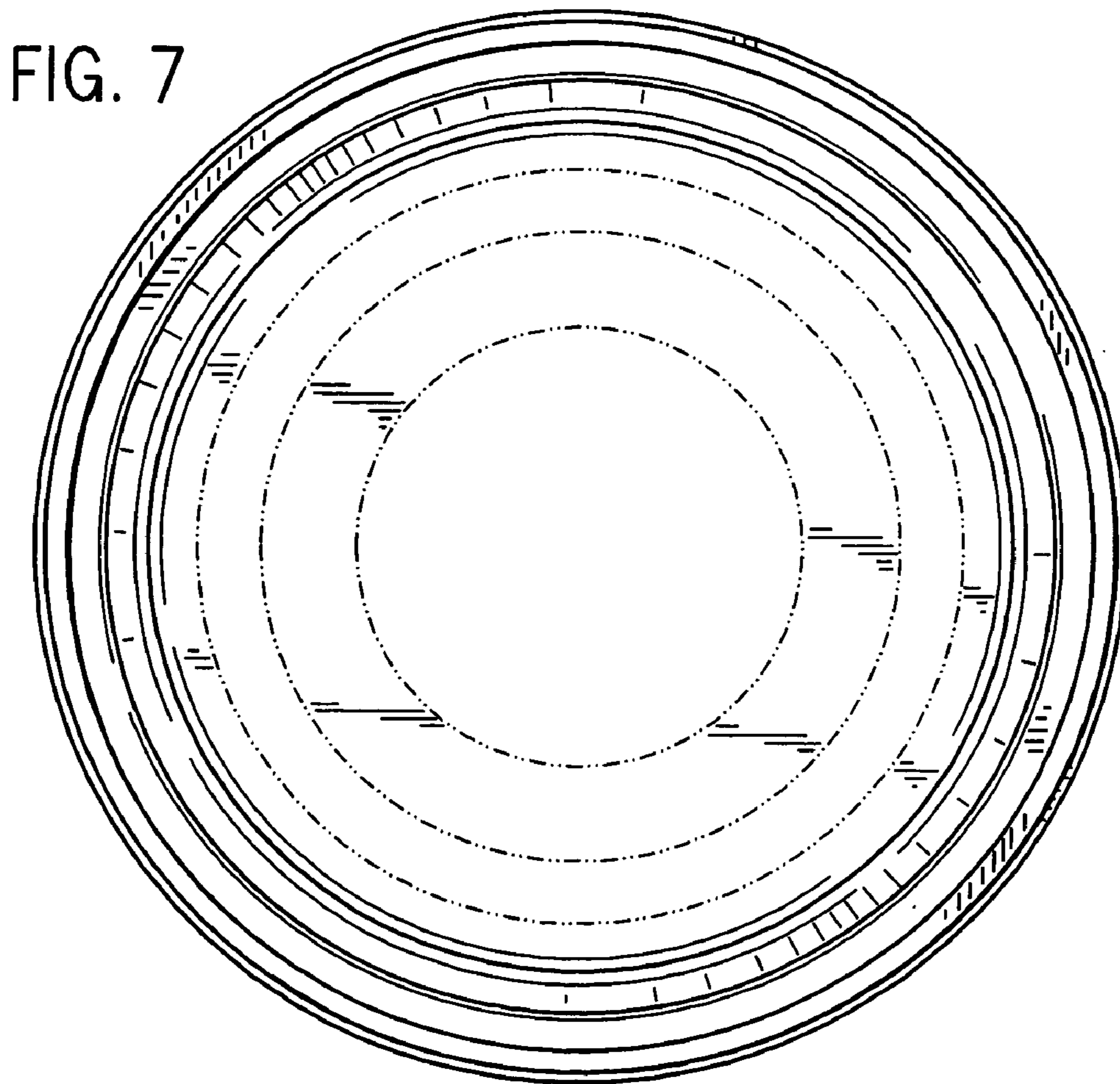


FIG. 7



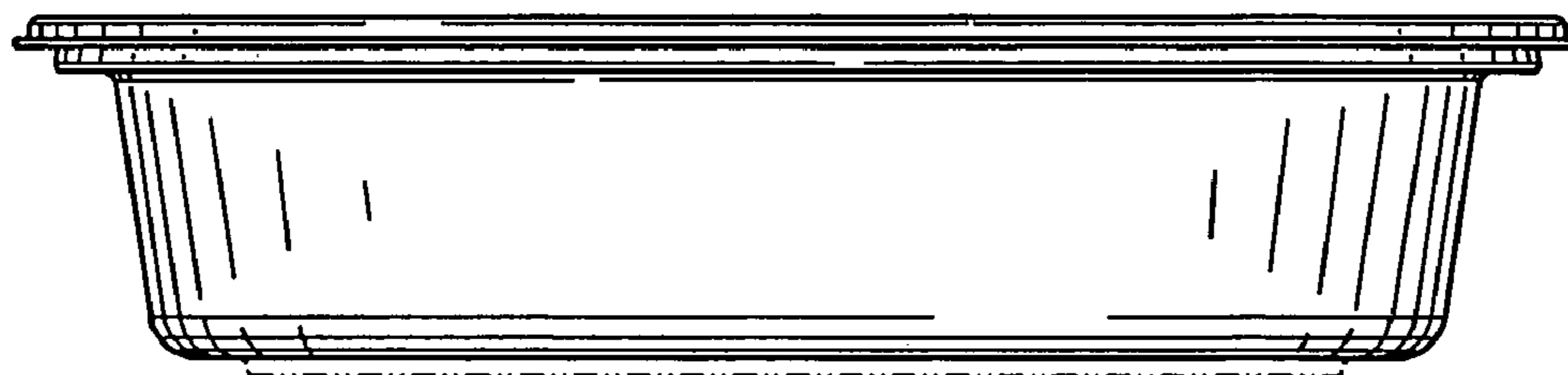


FIG. 8

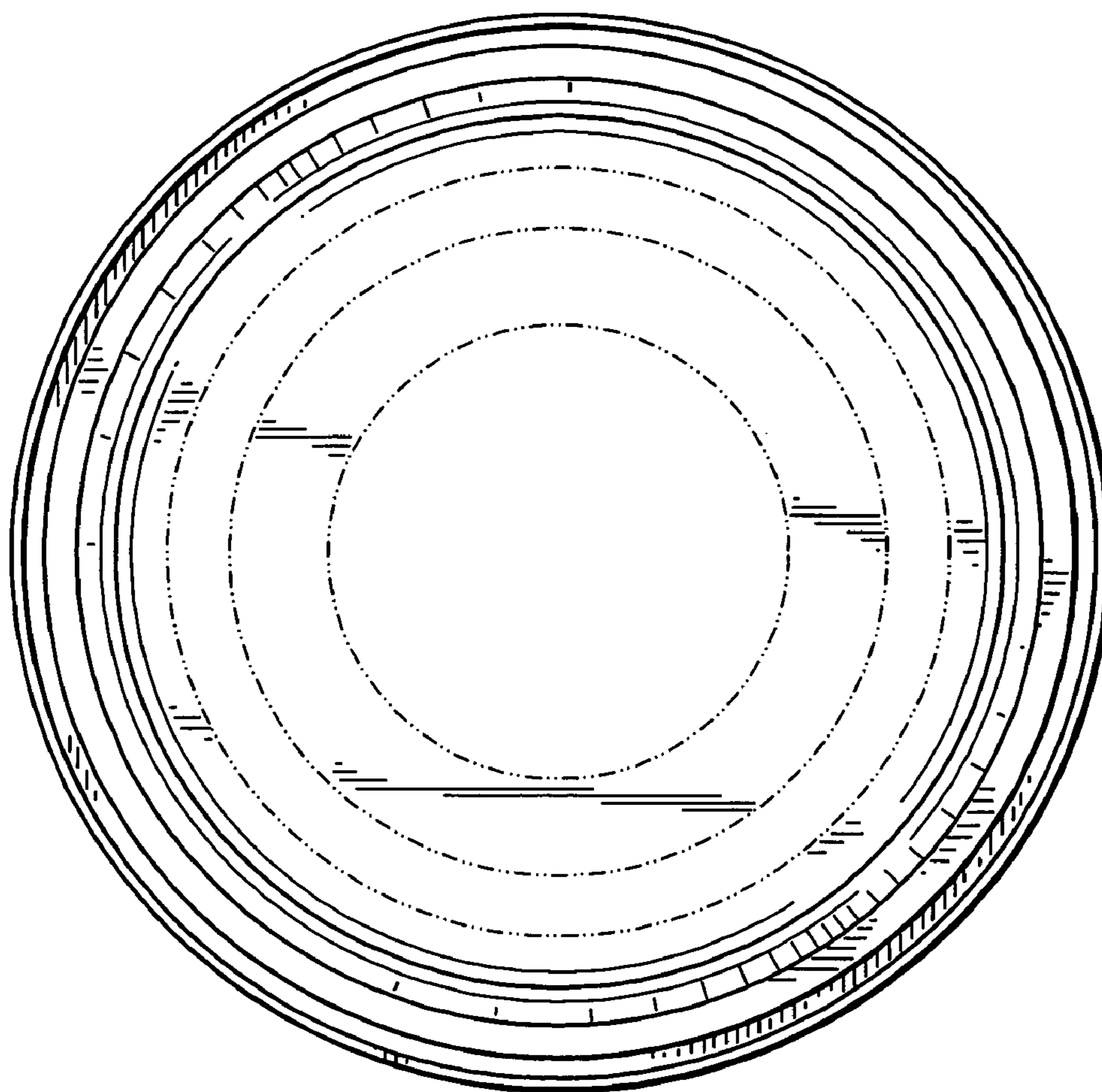


FIG. 9

FIG. 10

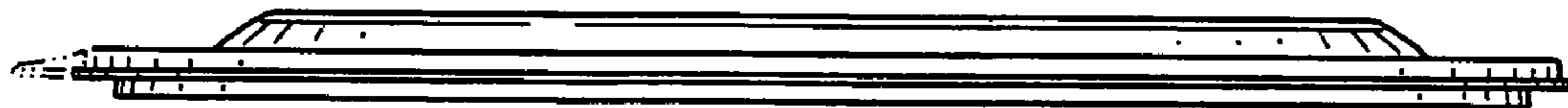
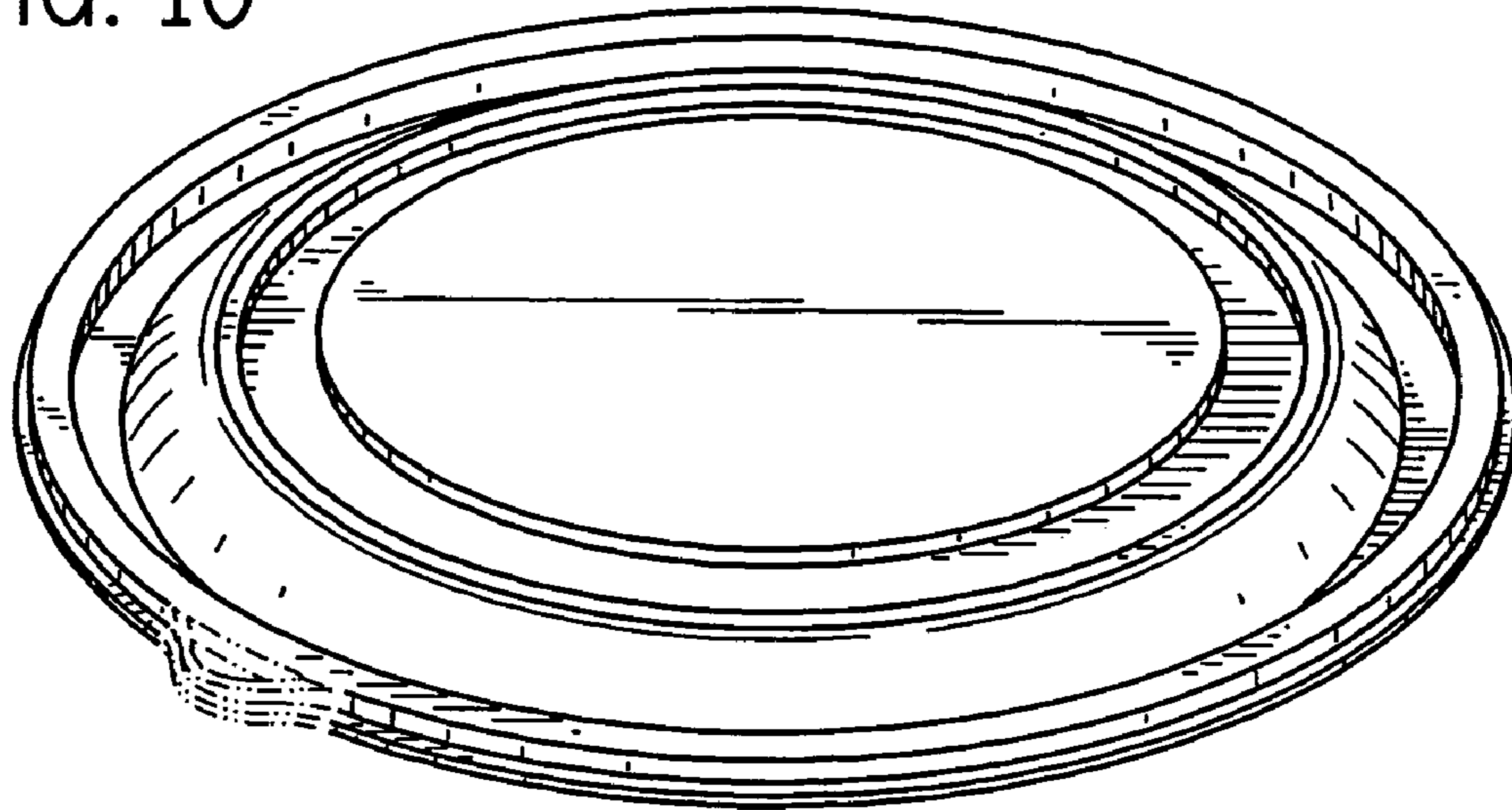


FIG. 11

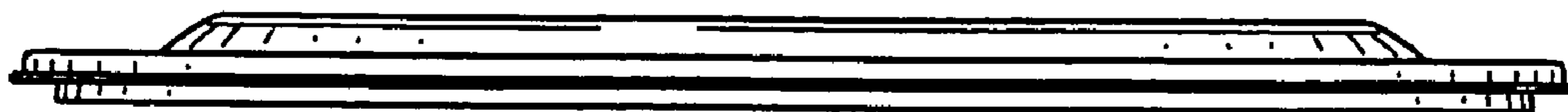


FIG. 12



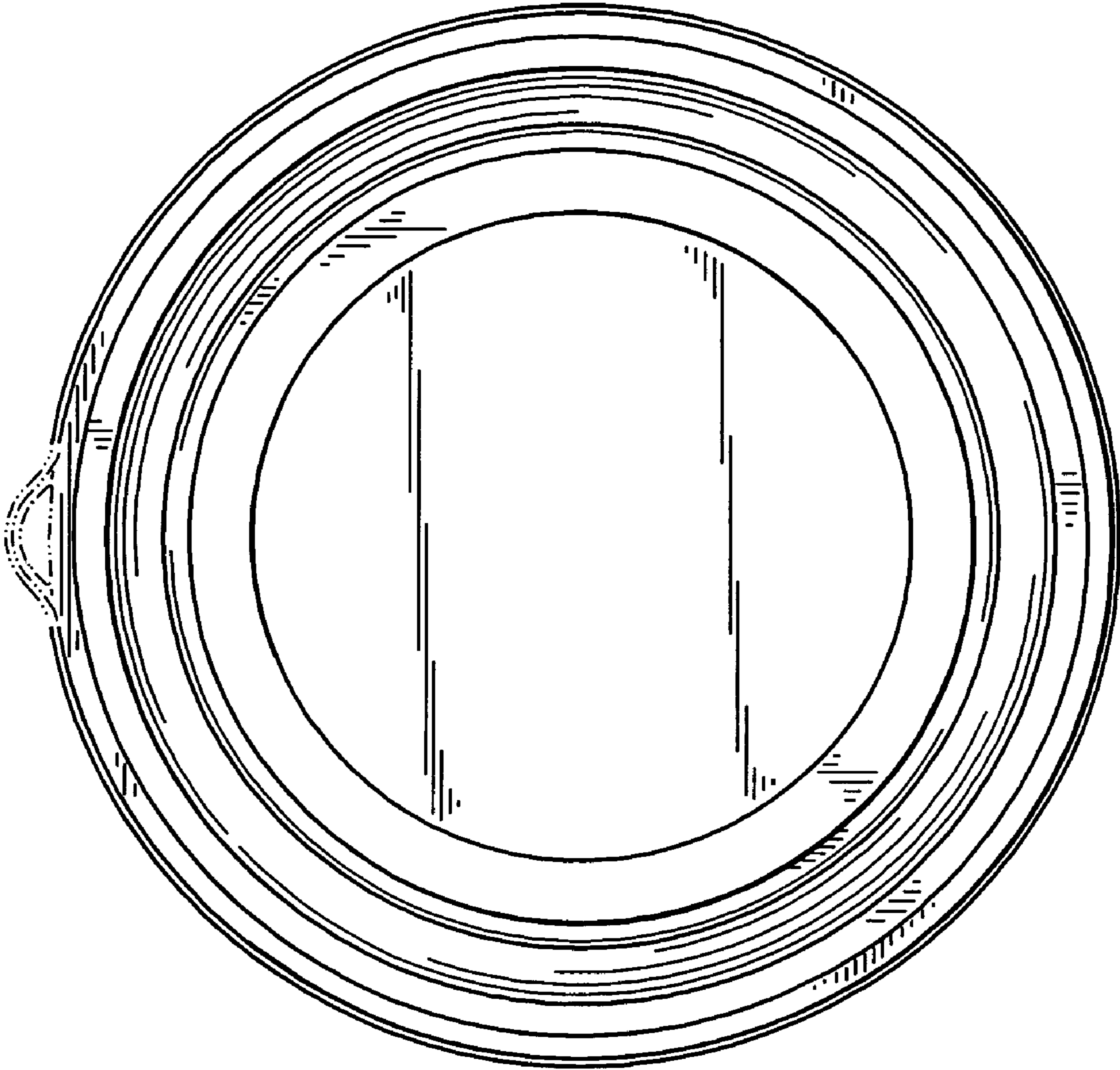


FIG. 13