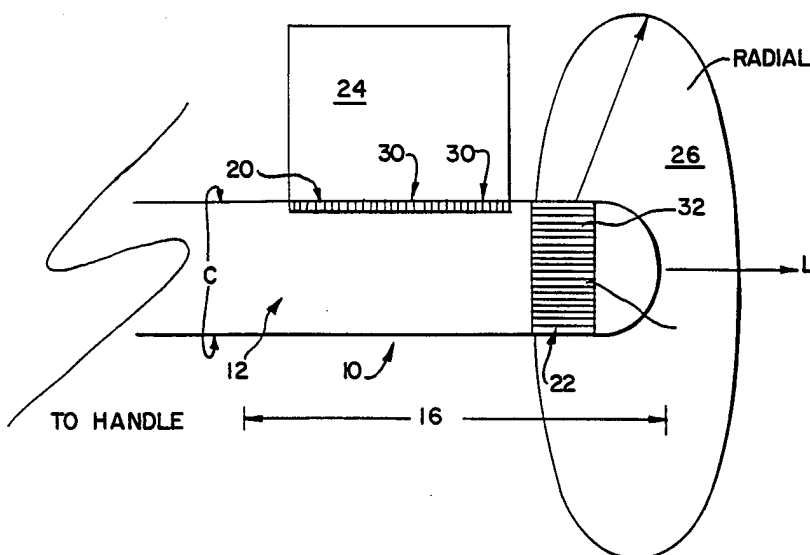




INTERNATIONAL APPLICATION PUBLISHED UNDER THE PATENT COOPERATION TREATY (PCT)

<p>(51) International Patent Classification <sup>6</sup> : <b>A61B 8/12</b></p>	<p><b>A3</b></p>	<p>(11) International Publication Number: <b>WO 98/38486</b> (43) International Publication Date: 3 September 1998 (03.09.98)</p>
<p>(21) International Application Number: PCT/US98/03820 (22) International Filing Date: 27 February 1998 (27.02.98) (30) Priority Data: 08/807,384 27 February 1997 (27.02.97) US (71) Applicant (for all designated States except US): ACUSON CORPORATION [US/US]; 1220 Charleston Road, Mountain View, CA 94043 (US). (72) Inventors; and (75) Inventors/Applicants (for US only): HOSSACK, John, A. [US/US]; 144 Emerson Street #E, Palo Alto, CA 94301 (US). EATON, John, W. [US/US]; 1150 Guinda Street, Palo Alto, CA 94301 (US). (74) Agent: KADIEVITCH, Natalie, D.; Brinks Hofer Gilson &amp; Lione, Suite 3600 – NBC Tower, 455 North Cityfront Plaza Drive, Chicago, IL 60611–5599 (US).</p>		<p>(81) Designated States: AL, AM, AT, AU, AZ, BA, BB, BG, BR, BY, CA, CH, CN, CU, CZ, DE, DK, EE, ES, FI, GB, GE, GH, GM, GW, HU, ID, IL, IS, JP, KE, KG, KP, KR, KZ, LC, LK, LR, LS, LT, LU, LV, MD, MG, MK, MN, MW, MX, NO, NZ, PL, PT, RO, RU, SD, SE, SG, SI, SK, SL, TJ, TM, TR, TT, UA, UG, US, UZ, VN, YU, ZW, ARIPO patent (GH, GM, KE, LS, MW, SD, SZ, UG, ZW), Eurasian patent (AM, AZ, BY, KG, KZ, MD, RU, TJ, TM), European patent (AT, BE, CH, DE, DK, ES, FI, FR, GB, GR, IE, IT, LU, MC, NL, PT, SE), OAPI patent (BF, BJ, CF, CG, CI, CM, GA, GN, ML, MR, NE, SN, TD, TG).</p> <p><b>Published</b> <i>With international search report.</i></p> <p>(88) Date of publication of the international search report: 3 December 1998 (03.12.98)</p>

(54) Title: ULTRASONIC PROBE, SYSTEM AND METHOD FOR TWO-DIMENSIONAL IMAGING OR DIMENSIONAL RECONSTRUCTION



(57) Abstract

This invention is an ultrasonic probe (10) that includes at least two ultrasonic arrays (20, 22) and allows three-dimensional images to be constructed of the region examined by the probe (10) in a precise and facile manner.

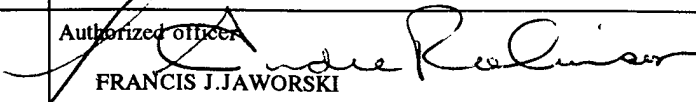
*FOR THE PURPOSES OF INFORMATION ONLY*

Codes used to identify States party to the PCT on the front pages of pamphlets publishing international applications under the PCT.

AL	Albania	ES	Spain	LS	Lesotho	SI	Slovenia
AM	Armenia	FI	Finland	LT	Lithuania	SK	Slovakia
AT	Austria	FR	France	LU	Luxembourg	SN	Senegal
AU	Australia	GA	Gabon	LV	Latvia	SZ	Swaziland
AZ	Azerbaijan	GB	United Kingdom	MC	Monaco	TD	Chad
BA	Bosnia and Herzegovina	GE	Georgia	MD	Republic of Moldova	TG	Togo
BB	Barbados	GH	Ghana	MG	Madagascar	TJ	Tajikistan
BE	Belgium	GN	Guinea	MK	The former Yugoslav Republic of Macedonia	TM	Turkmenistan
BF	Burkina Faso	GR	Greece			TR	Turkey
BG	Bulgaria	HU	Hungary	ML	Mali	TT	Trinidad and Tobago
BJ	Benin	IE	Ireland	MN	Mongolia	UA	Ukraine
BR	Brazil	IL	Israel	MR	Mauritania	UG	Uganda
BY	Belarus	IS	Iceland	MW	Malawi	US	United States of America
CA	Canada	IT	Italy	MX	Mexico	UZ	Uzbekistan
CF	Central African Republic	JP	Japan	NE	Niger	VN	Viet Nam
CG	Congo	KE	Kenya	NL	Netherlands	YU	Yugoslavia
CH	Switzerland	KG	Kyrgyzstan	NO	Norway	ZW	Zimbabwe
CI	Côte d'Ivoire	KP	Democratic People's Republic of Korea	NZ	New Zealand		
CM	Cameroon			PL	Poland		
CN	China	KR	Republic of Korea	PT	Portugal		
CU	Cuba	KZ	Kazakistan	RO	Romania		
CZ	Czech Republic	LC	Saint Lucia	RU	Russian Federation		
DE	Germany	LI	Liechtenstein	SD	Sudan		
DK	Denmark	LK	Sri Lanka	SE	Sweden		
EE	Estonia	LR	Liberia	SG	Singapore		

# INTERNATIONAL SEARCH REPORT

International application No.  
PCT/US98/03820

<b>A. CLASSIFICATION OF SUBJECT MATTER</b> IPC(6) :A61B 8/12 US CL :600/463 According to International Patent Classification (IPC) or to both national classification and IPC		
<b>B. FIELDS SEARCHED</b> Minimum documentation searched (classification system followed by classification symbols) U.S. : 128/916; 600/437, 443, 447, 462, 463 Documentation searched other than minimum documentation to the extent that such documents are included in the fields searched NONE Electronic data base consulted during the international search (name of data base and, where practicable, search terms used) NONE		
<b>C. DOCUMENTS CONSIDERED TO BE RELEVANT</b>		
Category*	Citation of document, with indication, where appropriate, of the relevant passages	Relevant to claim No.
Y	US 5,471,988 A (FUJIO et al) 05 December 1995, col. 7 lines 33-52.	9
Y	US 5,081,993 A (KITNEY et al) 21 January 1992, col. 5 line 60 to col. 6 line 16, and col.11 lines 1-14.	9
Y	US 5,257,629 A (KITNEY et al) 02 November 1993, col. 8 line 22 to col. 10 line 23.	9
Y	US 5,161,537 A (HASHIMOTO et al) 10 November 1992, col. 2 lines 3-46.	9
<input type="checkbox"/> Further documents are listed in the continuation of Box C. <input type="checkbox"/> See patent family annex.		
* *A* *E* *L* *O* *P*	Special categories of cited documents: document defining the general state of the art which is not considered to be of particular relevance earlier document published on or after the international filing date document which may throw doubts on priority claim(s) or which is cited to establish the publication date of another citation or other special reason (as specified) document referring to an oral disclosure, use, exhibition or other means document published prior to the international filing date but later than the priority date claimed	*T* later document published after the international filing date or priority date and not in conflict with the application but cited to understand the principle or theory underlying the invention *X* document of particular relevance; the claimed invention cannot be considered novel or cannot be considered to involve an inventive step when the document is taken alone *Y* document of particular relevance; the claimed invention cannot be considered to involve an inventive step when the document is combined with one or more other such documents, such combination being obvious to a person skilled in the art *&* document member of the same patent family
Date of the actual completion of the international search  19 JULY 1998	Date of mailing of the international search report  <b>20 AUG 1998</b>	
Name and mailing address of the ISA/US Commissioner of Patents and Trademarks Box PCT Washington, D.C. 20231 Facsimile No. (703) 305-3230	Authorized officer  FRANCIS J. JAWORSKI Telephone No. (703) 308-3061	