



US00D744943S

(12) **United States Design Patent**
Bates

(10) **Patent No.:** **US D744,943 S**

(45) **Date of Patent:** **** Dec. 8, 2015**

- (54) **BATTERY CHARGER**
- (71) Applicant: **Lawrence M. Bates**, Deland, FL (US)
- (72) Inventor: **Lawrence M. Bates**, Deland, FL (US)
- (73) Assignee: **Deltona Transformer Corporation**,
Deland, FL (US)

D581,356 S	*	11/2008	Ahlgren	D13/107
D617,267 S	*	6/2010	Li	D13/107
D624,013 S	*	9/2010	Lingott	D13/107
D624,014 S	*	9/2010	Lingott	D13/107
D654,854 S	*	2/2012	Inskeep	D13/107
D662,879 S	*	7/2012	Steinbuechel, IV	D13/107
D664,501 S	*	7/2012	Inskeep	D13/107
D694,180 S	*	11/2013	Inskeep	D13/107
D696,188 S	*	12/2013	Loeck	D13/108
D697,026 S	*	1/2014	Dasbach	D13/108

(**) Term: **14 Years**

* cited by examiner

(21) Appl. No.: **29/494,716**

Primary Examiner — Rosemary K Tarcza

(22) Filed: **Jun. 24, 2014**

(74) *Attorney, Agent, or Firm* — Livingston Loeffler, P.A.;
Edward M. Livingston, Esq.; Bryan L. Loeffler, Esq.

(51) **LOC (10) Cl.** **13-02**

(57) **CLAIM**

(52) **U.S. Cl.** **D13/107**
USPC

The ornamental design for a battery charger, as shown and described.

(58) **Field of Classification Search**
USPC D13/107–110, 118–119, 182, 199;
D14/251, 253, 432, 434; 320/107–115
CPC Y02E 60/12; Y02T 90/14; Y02T 90/122;
Y02T 90/128; Y02T 90/163; H02J 7/025;
H02J 7/0042; H02J 7/0044; H02J 7/0045;
H02J 7/0003; H01F 38/14; H01R 13/6675;
H01M 2/1022; H01M 2/1055; H01M 10/44;
H01M 10/46; H01M 10/425; B60L 11/182
See application file for complete search history.

DESCRIPTION

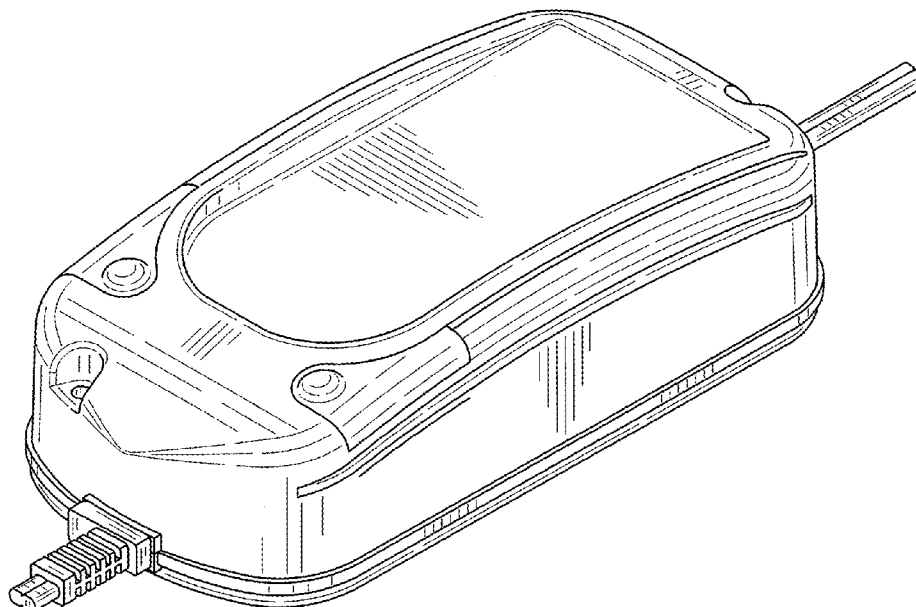
FIG. 1 is a top perspective view of a battery charger of the present invention;
FIG. 2 is a front view of the battery charger of the present invention;
FIG. 3 is a rear view of the battery charger of the present invention;
FIG. 4 is a top view of the battery charger of the present invention;
FIG. 5 is a bottom view of the battery charger of the present invention;
FIG. 6 is a right side view of the battery charger of the present invention; and,
FIG. 7 is a left side view of the battery charger of the present invention.

(56) **References Cited**

U.S. PATENT DOCUMENTS

5,019,767 A	*	5/1991	Shirai	H01M 2/105 224/902
D511,743 S	*	11/2005	Hriscu	D13/107
D575,225 S	*	8/2008	Ahlgren	D13/107

1 Claim, 3 Drawing Sheets



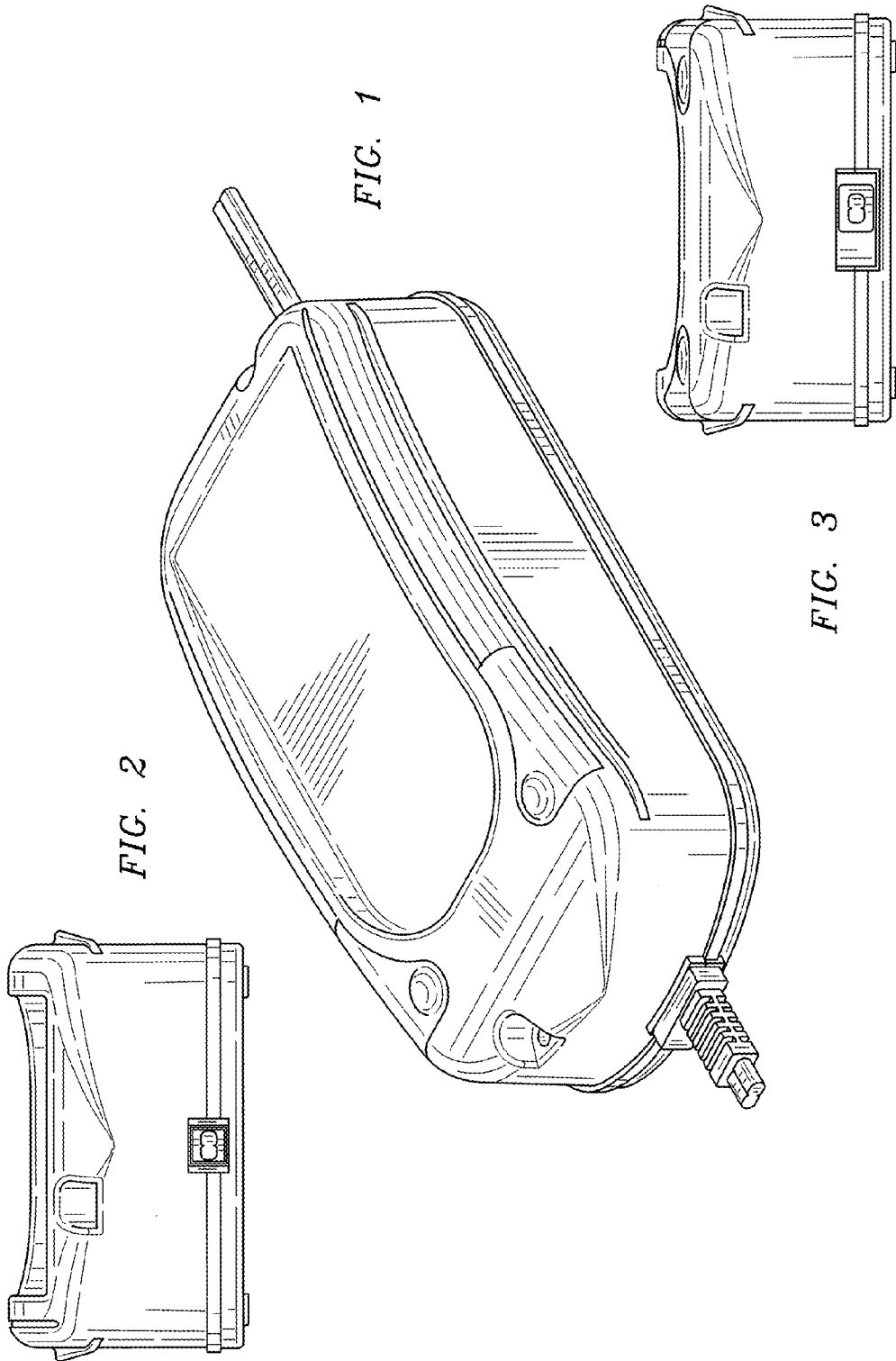


FIG. 2

FIG. 1

FIG. 3

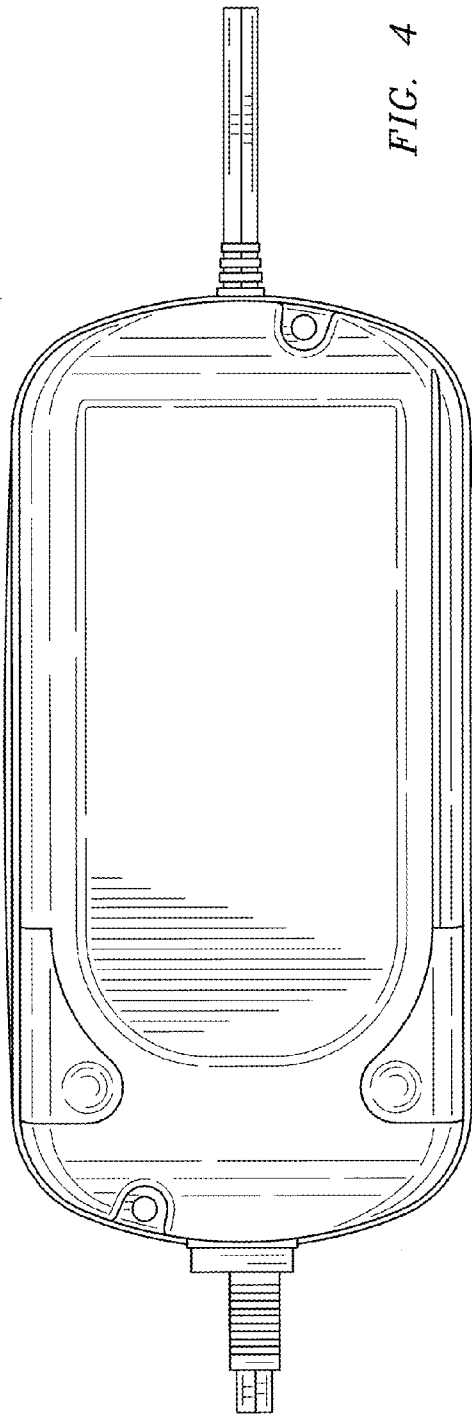


FIG. 4

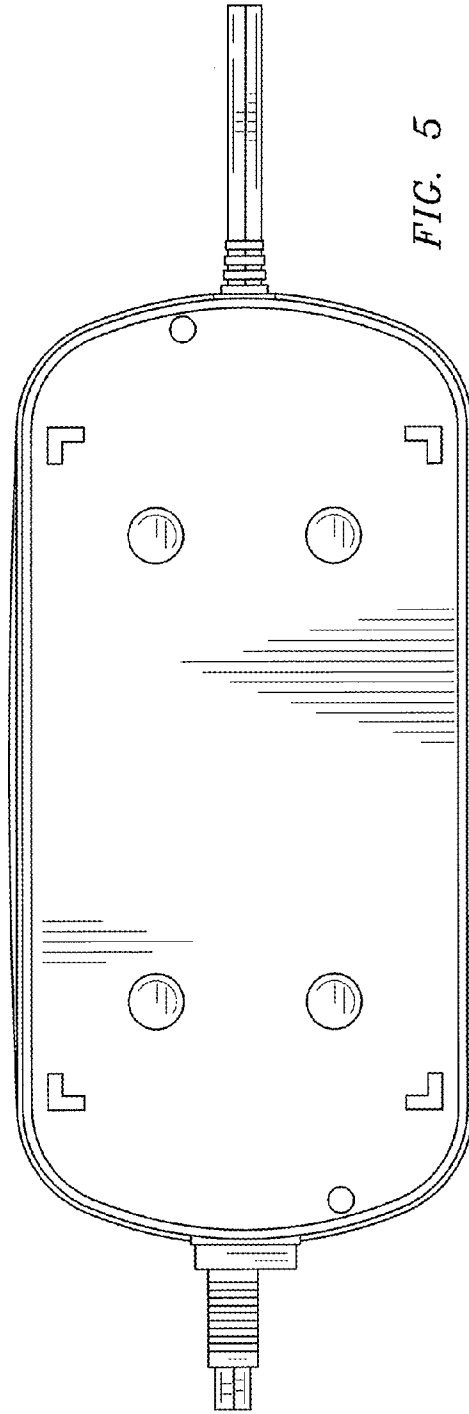


FIG. 5

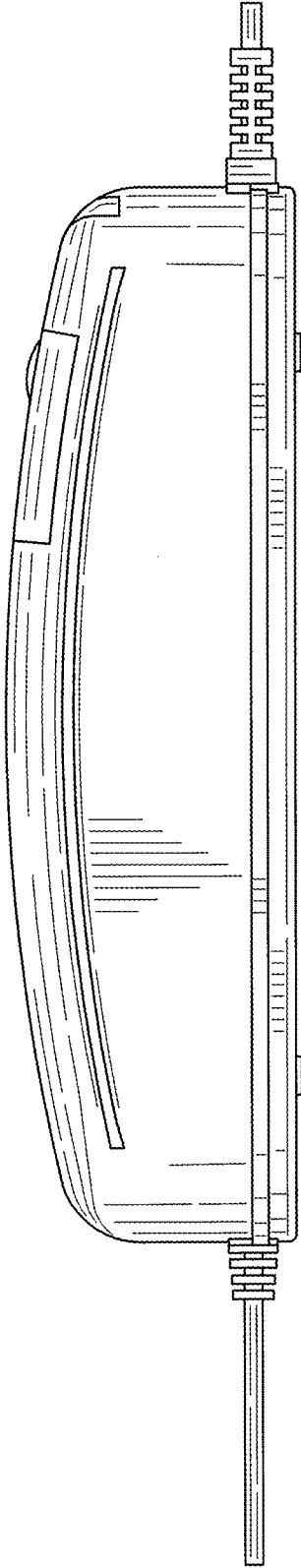


FIG. 6

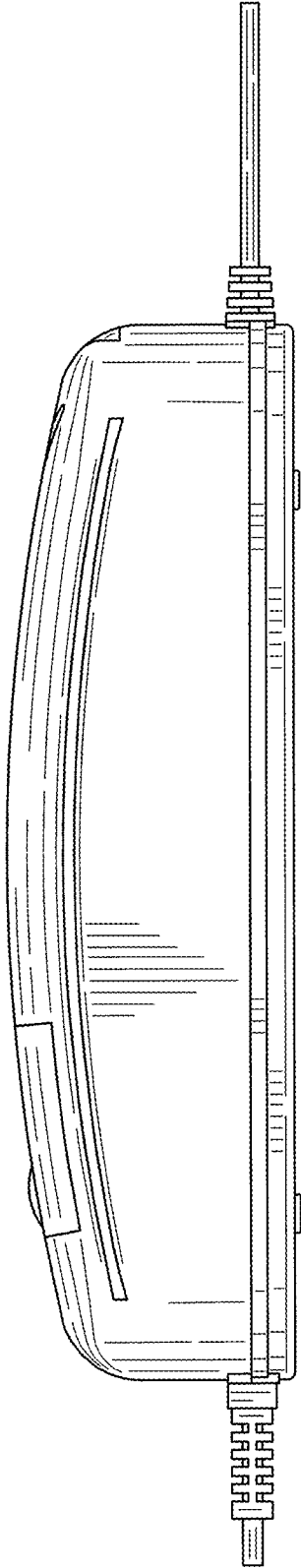


FIG. 7