



(51) International Patent Classification:

B29C 41/04 (2006.01) **B65G 15/34** (2006.01)
B32B 27/20 (2006.01) **C08L 75/04** (2006.01)
B32B 27/40 (2006.01) **C08L 75/06** (2006.01)
C08K 3/02 (2006.01) **C08L 75/08** (2006.01)
C08K 3/08 (2006.01)

(21) International Application Number:

PCT/IB2009/007057

(22) International Filing Date:

7 October 2009 (07.10.2009)

(25) Filing Language:

Italian

(26) Publication Language:

English

(30) Priority Data:

BO2008A000612 7 October 2008 (07.10.2008) IT

(71) Applicant (for all designated States except US): **P.R. NASTRI TRASPORTATORI S.N.C. DI RUBINO VINCENZO & RUBINO ATTILIO** [IT/IT]; Via Masi, 18, I-40011 Anzola Emilia (Bologna) (IT).

(72) Inventor; and

(75) Inventor/Applicant (for US only): **RUBINO, Attilio** [IT/IT]; Via Rumpianesi, 9, I-40011 Anzola Emilia (BO) (IT).

(74) Agent: **DALL'OLIO, Giancarlo**; Invention S.r.l., Via delle Armi, 1, I-40137 Bologna (IT).

(81) Designated States (unless otherwise indicated, for every kind of national protection available): AE, AG, AL, AM, AO, AT, AU, AZ, BA, BB, BG, BH, BR, BW, BY, BZ, CA, CH, CL, CN, CO, CR, CU, CZ, DE, DK, DM, DO, DZ, EC, EE, EG, ES, FI, GB, GD, GE, GH, GM, GT, HN, HR, HU, ID, IL, IN, IS, JP, KE, KG, KM, KN, KP, KR, KZ, LA, LC, LK, LR, LS, LT, LU, LY, MA, MD, ME, MG, MK, MN, MW, MX, MY, MZ, NA, NG, NI, NO, NZ, OM, PE, PG, PH, PL, PT, RO, RS, RU, SC, SD, SE, SG, SK, SL, SM, ST, SV, SY, TJ, TM, TN, TR, TT, TZ, UA, UG, US, UZ, VC, VN, ZA, ZM, ZW.

(84) Designated States (unless otherwise indicated, for every kind of regional protection available): ARIPO (BW, GH, GM, KE, LS, MW, MZ, NA, SD, SL, SZ, TZ, UG, ZM, ZW), Eurasian (AM, AZ, BY, KG, KZ, MD, RU, TJ, TM), European (AT, BE, BG, CH, CY, CZ, DE, DK, EE, ES, FI, FR, GB, GR, HR, HU, IE, IS, IT, LT, LU, LV, MC, MK, MT, NL, NO, PL, PT, RO, SE, SI, SK, SM, TR), OAPI (BF, BJ, CF, CG, CI, CM, GA, GN, GQ, GW, ML, MR, NE, SN, TD, TG).

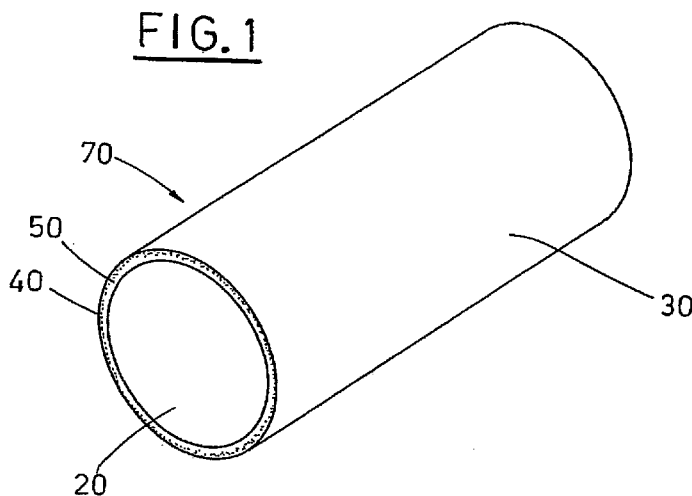
Published:

- with international search report (Art. 21(3))
- before the expiration of the time limit for amending the claims and to be republished in the event of receipt of amendments (Rule 48.2(h))

(88) Date of publication of the international search report:

10 June 2010

(54) Title: COMPOSITE MATERIAL DETECTABLE BY A METAL DETECTOR, ARTICLE OF SAID MATERIAL AND METHOD FOR OBTAINING SUCH AN ARTICLE



(57) Abstract: The invention relates to embodiments of a new composite material comprising at least a first plastic material and particles of magnetisable, magnetised or metal material. The invention further concerns an article made of the composite material and a method for obtaining an article from the composite material.

WO 2010/041121 A3

INTERNATIONAL SEARCH REPORT

International application No
PCT/IB2009/007057

A. CLASSIFICATION OF SUBJECT MATTER
 INV. B29C41/04 B32B27/20 B32B27/40 C08K3/02 C08K3/08
 B65G15/34
 ADD. C08L75/04 C08L75/06 C08L75/08
 According to International Patent Classification (IPC) or to both national classification and IPC

B. FIELDS SEARCHED
 Minimum documentation searched (classification system followed by classification symbols)
 B29C B32B C08K C08L B65D B65G

Documentation searched other than minimum documentation to the extent that such documents are included in the fields searched

Electronic data base consulted during the international search (name of data base and, where practical, search terms used)
 EPO-Internal, WPI Data

C. DOCUMENTS CONSIDERED TO BE RELEVANT

Category*	Citation of document, with indication, where appropriate, of the relevant passages	Relevant to claim No.
X	WO 2006/026823 A (BELL GLENDA FAY [AU]; MAY DONALD BRUCE [AU]; MAY SHARON [AU]) 16 March 2006 (2006-03-16) cited in the application	1-4, 6, 9
Y	page 2, line 3 - line 17; claims 1, 3, 6, 8, 11-15, 17, 19; examples 1-3 page 4, line 17 - page 5, line 16 page 8, line 2 - line 15	5, 7, 8, 10-22
X	US 6 177 113 B1 (KRESS JOHN E [US] ET AL) 23 January 2001 (2001-01-23) cited in the application	1, 4, 5, 9
Y	column 5, line 3 - line 6; claims 1-5 column 2, line 7 - line 24 column 2, line 62 - column 3, line 7 column 4, line 1 - line 16	2, 3, 6-8, 10-22
	----- -/--	

Further documents are listed in the continuation of Box C. See patent family annex.

* Special categories of cited documents :

"A" document defining the general state of the art which is not considered to be of particular relevance	"T" later document published after the international filing date or priority date and not in conflict with the application but cited to understand the principle or theory underlying the invention
"E" earlier document but published on or after the international filing date	"X" document of particular relevance; the claimed invention cannot be considered novel or cannot be considered to involve an inventive step when the document is taken alone
"L" document which may throw doubts on priority claim(s) or which is cited to establish the publication date of another citation or other special reason (as specified)	"Y" document of particular relevance; the claimed invention cannot be considered to involve an inventive step when the document is combined with one or more other such documents, such combination being obvious to a person skilled in the art.
"O" document referring to an oral disclosure, use, exhibition or other means	"&" document member of the same patent family
"P" document published prior to the international filing date but later than the priority date claimed	

Date of the actual completion of the international search 12 April 2010	Date of mailing of the international search report 22/04/2010
--	--

Name and mailing address of the ISA/ European Patent Office, P.B. 5818 Patentlaan 2 NL - 2280 HV Rijswijk Tel. (+31-70) 340-2040, Fax: (+31-70) 340-3016	Authorized officer Okunowski, Joachim
--	--

INTERNATIONAL SEARCH REPORT

International application No

PCT/IB2009/007057

C(Continuation). DOCUMENTS CONSIDERED TO BE RELEVANT		
Category*	Citation of document, with indication, where appropriate, of the relevant passages	Relevant to claim No.
X	US 6 001 440 A (MIYAMOTO TSUNEO [JP] ET AL) 14 December 1999 (1999-12-14) column 2, line 37 - line 53; claim 1 column 1, line 11 - line 67 -----	1,4
X	DE 202 08 052 U1 (BDT VERTRIEBS UND VERWALTUNGS [DE]) 5 September 2002 (2002-09-05) page 1, lines 17-22; claim 1 -----	1,2,18, 19
Y	BODI A ET AL: "USING SPECIAL EFFECTS IN ROTOMOLDING APPLICATIONS" PLASTICS ENGINEERING, SOCIETY OF PLASTICS ENGINEERS, INC. GREENWICH, CONN, US, vol. 55, no. 6, 1 June 1999 (1999-06-01), pages 45-48, XP000969292 ISSN: 0091-9578 the whole document -----	1-22
Y	HARKIN-JONES E ET AL: "ROTATIONAL MOLDING OF LIQUID PLASTIC SYSTEMS: AN ASSESSMENT OF MATERIAL MOLDABILITY" ADVANCES IN POLYMER TECHNOLOGY, WILEY AND SONS, HOBOKEN, NJ, US, vol. 15, no. 1, 21 March 1996 (1996-03-21) , pages 71-100, XP000548267 ISSN: 0730-6679 page 73 -----	1-22
Y	US 2 655 195 A (CURTIS CHALMER C) 13 October 1953 (1953-10-13) column 4, line 28 - column 5, line 29; examples I-III -----	1-22

INTERNATIONAL SEARCH REPORT

Information on patent family members

International application No PCT/IB2009/007057

Patent document cited in search report	Publication date	Patent family member(s)	Publication date
WO 2006026823 A	16-03-2006	CA 2577038 A1 CN 101022931 A EP 1786609 A1 JP 2008512655 T KR 20070050453 A US 2007205529 A1	16-03-2006 22-08-2007 23-05-2007 24-04-2008 15-05-2007 06-09-2007
US 6177113 B1	23-01-2001	NONE	
US 6001440 A	14-12-1999	JP 3240435 B2 JP 10120805 A	17-12-2001 12-05-1998
DE 20208052 U1	05-09-2002	NONE	
US 2655195 A	13-10-1953	NONE	