

(19) World Intellectual Property Organization
International Bureau



(43) International Publication Date
3 December 2009 (03.12.2009)

PCT

(10) International Publication Number
WO 2009/145206 A3

(51) International Patent Classification:
B25F 5/00 (2006.01)

(21) International Application Number:
PCT/JP2009/059644

(22) International Filing Date:
20 May 2009 (20.05.2009)

(25) Filing Language: English

(26) Publication Language: English

(30) Priority Data:
2008-141409 29 May 2008 (29.05.2008) JP
2008-224176 1 September 2008 (01.09.2008) JP

(71) Applicant (for all designated States except US): **Hitachi Koki Co., LTD.** [JP/JP]; 15-1, Konan 2-chome, Minato-ku, Tokyo, 1086020 (JP).

(72) Inventors; and

(75) Inventors/Applicants (for US only): **OOMORI, Katsuhiko. TOUKAIRIN, Junichi. UCHIDA, Hiroki.**

(74) Agent: **NAITO, Teruo;** Shin-Ei Patent Firm, 7-13, Nishi-Shimbashi 1-chome, Minato-ku, Tokyo, 1050003 (JP).

(81) Designated States (unless otherwise indicated, for every kind of national protection available): AE, AG, AL, AM, AO, AT, AU, AZ, BA, BB, BG, BH, BR, BW, BY, BZ, CA, CH, CN, CO, CR, CU, CZ, DE, DK, DM, DO, DZ, EC, EE, EG, ES, FI, GB, GD, GE, GH, GM, GT, HN, HR, HU, ID, IL, IN, IS, KE, KG, KM, KN, KP, KR, KZ, LA, LC, LK, LR, LS, LT, LU, LY, MA, MD, ME, MG, MK, MN, MW, MX, MY, MZ, NA, NG, NI, NO, NZ, OM, PG, PH, PL, PT, RO, RS, RU, SC, SD, SE, SG, SK, SL, SM, ST, SV, SY, TJ, TM, TN, TR, TT, TZ, UA, UG, US, UZ, VC, VN, ZA, ZM, ZW.

(84) Designated States (unless otherwise indicated, for every kind of regional protection available): ARIPO (BW, GH, GM, KE, LS, MW, MZ, NA, SD, SL, SZ, TZ, UG, ZM, ZW), Eurasian (AM, AZ, BY, KG, KZ, MD, RU, TJ, TM), European (AT, BE, BG, CH, CY, CZ, DE, DK, EE, ES, FI, FR, GB, GR, HR, HU, IE, IS, IT, LT, LU, LV, MC, MK, MT, NL, NO, PL, PT, RO, SE, SI, SK, TR), OAPI (BF, BJ, CF, CG, CI, CM, GA, GN, GQ, GW, ML, MR, NE, SN, TD, TG).

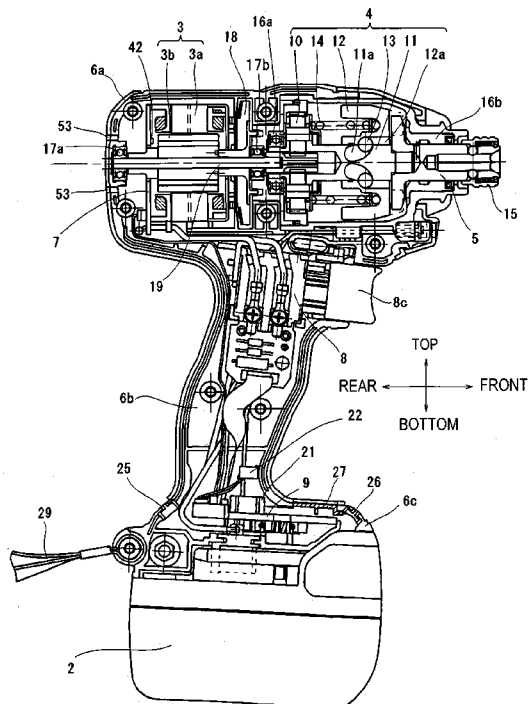
Published:

— with international search report (Art. 21(3))

[Continued on next page]

(54) Title: ELECTRIC POWER TOOL

FIG. 1



(57) Abstract: An electric power tool (1) includes a brushless direct-current motor (3) and a drive circuit that supplies drive power to the motor, the power tool rotates or drives a tool, whereby the drive circuit includes plural switching elements (21), and is arranged on a board(9) provided in a grip portion of a housing or below the grip portion; and an electric fan (22) is provided in the vicinity of the switching element for cooling the switching element.

WO 2009/145206 A3



— *before the expiration of the time limit for amending the claims and to be republished in the event of receipt of amendments (Rule 48.2(h))*

(88) Date of publication of the international search report:
21 January 2010

INTERNATIONAL SEARCH REPORT

International application No
PCT/JP2009/059644

A. CLASSIFICATION OF SUBJECT MATTER
INV. B25F5/00

According to International Patent Classification (IPC) or to both national classification and IPC

B. FIELDS SEARCHED

Minimum documentation searched (classification system followed by classification symbols)
B25F

Documentation searched other than minimum documentation to the extent that such documents are included in the fields searched

Electronic data base consulted during the international search (name of data base and, where practical, search terms used)

EPO-Internat

C. DOCUMENTS CONSIDERED TO BE RELEVANT

Category*	Citation of document, with indication, where appropriate, of the relevant passages	Relevant to claim No.
X	DE 10 2006 038756 A1 (MARQUARDT GMBH [DE]) 21 February 2008 (2008-02-21) paragraphs [0020] - [0024], [0030]	10, 11
Y		1, 13
Y	EP 1 081 827 A (RAMARATHNAM RAMACHANDRAN [IN]) 7 March 2001 (2001-03-07) paragraphs [0016], [0017]	1, 13

Further documents are listed in the continuation of Box C.

See patent family annex.

* Special categories of cited documents :

- *A* document defining the general state of the art which is not considered to be of particular relevance
- *E* earlier document but published on or after the international filing date
- *L* document which may throw doubts on priority claim(s) or which is cited to establish the publication date of another citation or other special reason (as specified)
- *O* document referring to an oral disclosure, use, exhibition or other means
- *P* document published prior to the international filing date but later than the priority date claimed

- *T* later document published after the international filing date or priority date and not in conflict with the application but cited to understand the principle or theory underlying the invention
- *X* document of particular relevance; the claimed invention cannot be considered novel or cannot be considered to involve an inventive step when the document is taken alone
- *Y* document of particular relevance; the claimed invention cannot be considered to involve an inventive step when the document is combined with one or more other such documents, such combination being obvious to a person skilled in the art.
- *Z* document member of the same patent family

Date of the actual completion of the international search

30 July 2009

Date of mailing of the international search report

26/11/2009

Name and mailing address of the ISA/

European Patent Office, P.B. 5818 Patentlaan 2
NL - 2280 HV Rijswijk
Tel. (+31-70) 340-2040,
Fax: (+31-70) 340-3016

Authorized officer

Gerard, Olivier

INTERNATIONAL SEARCH REPORT

International application No.
PCT/JP2009/059644

Box No. II Observations where certain claims were found unsearchable (Continuation of item 2 of first sheet)

This International search report has not been established in respect of certain claims under Article 17(2)(a) for the following reasons:

1. Claims Nos.:
because they relate to subject matter not required to be searched by this Authority, namely:

2. Claims Nos.:
because they relate to parts of the international application that do not comply with the prescribed requirements to such an extent that no meaningful international search can be carried out, specifically:

3. Claims Nos.:
because they are dependent claims and are not drafted in accordance with the second and third sentences of Rule 6.4(a).

Box No. III Observations where unity of invention is lacking (Continuation of item 3 of first sheet)

This International Searching Authority found multiple inventions in this international application, as follows:

see additional sheet

1. As all required additional search fees were timely paid by the applicant, this international search report covers all searchable claims.

2. As all searchable claims could be searched without effort justifying an additional fees, this Authority did not invite payment of additional fees.

3. As only some of the required additional search fees were timely paid by the applicant, this international search report covers only those claims for which fees were paid, specifically claims Nos.:

4. No required additional search fees were timely paid by the applicant. Consequently, this international search report is restricted to the invention first mentioned in the claims; it is covered by claims Nos.:

1-11,13 (when depending on claim 11)

Remark on Protest

- The additional search fees were accompanied by the applicant's protest and, where applicable, the payment of a protest fee.
- The additional search fees were accompanied by the applicant's protest but the applicable protest fee was not paid within the time limit specified in the invitation.
- No protest accompanied the payment of additional search fees.

FURTHER INFORMATION CONTINUED FROM PCT/ISA/ 210

This International Searching Authority found multiple (groups of) inventions in this international application, as follows:

1. claims: claims 1-11, 13 (when depending on claim 11)

An electric power tool including a brushless DC motor

2. claims: claims 12-19, 13 (when depending on claim 12)

An electric power tool including an air flow in the handle portion

INTERNATIONAL SEARCH REPORT

Information on patent family members

International application No

PCT/JP2009/059644

Patent document cited in search report	Publication date	Patent family member(s)	Publication date
DE 102006038756 A1	21-02-2008	NONE	
EP 1081827 A	07-03-2001	AT 231663 T	15-02-2003
		DE 69905036 D1	27-02-2003
		DE 69905036 T2	22-01-2004
		ES 2192022 T3	16-09-2003
		US 6320286 B1	20-11-2001