

(19) World Intellectual Property Organization
International Bureau



(43) International Publication Date
19 June 2008 (19.06.2008)

PCT

(10) International Publication Number
WO 2008/073413 A3

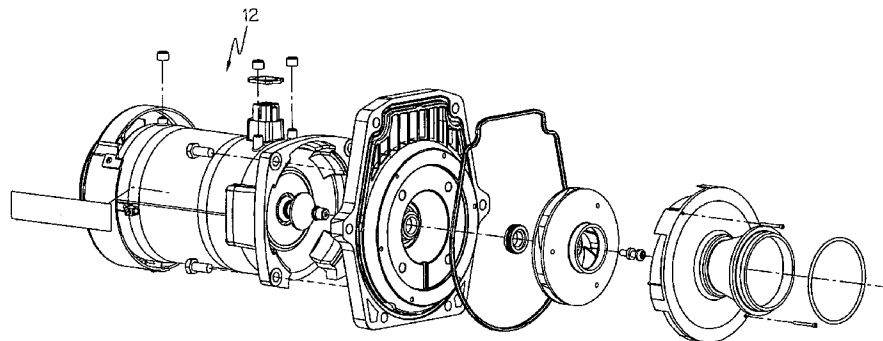
- (51) International Patent Classification:
F04B 49/06 (2006.01)
- (21) International Application Number:
PCT/US2007/025301
- (22) International Filing Date:
11 December 2007 (11.12.2007)
- (25) Filing Language: English
- (26) Publication Language: English
- (30) Priority Data:
11/608,887 11 December 2006 (11.12.2006) US
- (71) Applicants (for all designated States except US): **PEN-TAIR WATER POOL AND SPA, INC.** [US/US]; 1620 Hawkins Avenue, Sanford, NC 27330 (US). **DANFOSS LOW POWER DRIVES** [DK/DK]; A Division Of Danfoss Drives A/s, Ulsnaes 1, DK-6300 Graasten (DK).
- (72) Inventors; and
- (75) Inventors/Applicants (for US only): **STILES, Robert, W.** [US/US]; 217 Arbordale Court, Cary, NC 27511 (US). **BERTHELSEN, Lars, Hoffmann** [DK/DK]; Harevaenget 28, DK-6000 Kolding (DK). **ROBOL, Ronald, B.** [US/US]; 1701 Lord Ashley Drive, Sanford, NC 27330 (US). **YAHNKER, Christopher, R.** [US/US]; 2321 Beaver Oaks Court, Raleigh, NC 27606 (US). **HRUBY, Daniel, J.** [US/US]; 2312 Sutphin Drive, Sanford, NC 27330 (US). **MURPHY, Kevin** [US/US]; 4328 Norval

Avenue, Quartz Hill, CA 93536 (US). **RUNARSSON, Einar, Kjarten** [IS/DK]; Grundtvigs Alle 114, DK-6400 Soenderborg (DK). **HANSEN, Arne, Fink** [DK/DK]; Graevlingevej 3, DK-6300 Graasten (DK). **LUNGEANU, Florin** [RO/DK]; Reefslagervaenget 8, DK-6320 Egernsund (DK). **WESTERMANN-RASMUSSEN, Peter** [DK/DK]; Ahlmansvej 45 (i), DK-6400 Soenderborg (DK).

- (74) Agent: **FELLOWS, Gerald, L.**; Greenberg Traurig LLP, 2450 Colorado Avenue, Ste. 400E, Santa Monica, CA 90404 (US).
- (81) Designated States (unless otherwise indicated, for every kind of national protection available): AE, AG, AL, AM, AT, AU, AZ, BA, BB, BG, BH, BR, BW, BY, BZ, CA, CH, CN, CO, CR, CU, CZ, DE, DK, DM, DO, DZ, EC, EE, EG, ES, FI, GB, GD, GE, GH, GM, GT, HN, HR, HU, ID, IL, IN, IS, JP, KE, KG, KM, KN, KP, KR, KZ, LA, LC, LK, LR, LS, LT, LU, LY, MA, MD, ME, MG, MK, MN, MW, MX, MY, MZ, NA, NG, NI, NO, NZ, OM, PG, PH, PL, PT, RO, RS, RU, SC, SD, SE, SG, SK, SL, SM, SV, SY, TJ, TM, TN, TR, TT, TZ, UA, UG, US, UZ, VC, VN, ZA, ZM, ZW.
- (84) Designated States (unless otherwise indicated, for every kind of regional protection available): ARIPO (BW, GH, GM, KE, LS, MW, MZ, NA, SD, SL, SZ, TZ, UG, ZM, ZW), Eurasian (AM, AZ, BY, KG, KZ, MD, RU, TJ, TM), European (AT, BE, BG, CH, CY, CZ, DE, DK, EE, ES, FI,

[Continued on next page]

(54) Title: SPEED CONTROL



(57) Abstract: A pumping system for moving water of a swimming pool includes a water pump, an infinitely variable speed motor, and an arrangement for operating the motor. In one example, the pumping system includes a memory configured to store a plurality of retained speed values, an arrangement for providing a plurality of retained speed values to the memory, and an arrangement for reading a selected one of the plurality of retained speed values from the memory. In addition or alternatively, the pumping system includes a storage medium for digitally storing a plurality of pre-established motor speed values and an arrangement for receiving input from a user to select one of the pre-established motor speeds. In addition or alternatively, the pumping system further includes an arrangement for restarting operation of the motor at a previously selected speed value when power supplied to the motor is interrupted during operation of the motor. A method for controlling the pumping system is also provided.

WO 2008/073413 A3



FR, GB, GR, HU, IE, IS, IT, LT, LU, LV, MC, MT, NL, PL,
PT, RO, SE, SI, SK, TR), OAPI (BF, BJ, CF, CG, CI, CM,
GA, GN, GQ, GW, ML, MR, NE, SN, TD, TG).

— *before the expiration of the time limit for amending the
claims and to be republished in the event of receipt of
amendments*

Published:

— *with international search report*

(88) Date of publication of the international search report:

31 July 2008

INTERNATIONAL SEARCH REPORT

International application No.

PCT/US 07/25301

A. CLASSIFICATION OF SUBJECT MATTER

IPC(8) - F04B 49/06 (2008.01)

USPC - 417/44.1

According to International Patent Classification (IPC) or to both national classification and IPC

B. FIELDS SEARCHED

Minimum documentation searched (classification system followed by classification symbols)

IPC(8): F04B 49/06 (2008.01)

USPC: 417/44.1

Documentation searched other than minimum documentation to the extent that such documents are included in the fields searched
USPC: 417/53; 4/509,504; Classes 415, 417 and text

Electronic data base consulted during the international search (name of data base and, where practicable, search terms used)

PubWEST(USPT,PGPB,EPAB,JPAB); Google

Search Terms Used: pump, motor, memory, speed, interface, variable speed, pool

C. DOCUMENTS CONSIDERED TO BE RELEVANT

Category*	Citation of document, with indication, where appropriate, of the relevant passages	Relevant to claim No.
X	US 2001/0041139 A1 (Sabini et al.) 15 November 2001 (15.11.2001) para [0003], [0028]-[0032], [0118]; entire document	1-5, 7-12, and 14-16 -----
Y		6, 13 and 17-30
Y	US 2006/0045750 A1 (Stiles) 02 March 2006 (02.03.2006) para [0032]	23-30
Y	US 5,973,465 A (Rayner) 26 October 1999 (26.10.1999) abstract	6, 13, 17-22 and 28
A	US 2004/0013531 A1 (Curry et al.) 22 January 2004 (22.01.2004) para [0032]-[0057]	1-30

Further documents are listed in the continuation of Box C.

* Special categories of cited documents:

"A" document defining the general state of the art which is not considered to be of particular relevance

"E" earlier application or patent but published on or after the international filing date

"L" document which may throw doubts on priority claim(s) or which is cited to establish the publication date of another citation or other special reason (as specified)

"O" document referring to an oral disclosure, use, exhibition or other means

"P" document published prior to the international filing date but later than the priority date claimed

"T" later document published after the international filing date or priority date and not in conflict with the application but cited to understand the principle or theory underlying the invention

"X" document of particular relevance; the claimed invention cannot be considered novel or cannot be considered to involve an inventive step when the document is taken alone

"Y" document of particular relevance; the claimed invention cannot be considered to involve an inventive step when the document is combined with one or more other such documents, such combination being obvious to a person skilled in the art

"&" document member of the same patent family

Date of the actual completion of the international search

02 April 2008 (02.04.2008)

Date of mailing of the international search report

21 MAY 2008

Name and mailing address of the ISA/US
Mail Stop PCT, Attn: ISA/US, Commissioner for Patents
P.O. Box 1450, Alexandria, Virginia 22313-1450
Facsimile No. 571-273-3201

Authorized officer:
Lee W. Young

PCT Helpdesk: 571-272-4300
PCT OSP: 571-272-7774