



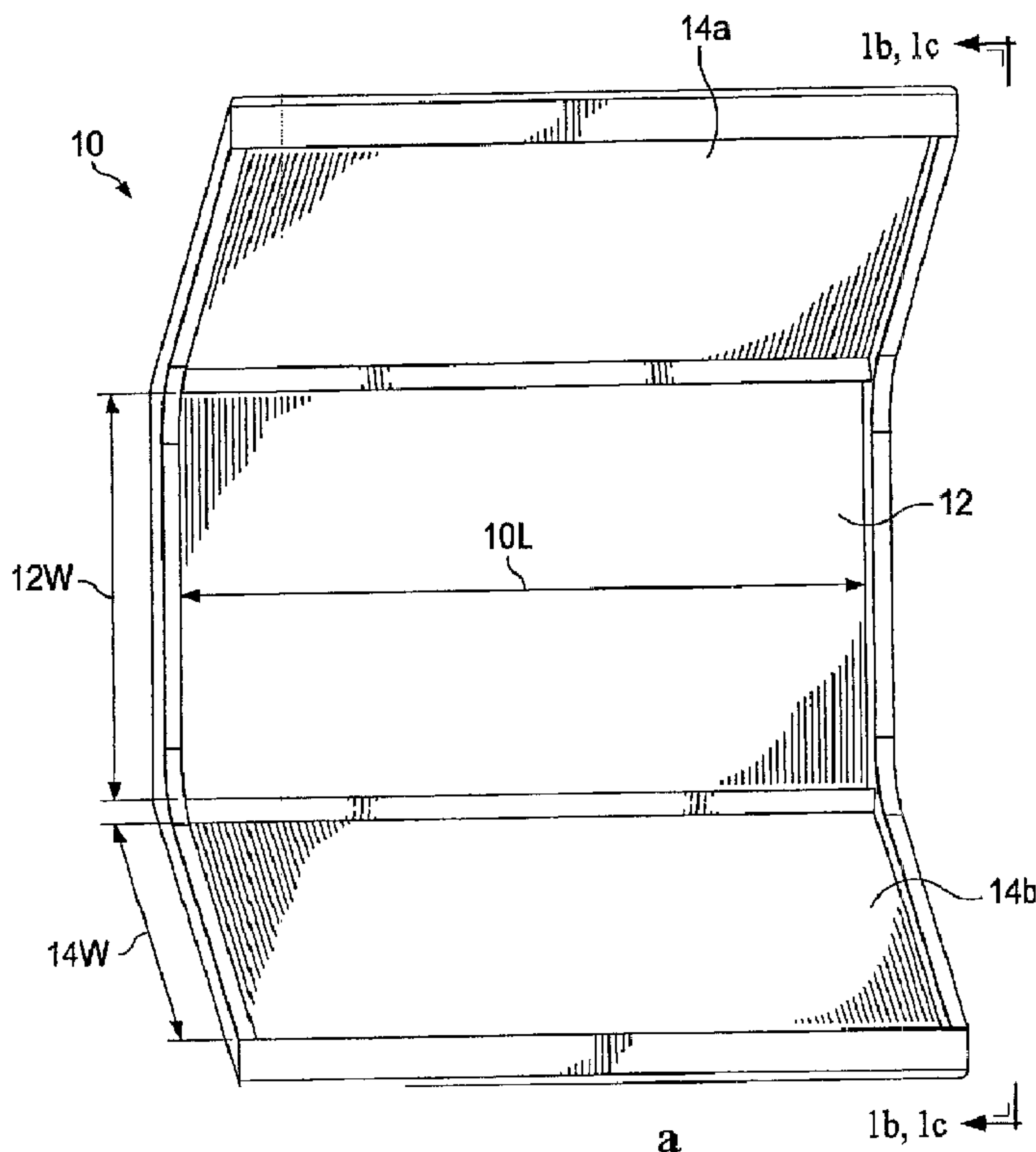
(12) **DEMANDE DE BREVET CANADIEN
CANADIAN PATENT APPLICATION**

(13) **A1**

(22) Date de dépôt/Filing Date: 2018/04/27
(41) Mise à la disp. pub./Open to Public Insp.: 2019/09/09
(30) Priorité/Priority: 2018/03/09 (US15/916,584)

(51) Cl.Int./Int.Cl. *A45D 42/00* (2006.01),
G02B 5/08 (2006.01)
(71) Demandeur/Applicant:
MYJF ENTERPRISES, LLC, US
(72) Inventeurs/Inventors:
FRIEDMAN, JANELLE, US;
RADENOVIC, MARO, US...
(74) Agent: KIRBY EADES GALE BAKER

(54) Titre : **MIROIR SERVANT A L'APPLICATION DE COSMETIQUES SUR LES YEUX**
(54) Title: **MIRROR FOR APPLYING EYE COSMETICS**



(57) **Abrégé/Abstract:**

A magnifying cosmetic mirror may provide a three-point reflection path that may be utilized to apply cosmetics around the eye of a user. The cosmetic mirror may be constructed to have a base mirror and side mirrors extending at angles from opposite sides of

(57) **Abrégé(suite)/Abstract(continued):**

the base mirror. The side mirrors may be constructed to provide a reflective view of the eye when placed above the base mirror. The base mirror may also be constructed to provide a reflective view of the eye, and each mirror may be substantially flat.

ABSTRACT

A magnifying cosmetic mirror may provide a three-point reflection path that may be utilized to apply cosmetics around the eye of a user. The cosmetic mirror may be constructed to have a base mirror and side mirrors extending at angles from opposite
5 sides of the base mirror. The side mirrors may be constructed to provide a reflective view of the eye when placed above the base mirror. The base mirror may also be constructed to provide a reflective view of the eye, and each mirror may be substantially flat.

MIRROR FOR APPLYING EYE COSMETICS**CROSS-REFERENCE TO RELATED APPLICATIONS**

[0001] This Application is a continuation-in-part of U.S. Application No. 15/398,487 filed on January 4, 2017 entitled MIRROR FOR APPLYING EYE
5 COSMETICS, which is a continuation of U.S. Application No. 14/843,569 filed September 2, 2015 entitled MIRROR FOR APPLYING EYE COSMETICS, which claims priority under 35 U.S.C. § 119(e), to Provisional Application No. 62/045,122, filed September 3, 2014, each of which are incorporated by reference in their entirety.

FIELD OF THE DISCLOSURE

10 [0002] The present disclosure is in the field of mirrors for use in the application of cosmetics to the eyes. Embodiments of the present disclosure are directed to mirrors used to apply mascara, eyeliner, false eyelashes, and other cosmetics at or near the eyes.

BACKGROUND

[0003] Many women, and indeed some men, frequently apply cosmetics of
15 various types at or near their eyes. These cosmetics include those commonly referred to as “mascara”, which are in the form of a liquid, cake, or cream composition of pigments, oils, waxes, and preservatives for darkening, thickening, lengthening, or visibly defining one’s eyelashes. Other types of eye cosmetics include false eyelashes, which may be in the form of individual lashes, eyelash extensions, or full sets of lashes, and which are
20 attached to one’s eyelashes or eyelids by way of an adhesive. Eye liner and eye shadow are other types of eye cosmetics applied to the eyelid.

[0004] The application of eye cosmetics of these various types to one's own eyes is necessarily awkward. It is easier to apply these cosmetics, particularly false eyelashes, to a closed eye – but of course the eyes must be open in order to accurately place the cosmetics. Precise application of eye cosmetics to one's own eyes, especially with the
5 precision required to attach individual false eyelashes, is thus difficult if not impossible using a conventional plane mirror.

SUMMARY

[0005] Embodiments of the present disclosure provide a mirror arrangement that may enable a person to view both the top and bottom of her eyelids and eyelashes, to assist in the application of eye cosmetics. A cosmetic mirror may provide a base mirror at a surface of a base panel that may have two long sides and two short sides. The
5 cosmetic mirror may provide a three-point reflection path that may be between a first side mirror and a second side mirror at surfaces of a first side panel and a second side panel, respectively. Each of the first and second side mirrors may be substantially flat. An angle of each of the first side mirror and the second side mirror may be equal. The first
10 side mirror and the second side mirror may produce a reflection of an object at a location that may correspond to a first vertex of a rhombus between the first side mirror and the second side mirror that may have sides of a length corresponding to a distance between the first and second side mirrors. The three-point reflection path may include the first
15 vertex, a second vertex arranged to contact the first side mirror, and a third vertex arranged to contact the second side mirror. The first side panel and the second side panel may be affixed to opposing parallel edges of the two long sides of the base panel through a first hinge and a second hinge, respectively. The first and second hinges may move the first side panel and the second side panels relative to one another between a closed
20 position and an open position at a selected angle. The selected angle may be the maximum open position of the first and second hinges. Each of the first and second hinges may have a detent at the selected angle. A magnet or a clip may be attachable to a back surface of the base panel.

[0006] Embodiments of the present disclosure provide a mirror arrangement that may provide significant magnification of the view of eyelids of user. A three-point reflection path may be provided between first and second side mirrors at surfaces of a first and a second side panel, respectively. The first and the second side panels may be
5 joined to one another along corresponding edges through a linear hinge. The linear hinge may lock at a maximum angle to which the cosmetic mirror opens. A detent may hold the linear hinge at a selected angle when the cosmetic mirror is open. The three-point reflection path may include the first vertex, a second vertex arranged to contact the first side mirror, and a third vertex arranged to contact the second side mirror. The first and
10 second side mirrors may allow a user's eye to be placed at the first vertex of the three-point reflection path such that the user may see a reflection of the top of the user's eyelid by focusing on the first or second side mirror without moving his/her head.

[0007] Embodiments of the present disclosure may provide a cosmetic mirror that may include a base panel having two long sides, two short sides and a mirrored surface.
15 A three-point reflection path between a first side panel and a second side panel may be affixed to opposing parallel edges of the two long sides of the base panel. Each of the first side panel and the second side panel may have a mirrored surface. The mirrored surfaces of the base panel and the first side panel and the second side panel may be substantially flat mirrors that may be attached to the base panel and the first side panel
20 and the second side panel, respectively. The mirrored surfaces of the first side panel and the second side panel may provide a reflection at which a user may view a top eyelid and a bottom eyelid of the user's eye without moving his/her head. The mirrored surfaces of each of the first side panel and the second side panel may produce a reflective image of

an object at a location that may correspond to a vertex of a rhombus between the mirrored surfaces of the first side panel and the second side panel that may have sides of a length corresponding to a distance between the first side panel and the second side panel. The angle of the first side panel relative to the base panel may be equal to the angle of the
5 second side panel relative to the base panel. The mirrored surface of the base panel may be substantially flat.

[0008] Other advantages and benefits of embodiments of the present disclosure will be apparent to those of ordinary skill in the art having reference to this specification.

BRIEF DESCRIPTION OF THE DRAWINGS

[0009] Figure 1a is a perspective view of a cosmetic mirror according to an embodiment of the present disclosure;

5 [0010] Figures 1b is a side elevation view of the cosmetic mirror of Figure 1a according to that embodiment;

[0011] Figure 1c is a schematic side view of the mirror surfaces of the cosmetic mirror of Figure 1a according to that embodiment;

[0012] Figure 1d is a rear view of the cosmetic mirror of Figure 1a according to an alternative implementation of that embodiment;

10 [0013] Figures 2a and 2b are perspective views of an implementation of a cosmetic mirror according to an embodiment;

[0014] Figures 2c and 2d are perspective views of a dual-purpose case and base for the cosmetic mirror of Figures 2a and 2b;

15 [0015] Figures 2e and 2f are side elevation views of the cosmetic mirror and base of Figures 2a through 2d, illustrating storage and use, respectively, of the mirror according to that embodiment;

[0016] Figures 3a and 3b are side and plan views of a collapsible mirror according to an embodiment of the present disclosure;

20 [0017] Figure 3c is a perspective view of a compact mirror according to an embodiment of the present disclosure;

[0018] Figure 4a is a schematic side view of the mirror surfaces of a compact cosmetic mirror according to another embodiment of the present disclosure;

[0019] Figure 4b is a side perspective view of the compact mirror of Figure 4a;

[0020] Figure 5a is a perspective view of a cosmetic mirror according to an embodiment of the present disclosure;

[0021] Figure 5b is a side elevation view of the cosmetic mirror of Figure 5a according to that embodiment;

5 [0022] Figure 5c is a schematic side view of the mirror surfaces of the cosmetic mirror of Figure 1a according to that embodiment;

[0023] Figure 5d is a rear view of the cosmetic mirror of Figure 1a according to an alternative implementation of that embodiment; and

[0024] Figures 6a and 6b are perspective views of an implementation of a
10 cosmetic mirror according to an embodiment.

DETAILED DESCRIPTION

[0025] The one or more embodiments described in this specification are implemented into a mirror for use in the application of eye cosmetics such as mascara, eyeliner, false eyelashes, and the like, as it is contemplated that such implementation is particularly advantageous in that context. However, it is also contemplated that concepts of the present disclosure may be beneficially applied to other uses, for example in the application of other cosmetics. Accordingly, it is to be understood that the following description is provided by way of example only, and is not intended to limit the true scope of the present disclosure as claimed.

10 [0026] Figures 1a through 1d illustrate cosmetic mirror 10 according to an embodiment of the present disclosure. As shown in Figures 1a and 1b, cosmetic mirror 10 includes base mirror 12 at a surface of base panel 16, and two side mirrors 14a, 14b at a surface of respective side panels 18a, 18b. Base panel 16 and side panels 18a, 18b may be constructed of hard plastic, metal, or another relatively stiff material. Side panels 18a, 15 18b are attached to opposing edges (typically parallel to one another) of base panel 16. In this embodiment, side panels 18a, 18b are affixed to the edges of the longer sides of base panel 16 as shown in Figures 1a through 1d.

[0027] Mirrors 12, 14a, 14b may be conventional glass or plastic mirrors attached to base panel 16 and side panels 18a, 18b, respectively, or alternatively may be mirrored surfaces of their respective panels 16, 18a, 18b. According to this embodiment, in which cosmetic mirror 10 assists the application of cosmetics such as mascara, false eyelashes of the individual and full lash type, eye liner, and the like, mirrors 12, 14a, 14b are concave mirrors with focal lengths selected so as to magnify the view of the eye when

used. As will be described in further detail below, mirrors 14a, 14b are constructed to provide particular magnification properties for an eye placed at a position, relative to cosmetic mirror 10, at which the user may view both the top eyelid and bottom eyelid without moving her head. In addition, base mirror 12 may also be magnifying with the eye at this same location, but may have a different magnification power as compared with that of mirrors 14a, 14b.

[0028] According to this example of Figures 1a through 1d, base panel 16 has length 10L that is longer than its width 12W; length 10L is effectively the length of the entirety of cosmetic mirror 10, and may be selected as desired for the particular implementation. In one example, length 10L is on the order of about five inches. Width 12W of base panel 16 in this example is on the order of 2¼ inches and defines the distance between side mirrors 14a, 14b. As will be described in further detail below, this width 12W influences or is influenced by the magnification properties of mirrors 14a, 14b. The width 12W of base panel 16 may or may not exactly correspond to the width of base mirror 12, for example if base mirror 12 is a concave mirror as described below. The width 14W of side panels 18 and side mirrors 14 can be selected as desired, so long as that width (along with the angles of side panels 18 from base panel 16) allows the user to place her eye at a suitable location to view both the top and bottom of her eye. In one example, width 14W may range from on the order of about 1 inch to about 3 inches.

[0029] As will be evident from this description, cosmetic mirror 10 is constructed in such a manner to assist the user to apply cosmetics at or near her eyes. This feature results from each of side panels 18a, 18b being attached to base panel 16 at, or positionable to, an obtuse angle (*i.e.*, an angle greater than 90°) relative to base panel 16,

which in this embodiment positions side mirrors 14a, 14b at an obtuse angle relative to base mirror 12. As will be described below, because base mirror 12 and side mirrors 14a, 14b are magnifying mirrors, such as spherical concave mirrors, these angles correspond to the angles of the tangent lines to those mirrors at their respective vertices, *i.e.* the angles between those mirrors if constructed as plane mirrors. According to this definition, as shown in Figure 1b, side mirror 14a is at obtuse angle $\theta(a)$ relative to base mirror 12, and side mirror 14b is at obtuse angle $\theta(b)$ relative to base mirror 12. It is contemplated that angles $\theta(a)$ and $\theta(b)$ will typically be equal to one another; alternatively, these angles $\theta(a)$ and $\theta(b)$ may differ in some implementations. For example, each of angles $\theta(a)$ and $\theta(b)$ may range from about 110° to about 160° . As will be described in further detail below, these angles $\theta(a)$ and $\theta(b)$ also influence or are influenced by the magnification properties of mirrors 14a, 14b, as will now be described with reference to Figure 1c.

[0030] According to this embodiment, as mentioned above, side mirrors 14a, 14b are magnifying mirrors. In particular, side mirrors 14a, 14b are each constructed as substantially spherical concave mirrors with a radius of curvature sufficiently large that, in normal use of cosmetic mirror 10, the user's eye will be at a distance from each of side mirrors 14a, 14b that is shorter than the focal length. For purposes of this description, the term "substantially spherical" refers to a surface that is not perfectly spherical but is sufficiently close to being spherical so as to behave similarly to a perfectly spherical surface within the context of these embodiments. Because the user's eye is at a distance from each of side mirrors 14a, 14b shorter than the focal length, the virtual image of the eye in those mirrors will be upright (*i.e.*, not inverted) and magnified.

[0031] As mentioned above, the geometry of cosmetic mirror 10, in particular width $12W$ of base panel 16 that defines the distance between side mirrors 14a, 14b, and angles $\theta(a)$ and $\theta(b)$ of side mirrors 14a, 14b relative to base mirror 12, constrains the focal length and thus the magnification of side mirrors 14a, 14b. This interaction among
5 width $12W$, radii of curvature of side mirrors 14a, 14b, and angles $\theta(a)$ and $\theta(b)$ of side mirrors 14a, 14b relative to base mirror 12, can be considered with reference to equilateral triangle 15 shown in Figure 1c. In the orientation of Figure 1c, the user is looking downward into cosmetic mirror 10, with side mirror 14a below her eye and side mirror 14b above her eye. If the user places her eye E at or near a vertex of equilateral
10 triangle 15, where one of the sides of equilateral triangle 15 is the horizontal distance between side mirrors 14a, 14b (*e.g.*, at the vertices of these concave mirrors), cosmetic mirror 10 is constructed so that she can see a magnified reflection of her eye from straight ahead in base mirror 12 and, without moving her head but only by directing the focus of her eye E, can see a magnified reflection of the top of her eyelid in the lower-positioned
15 side mirror 14a and a magnified reflection of the bottom of her eyelid in the upper-positioned side mirror 14b. In effect, the user sees the top of her eyelid by focusing downward to side mirror 14a, and sees the bottom of her eyelid by focusing upward to side mirror 14b. But in both cases, the view of her eye is magnified by the curvature of side mirrors 14a, 14b, significantly facilitating the application of eye cosmetics according
20 to this embodiment. The open sides of cosmetic mirror 10, namely the sides at which side mirrors 14a, 14b are not attached, allow access to the eye region by the user so that she can apply the desired cosmetic products.

[0032] According to one implementation of cosmetic mirror 10, width 12W is about 2¼ inches and angles $\theta(a)$ and $\theta(b)$ are equal to each other at $\theta=120^\circ$. In this example, side mirrors 14a, 14b are constructed to have a 5X magnification for an object (*i.e.*, user's eye E) at a distance EYE_DIST of about 4½ inches above the center of base mirror 12 (*i.e.*, the vertex of equilateral triangle 15). At this position, the user can see a magnified view of the top of her eyelid in side mirror 14a and a magnified view of the bottom of her eyelid in side mirror 14b, as well as a magnified straight-on view of her eye in base mirror 12, without moving her head.

[0033] Changes in any one of the parameters of width 12W of base panel 16 and angles $\theta(a)$ and $\theta(b)$ can affect the focal length, and thus the magnification, of side mirrors 14a, 14b. For example, if width 12W is made wider, the focal length of side mirrors 14a, 14b will need to increase (*i.e.*, the radius of curvature will increase) in order to ensure a magnified upright image of the user's eye at the increased distance. Conversely, if the radius of curvature of side mirrors 14a, 14b is reduced in order to increase the magnification, width 12W of base panel 16 will need to decrease, or angles $\theta(a)$ and $\theta(b)$ will need to decrease, in order for the position of the user's eye E to be closer to side mirrors 14a, 14b and stay in front of the focal point of side mirrors 14a, 14b; this situation may also require shortening of the height of side mirrors 14a, 14b above base mirror 12 to accommodate the user's face at that closer distance. For cosmetic mirror 10 of the dimensions described above, angles $\theta(a)$ and $\theta(b)$ should range from about 110° to about 130° .

[0034] It is contemplated that those skilled in the art having reference to this specification, in particular the relationships among the construction parameters and

magnifying side mirrors 14a, 14b described above, will be readily able to construct a particular desired mirror arrangement without undue experimentation.

[0035] Base mirror 12 is also preferably a magnifying mirror in this embodiment, for example also constructed as a substantially spherical concave mirror (curvature not shown in Figure 1c for the sake of clarity). The magnification of base mirror 12 does not affect the interacting magnification and angles θ of side mirrors 14a, 14b, nor does it directly affect width 12W. As such, the magnification of base mirror 12 can be independently selected to provide the desired result. For the example described above in which side mirrors 14a, 14b have a magnification of about 5X, base mirror 12 may have a magnification of about 10X for eye E in the location shown in Figure 1c.

[0036] Figure 1d illustrates the back of one implementation of cosmetic mirror 10. In this example, the back side of base panel 16 is provided with optional adhering strip 17 for mounting cosmetic mirror 10 to a vertical surface, such as a bathroom mirror. Adhering strip 17 may be manufactured into base panel 16, or alternatively may be provided as a customer option, for example in the form of a peel-and-stick strip. Further in the alternative, adhering strip 17 may be constructed as a magnetic strip, so that cosmetic mirror 10 may be removably mounted to a vertical surface, or adhering strip 19 may be a double-sided adhesive strip to provide a more permanent mount. A logo may be provided on the back side of base panel 16, for branding purposes.

[0037] Figures 2a through 2f illustrate the arrangement of a cosmetic mirror system including cosmetic mirror 10 as described above in combination with base 20 according to an embodiment. In this embodiment, base 20 also serves as a container for mirror 10 when not in use. Figure 2a illustrates a particular implementation of cosmetic

mirror 10 of Figures 1a through 1d, in which base panel 16' has short wall portions that enclose base mirror 12, and in which side panels 18a', 18b' similarly have short wall portions that enclose side mirrors 14a, 14b, respectively. In this arrangement, as shown in the bottom perspective of Figure 2b, diagonally opposite corners of the underside of base panel 16' are each provided with a circular foot 19 of a selected diameter, and the other diagonally opposite corners of the underside of base panel 16' are each provided with a circular foot 21 of a larger diameter than that of feet 19. For example, if base panel 16' is constructed of molded plastic, feet 19, 21 may be formed as molded protrusions of the molded body forming base panel 16'. It is contemplated that base panel 16' and side panels 18a', 18b' may be molded as a unitary whole; alternatively, these elements may be separately molded and then attached to one another when assembled. In this example shown in Figure 2b, feet 19, 21 are in the shape of a torus; the particular size and shape of feet 19, 21 will correspond to the construction of base 20, as will now be described with reference to Figures 2c and 2d.

15 **[0038]** Base 20 of Figures 2c is formed as an open-top container, with rectangular base panel 26, two trapezoidal side panels 24, and two rectangular side panels 25. Trapezoidal side panels 24 each have their shorter parallel side attached to a side of base panel 26, so that they extend substantially perpendicularly from opposing sides of base panel 26. Rectangular side panels 25 have one side attached to a side of base panel 26 so as to oppose one another, and to extend away from base panel 26 at the angles defined by the non-parallel sides of trapezoidal side panels 24. The adjacent sides of panels 25, 26 are attached to one another. Base 20 may be constructed of molded plastic, in which case base panel 26 and side panels 24, 25 may be molded into base 20 as a unitary whole;

alternatively, these elements may be separately molded and then attached to one another when assembled. According to this embodiment, base panel 26 has an instance of hole 22 at diagonally opposing corners, while the other pair of diagonally opposing corners of base panel 26 has an instance of larger-diameter hole 23. Holes 22 are formed to have a size and a shape corresponding to the size and shape of feet 19 at base panel 16' of cosmetic mirror 10, and holes 23 are formed to have a size and shape corresponding to the size and shape of feet 21 at base panel 16'.

[0039] In this example, holes 22, 23 in base panel 26 of base 20 are circular, of a size suitable to snugly accept corresponding feet 19, 21, respectively, of base panel 16' if oriented accordingly. For example, the size of holes 22, 23 may closely match the outer diameter of feet 19, 21, respectively. With this close correspondence in sizes, the torus shape of feet 19, 21 will allow some flexure when inserted into their respective holes 22, 23, resulting in a snap fit. The diagonal orientation of feet 19 of one size relative to feet 21 of another size, in combination with the similar orientation of holes 22, 23, allow for this snap fit of cosmetic mirror 10 into base 20 in one orientation of base 20, but not with base 20 in another orientation, as will now be described.

[0040] Base 20 has a size corresponding to that of cosmetic mirror 10. More specifically, the interior volume of base 20 is sized to accommodate the placement of cosmetic mirror 10 into base 20, with side panels 18a', 18b' of cosmetic mirror 10 along the interior sides of rectangular side panels 25 of base 20. Figure 2e illustrates, in cross-section, cosmetic mirror 10 placed within base 20. It is desirable that the interior volume of base 20 be only slightly larger than the exterior dimensions of cosmetic mirror 10 for a close but not tight fit, as suggested by Figure 2e. In this embodiment, the orientation of

holes 22, 23 of base panel 26 of base 20 is selected so that larger feet 21 of base panel 16' match up with smaller holes 22 of base panel 26 of base 20 when cosmetic mirror 10 is placed within the interior of base 20, as shown in Figure 2e. This prevents cosmetic mirror 10 from snapping into place in this orientation, which is contemplated to be convenient for packaging and initial use by a purchaser, while still enabling base 20 to provide secure and protective storage for cosmetic mirror 10 when not in use.

[0041] In its opposite orientation according to this embodiment, base 20 serves as a stand for cosmetic mirror 10 when in use, as will now be described relative to Figure 2f. This is accomplished by removing cosmetic mirror 10 from the interior of base 20, turning base 20 over so as to set its larger open end on a table or vanity surface, and then setting cosmetic mirror 10 onto base panel 26 of the overturned base 20. In this orientation, smaller feet 19 will mate with smaller holes 22 of base panel 26, and larger feet 21 will mate with larger holes 23 of base panel 26, such that feet 19, 21 fit through and snap into holes 22, 23, respectively, as shown in Figure 2f. Base 20 thus serves as a stand for cosmetic mirror 10, bringing it closer to a comfortable height so that the user can position her eye at the appropriate distance from base mirror 12 and side mirrors 14a, 14b in the manner discussed above, without cosmetic mirror 10 at a risk of sliding off base 20.

[0042] Alternatively to the use of cosmetic mirror 10 in the orientation of Figures 1c and 2f, in which the user looks down into cosmetic mirror 10, cosmetic mirror 10 may be used in other orientations. For example, if optional adhering strip 17 is applied as shown in Figure 1d, cosmetic mirror 10 may be mounted to a vertical surface, such as a bathroom mirror, in which case the user would look straight-ahead toward the vertically-

oriented base mirror 12. Further in the alternative, cosmetic mirror 10 may simply be handheld in a comfortable orientation for the user to apply the desired eye cosmetics. In each of these cases, it is contemplated that the user will place her eye somewhat close to mirrors 12, 14a, 14b as discussed above relative to Figure 1c, to obtain the benefit of seeing her top and bottom eyelashes in corresponding side mirrors 14a, 14b, while looking directly into base mirror 12 to see her lashes in direct view.

[0043] In each of these arrangements, cosmetic mirror 10 may be reversed in use so that side mirror 14b is at the top of base mirror 12, and side mirror 14a is at the bottom of base mirror 12; if angles $\theta(a)$ and $\theta(b)$ are the same as one another and if the magnification is the same for side mirrors 14a, 14b, no difference in use will result. However, if these angles or magnifications differ, different users may find reversal of the angles to be preferable.

[0044] Alternative embodiments are contemplated in which hinges are used to attach the side panels and side mirrors to the base panel and base mirror. An example of these alternative embodiments will now be described relative to Figures 3a through 3c.

[0045] Figure 3a illustrates a side view of cosmetic mirror 30 according to another embodiment. In this example, cosmetic mirror 30 includes base panel 36 having side panels 38a, 38b attached at its opposing edges. In this example, side panel 38a is attached to an edge of base panel 36 by way of hinge 39a, and side panel 38b is attached to an edge of base panel 36 by way of hinge 39b. Hinges 39a, 39b fold their respective side panels 38a, 38b inwardly toward base panel 36, for example to allow cosmetic mirror 30 to fold closed. Figure 3b illustrates cosmetic mirror 30 in a fully closed position (with a logo on the outside of one of side panels 38, for branding purposes).

[0046] As shown in Figure 3a, a gap may be provided between the edges of base panel 36 and side panels 38a, 38b, at hinges 39a, 39b, respectively, to define a maximum angle to which side panels 38a, 38b may be opened. This maximum angle may be the preferred angle for use in the application of mascara, or alternatively hinges 39a, 39b may be constructed to hold the position of side panels 38a, 38b at any angle between closed and this maximum angle, as desired by the user.

[0047] Cosmetic mirror 30 of this embodiment may be constructed of a size suitable for home use, similar to that described above relative to Figures 1a through 1d. However, the provision of hinges 39a, 39b and the foldability of cosmetic mirror 30 of this embodiment is especially suited for a "travel size" model. As shown in Figure 3c, an example of travel size cosmetic mirror 30' has a length 30L of on the order of 2 1/8 inches, with width 32W of base mirror 312 and base panel 36 on the order of 1 1/2 inches, and widths 34W of each side panel 38 and side mirror 34 on the order of 1/2 inch. Again, the sizes of panels 36, 38 of this foldable cosmetic mirror 30 may of course vary, depending on the desired implementation.

[0048] Referring now to Figures 4a and 4b, foldable cosmetic mirror 40 according to another embodiment will now be described, with reference to a schematic side view of mirror 40 in an open position. Cosmetic mirror 40 of this embodiment differs from the embodiment of Figures 3a through 3c by the absence of a base mirror and corresponding base panel. Rather, cosmetic mirror 40 in this embodiment is constructed to have two side panels 46a, 46b joined to one another along corresponding edges by linear hinge 42, as shown in Figure 4b. Side panels 46a, 46b have concave mirrors 44a, 44b disposed on their facing sides; mirrors 44a, 44b may be constructed as

mirrored concave surfaces of side panels 46a, 46b or may be mirrors that are attached to surfaces of side panels 46a, 46b, as discussed above. In this embodiment, hinge 42 allows side panels 46a, 46b to open and close upon one another (*i.e.*, with mirrors 44a, 44b, shown in an exaggerated fashion in the schematic view of Figure 4a, closed upon one another). Preferably, hinge 42 can lock so that each of concave mirrors 44a, 44b is at a preferred angle ϕ relative to one another, as shown in Figure 4a for mirror 44b. In this embodiment, angle ϕ is the angle between the tangent lines to concave mirrors 44a, 44b at their respective vertices. This angle ϕ may be the maximum angle to which mirror 40 opens, or alternatively may be indicated by a detent or other mechanism for holding mirror 40 at that angle ϕ . It is contemplated that compact foldable mirror 40 will typically be handheld when used in the application of eye cosmetics.

[0049] According to this embodiment, mirrors 44a, 44b are constructed to have focal lengths (*i.e.*, radii of curvature) that, in combination with angle ϕ , allow the user to place her eye E at the vertex of an equilateral triangle 45 such that she can see a magnified reflection of the top of her eyelid by focusing downward to lower-positioned side mirror 44a and a magnified reflection of the bottom of her eyelid by focusing upward to the upper-positioned side mirror 44b, without moving her head. In one example, mirrors 44a, 44b are constructed to have focal lengths that provide a magnification of about 5X for eye E at when open to an angle ϕ of about 60° , for the case in which points near the vertices of mirrors 44a, 44b are about a distance of about $3\frac{3}{4}$ inches from one another (*i.e.*, the length of one side of equilateral triangle 45). Accordingly, it is contemplated that compact mirror 40 according to this embodiment

will provide a convenient compact mirror that can significantly facilitate the application of eye cosmetics.

[0050] Figures 5a through 5d illustrate cosmetic mirror 50 according to an embodiment of the present disclosure. As shown in Figures 5a through 5d, cosmetic mirror 50 may include base mirror 52 at a surface of base panel 56, and two side mirrors 54a, 54b at a surface of respective side panels 58a, 58b. Base panel 56 and side panels 58a, 58b may be constructed of hard plastic, metal, or another relatively stiff material. Side panels 58a, 58b may be attached to opposing edges (typically parallel to one another) of base panel 56. In this embodiment, side panels 58a, 58b may be affixed to the edges of the longer sides of base panel 56, as shown in Figures 5a-5d.

[0051] Mirrors 52, 54a, 54b may be conventional glass or plastic mirrors attached to base panel 56 and side panels 58a, 58b, respectively, or alternatively may be mirrored surfaces of their respective panels 56, 58a, 58b. According to this embodiment, in which cosmetic mirror 50 assists the application of cosmetics such as mascara, false eyelashes of the individual and full lash type, eye liner, and the like, mirrors 52, 54a, 54b may be substantially flat mirrors that may not have a focal length so as to reflect the view of the eye when used. As will be described in further detail below, side mirrors 54a, 54b may be constructed to provide particular reflective properties for an eye placed at a position, relative to cosmetic mirror 50, at which the user may view both the top eyelid and bottom eyelid without moving her head. In addition, base mirror 52 may also be reflective with the eye at this same location.

[0052] According to this example of Figures 5a through 5d, base panel 56 may have length 50L (FIG. 5a) that may be longer than its width 52W (FIG. 5a); length 50L

may be effectively the length of the entirety of cosmetic mirror 50, and may be selected as desired for the particular implementation. In one example, length 50L may be on the order of approximately five inches. Width 52W of base panel 56, in this example, may be on the order of approximately 2¼ inches and may define the distance between side mirrors 54a, 54b. As will be described in further detail below, this width 52W influences or is influenced by the magnification properties of side mirrors 54a, 54b. The width 52W of base panel 56 may or may not exactly correspond to the width of base mirror 52, for example, if base mirror 52 is a concave mirror as described below. The width 54W of side panels 58a, 58b and side mirrors 54a, 54b may be selected as desired, so long as that width (along with the angles of side panels 58a, 58b from base panel 56) allows the user to place her eye at a suitable location to view both the top and bottom of her eye. In one example, width 54W may range from on the order of approximately 1 inch to about 3 inches.

[0053] As will be evident from this description, cosmetic mirror 50 may be constructed in such a manner to assist the user to apply cosmetics at or near her eyes. This feature may result from each of side panels 58a, 58b that may be attached to base panel 56 at, or positionable to, an obtuse angle (*i.e.*, an angle greater than 90°) relative to base panel 56, which in this embodiment positions side mirrors 54a, 54b at an obtuse angle relative to base mirror 52. As will be described below, base mirror 52 and side mirrors 54a, 54b may be flat mirrors. The angles of base mirror 52 and side mirrors 54a, 54b may correspond to the angles of the tangent lines to those mirrors at their respective vertices. According to this definition, as shown in Figure 5b, side mirror 54a is at angle $\theta(a)_5$ relative to base mirror 52, and side mirror 54b is at angle $\theta(b)_5$ relative to base

mirror 52. It is contemplated that angles $\theta(a)_5$ and $\theta(b)_5$ will typically be equal to one another; alternatively, these angles $\theta(a)_5$ and $\theta(b)_5$ may differ in some implementations. For example, each of angles $\theta(a)_5$ and $\theta(b)_5$ may range from approximately 100° to approximately 110° . As will be described in further detail below, these angles $\theta(a)_5$ and $\theta(b)_5$ may influence or may be influenced by the reflection of mirrors 54a, 54b, as will now be described with reference to Figure 5c.

[0054] As mentioned above, the geometry of cosmetic mirror 50, in particular width 52W of base panel 56 that defines the distance between side mirrors 54a, 54b, and angles $\theta(a)_5$ and $\theta(b)_5$ of side mirrors 54a, 54b relative to base mirror 52. This interaction among width 52W and angles $\theta(a)_5$ and $\theta(b)_5$ of side mirrors 54a, 54b relative to base mirror 52, may be considered with reference to rhombus 55 shown in Figure 5c. In the orientation of Figure 5c, the user may be looking downward into cosmetic mirror 50, with side mirror 54a below her eye and side mirror 54b above her eye. Mirror 50 may provide a three-point reflection that may be vertices of rhombus 55. If the user places her eye E at or near a vertex of rhombus 55 (e.g. at a point of rhombus 55 formed by the longest sides of rhombus 55), where opposite vertices of the shortest width of rhombus 55 contact side mirrors 54a, 54b.

[0055] Cosmetic mirror 50 may be constructed so that the user can see a reflection of her eye from straight ahead in base mirror 52 and, without moving her head but only by directing the focus of her eye E, can see a reflection of the top of her eyelid in the lower-positioned side mirror 54a and a reflection of the bottom of her eyelid in the upper-positioned side mirror 54b. In effect, the user sees the top of her eyelid by focusing downward to side mirror 54a, and sees the bottom of her eyelid by focusing

upward to side mirror 54b. But in both cases, the view of her eye is reflected by side mirrors 54a, 54b, significantly facilitating the application of eye cosmetics according to this embodiment of the present disclosure.

[0056] According to one implementation of cosmetic mirror 50, width 52W is approximately $2\frac{1}{4}$ inches and angles $\theta(a)$ and $\theta(b)$ may be equal to each other at approximately $\theta=100^\circ$ to 110° . In this example, side mirrors 54a, 54b are constructed to reflect an object (*i.e.*, user's eye E) at a distance EYE_DIST above the center of base mirror 52 (*i.e.*, the vertex of rhombus 55). At this position, the user can see a reflection of the top of her eyelid in side mirror 54a and a reflection of the bottom of her eyelid in side mirror 54b, as well as a straight-on reflection of her eye in base mirror 52, without moving her head.

[0057] Figure 5d illustrates the back of one implementation of cosmetic mirror 50. In this example, the back side of base panel 56 may be provided with a magnet-based and/or a clip-based attachment for mounting cosmetic mirror 50 to a vertical surface, such as a bathroom mirror. A logo may be provided on the back side of base panel 16, for branding purposes.

[0058] Figures 6a and 6b illustrate base 60 according to an embodiment of the present disclosure. Figure 6a illustrates an implementation of cosmetic mirror 50 of Figures 5a through 5d, in which base panel 56 may have short wall portions that may enclose base mirror 52, and in which side panels 58a, 58b similarly have short wall portions that may enclose side mirrors 54a, 54b, respectively. In this arrangement, as shown in the bottom perspective of Figure 6b, corners of base panel 66 may each be provided with hole 63. In this example, holes 63 in base panel 66 of base 60 may be

circular, of a size suitable to snugly accept corresponding feet 51, respectively, of base panel 56 if oriented accordingly. For example, the size of holes 63 may closely match the outer diameter of feet 51. With this close correspondence in sizes, the torus shape of feet 51 may allow some flexure when inserted into their respective holes 63 resulting in a snap fit. Base 60 may have a size corresponding to that of cosmetic mirror 50. More specifically, the interior volume of base 60 may be sized to accommodate the placement of cosmetic mirror 50 into base 60, with side panels 58a, 58b of cosmetic mirror 50 along the interior sides of rectangular side panels 65 of base 60. Cosmetic mirror 50 may be located or placed in a desired position by orienting feet 51 in holes 63 that may be provided by base panel 66. It should be appreciated that magnets may be placed in two centrally positioned recesses on cosmetic mirror 50 and may align two ferrous metal disks in the same position on base panel 66 of base 60.

[0059] While one or more embodiments have been described in this specification, it is of course contemplated that modifications of, and alternatives to, these embodiments, such modifications and alternatives capable of obtaining one or more the advantages and benefits of the present disclosure, will be apparent to those of ordinary skill in the art having reference to this specification and its drawings. It is contemplated that such modifications and alternatives are within the scope of the present disclosure as subsequently claimed herein.

20

CLAIMS

1. A cosmetic mirror comprising:

a base mirror at a surface of a base panel having two long sides and two short sides; and

5 a three-point reflection path between a first side mirror and a second side mirror at surfaces of a first side panel and a second side panel respectively, the first side panel and the second side panel affixed to opposing parallel edges of the two long sides of the base panel.

2. The cosmetic mirror of claim 1 wherein each of the first side mirror and
10 the second side mirror is substantially flat.

3. The cosmetic mirror of claim 1 wherein an angle of each of the first side mirror and the second side mirror is equal.

4. The cosmetic mirror of claim 1 wherein the first side mirror and the second side mirror produce a reflection of an object at a location corresponding to a first
15 vertex of a rhombus between the first side mirror and the second side mirror.

5. The cosmetic mirror of claim 4 wherein the three-point reflection path includes the first vertex, a second vertex arranged to contact the first side mirror, and a third vertex arranged to contact the second side mirror.

6. The cosmetic mirror of claim 1 wherein the first side panel and the second
20 side panel are affixed to opposing parallel edges of the two long sides of the base panel through a first hinge and a second hinge, respectively.

7. The cosmetic mirror of claim 6 wherein the first and second hinges move the first side panel and the second side panel relative to one another between a closed position and an open position at a selected angle.

8. The cosmetic mirror of claim 6 wherein the selected angle is the maximum
5 open position of the first and second hinges.

9. The cosmetic mirror of claim 6 wherein each of the first and second hinges has a detent at the selected angle.

10. The cosmetic mirror of claim 1 further comprising:
a magnet or a clip attachable to a back surface of the base panel.

10

11. A cosmetic mirror comprising:

a three-point reflection path provided between first and second side mirrors at surfaces of a first and a second side panel respectively, the first and the second side panels joined to one another along corresponding edges through a linear hinge.

5 12. The cosmetic mirror of claim 11 wherein the linear hinge locks at a maximum angle to which the cosmetic mirror opens.

13. The cosmetic mirror of claim 11 further comprising:

a detent which holds the linear hinge at a selected angle when the cosmetic mirror is open.

10 14. The cosmetic mirror of claim 11, wherein the three-point reflection path includes the first vertex, a second vertex arranged to contact the first side mirror, and a third vertex arranged to contact the second side mirror, and wherein the first and second side mirrors allow a user's eye to be placed at the first vertex of the three-point reflection path such that the user can see a reflection of the top of the user's eyelid by focusing on
15 the first or second side mirror without moving his/her head.

15. A cosmetic mirror comprising:

a base panel having two long sides, two short sides and a mirrored surface; and

a three-point reflection path between a first and a second side panel affixed to
opposing parallel edges of the two long sides of the base panel, each of the first side
5 panel and the second side panel having a mirrored surface.

16. The cosmetic mirror of claim 15 wherein the mirrored surfaces of the base
panel and the first side panel and second side panel are substantially flat mirrors attached
to the base panel and the first side panel and the second side panel, respectively.

17. The cosmetic mirror of claim 15 wherein the mirrored surfaces of the first
10 side panel and the second side panel provide a reflection at which a user can view a top
eyelid and a bottom eyelid of the user's eye without moving his/her head.

18. The cosmetic mirror of claim 15 wherein the mirrored surfaces of each of
the first side panel and the second side panel produces a reflective image of an object at a
location corresponding to a vertex of a rhombus between the mirrored surfaces of the first
15 side panel and the second side panel having sides of a length corresponding to a distance
between the first side panel and the second side panel.

19. The cosmetic mirror of claim 15 wherein the angle of the first side panel
relative to the base panel is equal to the angle of the second side panel relative to the base
panel.

20. The cosmetic mirror of claim 15 wherein the mirrored surface of the base
20 panel is substantially flat.

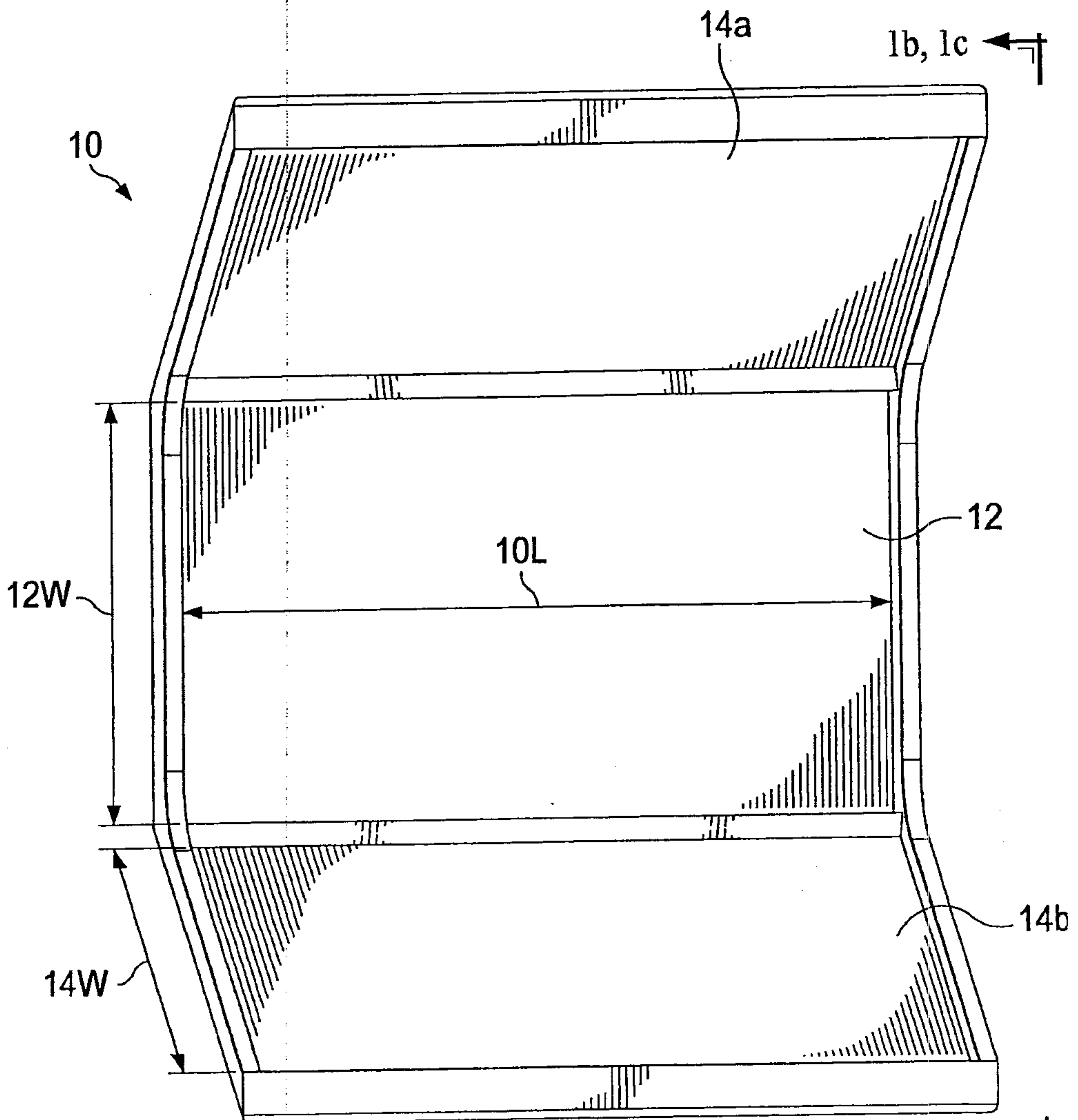


FIG. 1a

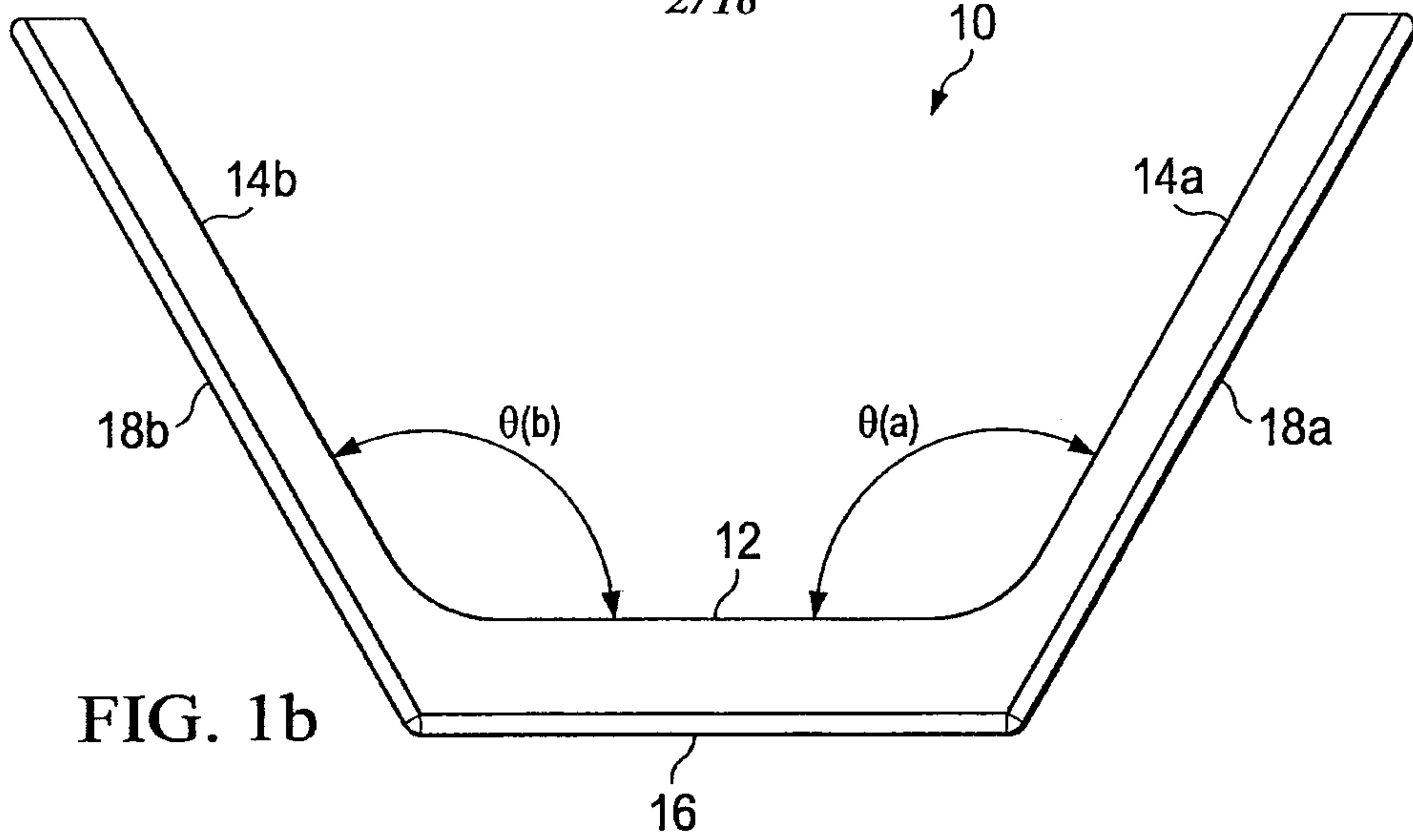


FIG. 1b

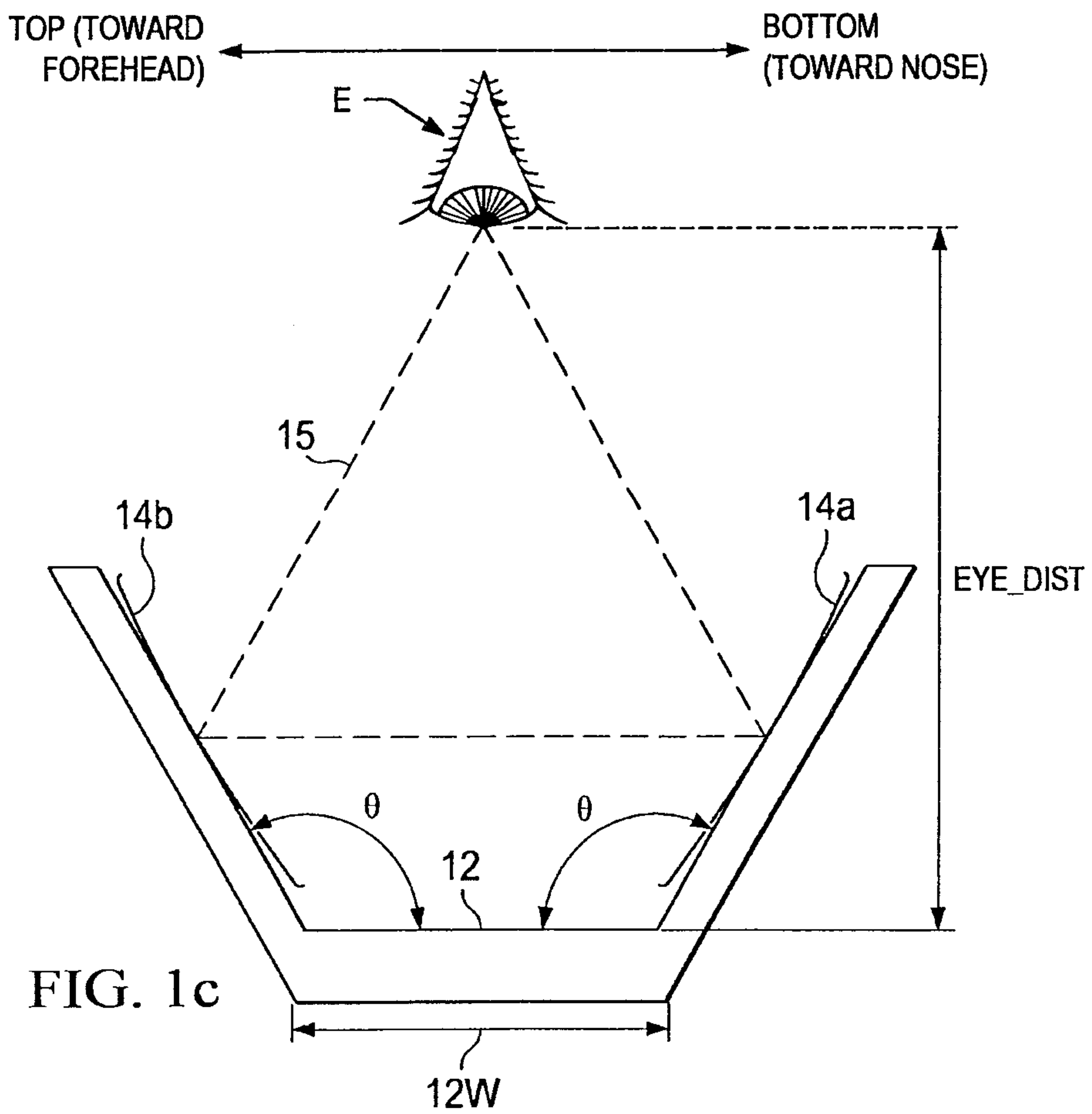
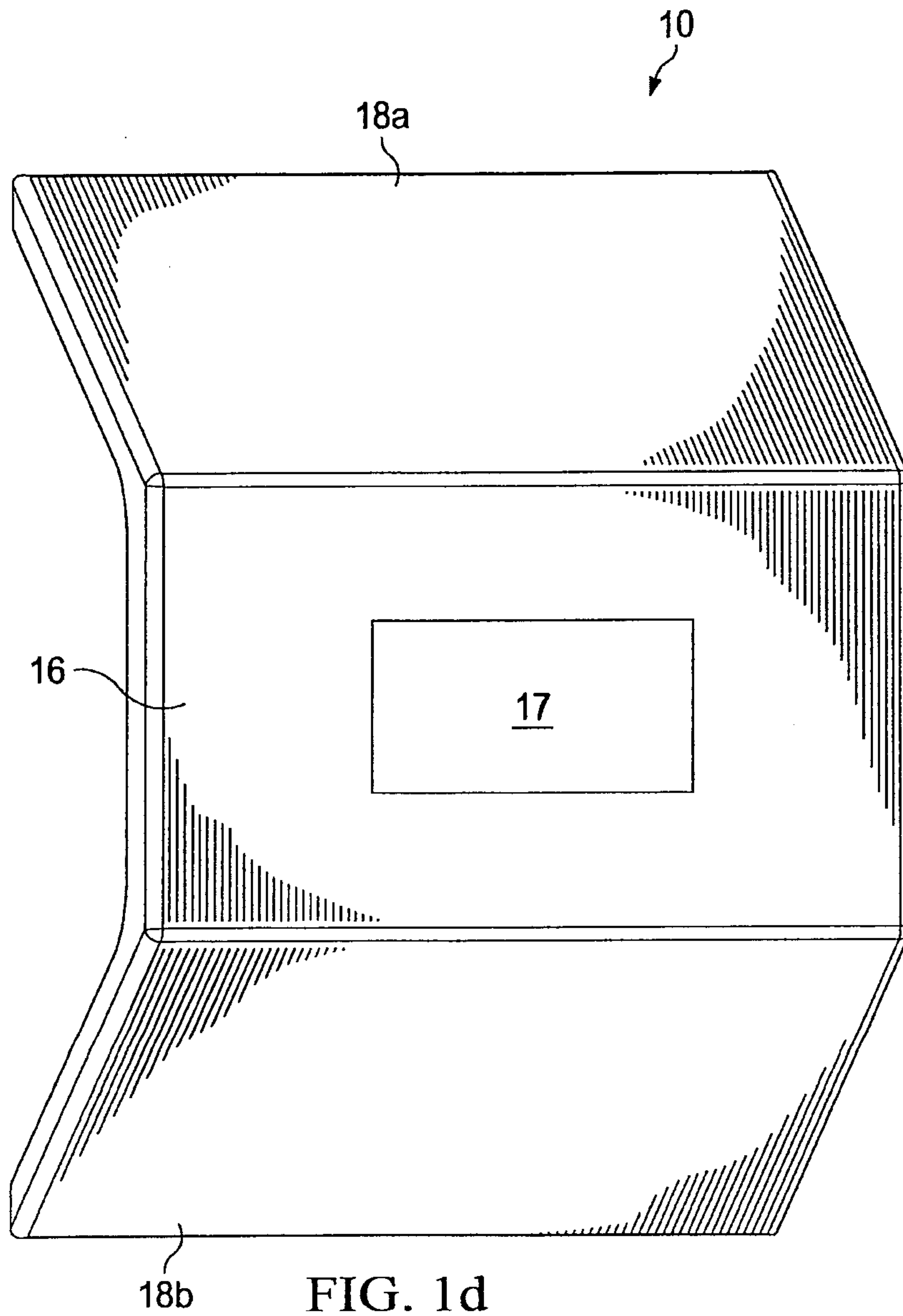


FIG. 1c



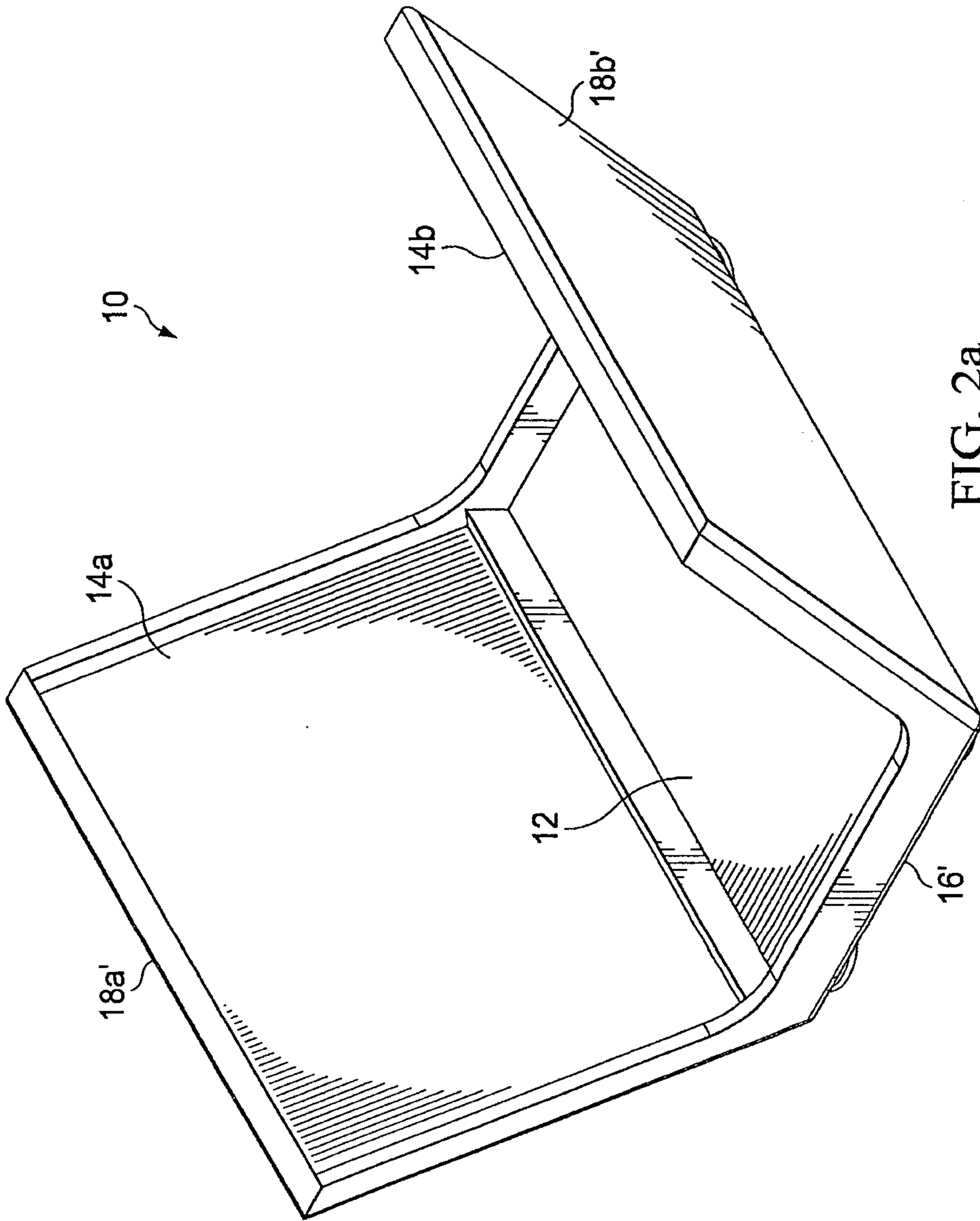


FIG. 2a

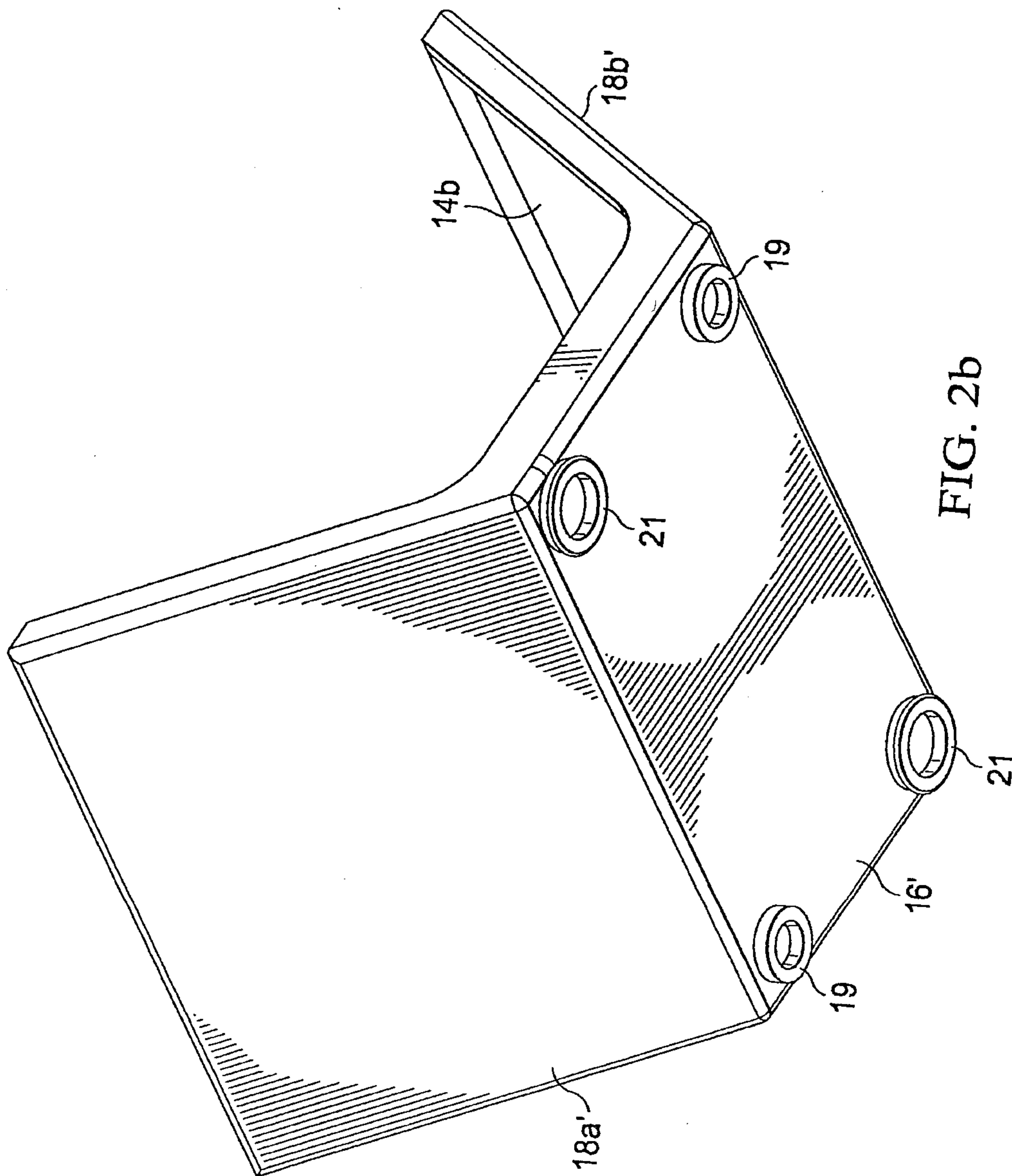


FIG. 2b

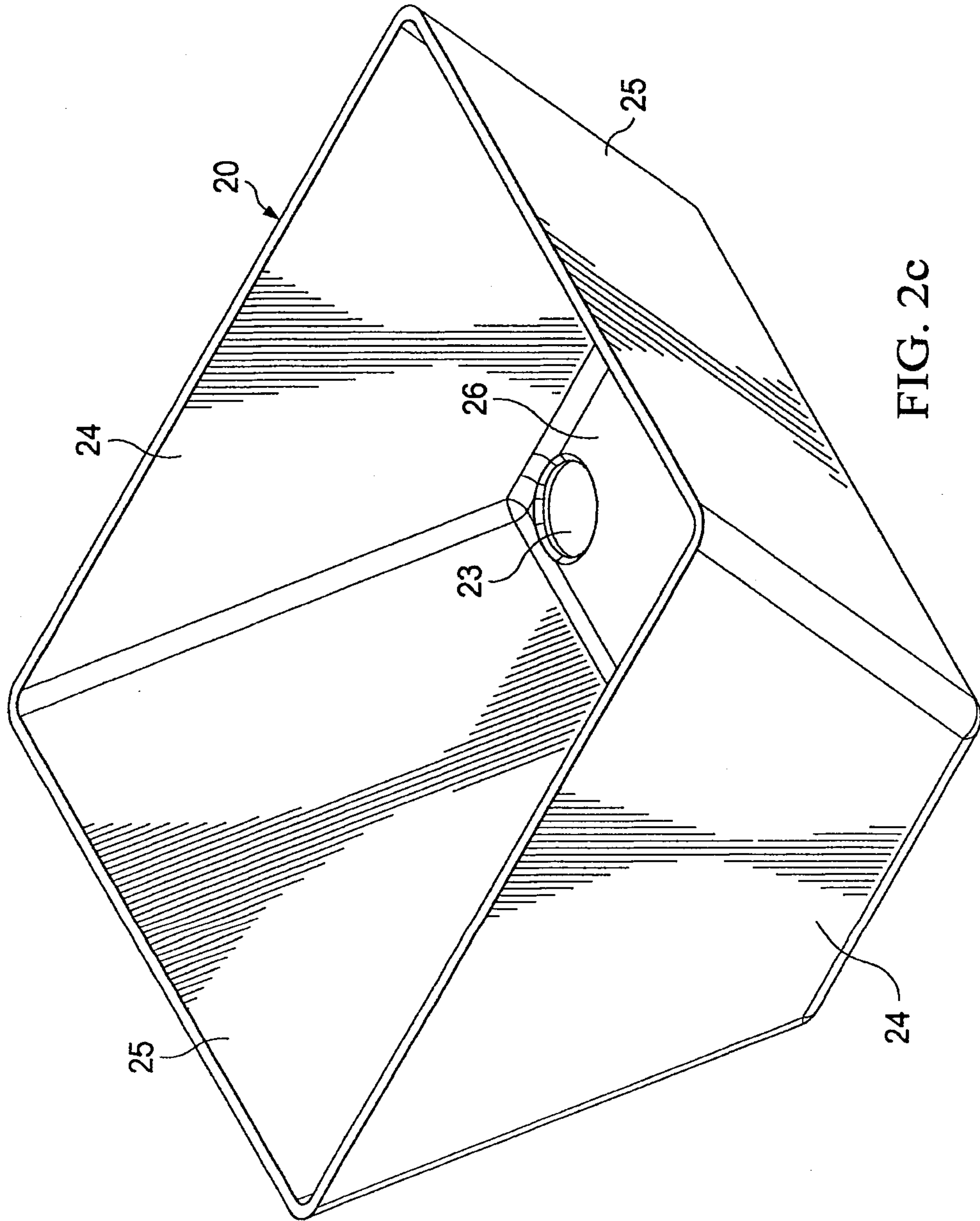
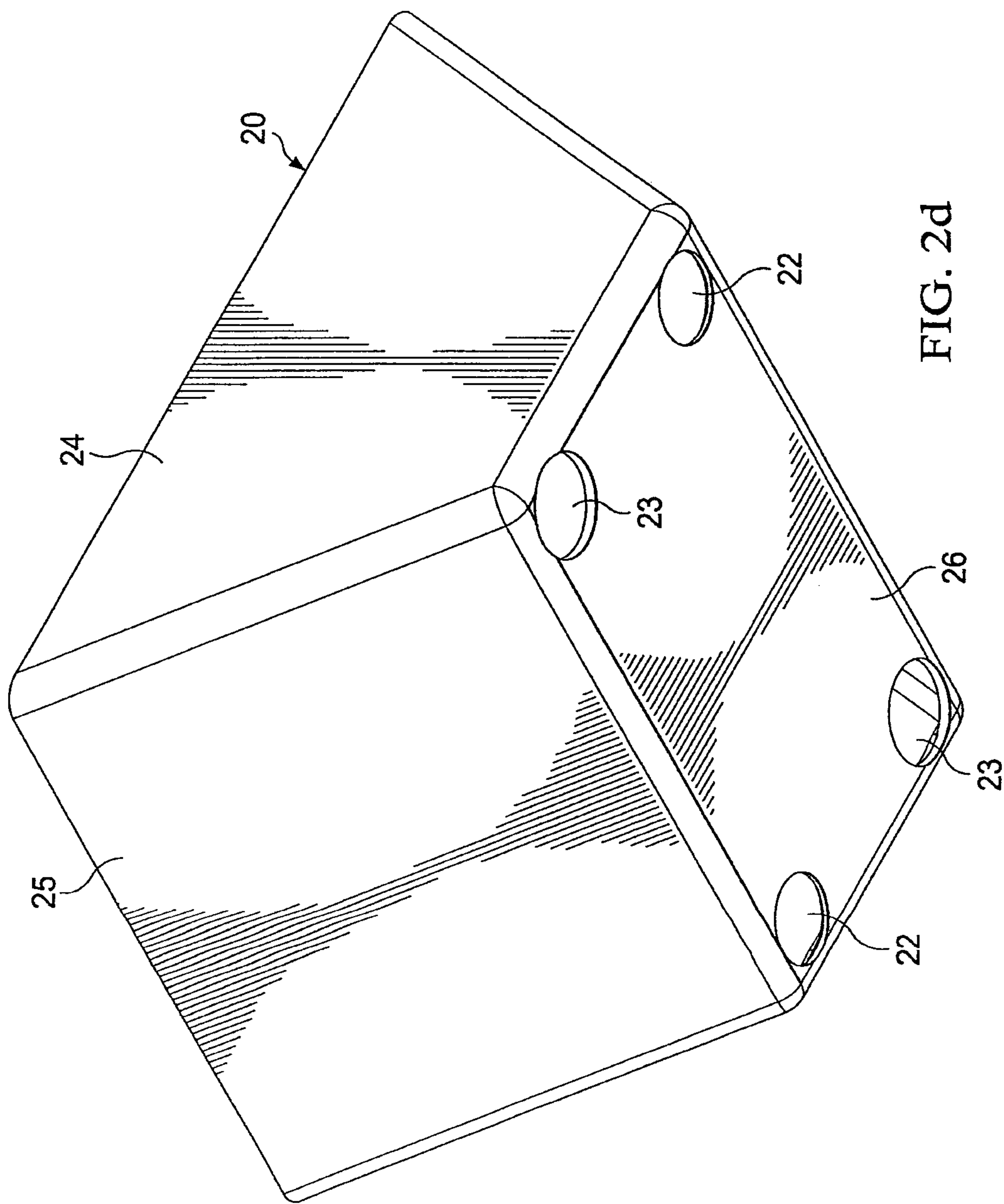


FIG. 2c



2614.0003

8/18

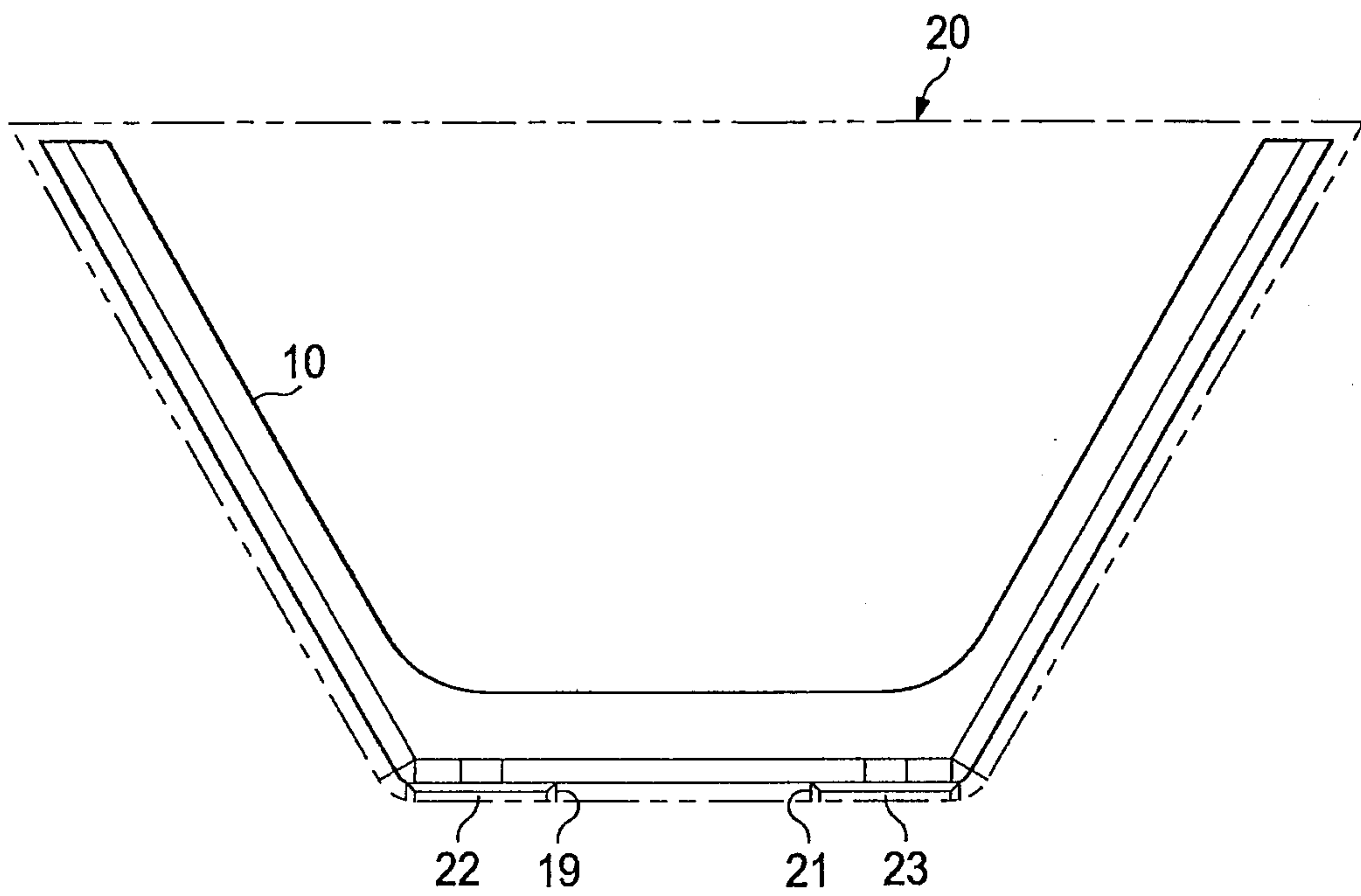


FIG. 2e

2614.0003

9/18

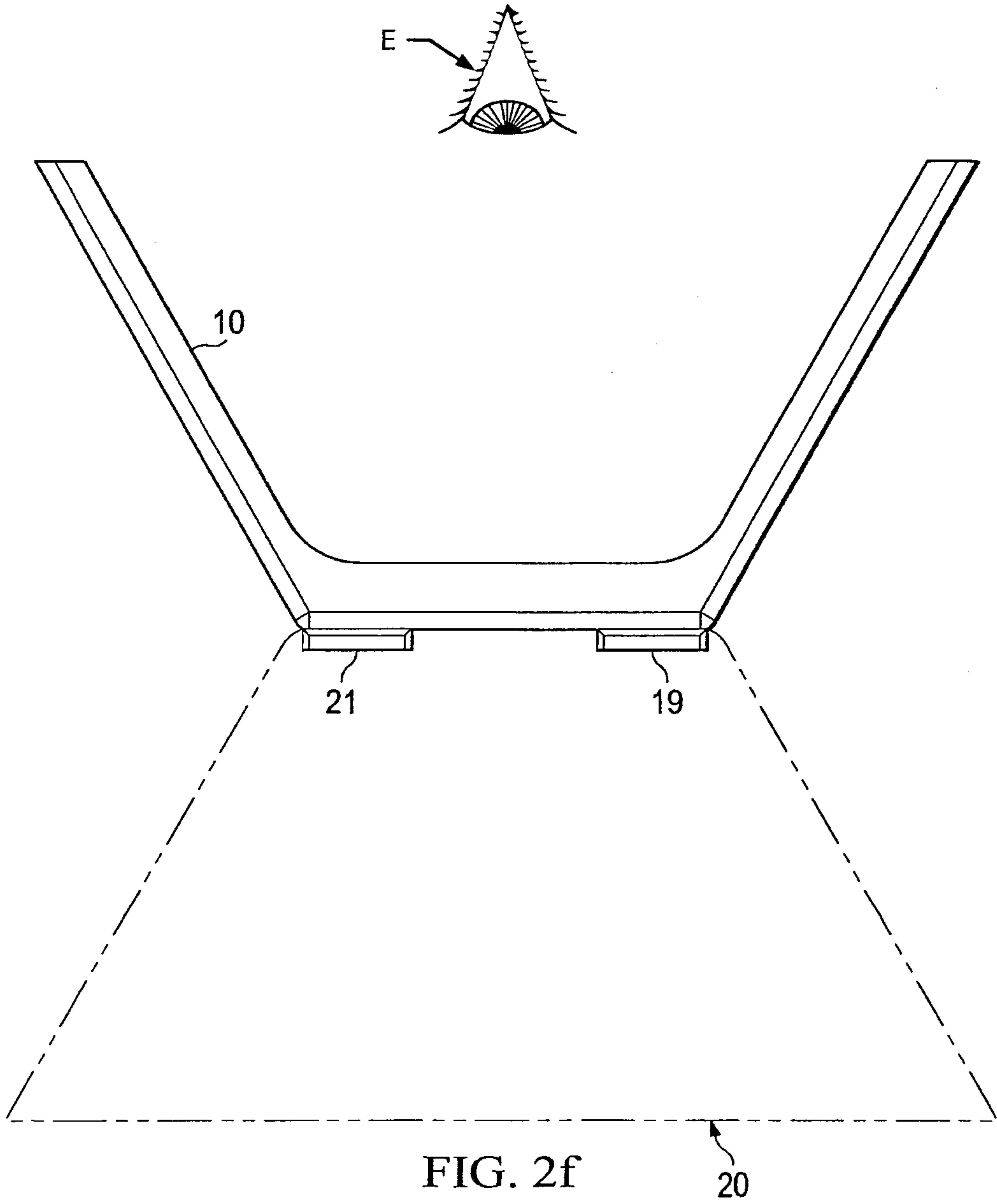
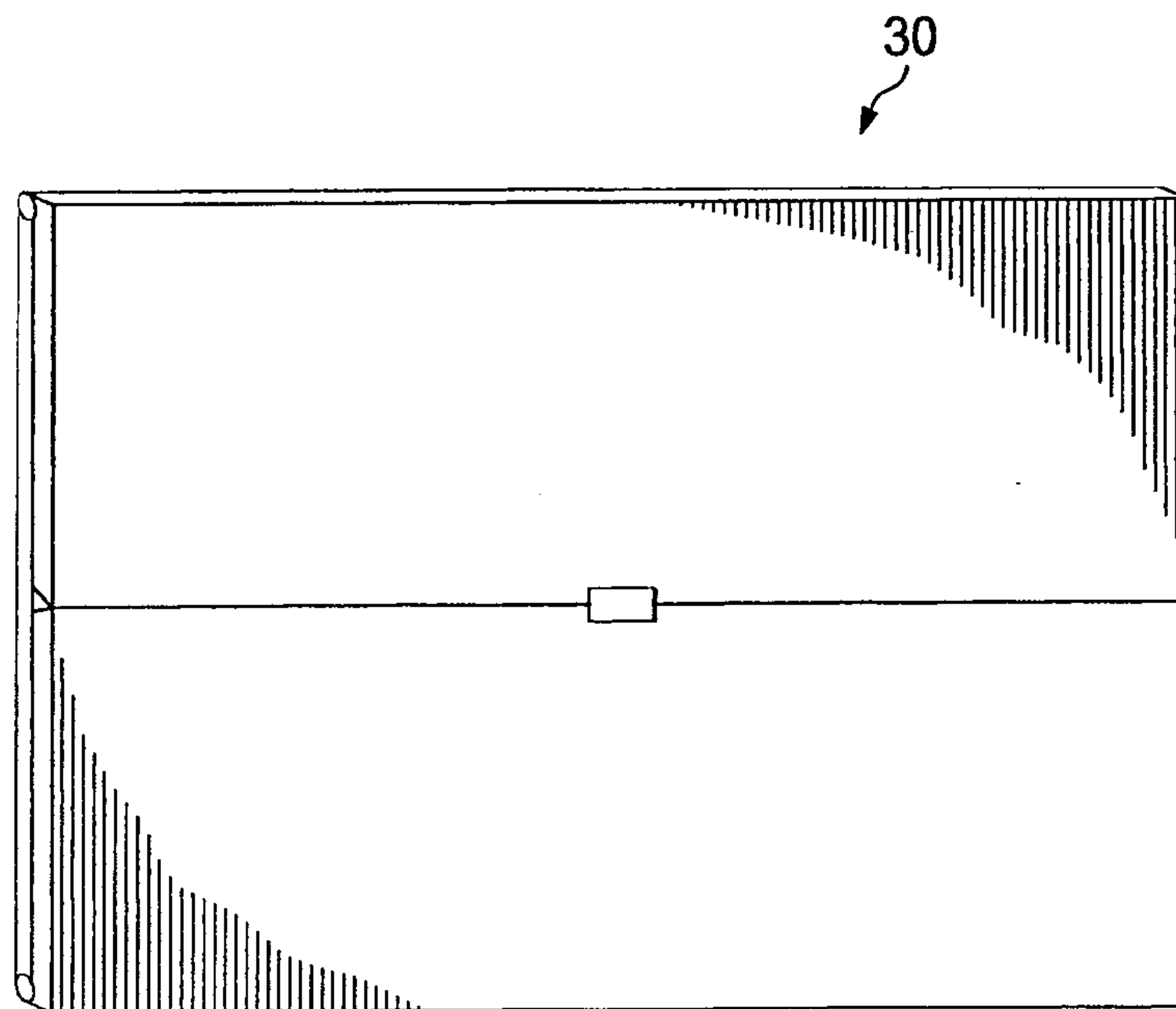
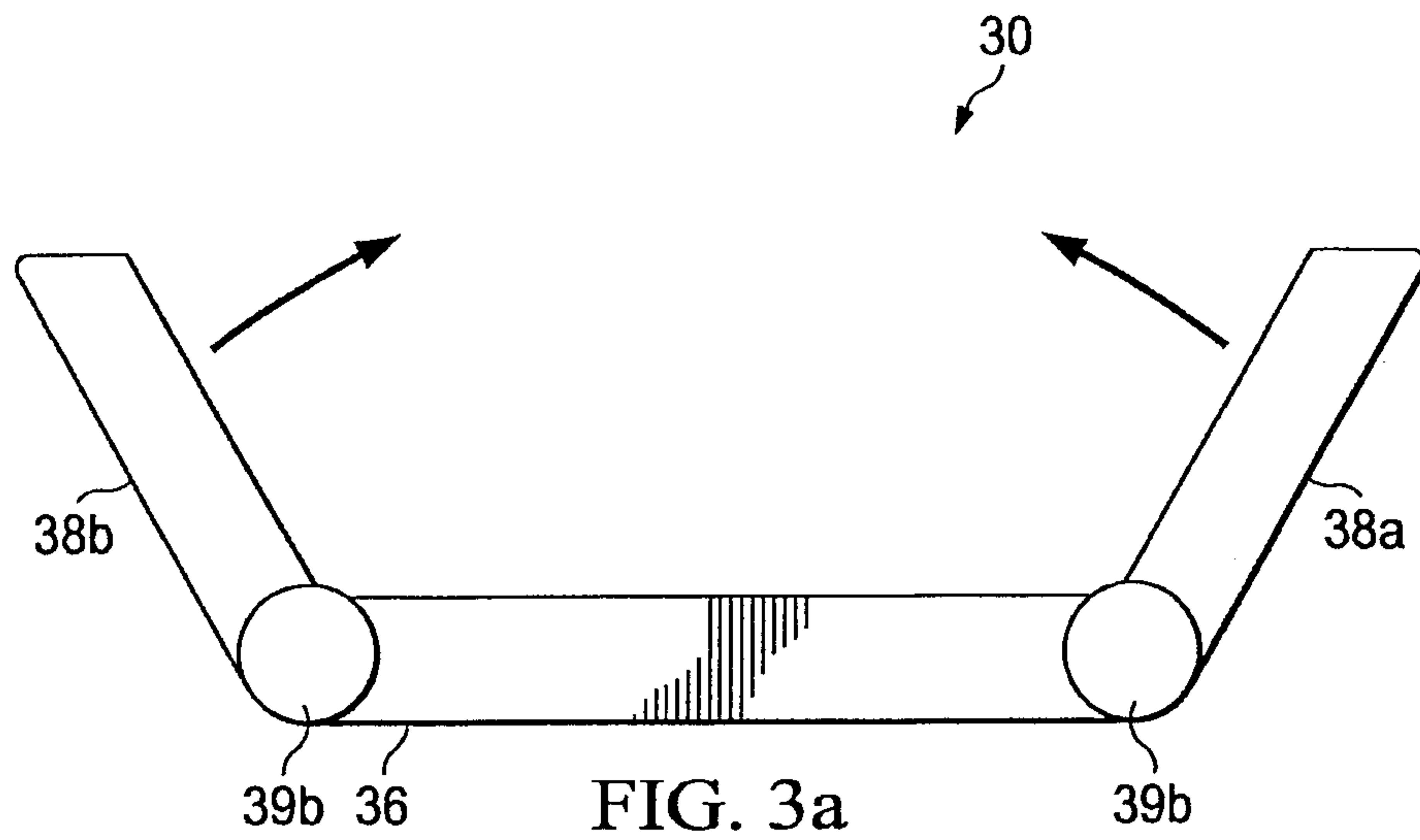


FIG. 2f

20



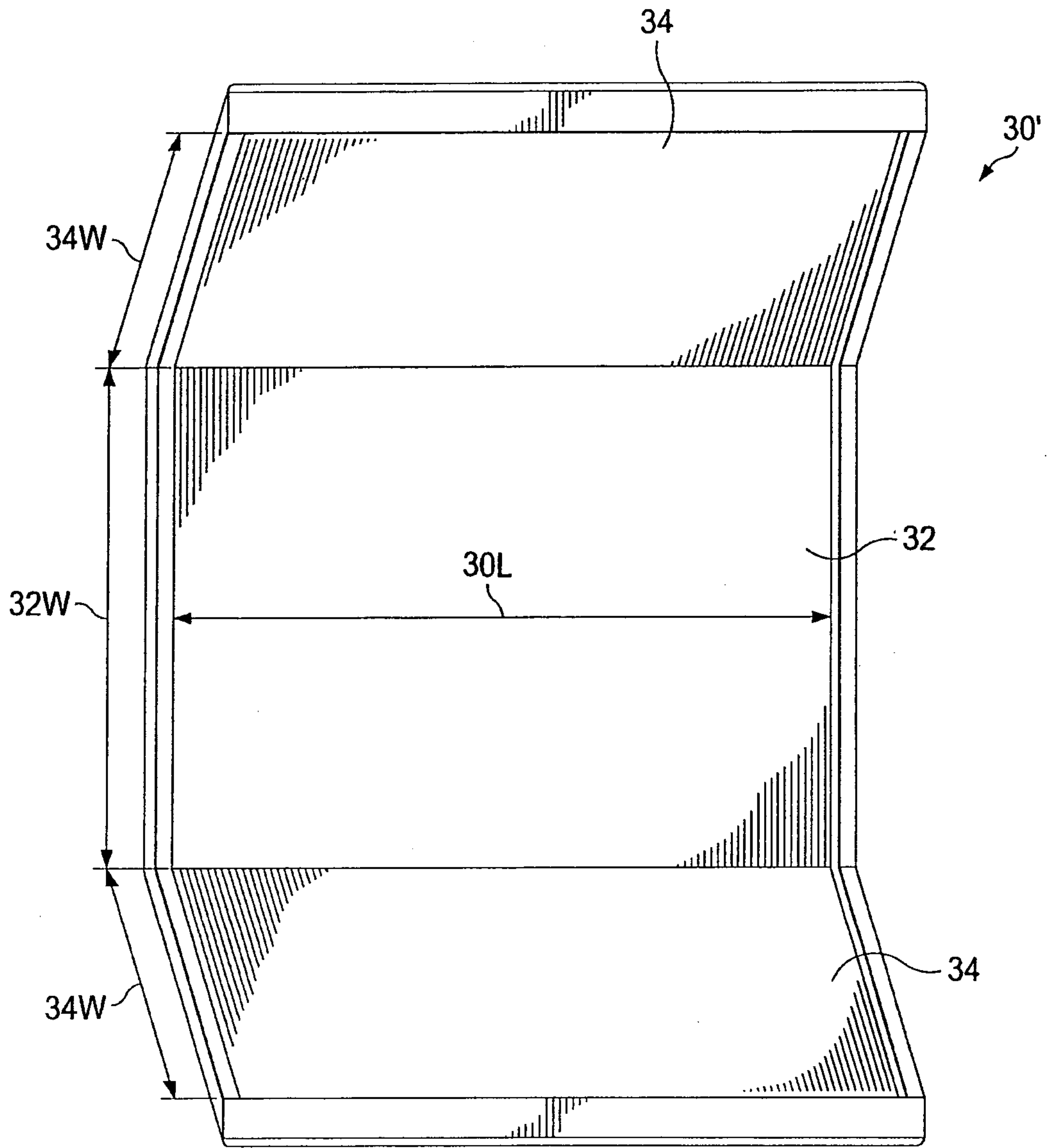


FIG. 3c

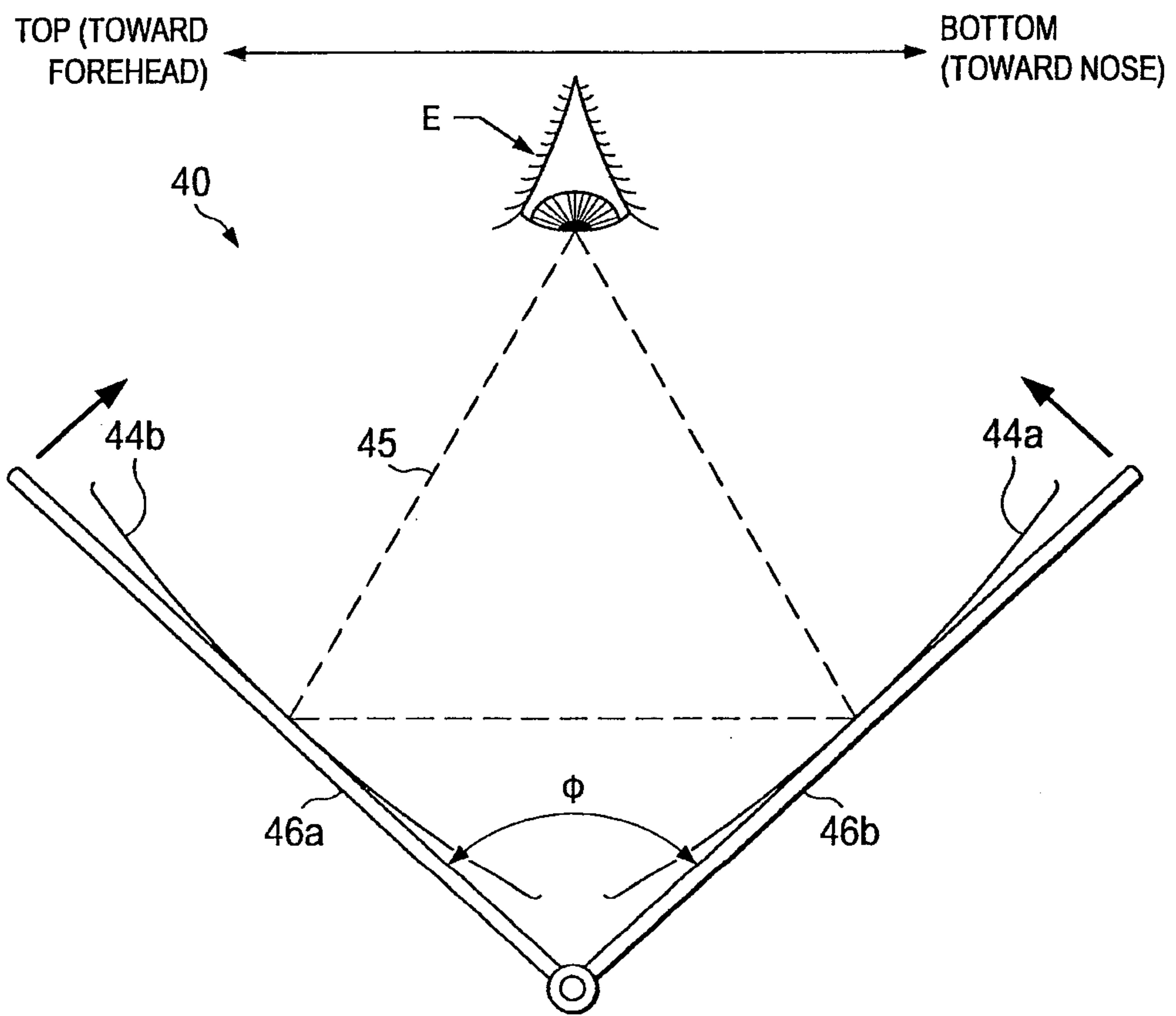


FIG. 4a

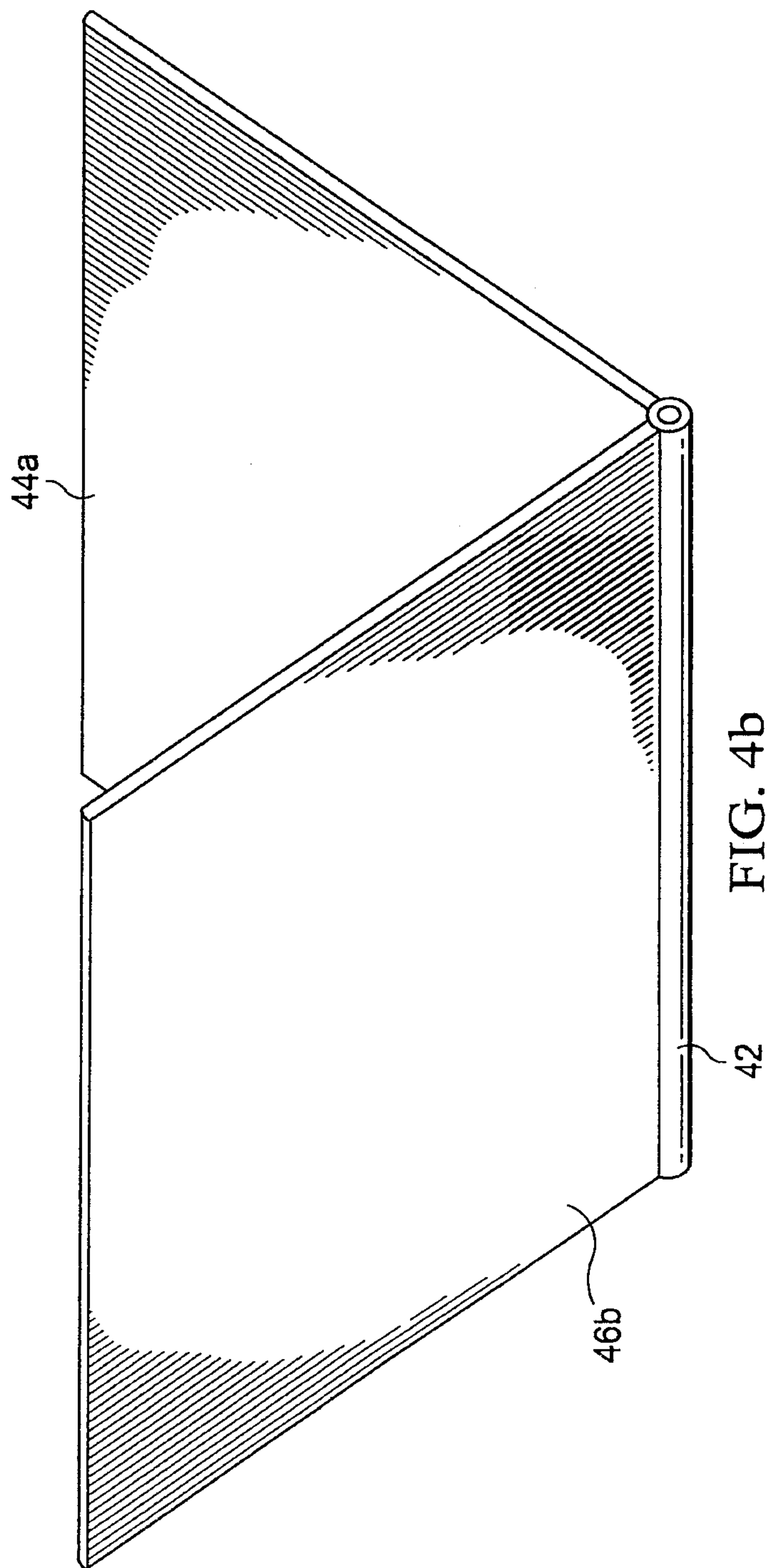


FIG. 4b

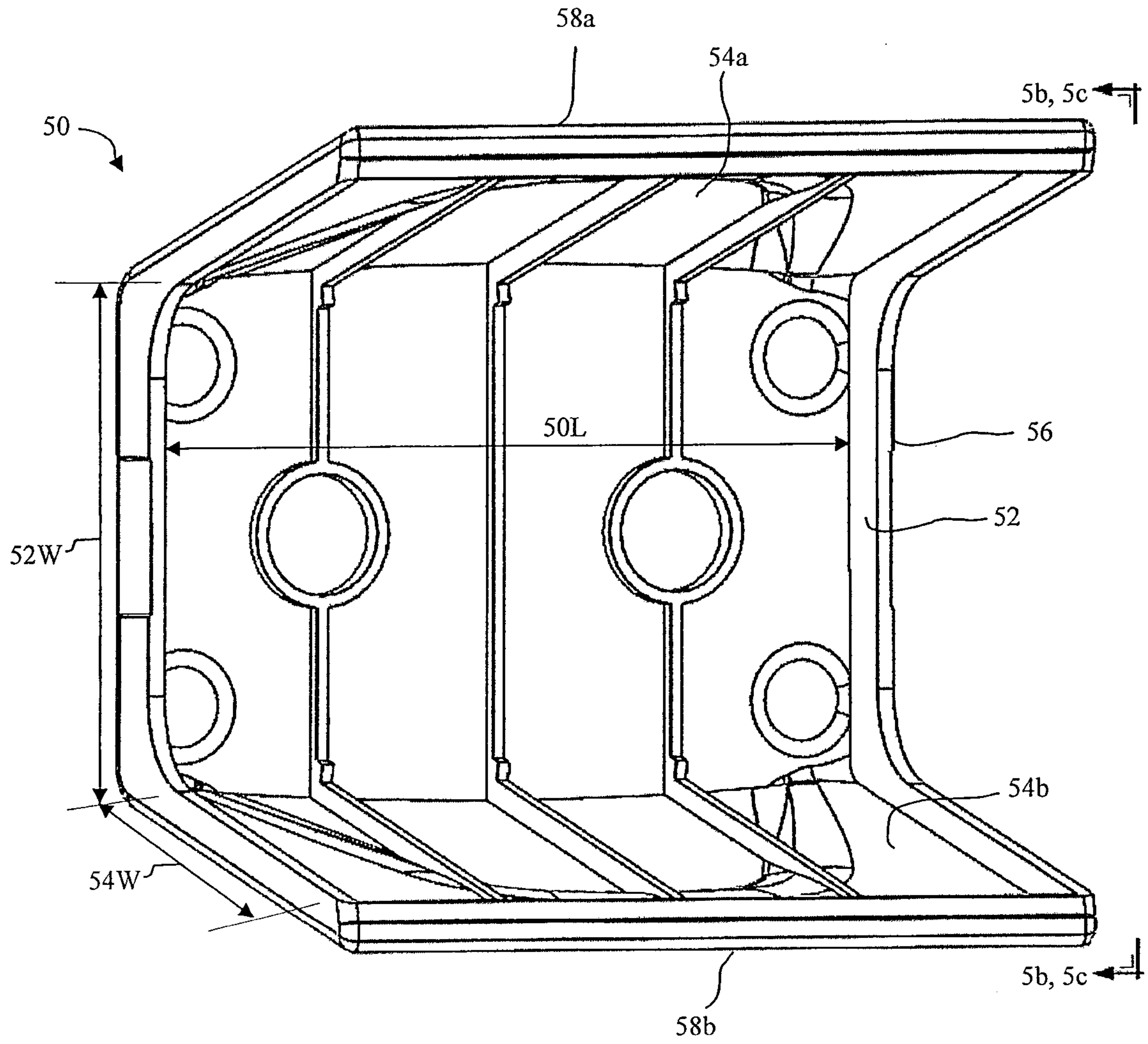
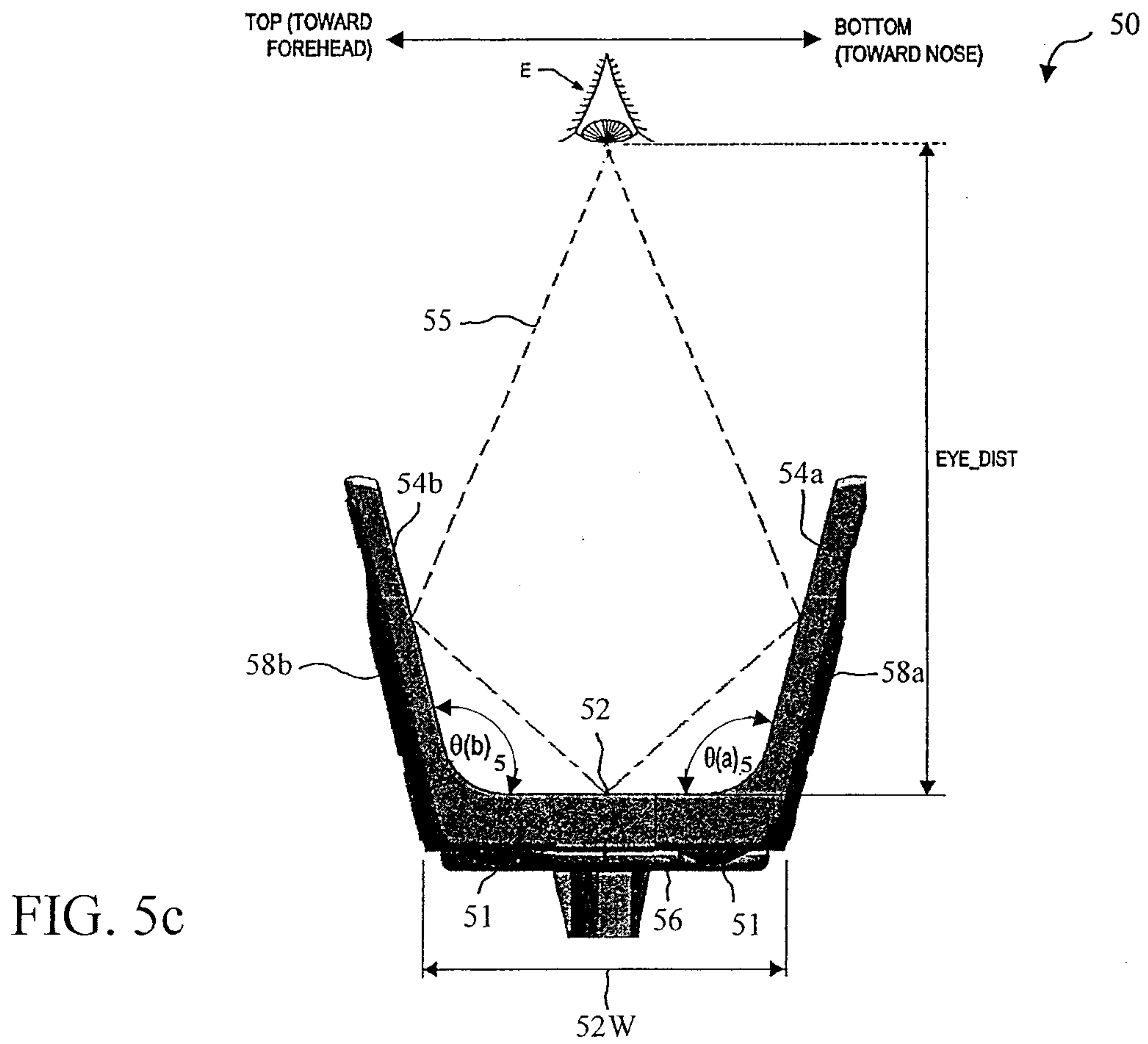
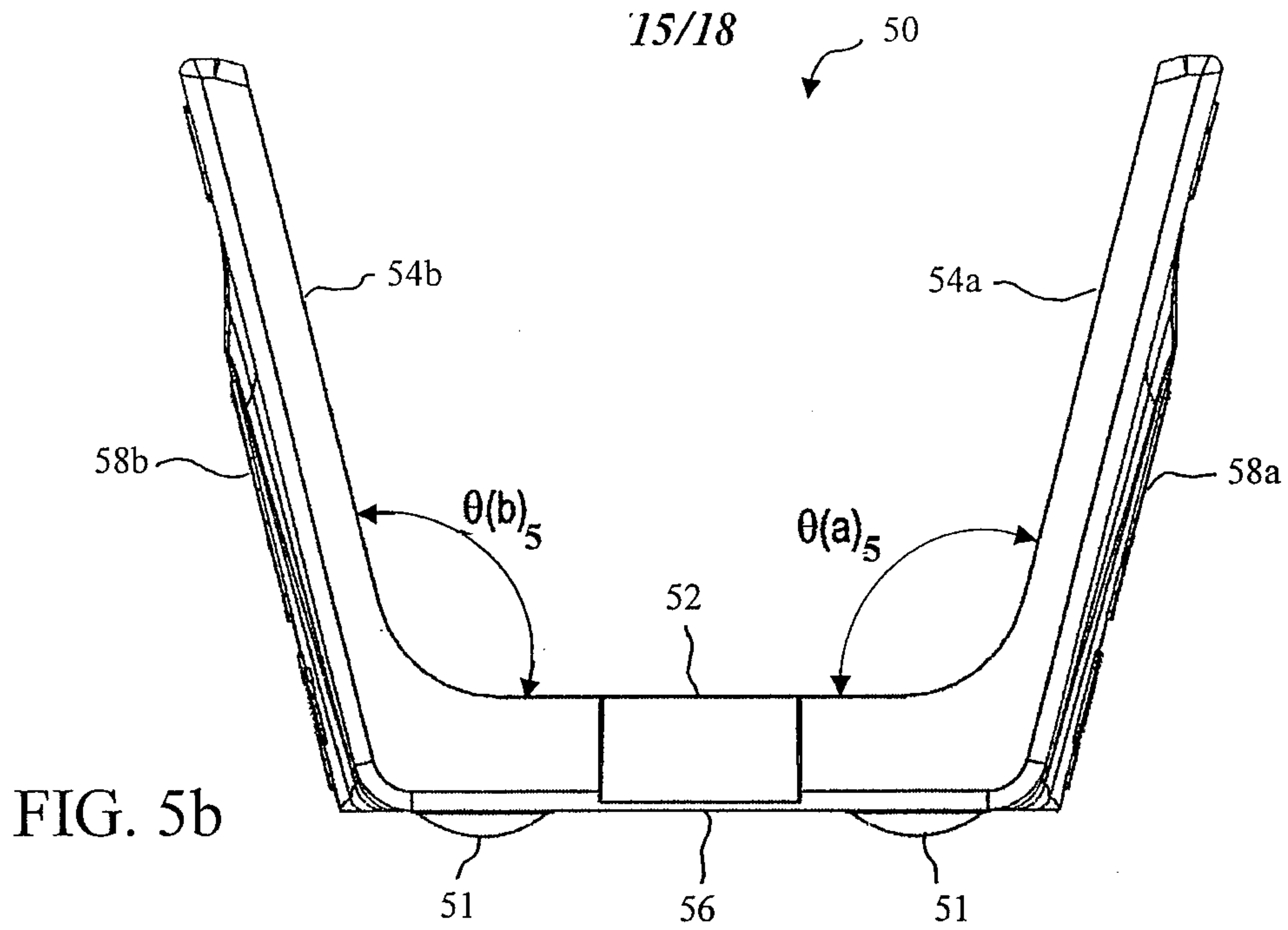


FIG. 5a



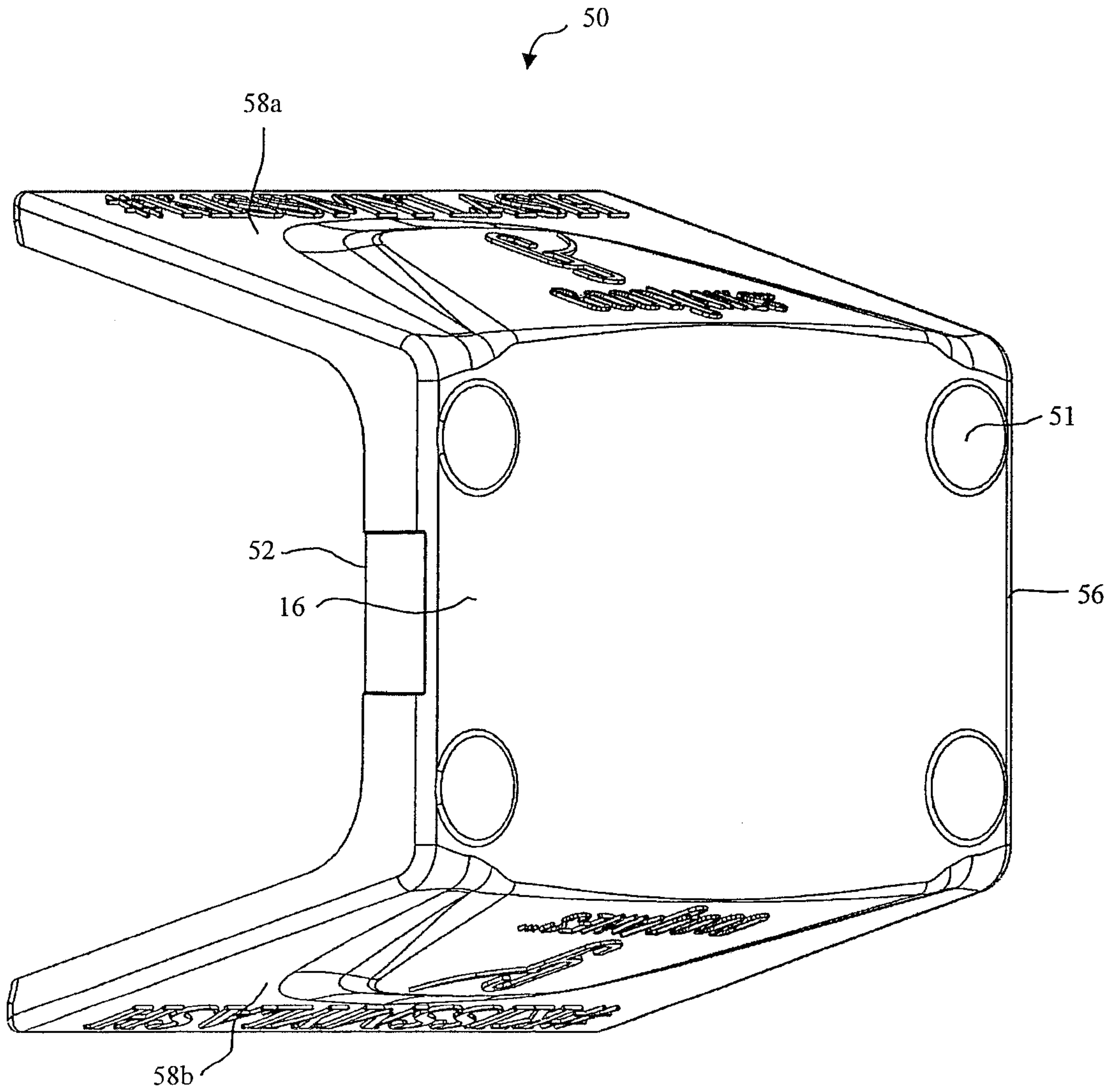


FIG. 5d

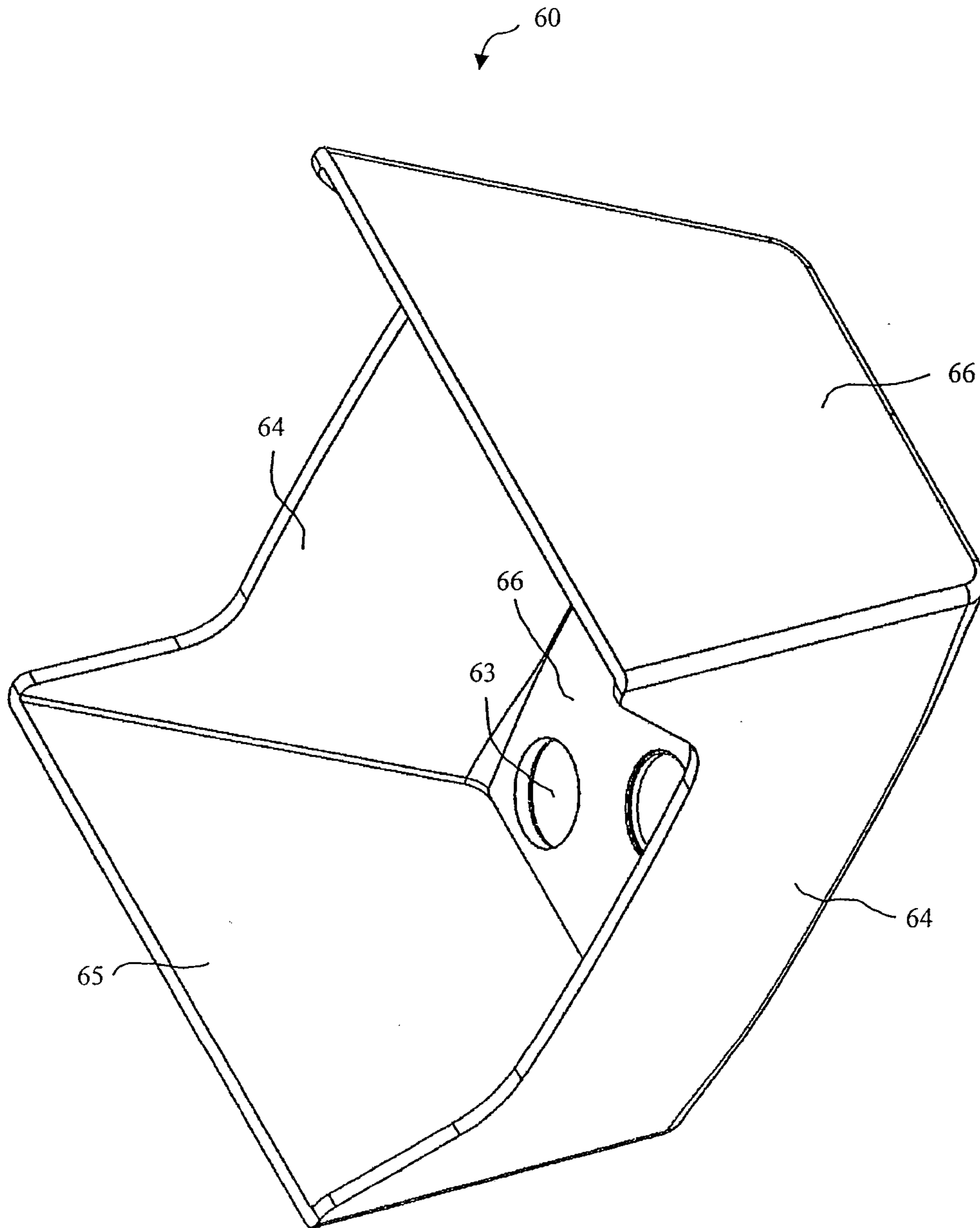


FIG. 6a

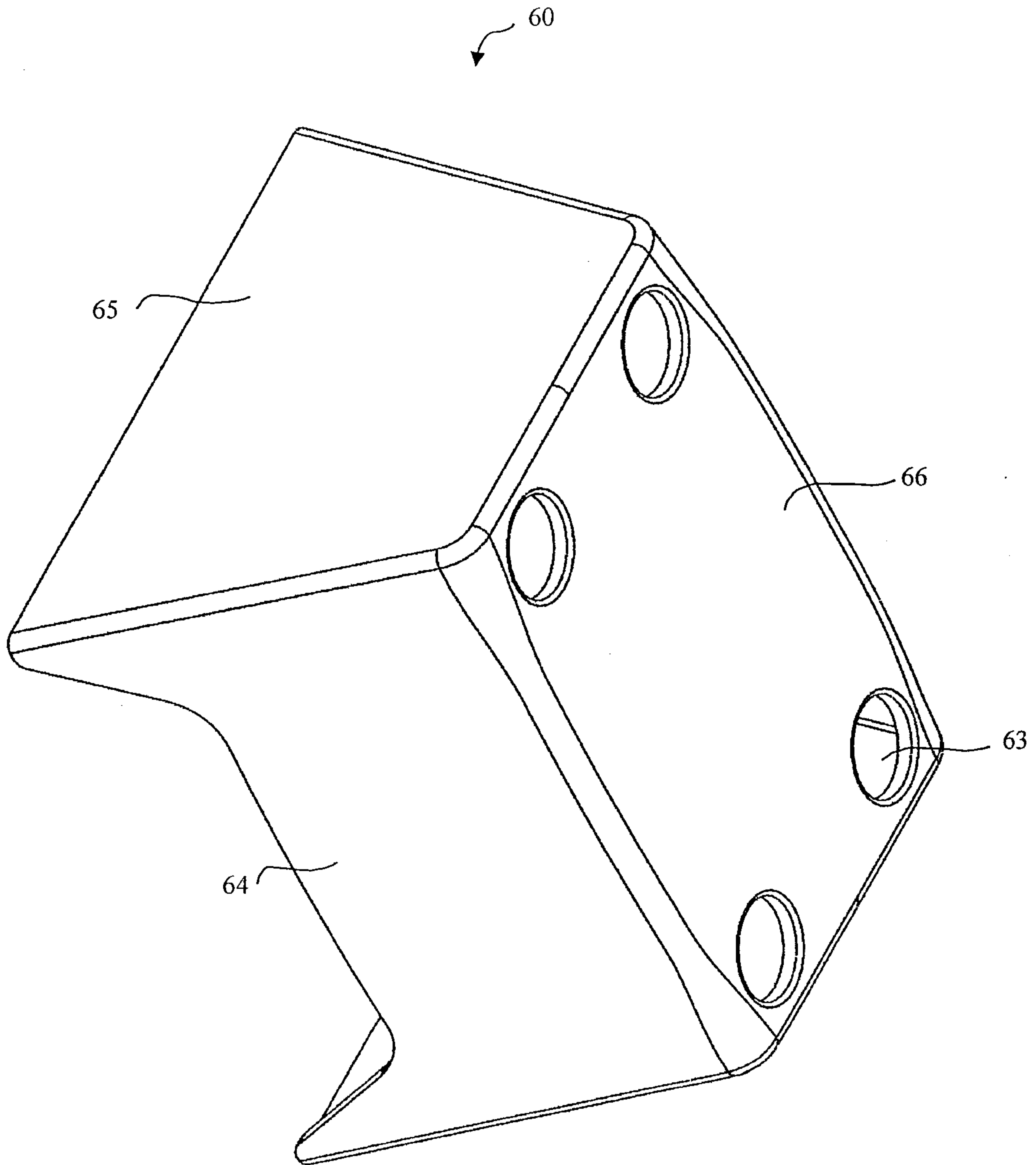


FIG. 6b

