



US0D1027604S

(12) **United States Design Patent**  
**Chen**

(10) **Patent No.:** **US D1,027,604 S**

(45) **Date of Patent:** **\*\* May 21, 2024**

- (54) **CRYSTAL DOOR LOCK**
- (71) Applicant: **Feifei Chen, De Jiang (CN)**
- (72) Inventor: **Feifei Chen, De Jiang (CN)**

D955,200 S \* 6/2022 Zhang ..... D8/312  
 D955,847 S \* 6/2022 Chen ..... D8/301  
 D955,849 S \* 6/2022 Chen ..... D8/301

(\*\*) Term: **15 Years**

(21) Appl. No.: **29/830,946**

(22) Filed: **Mar. 16, 2022**

(51) **LOC (14) Cl.** ..... **08-06**

(52) **U.S. Cl.**  
USPC ..... **D8/302; D8/331**

(58) **Field of Classification Search**  
USPC ..... D8/300, 301, 302, 303, 306, 310, 313,  
D8/330, 331, 332, 338, 341  
CPC ..... E05B 1/0007; E05B 1/003; E05B 1/0061  
See application file for complete search history.

(56) **References Cited**

**U.S. PATENT DOCUMENTS**

D73,182 S *	8/1927	Kasch	.....	D11/90
D265,233 S *	6/1982	Ronvik	.....	D23/250
D267,187 S *	12/1982	Ronvik	.....	D23/250
D290,494 S *	6/1987	Dragos	.....	D23/250
D306,552 S *	3/1990	Paul	.....	D8/301
D361,493 S *	8/1995	Chieda	.....	D8/310
D383,523 S *	9/1997	Doughty	.....	D23/250
D395,486 S *	6/1998	Doughty	.....	D23/250
D404,292 S *	1/1999	Weber	.....	D8/378
D548,038 S *	8/2007	Huang	.....	D8/312
D660,193 S *	5/2012	Neuner	.....	D11/86
D935,300 S *	11/2021	Chen	.....	D8/302

**OTHER PUBLICATIONS**

Loqron, posted Sep. 20, 2022 [online], [retrieved Sep. 20, 2023].  
Retrieved from internet, <https://www.amazon.com/dp/B0BFW8SGHS/>  
ref (Year: 2022).\*

\* cited by examiner

*Primary Examiner* — David G Muller  
*Assistant Examiner* — Christina Gabrielle Cosden

(57) **CLAIM**

The ornamental design for a crystal door lock, as shown and described.

**DESCRIPTION**

FIG. 1 is a perspective view of a crystal door lock showing my new design;

FIG. 2 is another perspective view of the crystal door lock thereof;

FIG. 3 is a front elevation view thereof;

FIG. 4 is a rear elevation view thereof;

FIG. 5 is a left view thereof;

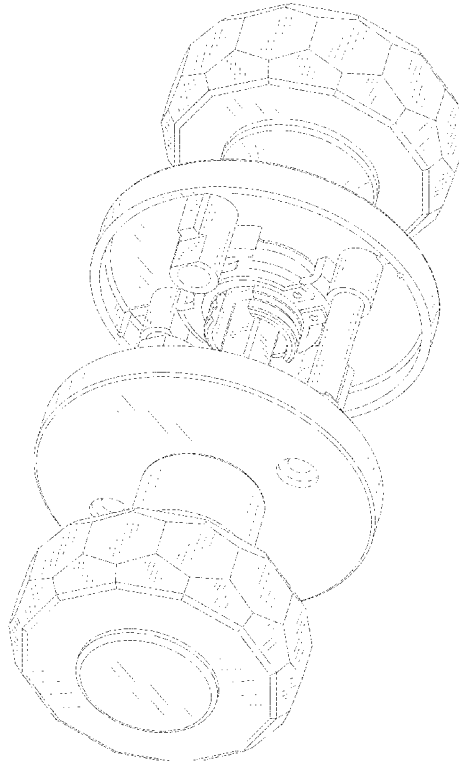
FIG. 6 is a right view thereof;

FIG. 7 is a top plan view thereof; and,

FIG. 8 is a bottom plan view thereof.

The broken lines illustrate portions of the crystal door lock that form no part of the claimed design.

**1 Claim, 8 Drawing Sheets**



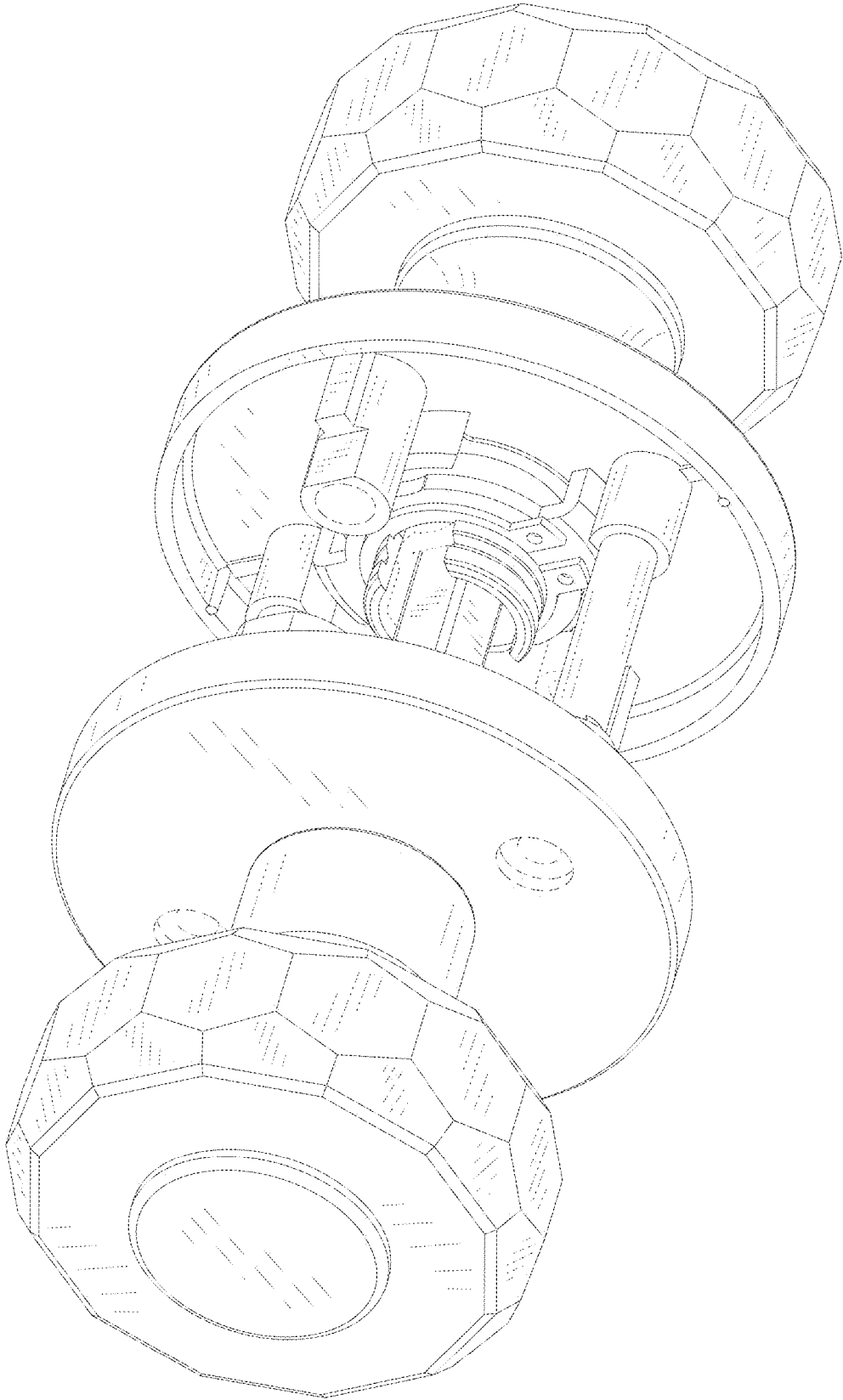


FIG. 1

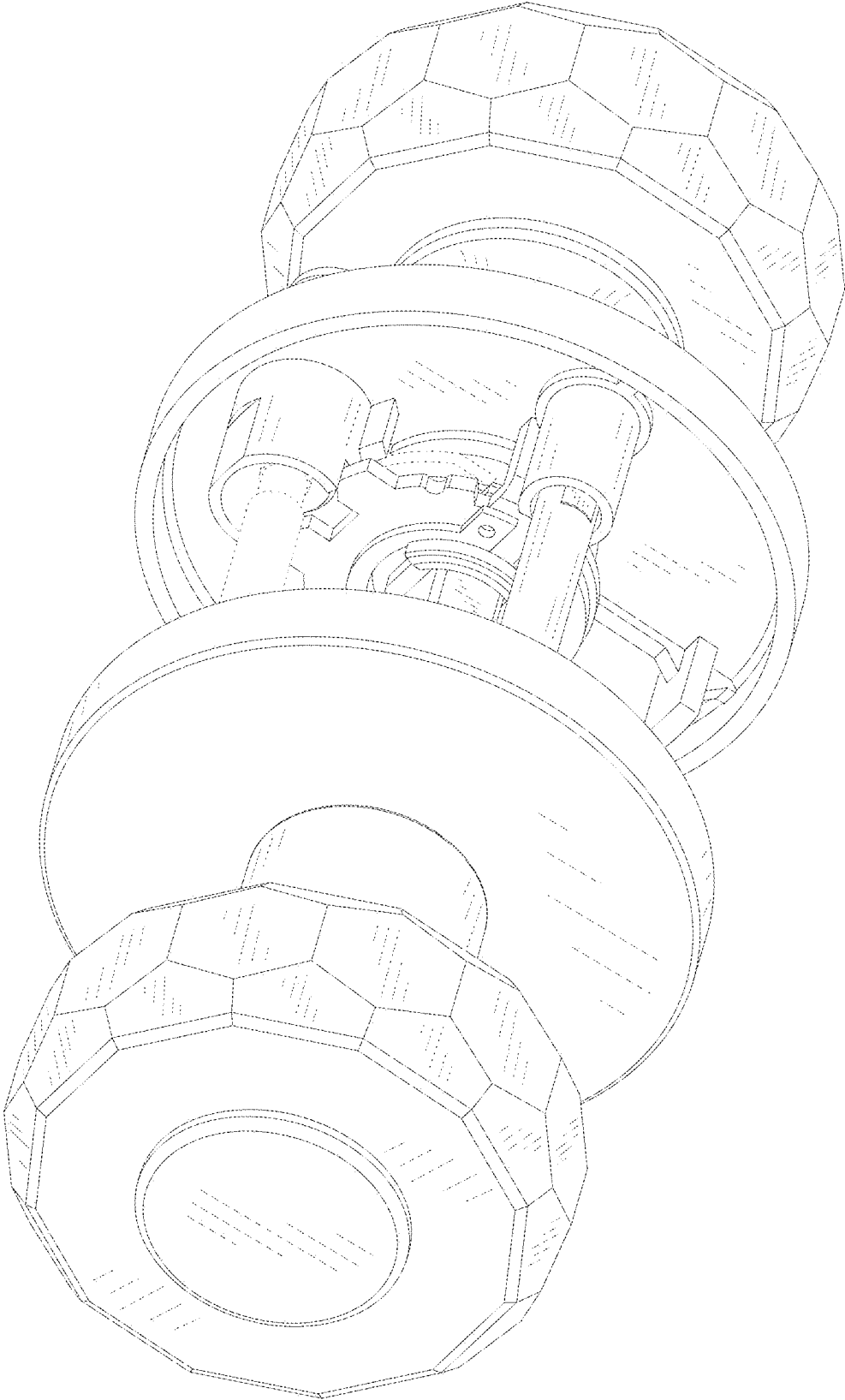


FIG.2

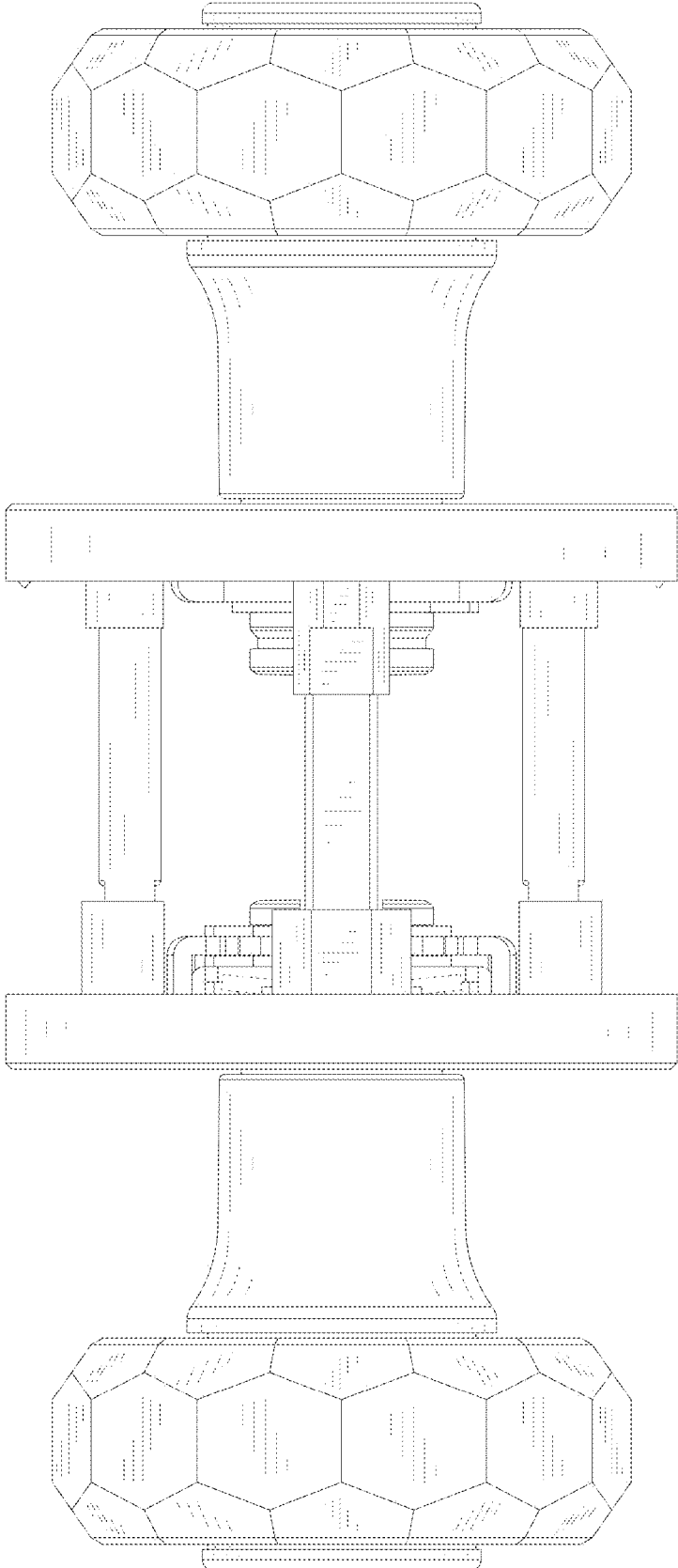


FIG.3

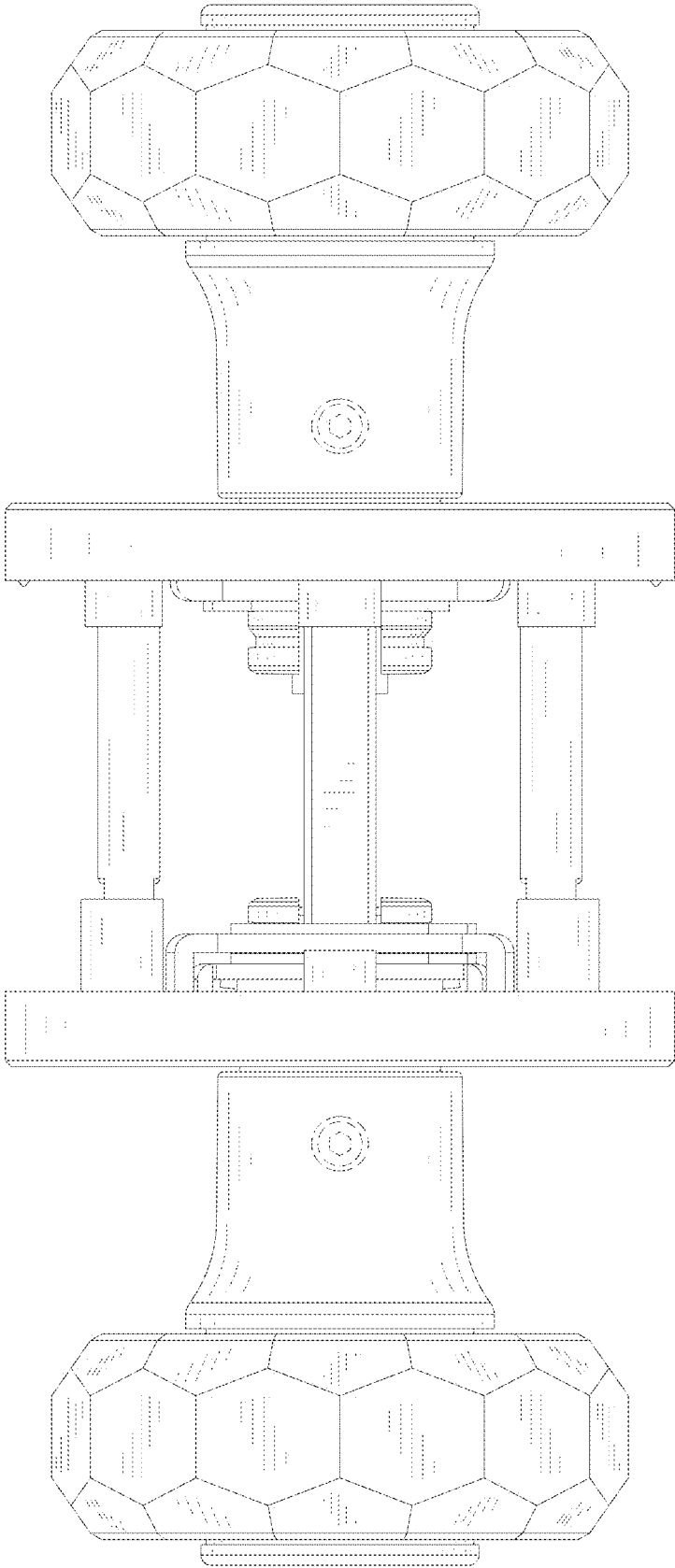


FIG.4

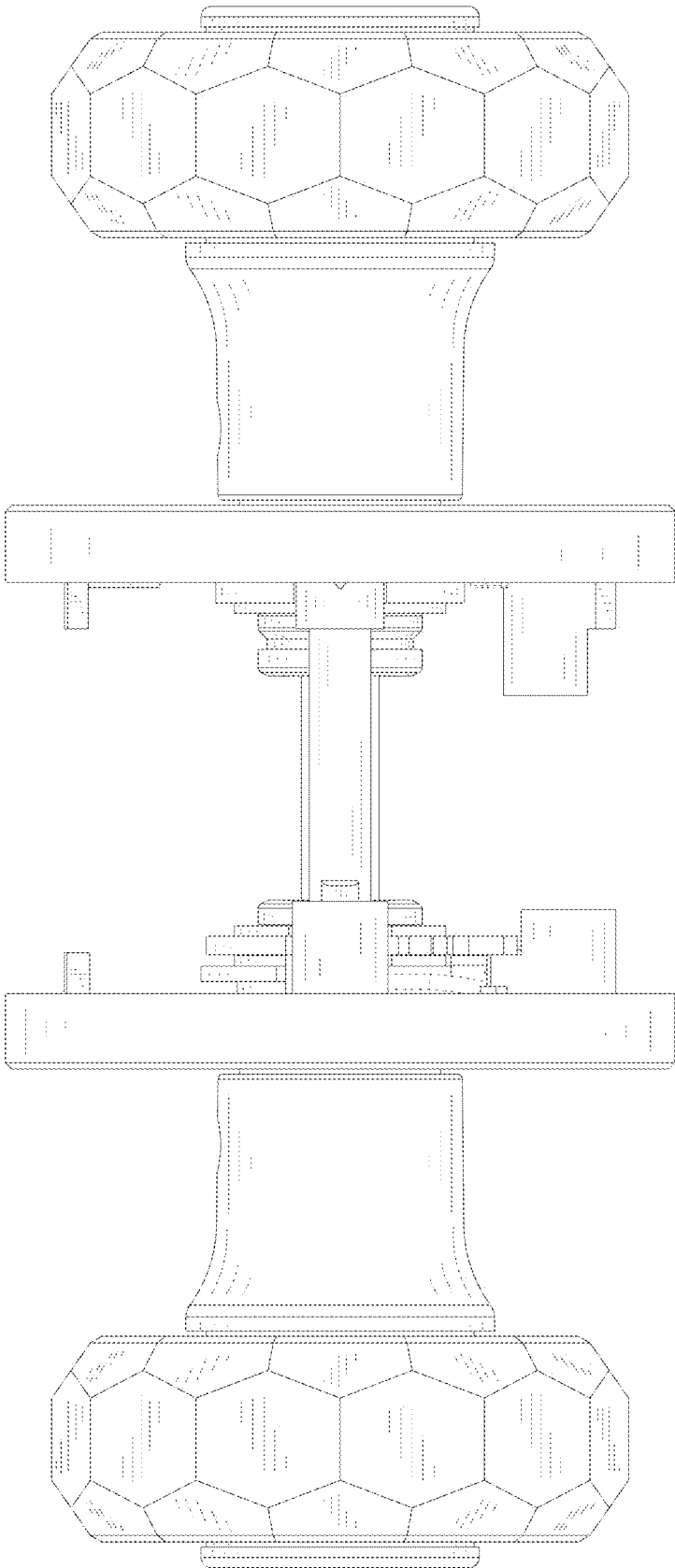


FIG.5

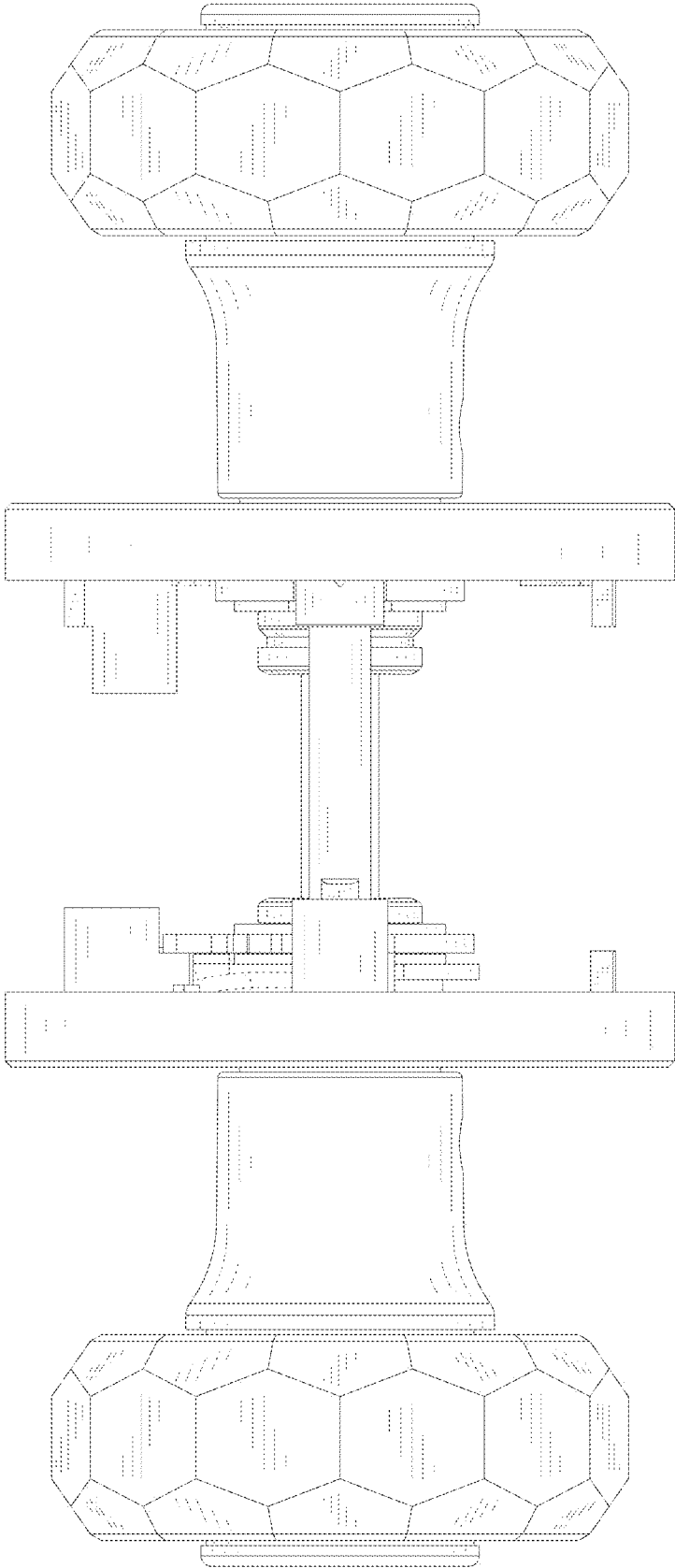


FIG.6

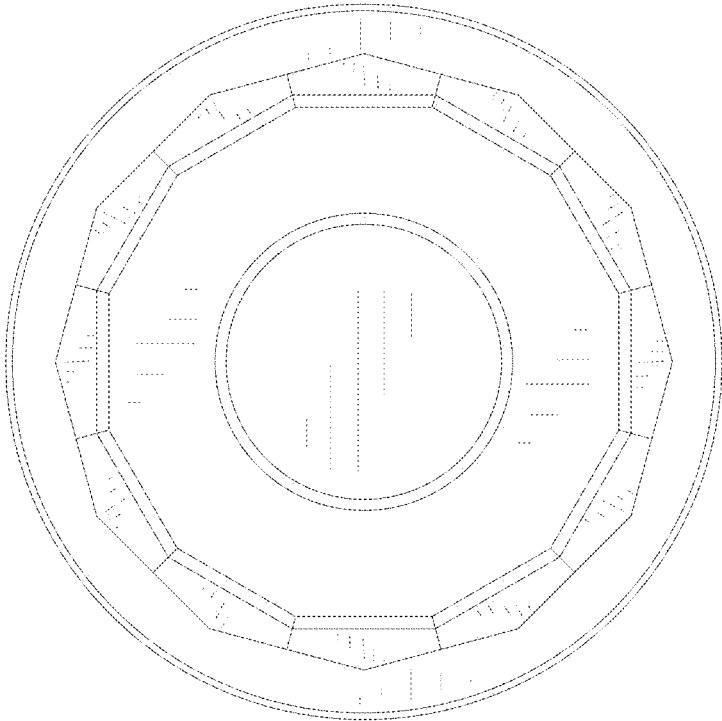


FIG. 7

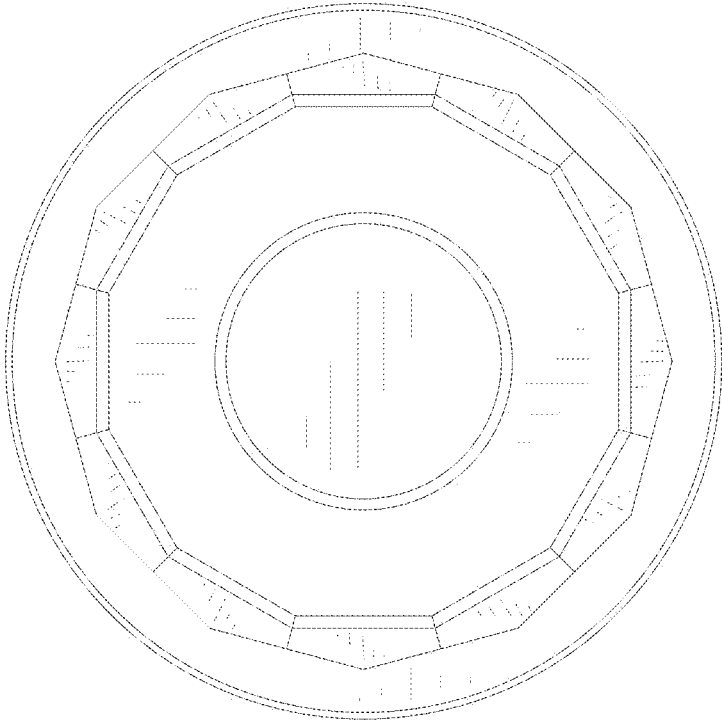


FIG. 8