



(51) International Patent Classification:

A42B 1/20 (2006.01) A42B 1/22 (2006.01)
A42B 1/00 (2006.01) A42B 1/24 (2006.01)
A42B 1/06 (2006.01)

(21) International Application Number:

PCT/US2020/023966

(22) International Filing Date:

20 March 2020 (20.03.2020)

(25) Filing Language:

English

(26) Publication Language:

English

(30) Priority Data:

62/822,217 22 March 2019 (22.03.2019) US
16/825,589 20 March 2020 (20.03.2020) US

(72) Inventors; and

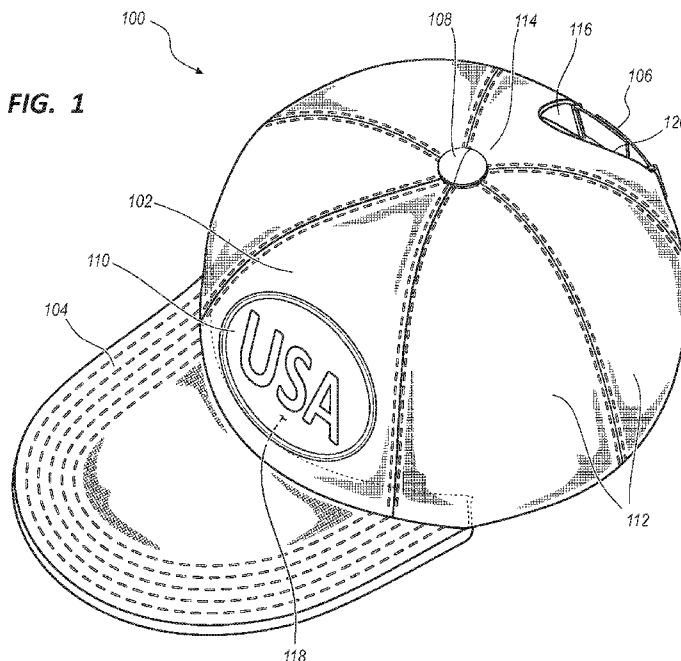
(71) Applicants: **DAVIS, Adam** [US/US]; 78 North 2860 East,
Spanish Fork, Utah 84660 (US). **KATO, Bill** [US/US]; 78
North 2860, Spanish Fork, Utah 84660 (US).

(74) Agent: **STRINGHAM, John C.**; 60 East South Temple,
Suite 1000, Salt Lake City, Utah 84111 (US).

(81) Designated States (unless otherwise indicated, for every
kind of national protection available): AE, AG, AL, AM,
AO, AT, AU, AZ, BA, BB, BG, BH, BN, BR, BW, BY, BZ,
CA, CH, CL, CN, CO, CR, CU, CZ, DE, DJ, DK, DM, DO,
DZ, EC, EE, EG, ES, FI, GB, GD, GE, GH, GM, GT, HN,
HR, HU, ID, IL, IN, IR, IS, JO, JP, KE, KG, KH, KN, KP,
KR, KW, KZ, LA, LC, LK, LR, LS, LU, LY, MA, MD, ME,
MG, MK, MN, MW, MX, MY, MZ, NA, NG, NI, NO, NZ,
OM, PA, PE, PG, PH, PL, PT, QA, RO, RS, RU, RW, SA,
SC, SD, SE, SG, SK, SL, ST, SV, SY, TH, TJ, TM, TN, TR,
TT, TZ, UA, UG, US, UZ, VC, VN, WS, ZA, ZM, ZW.

(84) Designated States (unless otherwise indicated, for every
kind of regional protection available): ARIPO (BW, GH,
GM, KE, LR, LS, MW, MZ, NA, RW, SD, SL, ST, SZ, TZ,
UG, ZM, ZW), Eurasian (AM, AZ, BY, KG, KZ, RU, TJ,
TM), European (AL, AT, BE, BG, CH, CY, CZ, DE, DK,
EE, ES, FI, FR, GB, GR, HR, HU, IE, IS, IT, LT, LU, LV,
MC, MK, MT, NL, NO, PL, PT, RO, RS, SE, SI, SK, SM,

(54) Title: A BASEBALL CAP WITH INTERCHANGEABLE PARTS



(57) Abstract: A hat with interchangeable parts is disclosed, the hat comprising a cap portion with a lower peripheral edge and one or more panels at least partially forming a crown of the hat. Some implementations also include a brim portion removably attached to the cap portion adjacent to the lower peripheral edge and extending away from a front face of the crown of the hat. Implementations can also include one or more interchangeable logos removably attached to the cap portion of the hat, a button removably attached to a crown apex of the crown of the hat, and/or an interchangeable back strap removably attached opposite the front face of the crown.



TR), OAPI (BF, BJ, CF, CG, CI, CM, GA, GN, GQ, GW,
KM, ML, MR, NE, SN, TD, TG).

Published:

— *with international search report (Art. 21(3))*

A BASEBALL CAP WITH INTERCHANGEABLE PARTS
CROSS-REFERENCE TO RELATED APPLICATIONS

The present application claims benefit of U.S. Patent Application No. 16/825,589 , filed March 20, 2020, entitled “A Baseball Cap With Interchangeable Parts,” which claims the benefit of and priority to U.S. Application No. 62/822,217, filed March 22, 2019, the entire content of which is incorporated herein by reference.

BACKGROUND

Technical Field

[0001] This disclosure generally relates to hats, in particular hats with interchangeable parts.

10 Related Technology

[0002] Hat wearers often purchase a wide range of hats to provide a large variety of options for accenting an appearance. For example, many hat wearers often buy hats of various color schemes to match various outfits or to portray support for or affiliation with a particular idea, group, person, or organization on a particular occasion. Additionally, hat wearers often purchase hats adorned with a wide range of insignia, logos, icons, or word phrases to suit a particular occasion or preference. Some hats may include images and names marketing a particular brand of product. Others portray the name, emblem, or mascot or a particular sport team.

15 [0003] The wide range of colors and decorations available leads many hat wearers to purchase large amounts of hats, which can create cost and storage issues. Additionally, many sports teams and other organizations frequently update their logos or color schemes, resulting in additional costs to hat wearers that prefer to own hats that portray the current colors and logos affiliated with a particular team or organization.

[0004] Accordingly, there are a number of disadvantages with hats that can be addressed.

BRIEF SUMMARY

25 [0005] Implementations of the present disclosure solve one or more of the foregoing or other problems in the art with hats. In particular, one or more implementations can include a hat with interchangeable parts, comprising a cap portion with a lower peripheral edge and one or more interconnected panels, the one or more interconnected panels at least partially forming a crown of the hat. Some implementations also include a brim portion removably attached to the cap portion adjacent to the lower peripheral edge and extending away from a front face of the crown of the hat. Implementations can also include one or more interchangeable logos removably attached to the cap portion of the hat, as well as a button removably attached to a crown apex of the crown of the hat and an interchangeable back strap removably attached opposite the front face of the crown.

30 [0006] Hats of the present disclosure can also include interchangeable logos that are
35 removably attached to the cap portion of the hat via magnetic materials or hook and loop fastener.

In some implementations, multiple logos can simultaneously be removably attached to the front face of the crown of the hat. Additionally, hats of the present disclosure can include a brim portion and/or a back strap that are removably attached to the cap portion of the hat via an attachment track on the cap portion configured to slidably attach to a tab or runner of the corresponding brim portion and/or back strap.

[0007] Accordingly, a hat with interchangeable parts is disclosed.

[0008] This summary is provided to introduce a selection of concepts in a simplified form that are further described below in the detailed description. This summary is not intended to identify key features or essential features of the claimed subject matter, nor is it intended to be used as an indication of the scope of the claimed subject matter.

[0009] Additional features and advantages of the disclosure will be set forth in the description which follows, and in part will be evident from the description, or may be learned by the practice of the disclosure. The features and advantages of the disclosure may be realized and obtained by means of the instruments and combinations particularly pointed out in the appended claims. These and other features of the present disclosure will become more fully apparent from the following description and appended claims or may be learned by the practice of the disclosure as set forth hereinafter.

BRIEF DESCRIPTION OF THE DRAWINGS

[0010] In order to describe the manner in which the above recited and other advantages and features of the disclosure can be obtained, a more particular description of the disclosure briefly described above will be rendered by reference to specific embodiments thereof, which are illustrated in the appended drawings. It is appreciated that these drawings depict only typical embodiments of the disclosure and are not therefore to be considered to be limiting of its scope.

[0011] The disclosure will be described and explained with additional specificity and detail through the use of the accompanying drawings in which:

[0012] Figure 1 illustrates a perspective view of a hat with interchangeable parts according to one or more embodiments of the present disclosure;

[0013] Figure 2 illustrates an exploded perspective view thereof, particularly illustrating the interchangeable parts of a hat according to one or more embodiments of the present disclosure;

[0014] Figure 3 illustrates a perspective view of the underside of a hat with interchangeable parts, particularly illustrating the removable attachment of an interchangeable brim according to one or more embodiments of the present disclosure;

[0015] Figure 4 illustrates a perspective view of a hat with interchangeable parts, particularly illustrating an alternative embodiment of an interchangeable brim according to the present disclosure;

[0016] Figure 5 illustrates an exploded perspective view of another hat according to one or more embodiments of the present disclosure, particularly illustrating the interchangeable parts thereof;

5 [0017] Figure 6 illustrates a perspective view of a hat with interchangeable parts, particularly illustrating another alternative embodiment of an interchangeable brim according to the present disclosure;

[0018] Figure 7A illustrates a cutout perspective view of a hat with interchangeable parts, particularly illustrating another alternative embodiment of an interchangeable brim according to the present disclosure, wherein the interchangeable brim is positioned to be removably attached
10 to a cap portion of the hat;

[0019] Figure 7B illustrates a cutout perspective view of the hat with interchangeable parts of Figure 7A, wherein the interchangeable brim is removably attached to the cap portion of the hat;

[0020] Figure 7C illustrates a cutout perspective view of a hat with interchangeable parts, particularly illustrating another alternative embodiment of an interchangeable brim according to
15 the present disclosure, wherein the interchangeable brim is positioned to be removably attached to a cap portion of the hat;

[0021] Figure 7D illustrates a cutout perspective view of the hat with interchangeable parts of Figure 7C, wherein the interchangeable brim is removably attached to the cap portion of the hat;

[0022] Figure 8 illustrates a perspective view of a hat with interchangeable parts, particularly
20 illustrating the removable attachment of an interchangeable back strap of one or more embodiments of the present disclosure;

[0023] Figure 9 illustrates a perspective view of a hat with interchangeable parts, particularly illustrating an alternative embodiment of an interchangeable back strap according to the present disclosure;

25 [0024] Figure 10 illustrates a perspective view of a hat with interchangeable parts, particularly illustrating another alternative embodiment of an interchangeable back strap according to the present disclosure;

[0025] Figure 11A illustrates an exploded top perspective view of an interchangeable button according to one or more embodiments of the present disclosure;

30 [0026] Figure 11B illustrates an exploded bottom perspective view thereof;

[0027] Figure 12 illustrates an exploded perspective view of an interchangeable logo and corresponding panel of a hat with interchangeable parts according to one or more embodiments of the present disclosure; and

[0028] Figure 13 illustrates a hat with interchangeable parts, particularly illustrating the removeable attachment of an interchangeable logo according to one or more embodiments of the present disclosure.

DETAILED DESCRIPTION

5 [0029] Before describing various embodiments of the present disclosure in detail, it is to be understood that this disclosure is not limited to the parameters of the particularly exemplified systems, methods, apparatus, products, processes, and/or kits, which may, of course, vary. Thus, while certain embodiments of the present disclosure will be described in detail, with reference to specific configurations, parameters, components, elements, etc., the descriptions are illustrative
10 and are not to be construed as limiting the scope of the claimed invention. In addition, the terminology used herein is for the purpose of describing the embodiments and is not necessarily intended to limit the scope of the claimed invention.

[0030] Furthermore, it is understood that for any given component or embodiment described herein, any of the possible candidates or alternatives listed for that component may generally be
15 used individually or in combination with one another, unless implicitly or explicitly understood or stated otherwise. Additionally, it will be understood that any list of such candidates or alternatives is merely illustrative, not limiting, unless implicitly or explicitly understood or stated otherwise.

[0031] Embodiments of the present disclosure enable a hat wearer to personally customize the
20 appearance of a hat by choosing between and implementing a variety of interchangeable parts. For example, embodiments of the present disclosure include a hat with one or more of the following parts being removable and therefore interchangeable: a brim portion, a back strap, a button, and one or more logos. Accordingly, a user of a hat with interchangeable parts according to the present disclosure may pick and choose between brims, back straps, buttons, and/or logos
25 of various colors, designs, and markings. For example, when a wearer of a hat according to one of the embodiments herein attends a particular event, the wearer may choose a particular logo and/or particular colors to display in support of the event, a particular sports team, or any message or theme that the wearer wishes to convey.

[0032] As illustrated in Figure 1, embodiments of the present disclosure include a baseball
30 cap 100 with interchangeable parts. Other embodiments include hats of various shapes and styles, such as but not limited to cycling caps, skull caps, beanies, visors, and so forth. As shown in Figure 1, one or more embodiments include a baseball cap 100 comprising a cap portion 102, a brim portion 104, a back strap 106, a button 108, and a logo 110. Embodiments of the baseball cap 100 can include any combination of interchangeable parts, such as interchangeable brim
35 portions 104, interchangeable back straps 106, interchangeable buttons 108, and interchangeable

logos 110. Each interchangeable logo 110 can include any design, graphic, image, phrase, color, monogram, emblem, mascot, picture, shape, style, and so forth as desired by consumers. Additionally, each interchangeable brim portion 104, back strap 106, and button 108 can include any color, shape, or other design feature desired by consumers. With a variety of interchangeable parts at their disposal, consumers can extensively customize a hat or baseball cap 100 by
5 interchanging the various interchangeable parts without the need to buy multiple completed hats or baseball caps 100.

[0033] As illustrated in Figure 1, embodiments of a baseball cap 100 can include a cap portion 102 comprising a plurality of interconnected panels 112, the panels 112 forming a hemispherical dome or crown with a crown apex 114, a lower peripheral edge 116 forming a headband at a lower
10 extremity of the crown, a front face 118 spanning from the lower peripheral edge 116 to the crown apex 114, and a rear opening 120 defined by a gap in the lower peripheral edge 116 opposite the front face 118 of the crown. In some embodiments, one or more panels 112 can form a partial crown with an open crown apex 114 to create a visor configuration with increased ventilation and
15 having any combination of interchangeable brim portions 104, back straps 106, and/or logos 110. Some embodiments of cap portion 102 can include a single panel 112 that forms a full or partial crown. In some embodiments, lower peripheral edge 116 has a sweat band attached on an interior surface thereof, the sweat band being constructed of an absorbent material configured to absorb and or wick the sweat of the hat wearer.

[0034] In some embodiments, baseball cap 100 can include lower peripheral edge 116 with a complete circumference, such that there is no gap defining a rear opening 120 and thus no need for back strap 106. Embodiments without back strap 106 would of a necessity be fitted to the hat
20 wearer either by appropriate sizing of the lower peripheral edge 116 or via an elastic headband or sweatband being integrated with the lower peripheral edge 116. Embodiments that do include back strap 106 would have the advantages of superior adjustability and customizability, but some hat
25 wearers may prefer to purchase a fitted cap without rear opening 120.

[0035] As illustrated, embodiments of logo 110 can be removably or permanently attached to front face 118 of cap portion 102. Similarly, embodiments can include brim portion 104 that is removably or permanently attached to cap portion 102 adjacent to lower peripheral edge 116 and
30 front face 118, with brim portion 104 extending away from front face 118. Embodiments can also include a back strap 106 that is removably or permanently attached to cap portion 102 adjacent to lower peripheral edge 116 and the rear opening 120, and button 108 either removably or permanently attached to cap portion 102 at crown apex 114.

[0036] Figure 2 illustrates an exploded perspective view of one or more embodiments of
35 baseball cap 100 with interchangeable parts, particularly illustrating the removability of various

parts according to one or more embodiments of the present invention. As illustrated, in some embodiments, brim portion 104, back strap 106, button 108, and logo 110 can be selectively removable from the cap portion 102 by means of various attachment interfaces as disclosed herein. By way of example, but without limitation, embodiments of interchangeable logos can include but are not limited to attachment means such as hook and loop fastener, corresponding magnetic materials integrated with logo 110 and one or more panels 112, snap buttons, frictional fittings, and so forth.

[0037] In an embodiment of the present invention, brim portion 104 includes an attachment tab 122 configured to removably attach to cap portion 102 by sliding into brim attachment track 124 that is integrated with lower peripheral edge 116 adjacent to front face 118 of cap portion 102. Rigid attachment tab 122, as shown in Figure 2, ensures that brim portion 104 has adequate support to maintain the brim at an angle that is substantially orthogonal to front face 118 and lower peripheral edge 116. Additionally, brim attachment track 124 has the advantage of being concealed from view, such that baseball cap 100 has a similar appearance to a common baseball cap without interchangeable parts.

[0038] Some embodiments can additionally or alternatively include interchangeable back strap 106 that is configured to be selectively removable from cap portion 102. For example, embodiments of baseball cap 100 can include one or more strap attachment tracks 126 connected to cap portion 102 adjacent to lower peripheral edge 116 and rear opening 120. In some embodiments, interchangeable back strap 106 can include one or more attachment tabs 128 configured to slide into or otherwise removably attach to the corresponding one or more strap attachment tracks 126 on cap portion 102. Embodiments of back strap 106 can include any shape, style, or functional design of hat fasteners or back straps, such as but not limited to traditional snap closures, elastic cloth of adjustable or fixed length, straps with hook and loop fastener, and so forth.

[0039] One or more embodiments can additionally or alternatively include interchangeable button 108 that is selectively removable from crown apex 114 of cap portion 102. In some embodiments, fastener socket 130 is connected to cap portion 102 at crown apex 114, fastener socket 130 being configured to removably attach to interchangeable button 108. In some embodiments, fastener socket 130 and interchangeable button 108 comprise a snap button system. In other embodiments, fastener socket 130 and interchangeable button 108 can comprise magnetic materials or hook and loop fastener to form a selectively removable connection therebetween.

[0040] Figure 3 illustrates a perspective view of the underside of baseball cap 100 with interchangeable parts according to one or more embodiments. As illustrated, some embodiments of an interchangeable brim portion 104 can include attachment tab 122 configured to slidably

connect to brim attachment track 124 located adjacent to lower peripheral edge 116 and integrated within cap portion 102 such that both tab 122 and track 124 are concealed from view, particularly when the hat is worn by a consumer. Some embodiments include brim attachment track 124 with a channel 136 that corresponds in shape and size to allow for attachment tab 122 to slide within
5 channel 136 to removably attach to brim attachment track 124. In some embodiments, lower peripheral edge 116 can also include a stretchable or fitted headband or sweatband to ensure a comfortable fit, and brim attachment tab 122 can be integrated into cap portion 102 in a manner that does not interfere with the fit of baseball cap 100.

[0041] Figure 4 illustrates a perspective view of baseball cap 100 with interchangeable parts, particularly illustrating an additional embodiment of an interchangeable brim portion 104. As
10 illustrated, attachment tab 122 can be integrated within brim portion 104 and configured to slidably attach to channel 136 of brim attachment track 124 connected to cap portion 102 adjacent to lower peripheral edge 116.

[0042] Figure 5 illustrates an exploded perspective view of baseball cap 100 with
15 interchangeable parts, particularly illustrating another embodiment of an interchangeable brim portion 104. As illustrated, some embodiments can include brim attachment tab 123 connected to cap portion 102 adjacent to lower peripheral edge 116 and front face 118, and corresponding attachment track of channel 125 integrated at least partially within brim portion 104.

[0043] Figure 5 also illustrates the removability of embodiments of interchangeable back strap
20 106, interchangeable button 108, and interchangeable logo 110. Embodiments of the structure and functionality of various embodiments of interchangeable back strap 106, interchangeable button 108, and interchangeable logo 110 are discussed in detail below in reference to Figures 8 through 10, Figures 11A through 11B, and Figures 12 through 13, respectively.

[0044] Figure 6 illustrates baseball cap 100 with interchangeable parts of Figure 5, particularly
25 illustrating the slidable connection of brim portion 104 to cap portion 102 in accordance with some embodiments of the present invention. In a similar manner as that of other embodiments, interchangeable brim portion 104 can be removably attached to cap portion 102 by sliding the attachment channel 125 of brim portion 104 onto brim attachment tab 123 of cap portion 102.

[0045] Figures 7A and 7B illustrate cutout perspective views of baseball cap 100 with
30 interchangeable parts, particularly illustrating interchangeable brim portion 104 according to some embodiments, wherein Figure 7A shows brim portion 104 in position to be attached to the cap portion 102 and Figure 7B shows brim portion 104 removably attached to cap portion 102. As illustrated, some embodiments of an interchangeable brim portion 104 can be removably attached to cap portion 102 via hook and loop fastener 132 attached to brim portion 104 and corresponding

hook and loop fastener attached to brim attachment tab 134 located adjacent to front face 118 of cap portion 102.

[0046] Figure 7C and 7D illustrate cutout perspective views of baseball cap 100 with interchangeable parts, particularly illustrating interchangeable brim portion 104 according to some
5 embodiments, wherein Figure 7C shows brim portion 104 in position to be attached to cap portion 102 and Figure 7D shows brim portion 104 removably attached to cap portion 102. As illustrated, some embodiments of interchangeable brim portion 104 can be removably attached to cap portion 102 via magnetic elements 133 integrated with brim portion 104 and a corresponding magnetic material 135 attached to brim attachment tab 134 located adjacent to front face 118 of cap portion
10 102.

[0047] Figures 8 through 10 illustrate perspective views of various embodiments of baseball cap 100 with interchangeable parts, particularly illustrating multiple embodiments of interchangeable back strap 106. With reference to Figure 8, some embodiments of baseball cap 100 can include one or more strap attachment tracks 126 attached to a periphery of rear opening
15 120 near lower peripheral edge 116, as well as interchangeable back strap 106 having attachment tabs 128 that correspond to strap attachment tracks 126 to removably attach back strap 106 to cap portion 102 by sliding one or more tabs 128 into one or more tracks 126.

[0048] As illustrated in Figure 9, some embodiments can alternatively have strap attachment tracks 126 integrated into panels 112 of cap portion 102 adjacent to the periphery of rear opening
20 120, such that attachment tracks 126 are hidden from view and attachment tabs 128 of interchangeable back strap 106 are also hidden from view when removably attached to attachment tabs 128.

[0049] As illustrated in Figure 10, some embodiments can alternatively use hook and loop fastener 138 to removably attach interchangeable back strap 106 to cap portion 102 of baseball
25 cap 100. Embodiments can thus include hook and loop fastener 138 attached to cap portion 102 adjacent to rear opening 120 and lower peripheral edge 116 on either an inside surface of cap portion 102, and outside surface of cap portion 102, or a combination of each, as well as hook and loop fastener 138 attached to corresponding ends of back strap 106.

[0050] Figures 11A and 11B illustrate exploded perspective views of an interchangeable
30 button 108 and corresponding fastener socket 130 according to some embodiments. As illustrated, some embodiments of interchangeable button 108 comprise a snap button configuration for removable attachment of interchangeable button 108 to faster socket 130. In the embodiment illustrated, fastener socket 130 comprises a bottom male snap half 140 and a top male snap half 142, the two of which can be pressed together to form a permanent attachment to a hat or baseball
35 cap of the present disclosure. In some embodiments, the corresponding interchangeable button

108 can include bottom female snap half 144, top female snap half 146, and fabric covering 148, the three of which can be assembled to form a single interchangeable button 108 that can be removably attached to corresponding fastener socket 130. Other embodiments can comprise removable attachment of button 108 to fastener socket 130 via hook and loop fastener, magnetic materials, other styles of friction fittings, and so forth.

5 [0051] Figure 12 illustrates an exploded perspective view of interchangeable logo 110 according to some embodiments. As illustrated, some embodiments of interchangeable logo 110 can include one or more embedded or integrated magnets 150 or otherwise magnetic materials, and at least one panel 112 of a hat or baseball cap can include an embedded or integrated magnetic panel 152 to provide for removeable attachment of interchangeable logo 110 to an outside of panel 112. In some embodiments, panel 112 may include an embedded or integrated magnetic panel 152 that can at least partially form the front face 118 of the hat or baseball cap.

10 [0052] Figure 13 illustrates a perspective view of the interchangeable logo of Figure 12, particularly illustrating the integration of panel 112 into front face 118 of baseball cap 100. As illustrated, some embodiments can include magnetic panel 152 sewn into panel 112 at front face 118 of baseball cap 100. In some embodiments, magnetic panels 152 are additionally or alternatively integrated with other panels 112 or within brim portion 104 of baseball cap 100, such that interchangeable logo 110 can be removably attached to cap portion 102 or the brim portion 104 at various locations. In some embodiments, multiple interchangeable logos 110 can be selectively attached to baseball cap 100 at one or more locations. In other embodiments, the interchangeable logos 110 can be removably attached to the brim portion 104 or cap portion 102 via hook and loop fastener, snap or button fastening, and so forth.

15 [0053] It should be understood that, for the purposes of the present disclosure, the terms “magnetic materials,” “magnetic panels,” “magnets,” and the like are to be interpreted broadly so to include any corresponding pairs of materials that attach to one another via a magnetic force. For example, some embodiments may include a magnetized piece of material corresponding to a ferrous material. For the purposes of the embodiments disclosed herein, such materials may be interchanged with one another so long as a similar result is achieved, namely, so long as one component can be magnetically attached to another component as intended.

20 [0054] Following are some further example embodiments of the invention. These are presented only by way of example and are not intended to limit the scope of the invention in any way.

30 [0055] Embodiment 1. A hat, comprising: a cap portion 102 comprised of a crown apex 114, a lower peripheral edge 116 opposite crown apex 114, a front face 118 spanning between crown apex 114 and lower peripheral edge 116, a button 108 attached to crown apex 114, a back strap

106 spanning a rear opening 120 defined by a gap in lower peripheral edge 116 opposite front face 118, a brim portion 104 attached to lower peripheral edge 116 adjacent to front face 118, and one or more logos 110 attached to front face 118.

5 **[0056]** Embodiment 2. The hat as recited in embodiment 1, wherein button 108 is removably attached to crown apex 114.

[0057] Embodiment 3. The hat as recited in any of embodiments 1-2, wherein back strap 106 is removably attached to cap portion 102.

[0058] Embodiment 4. The hat as recited in any of embodiments 1-3, wherein brim portion 104 is removably attached to cap portion 102.

10 **[0059]** Embodiment 5. The hat as recited in any of embodiments 1-4, wherein one or more logos 110 are removably attached to cap portion 102.

[0060] Embodiment 6. The hat as recited in any of embodiments 1-5, wherein at least one additional logo 110 is removably attached to brim portion 104.

15 **[0061]** Although the subject matter described herein is provided in language specific to structural features and/or methodological acts, it is to be understood that the subject matter defined in the appended claims is not necessarily limited to the described features or acts so described. Rather, the described features and acts are disclosed as example forms of implementing the claims.

20 **[0062]** The present disclosure may be embodied in other specific forms without departing from its spirit or essential characteristics. The described embodiments are to be considered in all respects only as illustrative and not restrictive. The scope of the invention is, therefore, indicated by the appended claims rather than by the foregoing description. While certain embodiments and details have been included herein and in the attached disclosure for purposes of illustrating embodiments of the present disclosure, it will be apparent to those skilled in the art that various changes in the methods, products, devices, and apparatus disclosed herein may be made without
25 departing from the scope of the disclosure or of the invention, which is defined in the appended claims. All changes which come within the meaning and range of equivalency of the claims are to be embraced within their scope.

CLAIMS

We claim:

1. A hat with interchangeable parts, comprising:
 - a cap portion comprised of a lower peripheral edge and one or more panels, the one or more panels at least partially forming a crown;
 - a brim portion removably attached to the cap portion adjacent to the lower peripheral edge and extending away from a front face of the crown; and
 - one or more interchangeable logos removably attached to the cap portion.
2. The hat according to claim 1, wherein the cap portion further comprises a fastener socket connected to a crown apex of the crown, the fastener socket configured to have a button removably attached thereto.
3. The hat according to claim 1, wherein the cap portion further comprises a brim attachment track at least partially spanning the lower peripheral edge adjacent to the front face of the crown, and the brim portion further comprises an attachment tab configured to removably attach to the brim attachment track.
4. The hat according to claim 1, wherein the one or more interchangeable logos are removably attached to the cap portion by a magnetic force.
5. The hat according to claim 4, wherein the cap portion comprises one or more magnetic panels integrated with the one or more panels, and the one or more interchangeable logos comprise a magnetic material configured to removably attach to any of the one or more magnetic panels of the cap portion.
6. The hat according to claim 5, wherein the front face of the crown is configured to have a plurality of interchangeable logos simultaneously attached thereto.
7. The hat according to claim 5, wherein the brim portion further comprises an integrated magnetic panel configured to have at least one of the one or more interchangeable logos removably attached thereto.
8. The hat according to claim 1, further comprising a back strap removably attached to the cap portion at a rear opening defined by a gap in the lower peripheral edge opposite the front face of the crown.
9. The hat according to claim 8, wherein the cap portion further comprises at least one strap attachment track attached to a periphery of the rear opening.
10. The hat according to claim 9, wherein the at least one strap attachment track is attached to the periphery such that an opening of the at least one strap attachment track faces towards the gap in the lower peripheral edge.

11. The hat according to claim 10, wherein the at least one strap attachment track is integrated with the one or more panels such that the at least one strap attachment track is hidden from view.
12. The hat according to claim 1, wherein the cap portion further comprises a sweat band attached to an interior surface of the crown adjacent to the lower peripheral edge.
13. A hat with interchangeable parts, comprising:
 - a cap portion, comprising:
 - one or more panels forming a crown, the crown comprising a crown apex, a lower peripheral edge opposite the crown apex, a front face spanning between the crown apex and the lower peripheral edge, and a rear opening defined by a gap in the lower peripheral edge opposite the front face;
 - at least one strap attachment track attached to a periphery of the rear opening; and
 - one or more magnetic panels integrated with one or more of the one or more panels of the crown adjacent to the front face of the crown;
 - a brim portion attached to the cap portion and extending away from the front face;
 - an interchangeable back strap removably attached to the at least one strap attachment track;
- and
 - one or more interchangeable logos, each interchangeable logo comprising a magnetic material configured to removably attach to the one or more magnetic panels of the cap portion.
14. The hat according to claim 13, wherein the at least one strap attachment track is attached to a periphery of the rear opening such that an opening of the at least one strap attachment track faces towards the gap in the lower peripheral edge.
15. The hat according to claim 14, wherein the at least one strap attachment track is integrated with the cap portion such that the at least one strap attachment track is hidden from view.
16. The hat according to claim 13, wherein the brim portion is removably attached to the cap portion.
17. The hat according to claim 16, wherein the cap portion further comprises a brim attachment track at least partially spanning the lower peripheral edge adjacent to the front face of the crown, and the brim portion further comprises an attachment tab configured to removably attach to the brim attachment track.
18. The hat according to claim 13, wherein the cap portion further comprises a fastener socket attached to the crown apex of the crown, the fastener socket configured to have an interchangeable button removably attached thereto.
19. The hat according to claim 13, wherein the front face of the crown is configured to have a plurality of interchangeable logos simultaneously attached thereto.

20. A hat with interchangeable parts, comprising:

a cap portion comprising a crown apex, a lower peripheral edge at a lower extremity of the cap portion, a front face spanning between the crown apex and the lower peripheral edge, and a rear opening defined by a gap in the lower peripheral edge opposite the front face;

a fastener socket attached to the crown apex of the cap portion;

a brim attachment track at least partially spanning the lower peripheral edge of the front face of the cap portion;

at least one strap attachment track attached to a periphery of the rear opening of the cap portion;

one or more magnetic panels integrated with the front face of the cap portion;

an interchangeable brim portion removably attached to the brim attachment track, the interchangeable brim portion extending away from the front face of the cap portion;

an interchangeable button removably attached to the fastener socket;

an interchangeable back strap removably attached to the at least one strap attachment track;

and

one or more interchangeable logos, each interchangeable logo comprising a magnetic material configured to removably attach to the one or more magnetic panels of the cap portion.

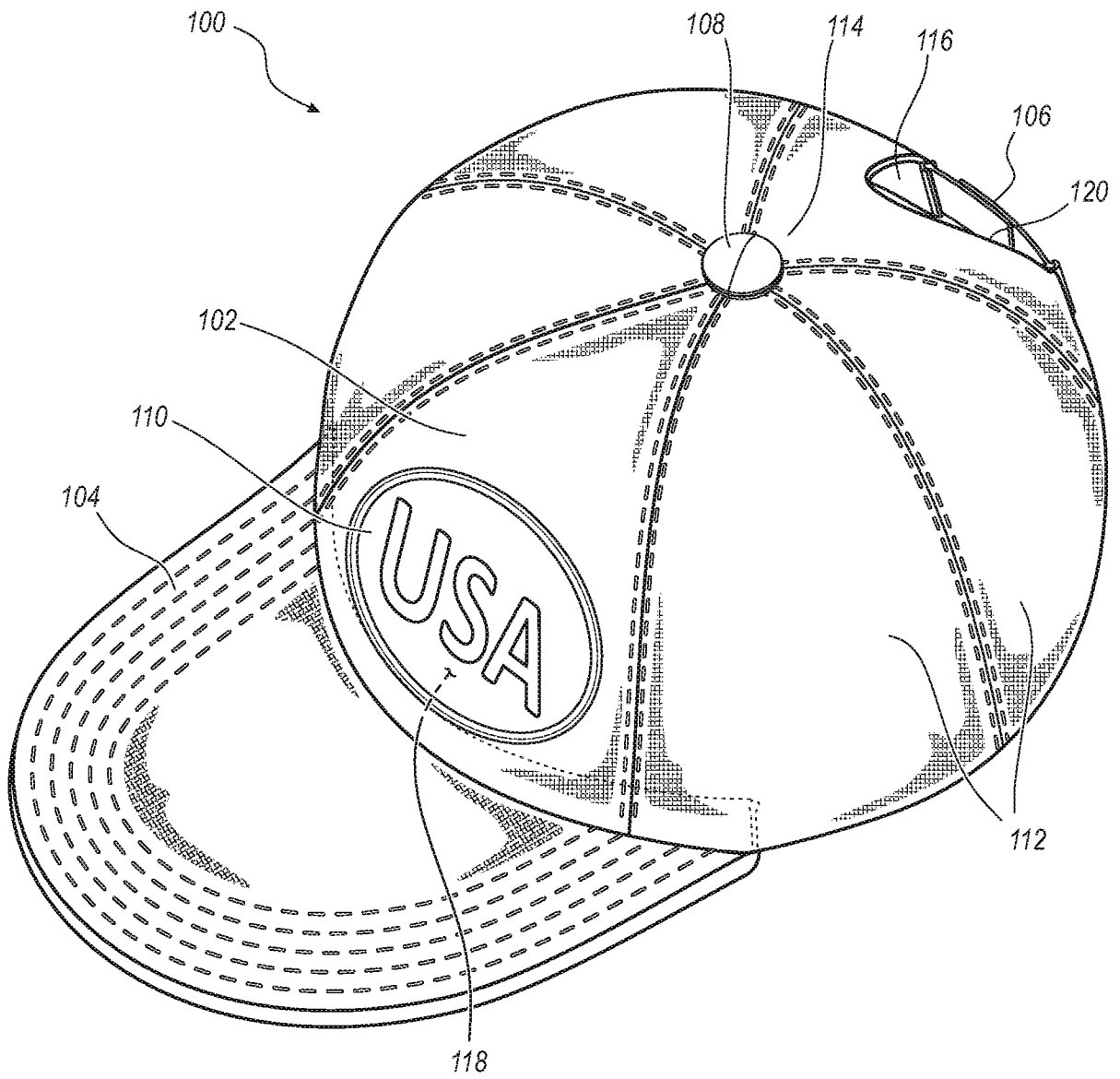


FIG. 1

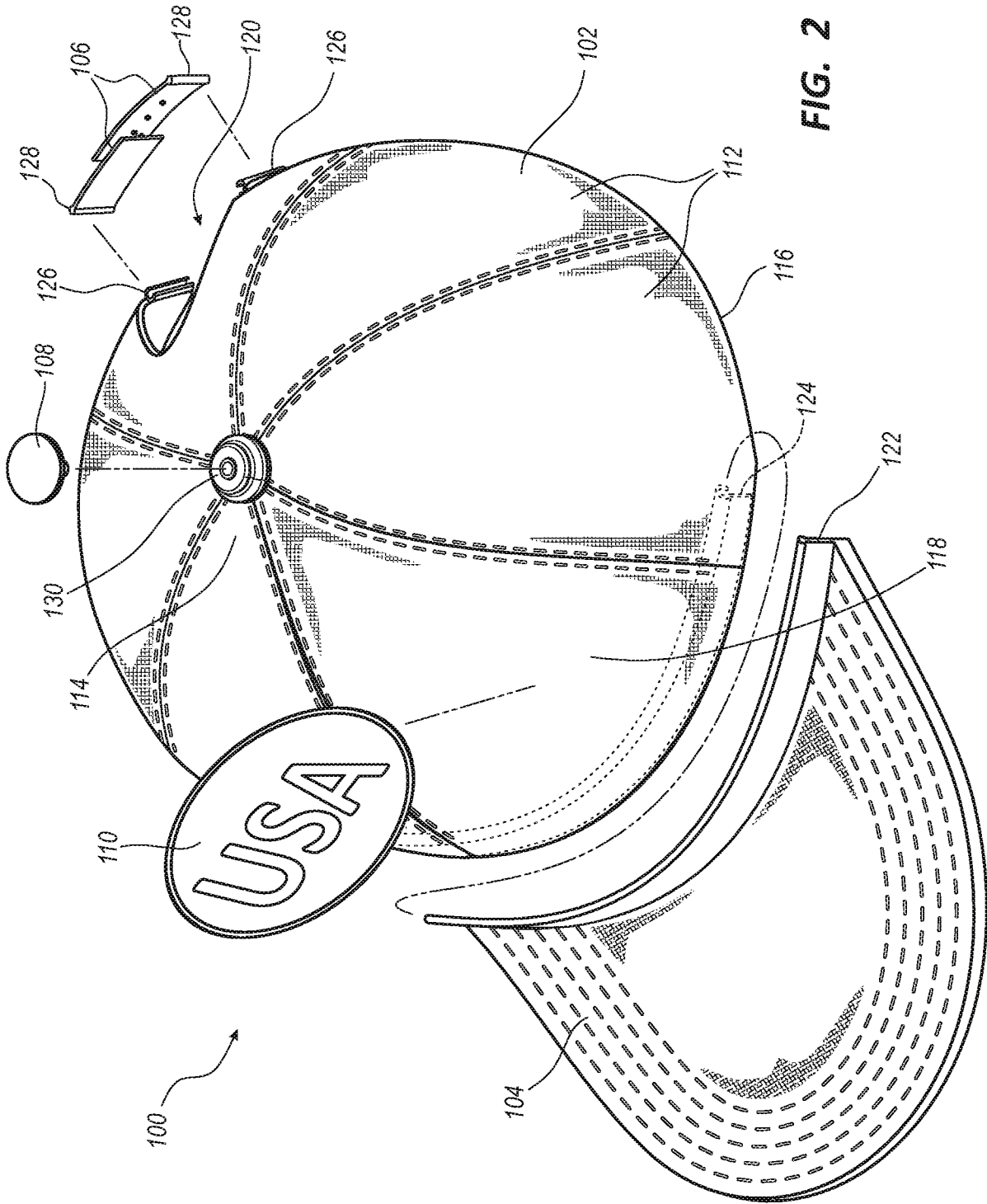


FIG. 2

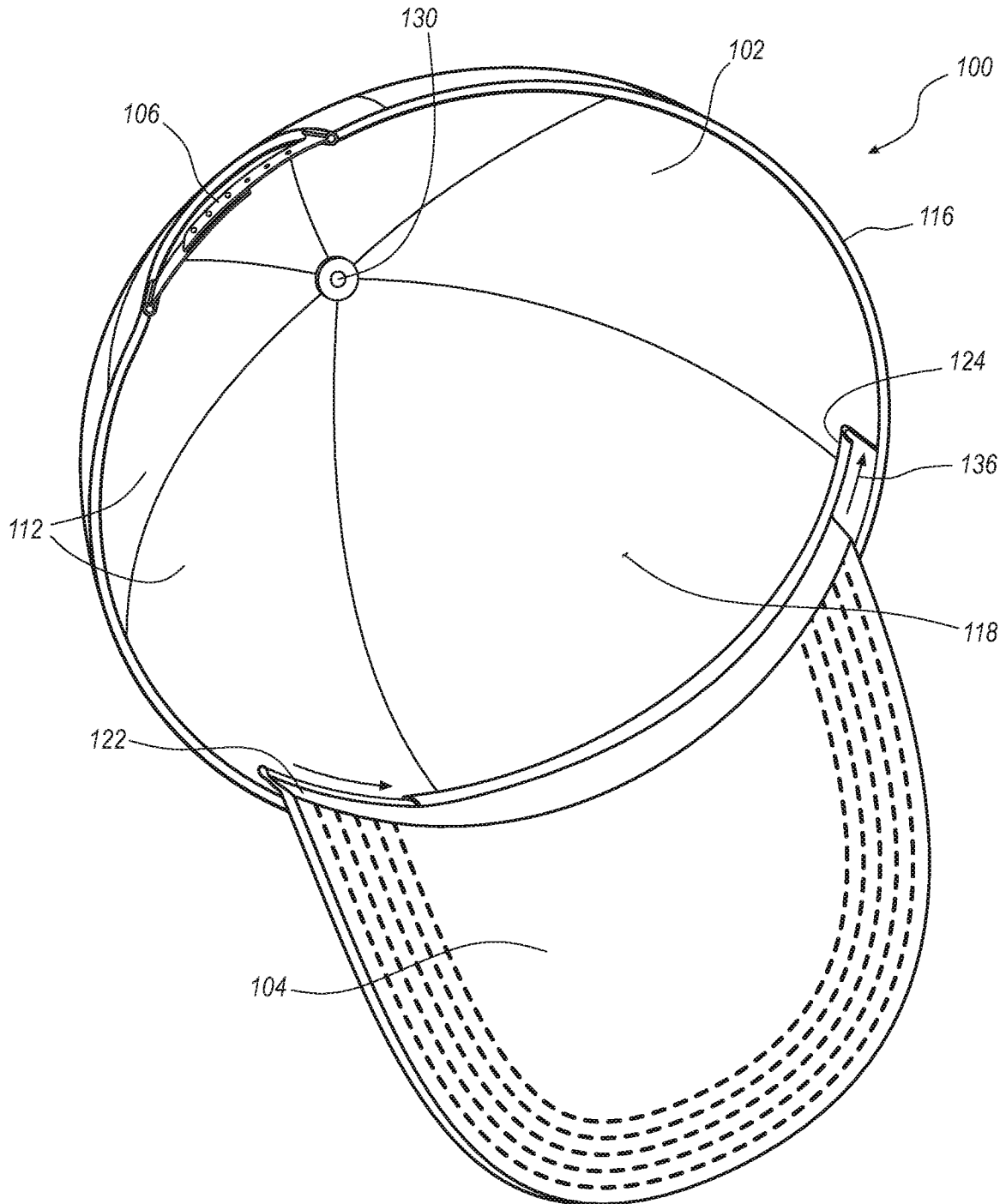


FIG. 3

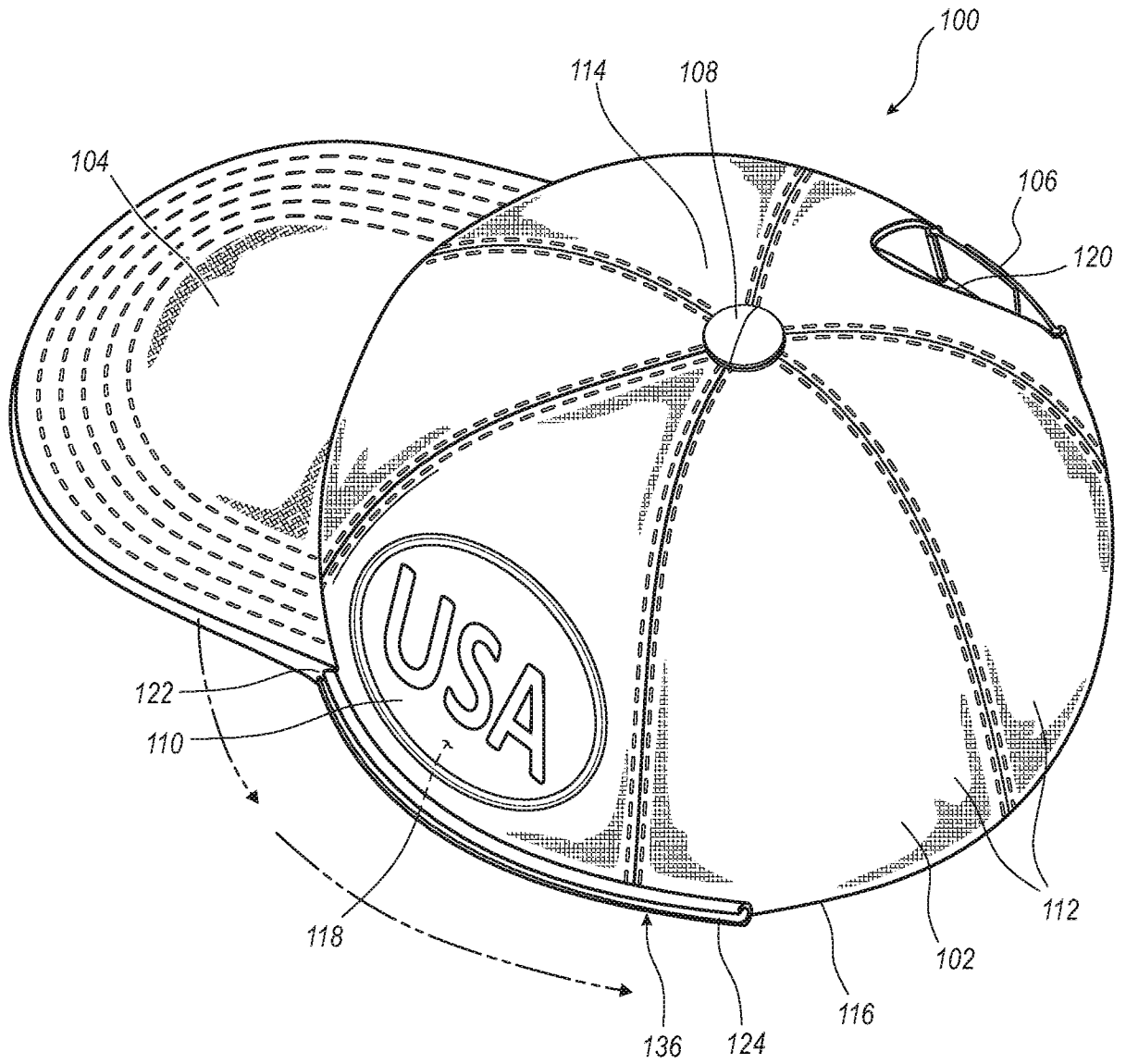
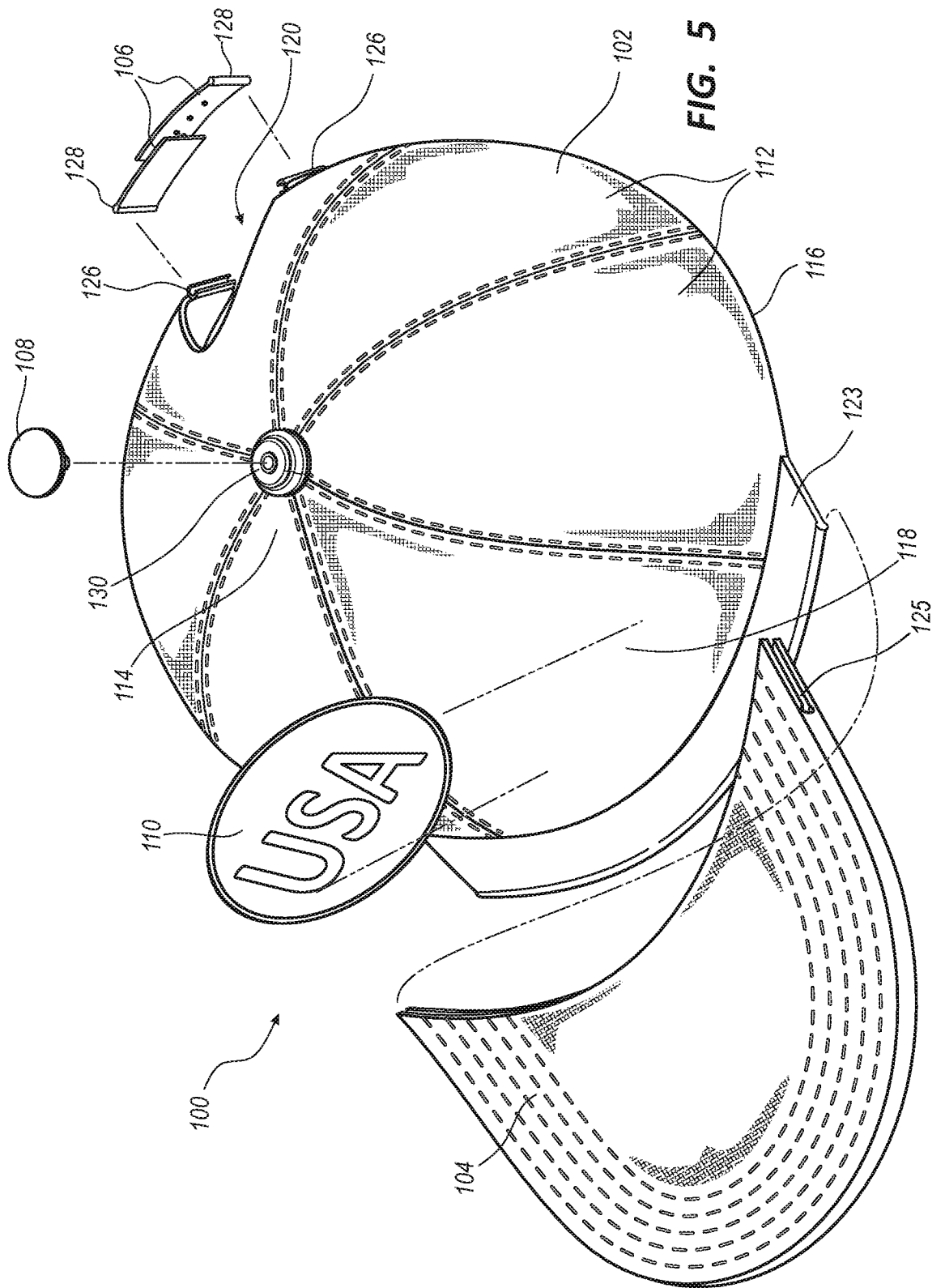


FIG. 4



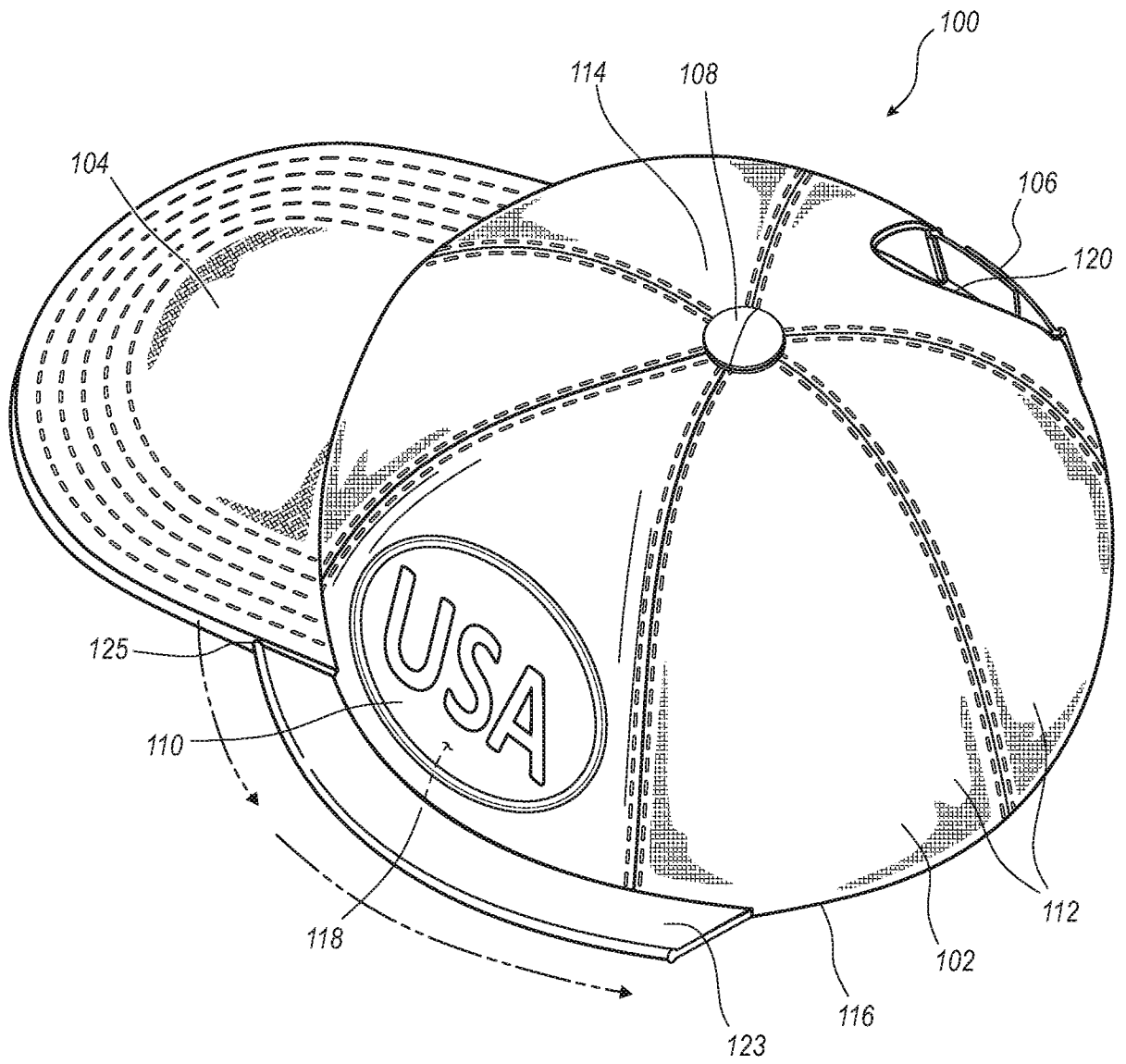


FIG. 6

7/13

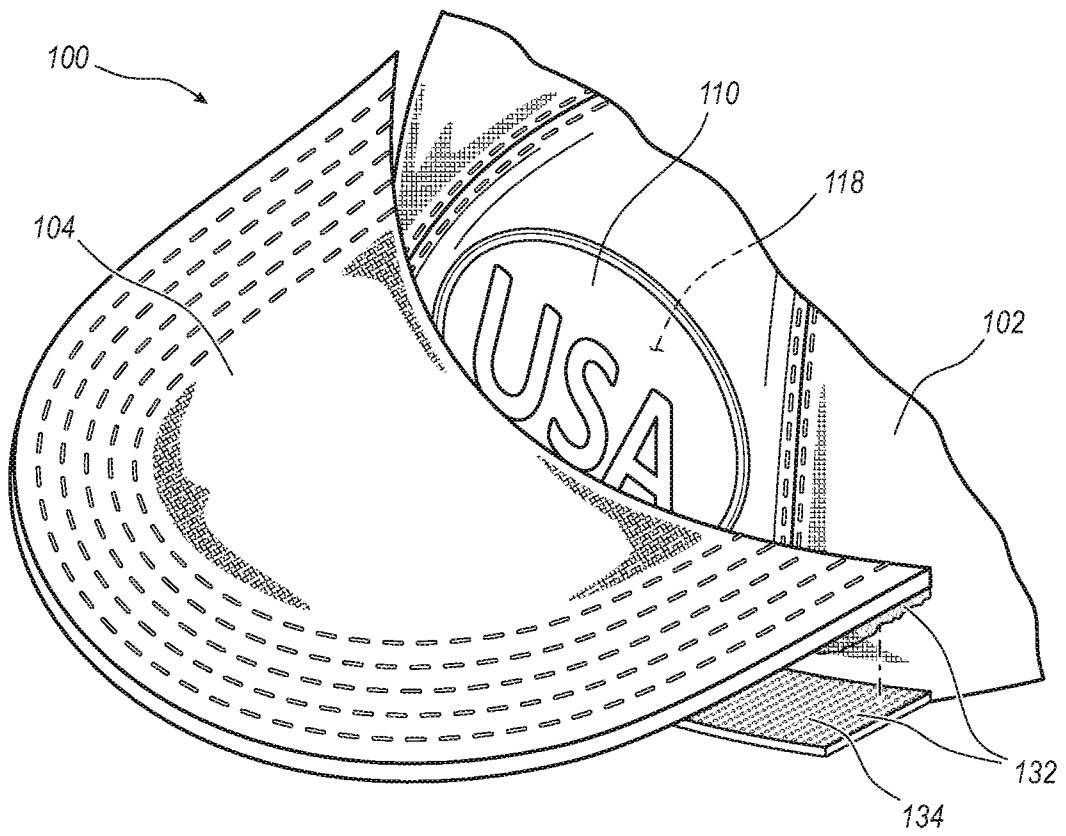


FIG. 7A

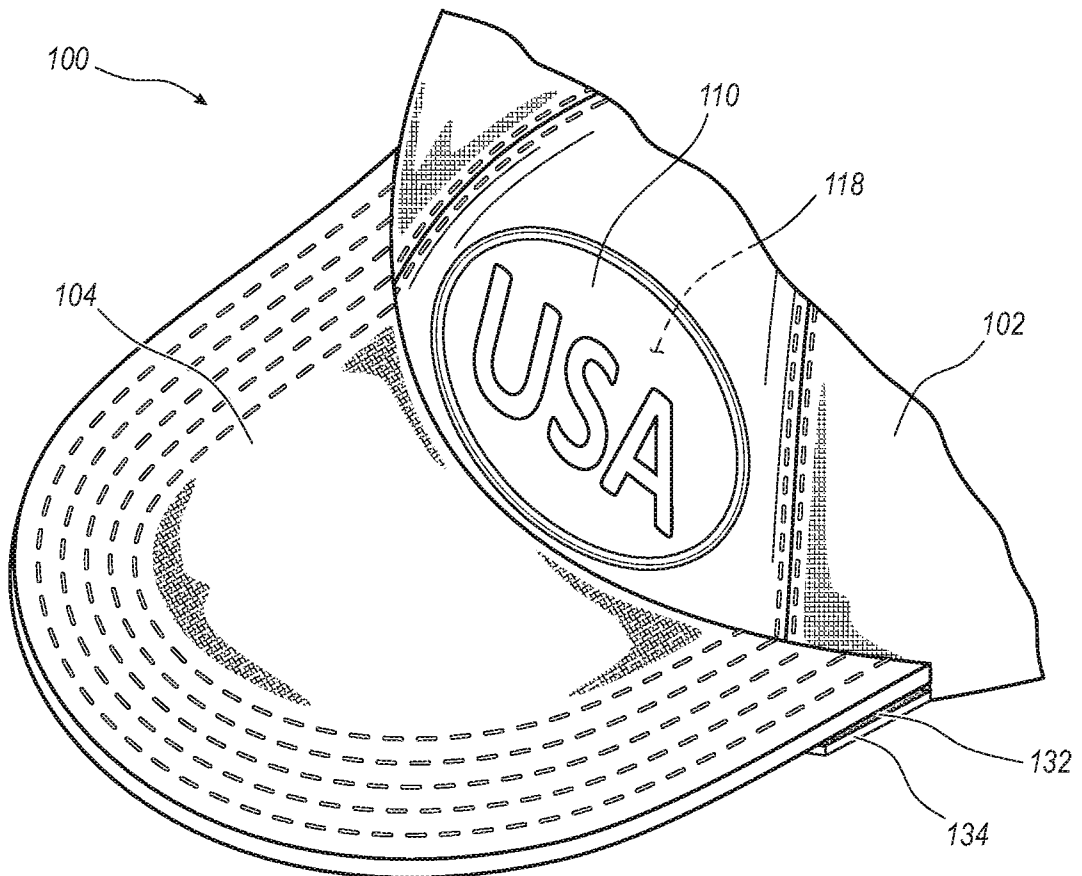


FIG. 7B

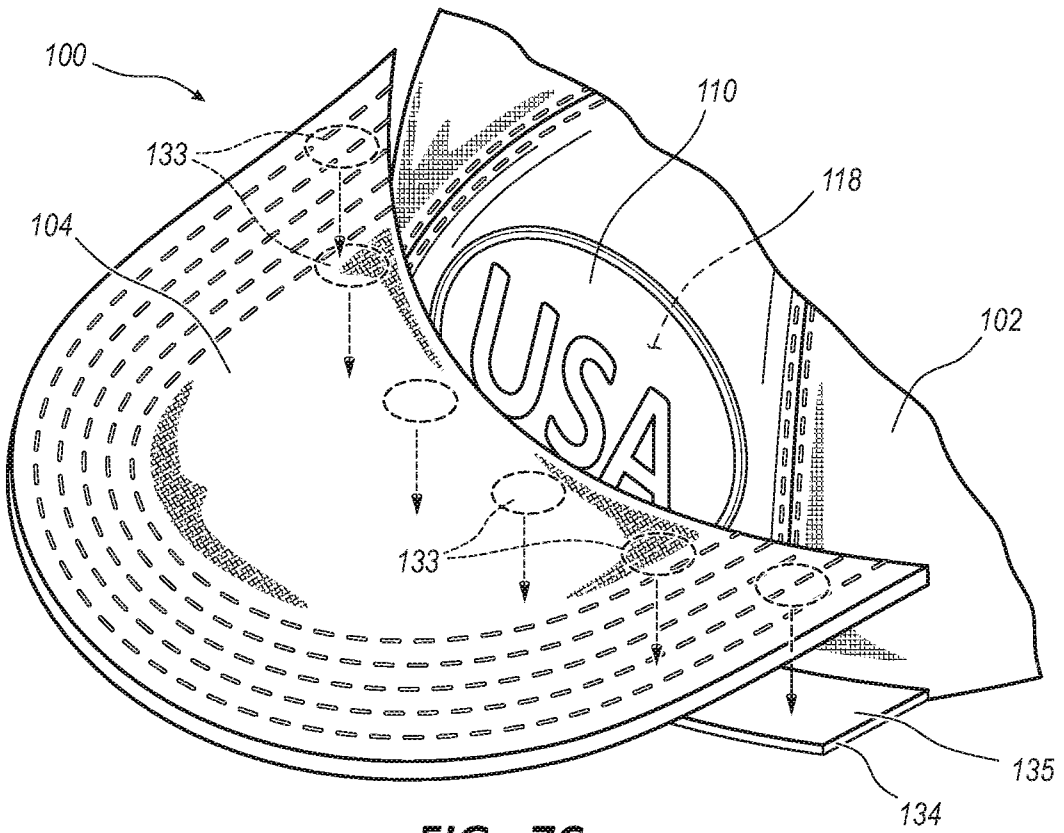


FIG. 7C

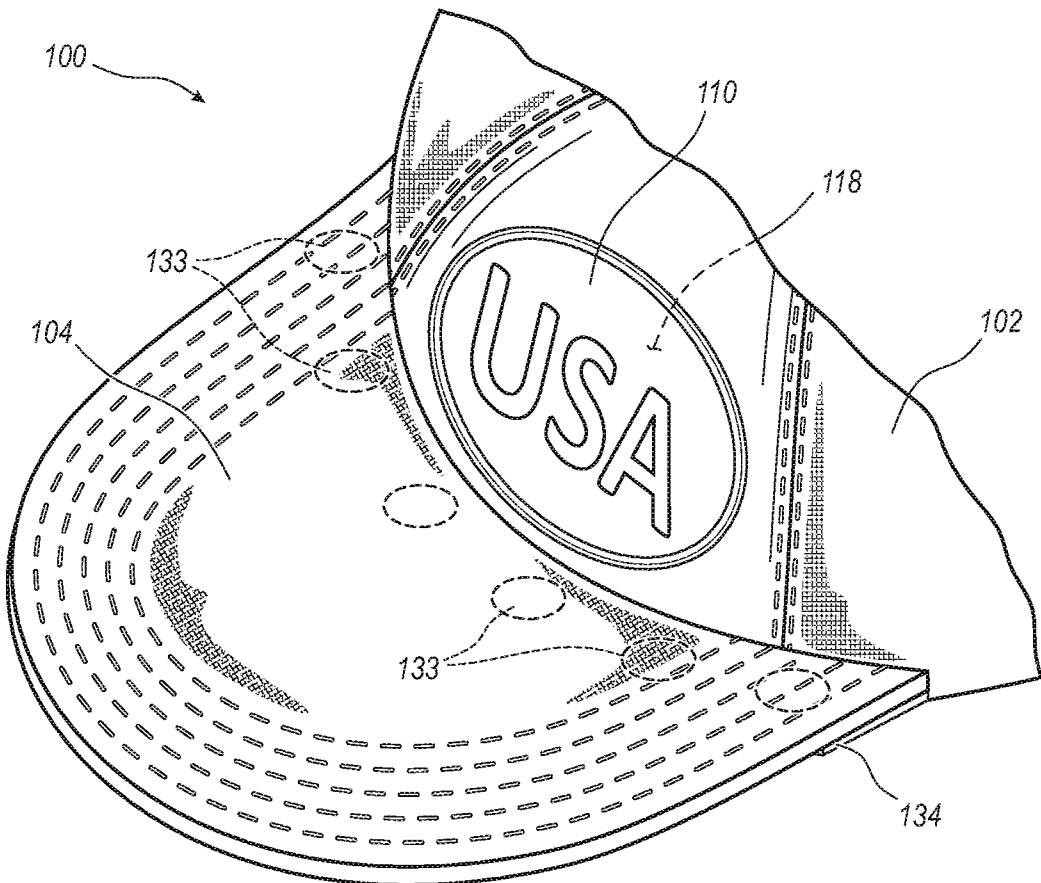


FIG. 7D

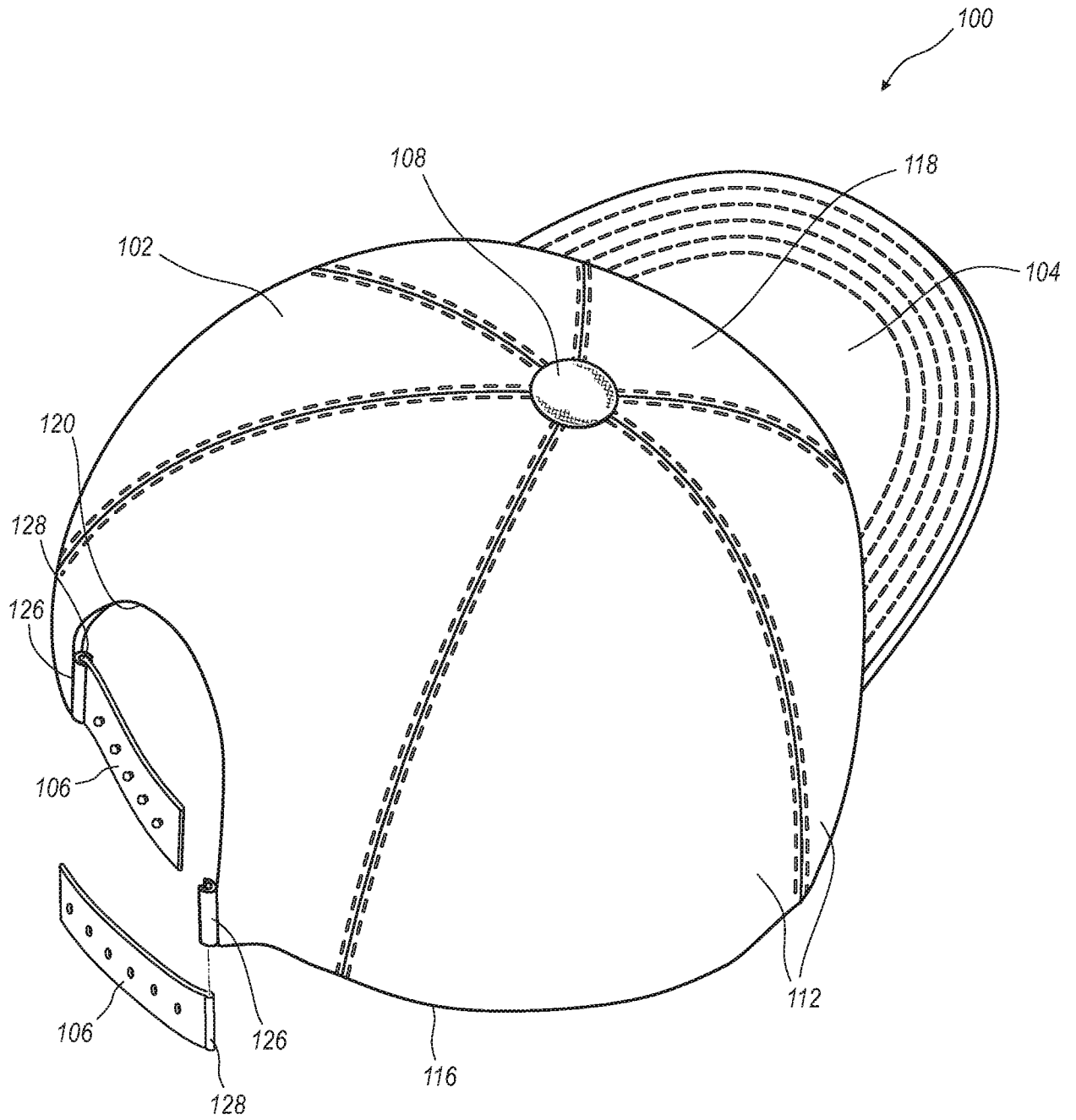


FIG. 8

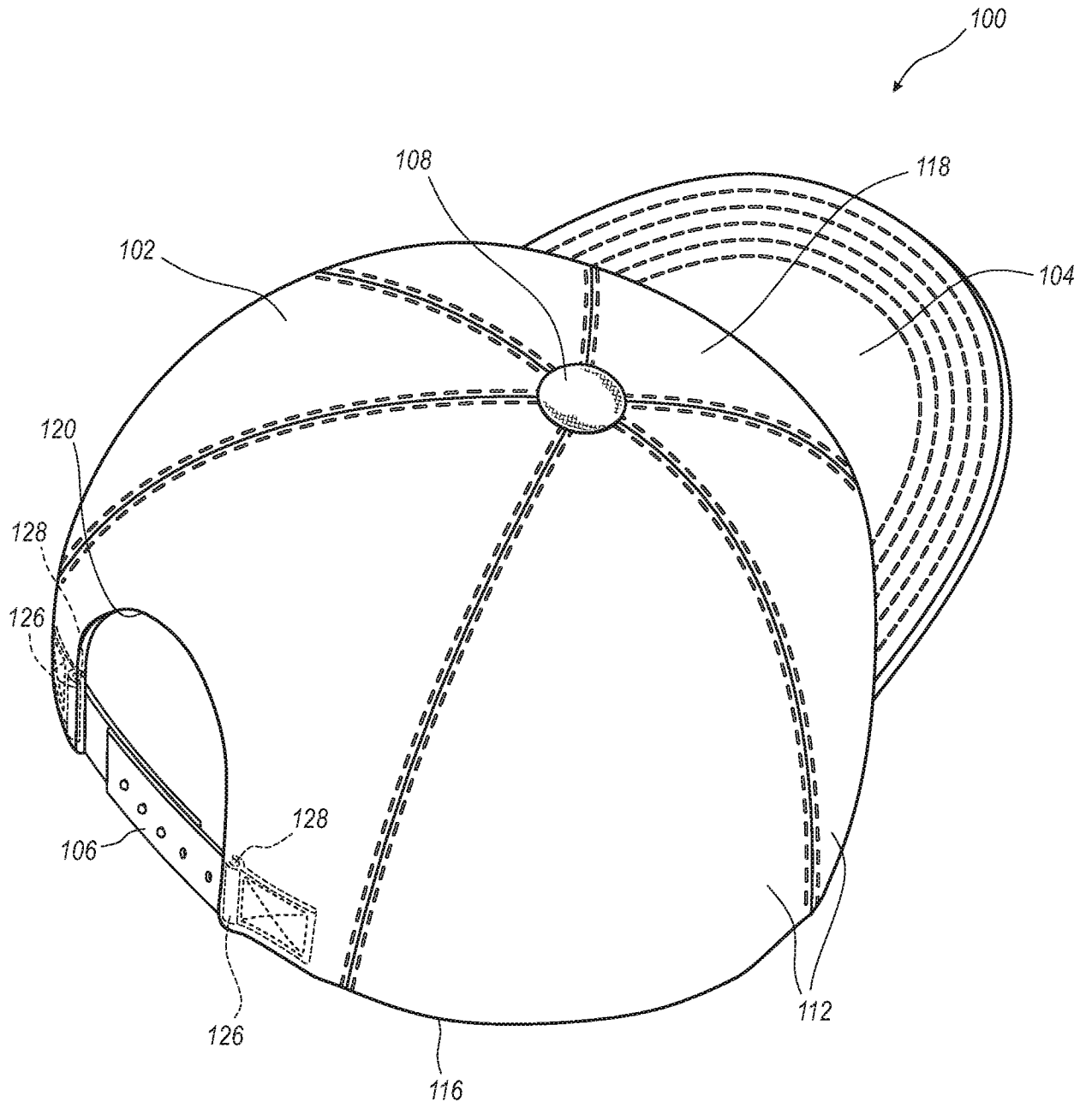


FIG. 9

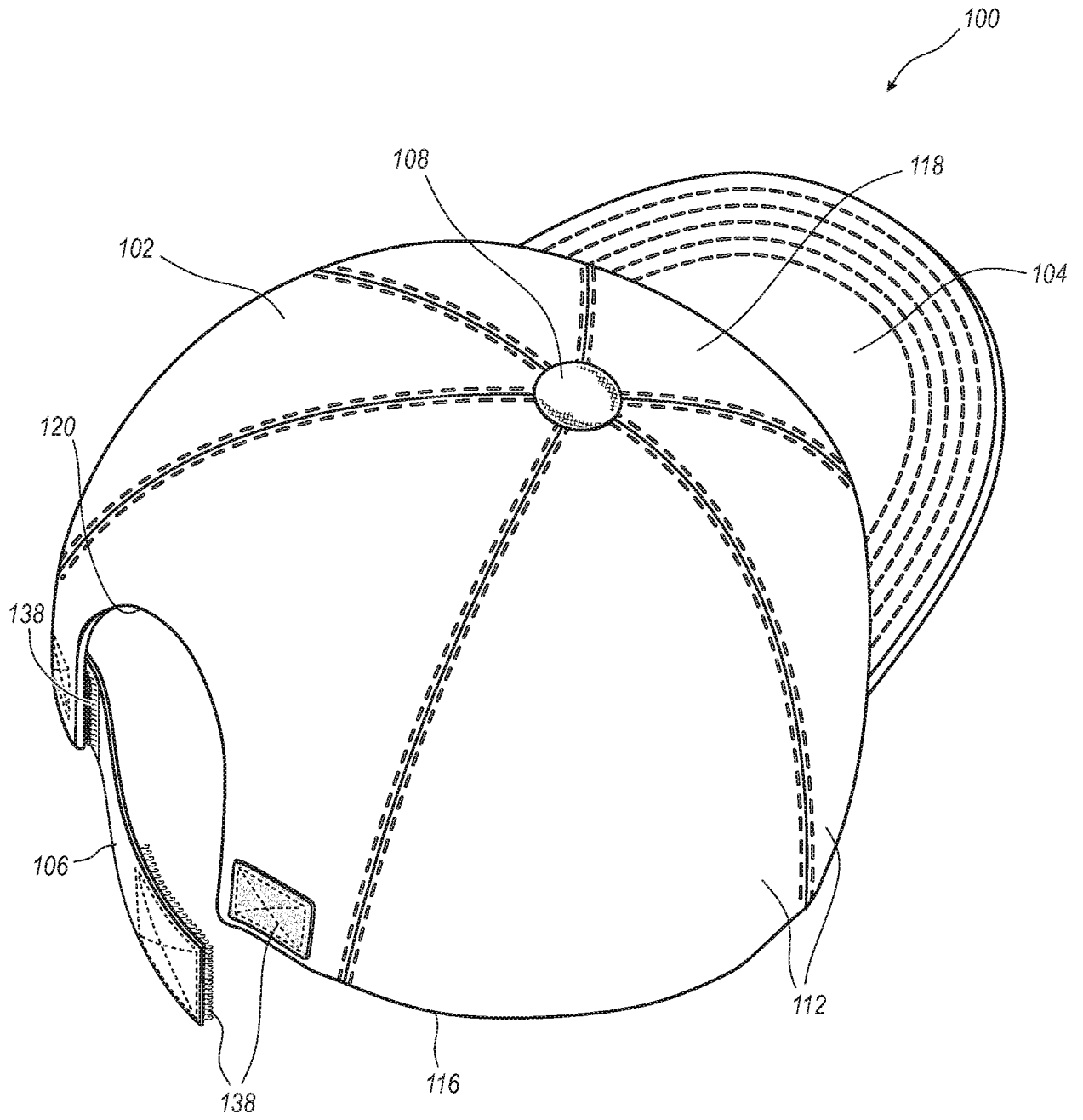


FIG. 10

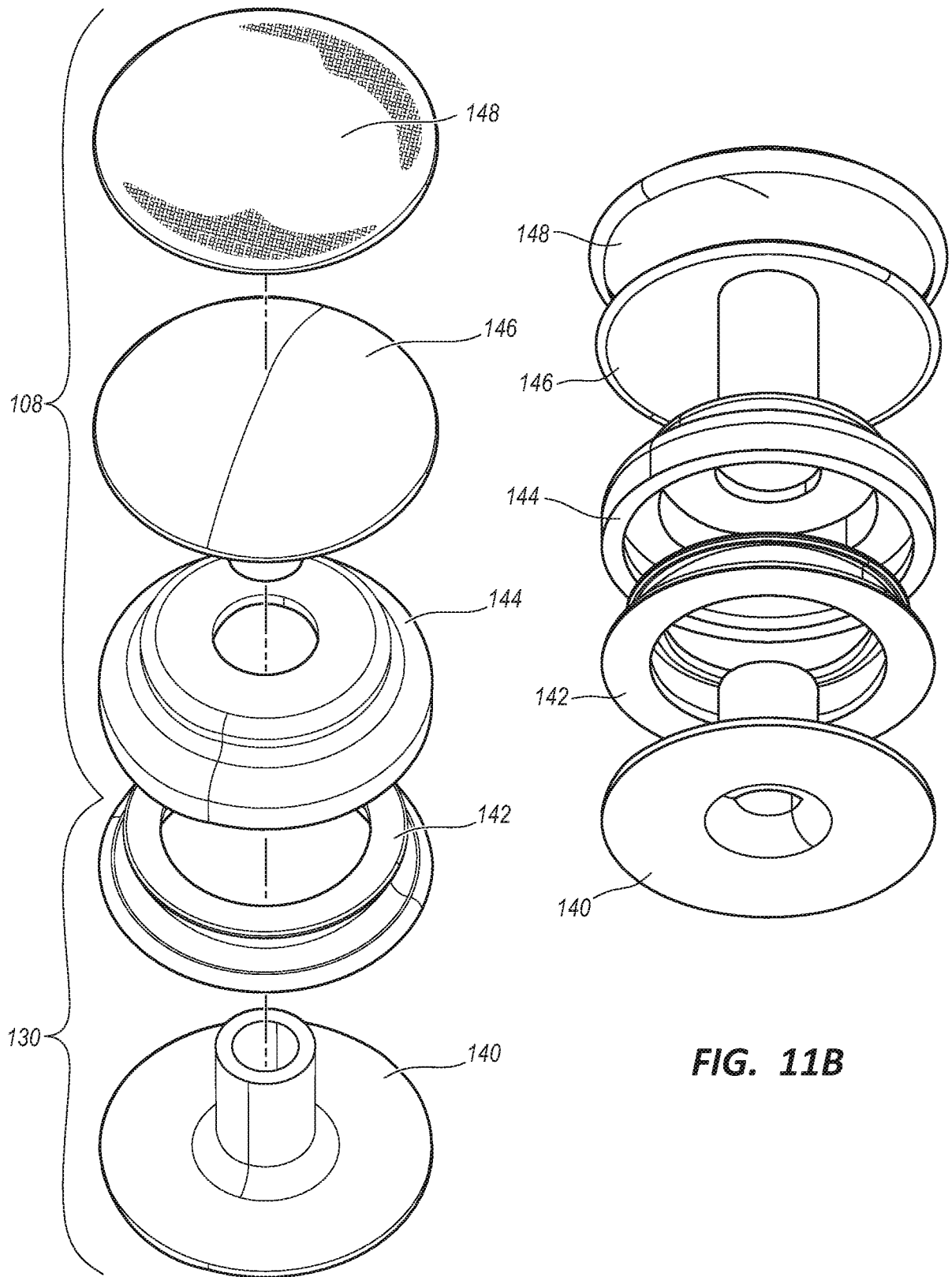
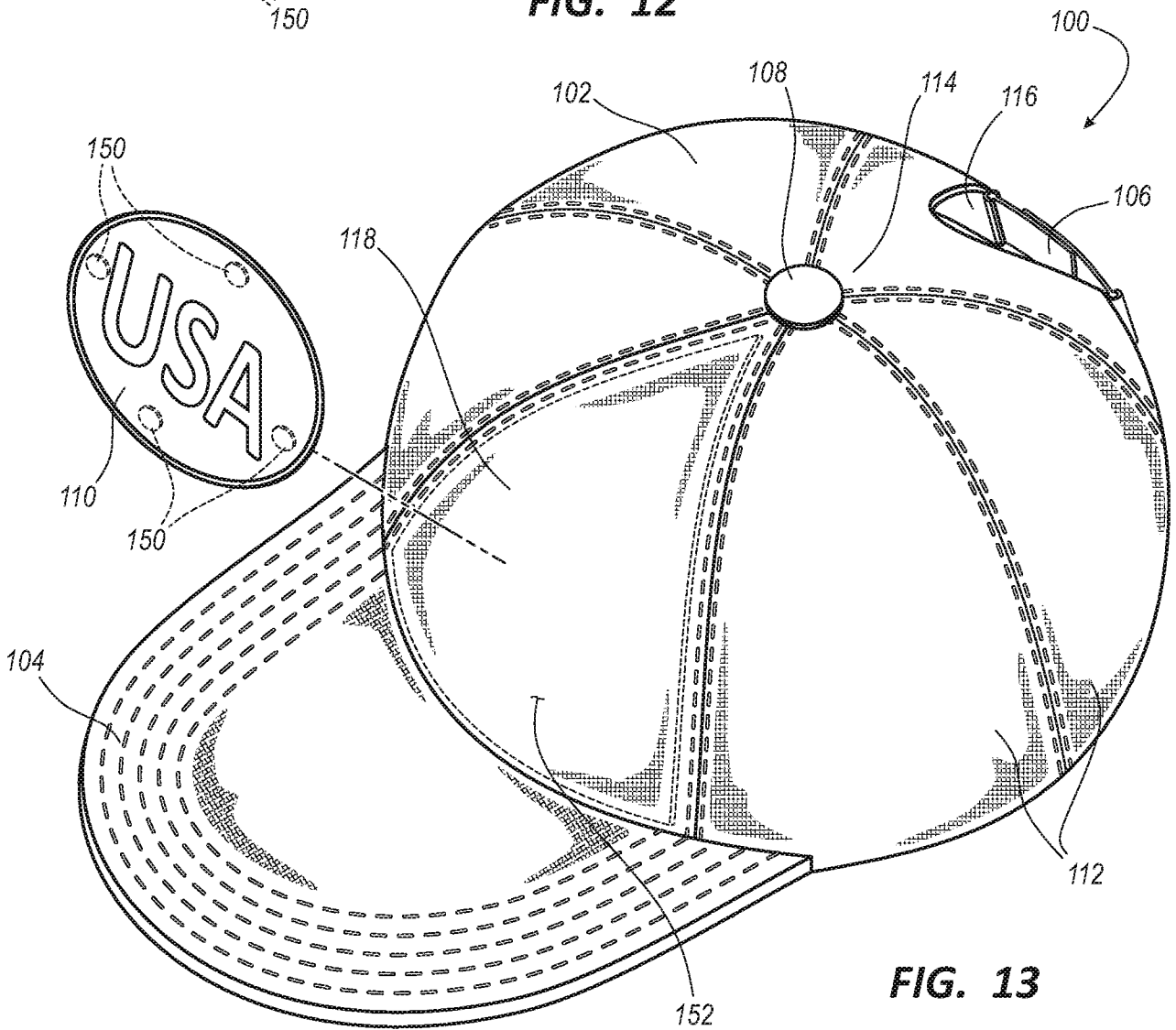
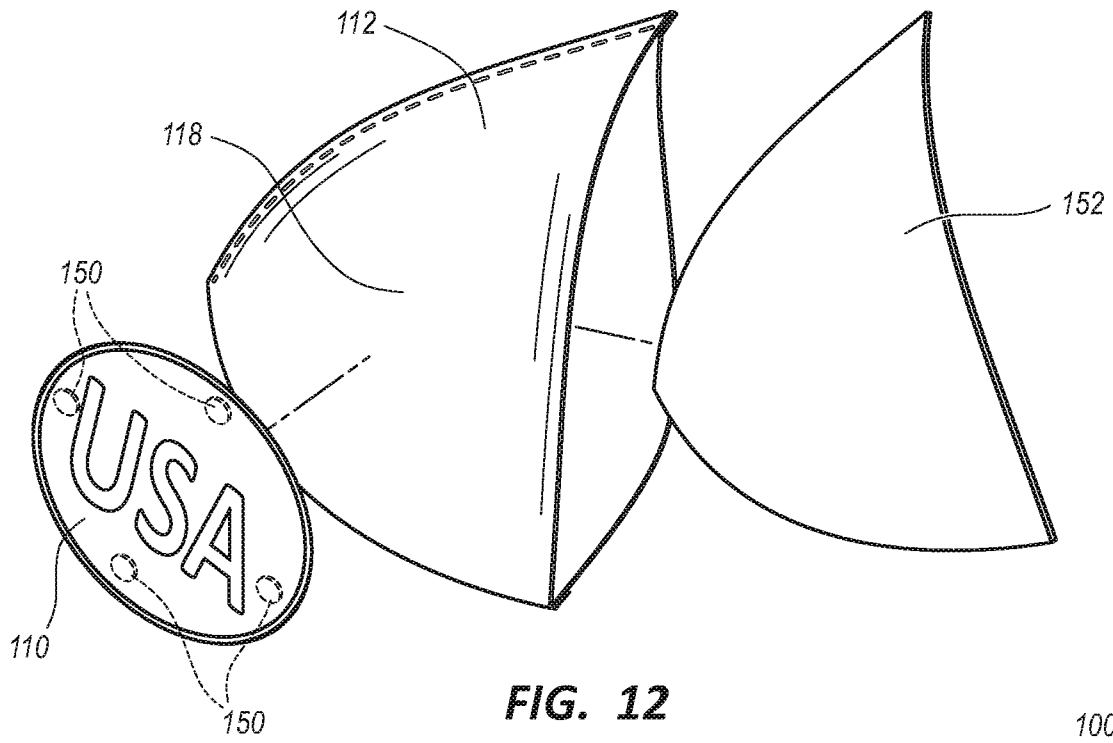


FIG. 11A

FIG. 11B



INTERNATIONAL SEARCH REPORT

International application No.
PCT/US2020/023966

A. CLASSIFICATION OF SUBJECT MATTER
IPC(8) - A42B 1/20; A42B 1/00; A42B 1/06; A42B 1/22; A42B 1/24 (2020.01)
CPC - A42B 1/206; A42B 1/004; A42B 1/062; A42B 1/064; A42B 1/205; A42B 1/22; A42B 1/24; A42B 1/248 (2020.05)

According to International Patent Classification (IPC) or to both national classification and IPC

B. FIELDS SEARCHED

Minimum documentation searched (classification system followed by classification symbols)
See Search History document

Documentation searched other than minimum documentation to the extent that such documents are included in the fields searched
USPC - 2/10; 2/422; 2/195.2; 2/209.12; 2/209.13 (keyword delimited)

Electronic data base consulted during the international search (name of data base and, where practicable, search terms used)
See Search History document

C. DOCUMENTS CONSIDERED TO BE RELEVANT

Category*	Citation of document, with indication, where appropriate, of the relevant passages	Relevant to claim No.
X --- Y	US 2010/0186147 A1 (GARZA) 29 July 2010 (29.07.2010) entire document. See also ISA/237 page 7.	1-3, 12 --- 4-11, 13-20
Y	US 2007/0028361 A1 (ASHY) 08 February 2007 (08.02.2007) entire document	4-7, 13-20
Y	US 2011/0030124 A1 (ZHEN) 10 February 2011 (10.02.2011) entire document	7
Y	US 2006/0137074 A1 (LAING) 29 June 2006 (29.06.2006) entire document	8-11, 13-20
A	US 2015/0189938 A1 (CENTREX PLASTICS, LLC) 09 July 2015 (09.07.2015) entire document	1-20
A	US 2018/0000180 A1 (GHOLSON) 04 January 2018 (04.01.2018) entire document	1-20
A	US 2012/0005809 A1 (JOHNSON) 12 January 2012 (12.01.2012) entire document	1-20

Further documents are listed in the continuation of Box C. See patent family annex.

* Special categories of cited documents:
 "A" document defining the general state of the art which is not considered to be of particular relevance
 "E" earlier application or patent but published on or after the international filing date
 "L" document which may throw doubts on priority claim(s) or which is cited to establish the publication date of another citation or other special reason (as specified)
 "O" document referring to an oral disclosure, use, exhibition or other means
 "P" document published prior to the international filing date but later than the priority date claimed
 "T" later document published after the international filing date or priority date and not in conflict with the application but cited to understand the principle or theory underlying the invention
 "X" document of particular relevance; the claimed invention cannot be considered novel or cannot be considered to involve an inventive step when the document is taken alone
 "Y" document of particular relevance; the claimed invention cannot be considered to involve an inventive step when the document is combined with one or more other such documents, such combination being obvious to a person skilled in the art
 "&" document member of the same patent family

Date of the actual completion of the international search
09 May 2020

Date of mailing of the international search report

26 MAY 2020

Name and mailing address of the ISA/US
Mail Stop PCT, Attn: ISA/US, Commissioner for Patents
P.O. Box 1450, Alexandria, VA 22313-1450
Facsimile No. 571-273-8300

Authorized officer
Blaine R. Copenheaver

PCT Helpdesk: 571-272-4300
PCT OSP: 571-272-7774