



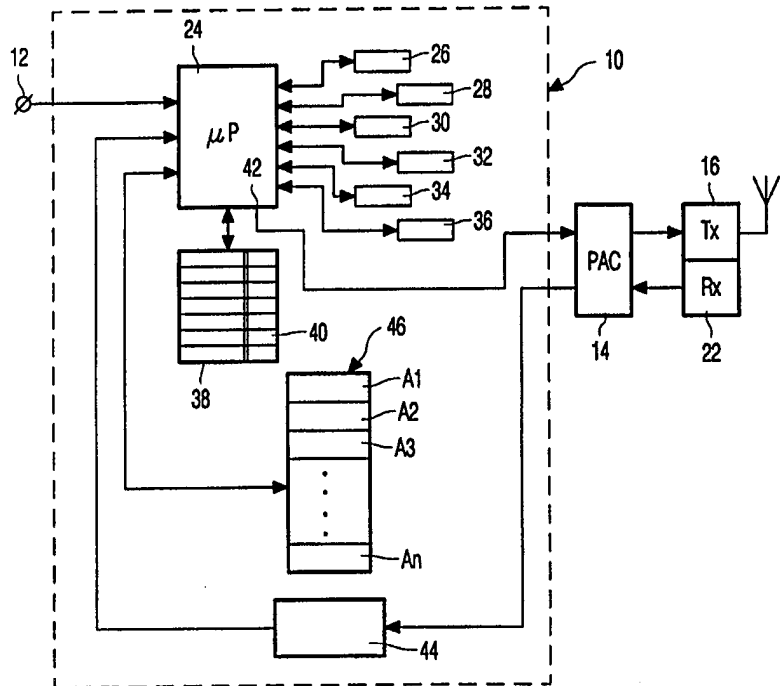
INTERNATIONAL APPLICATION PUBLISHED UNDER THE PATENT COOPERATION TREATY (PCT)

<p>(51) International Patent Classification ⁶ : H04Q 7/06</p>	<p>A3</p>	<p>(11) International Publication Number: WO 98/41045 (43) International Publication Date: 17 September 1998 (17.09.98)</p>
<p>(21) International Application Number: PCT/IB98/00198 (22) International Filing Date: 16 February 1998 (16.02.98) (30) Priority Data: 9704951.4 11 March 1997 (11.03.97) GB (71) Applicant: KONINKLIJKE PHILIPS ELECTRONICS N.V. [NL/NL]; Groenewoudseweg 1, NL-5621 BA Eindhoven (NL). (71) Applicant (for SE only): PHILIPS NORDEN AB [SE/SE]; Kottbygatan 7, Kista, S-164 85 Stockholm (SE). (72) Inventor: SHARPE, Anthony, Keith; Prof. Holstlaan 6, NL-5656 AA Eindhoven (NL). (74) Agent: MOODY, Colin, J.; Internationaal Octrooibureau B.V., P.O. Box 220, NL-5600 AE Eindhoven (NL).</p>		<p>(81) Designated States: CN, JP, KR, European patent (AT, BE, CH, DE, DK, ES, FI, FR, GB, GR, IE, IT, LU, MC, NL, PT, SE). Published <i>With international search report.</i> (88) Date of publication of the international search report: 10 December 1998 (10.12.98)</p>

(54) Title: MESSAGE TRANSMISSION SYSTEM, A METHOD OF OPERATING THE MESSAGE TRANSMISSION SYSTEM, AND A PRIMARY STATION THEREFOR

(57) Abstract

A message transmission system, such as a paging system, in which message compression is practised through the use of identical memories (46, 80 (not shown)) in a primary station (10) and a secondary station (20 - not shown) storing identically the most frequently used n (where n is an integer) items of numeric only or alpha-numeric data. The contents of the memories (46, 80) are updatable dynamically to reflect changes in the most frequently used items by the primary station examining messages to be sent to a particular addressee to see if an item is being used more frequently than one of those stored in which case the primary station at its own volition re-writes the data in the memories (46, 80). The secondary station automatically acknowledges that its memory has been updated. The inventive technique may also be applied to frequently used phrases and also to complex graphical data which it is more efficient to store in the primary and secondary stations and to transmit a memory location indicator.



FOR THE PURPOSES OF INFORMATION ONLY

Codes used to identify States party to the PCT on the front pages of pamphlets publishing international applications under the PCT.

AL	Albania	ES	Spain	LS	Lesotho	SI	Slovenia
AM	Armenia	FI	Finland	LT	Lithuania	SK	Slovakia
AT	Austria	FR	France	LU	Luxembourg	SN	Senegal
AU	Australia	GA	Gabon	LV	Latvia	SZ	Swaziland
AZ	Azerbaijan	GB	United Kingdom	MC	Monaco	TD	Chad
BA	Bosnia and Herzegovina	GE	Georgia	MD	Republic of Moldova	TG	Togo
BB	Barbados	GH	Ghana	MG	Madagascar	TJ	Tajikistan
BE	Belgium	GN	Guinea	MK	The former Yugoslav Republic of Macedonia	TM	Turkmenistan
BF	Burkina Faso	GR	Greece			TR	Turkey
BG	Bulgaria	HU	Hungary	ML	Mali	TT	Trinidad and Tobago
BJ	Benin	IE	Ireland	MN	Mongolia	UA	Ukraine
BR	Brazil	IL	Israel	MR	Mauritania	UG	Uganda
BY	Belarus	IS	Iceland	MW	Malawi	US	United States of America
CA	Canada	IT	Italy	MX	Mexico	UZ	Uzbekistan
CF	Central African Republic	JP	Japan	NE	Niger	VN	Viet Nam
CG	Congo	KE	Kenya	NL	Netherlands	YU	Yugoslavia
CH	Switzerland	KG	Kyrgyzstan	NO	Norway	ZW	Zimbabwe
CI	Côte d'Ivoire	KP	Democratic People's Republic of Korea	NZ	New Zealand		
CM	Cameroon		Republic of Korea	PL	Poland		
CN	China	KR	Republic of Korea	PT	Portugal		
CU	Cuba	KZ	Kazakstan	RO	Romania		
CZ	Czech Republic	LC	Saint Lucia	RU	Russian Federation		
DE	Germany	LI	Liechtenstein	SD	Sudan		
DK	Denmark	LK	Sri Lanka	SE	Sweden		
EE	Estonia	LR	Liberia	SG	Singapore		

INTERNATIONAL SEARCH REPORT

International application No.

PCT/IB 98/00198

A. CLASSIFICATION OF SUBJECT MATTER		
IPC6: H04Q 7/06 According to International Patent Classification (IPC) or to both national classification and IPC		
B. FIELDS SEARCHED		
Minimum documentation searched (classification system followed by classification symbols)		
IPC6: H04Q		
Documentation searched other than minimum documentation to the extent that such documents are included in the fields searched		
SE,DK,FI,NO classes as above		
Electronic data base consulted during the international search (name of data base and, where practicable, search terms used)		
C. DOCUMENTS CONSIDERED TO BE RELEVANT		
Category*	Citation of document, with indication, where appropriate, of the relevant passages	Relevant to claim No.
X	WO 9015511 A1 (MOTOROLA INC.), 13 December 1990 (13.12.90), page 7, line 11 - page 8, line 22; page 10, line 5 - line 12, abstract --	1-10
X	WO 8604476 A1 (MULTITONE ELECTRONICS PLC.), 31 July 1986 (31.07.86), page 3, line 1 - line 2; page 7, line 19 - line 35 --	1-10
A	EP 0583064 A (NEC CORPORATION), 16 February 1994 (16.02.94), column 1, line 58 - column 2, line 11, abstract --	4,8
<input checked="" type="checkbox"/> Further documents are listed in the continuation of Box C. <input checked="" type="checkbox"/> See patent family annex.		
* Special categories of cited documents: "A" document defining the general state of the art which is not considered to be of particular relevance "E" earlier document but published on or after the international filing date "L" document which may throw doubts on priority claim(s) or which is cited to establish the publication date of another citation or other special reason (as specified) "O" document referring to an oral disclosure, use, exhibition or other means "P" document published prior to the international filing date but later than the priority date claimed		"T" later document published after the international filing date or priority date and not in conflict with the application but cited to understand the principle or theory underlying the invention "X" document of particular relevance: the claimed invention cannot be considered novel or cannot be considered to involve an inventive step when the document is taken alone "Y" document of particular relevance: the claimed invention cannot be considered to involve an inventive step when the document is combined with one or more other such documents, such combination being obvious to a person skilled in the art "&" document member of the same patent family
Date of the actual completion of the international search		Date of mailing of the international search report
6 Sept 1998		10-09-1998
Name and mailing address of the ISA/ Swedish Patent Office Box 5055, S-102 42 STOCKHOLM Facsimile No. +46 8 666 02 86		Authorized officer Per Källquist Telephone No. +46 8 782 25 00

INTERNATIONAL SEARCH REPORT

International application No.

PCT/IB 98/00198

C (Continuation). DOCUMENTS CONSIDERED TO BE RELEVANT		
Category*	Citation of document, with indication, where appropriate, of the relevant passages	Relevant to claim No.
A	WO 9708837 A2 (MOTOROLA INC.), 6 March 1997 (06.03.97), page 1, line 11 - line 18; page 2, line 6 - line 23; page 19, line 5 - line 9, figure 1 --	4,8
A	US 5452356 A (D.E. ALBERT), 19 Sept 1995 (19.09.95), column 3, line 17 - line 37, abstract --	4,8
A	US 5546077 A (R.L. LIPP ET AL), 13 August 1996 (13.08.96), column 3, line 12 - line 23, abstract --	1-10
A	US 4959785 A (Y. YAMAMOTO ET AL), 25 Sept 1990 (25.09.90), column 9, line 42 - line 50; column 14, line 12 - line 70 -- -----	1-10

INTERNATIONAL SEARCH REPORT

Information on patent family members

27/07/98

International application No.

PCT/IB 98/00198

Patent document cited in search report	Publication date	Patent family member(s)	Publication date
WO 9015511 A1	13/12/90	NONE	
WO 8604476 A1	31/07/86	DK 165615 B,C DK 447186 A EP 0210213 A,B SE 0210213 T3 JP 62501533 T	21/12/92 18/09/86 04/02/87 18/06/87
EP 0583064 A	16/02/94	CN 1085028 A JP 6029907 A US 5764157 A JP 6140982 A	06/04/94 04/02/94 09/06/98 20/05/94
WO 9708837 A2	06/03/97	US 5696500 A	09/12/97
US 5452356 A	19/09/95	CA 2115296 A EP 0611124 A US 5481255 A	11/08/94 17/08/94 02/01/96
US 5546077 A	13/08/96	NONE	
US 4959785 A	25/09/90	DE 3852341 D,T EP 0293161 A,B JP 1949486 C JP 6082370 B JP 63292365 A	01/06/95 30/11/88 10/07/95 19/10/94 29/11/88