



US00D737440S

(12) **United States Design Patent**  
**Shabaz**

(10) **Patent No.:** **US D737,440 S**

(45) **Date of Patent:** **\*\* Aug. 25, 2015**

- (54) **BIOPSY DEVICE**
- (71) Applicant: **C. R. Bard, Inc.**, Tempe, AZ (US)
- (72) Inventor: **Martin Victor Shabaz**, Lake Forest, CA (US)
- (73) Assignee: **C. R. Bard, Inc.**, Murray Hill, NJ (US)
- (\*\*) Term: **14 Years**

5,353,804 A	10/1994	Kornberg et al.
5,368,045 A	11/1994	Clement et al.
5,400,798 A	3/1995	Baran
5,476,101 A	12/1995	Schramm et al.
5,492,130 A	2/1996	Chiou
5,507,298 A	4/1996	Schramm et al.
5,515,861 A	5/1996	Smith
5,546,957 A	8/1996	Heske
5,655,542 A	8/1997	Weilandt
5,817,033 A	10/1998	DeSantis et al.
5,842,999 A	12/1998	Pruitt et al.

(Continued)

- (21) Appl. No.: **29/447,914**
- (22) Filed: **Mar. 7, 2013**
- (51) **LOC (10) Cl.** ..... **24-02**
- (52) **U.S. Cl.**  
USPC ..... **D24/146**
- (58) **Field of Classification Search**  
USPC ..... D7/649; D8/14.1, 29.1, 92, 93, 95, 97,  
D8/98, 99; D19/110, 115; D24/130, 133,  
D24/146, 147, 150, 151; 30/151, 162, 338,  
30/339; 606/4, 5, 6, 44, 107, 166  
See application file for complete search history.

**FOREIGN PATENT DOCUMENTS**

WO	2005072621 A1	8/2005
WO	2006022699 A1	3/2006
WO	2013158072 A1	10/2013

*Primary Examiner* — Robert M Spear  
*Assistant Examiner* — Marissa J Cash

(57) **CLAIM**  
The ornamental design for a biopsy device, as shown and described.

**DESCRIPTION**

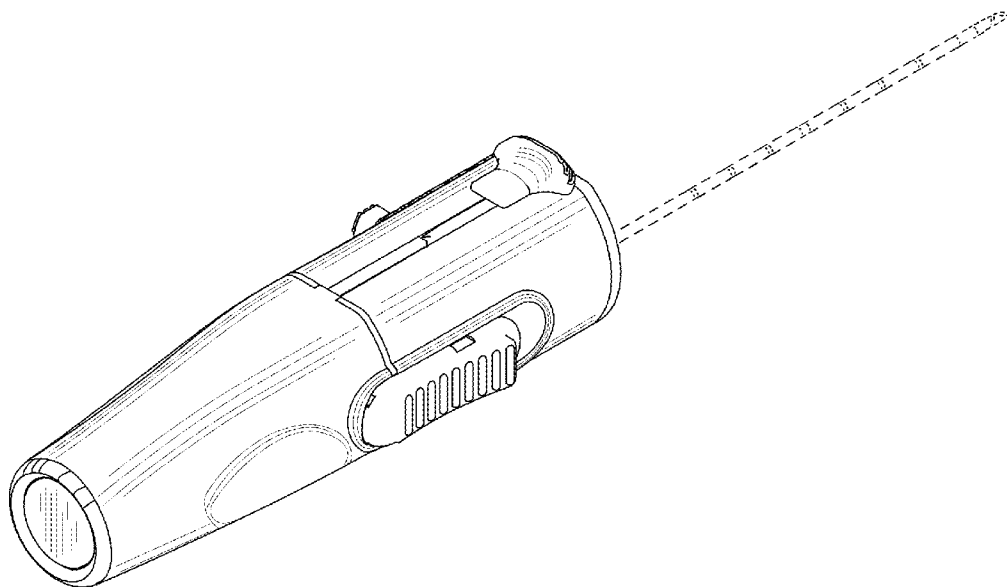
FIG. 1 is a perspective view of a biopsy device showing my new design;  
FIG. 2 is a top view of the biopsy device of FIG. 1;  
FIG. 3 is a bottom view of the biopsy device of FIG. 1;  
FIG. 4 is a right side view of the biopsy device of FIG. 1;  
FIG. 5 is a left side view of the biopsy device of FIG. 1;  
FIG. 6 is an end view of the biopsy device of FIG. 1 as viewed from the distal end of the biopsy device; and,  
FIG. 7 is an end view of the biopsy device of FIG. 1 as viewed from the proximal end of the biopsy device.  
In the drawings, the broken lines depict unclaimed subject matter only and form no part of the claimed design.

**1 Claim, 6 Drawing Sheets**

(56) **References Cited**

**U.S. PATENT DOCUMENTS**

3,561,429 A	2/1971	Jewett
4,881,551 A	11/1989	Taylor
4,907,599 A	3/1990	Taylor
4,944,308 A	7/1990	Akerfeldt
4,950,265 A	8/1990	Taylor
4,953,558 A	9/1990	Akerfeldt
5,156,160 A	10/1992	Bennett
5,213,110 A	5/1993	Kedem et al.
5,224,470 A	7/1993	Schnepf-Pesch et al.
5,249,583 A	10/1993	Mallaby
5,284,156 A	2/1994	Schramm et al.
5,335,671 A	8/1994	Clement
5,335,672 A	8/1994	Bennett



(56)

References Cited

U.S. PATENT DOCUMENTS

5,916,175 A	6/1999	Bauer	8,162,850 B2	4/2012	Parihar et al.
5,951,489 A	9/1999	Bauer	8,162,851 B2	4/2012	Heske et al.
5,954,670 A	9/1999	Baker	8,187,294 B2	5/2012	Miller et al.
5,971,939 A	10/1999	DeSantis et al.	8,192,369 B2	6/2012	Bacon et al.
5,989,196 A	11/1999	Chu et al.	8,197,419 B2	6/2012	Field et al.
5,989,197 A	11/1999	Avaltroni	8,246,551 B2	8/2012	Miller et al.
6,007,497 A	12/1999	Huitema	8,251,917 B2	8/2012	Almazan
6,165,136 A	12/2000	Nishtala	8,262,586 B2	9/2012	Anderson et al.
6,283,925 B1	9/2001	Terwilliger	8,277,394 B2	10/2012	Hibner
6,346,085 B1	2/2002	Schiffman	8,287,465 B2	10/2012	Hardin et al.
6,358,217 B1	3/2002	Bourassa	8,328,836 B2	12/2012	Conlon et al.
6,436,054 B1	8/2002	Viola et al.	8,343,072 B2	1/2013	Bacon et al.
6,592,530 B1	7/2003	Farhadi	8,357,104 B2	1/2013	Moos et al.
6,749,576 B2	6/2004	Bauer	2003/0163062 A1	8/2003	Bauer
D493,532 S *	7/2004	Levaughn et al. .... D24/146	2004/0167429 A1	8/2004	Roshdieh et al.
6,758,824 B1	7/2004	Miller et al.	2004/0267154 A1	12/2004	Sutton et al.
RE38,776 E	8/2005	Bauer	2005/0054947 A1	3/2005	Goldenberg
6,984,213 B2	1/2006	Horner et al.	2005/0054948 A1	3/2005	Goldenberg
7,008,382 B2	3/2006	Adams et al.	2005/0075580 A1	4/2005	Leigh et al.
D533,274 S *	12/2006	Visconti et al. .... D24/133	2006/0116604 A1	6/2006	Adams et al.
7,153,275 B2	12/2006	Blondeau	2006/0276747 A1	12/2006	Moos et al.
7,156,815 B2	1/2007	Leigh et al.	2007/0167868 A1	7/2007	Sauer
7,179,232 B2	2/2007	Sutton et al.	2007/0213635 A1	9/2007	Hancock
7,278,970 B2	10/2007	Goldenberg	2007/0239064 A1	10/2007	Cicenas et al.
7,329,227 B2	2/2008	Schramm	2007/0239065 A1	10/2007	Zadow
7,402,140 B2	7/2008	Spero et al.	2007/0255306 A1	11/2007	Conlon et al.
7,449,000 B2	11/2008	Adams et al.	2008/0214955 A1	9/2008	Speeg et al.
7,465,278 B2	12/2008	Cicenas et al.	2008/0228103 A1	9/2008	Ritchie et al.
7,468,041 B2	12/2008	Rhodes et al.	2008/0243183 A1 *	10/2008	Miller et al. .... 606/228
7,470,237 B2	12/2008	Beckman et al.	2009/0024056 A1	1/2009	Bacon et al.
7,479,117 B2	1/2009	Zadow	2009/0118641 A1	5/2009	Van Dam et al.
7,481,775 B2	1/2009	Weikel, Jr. et al.	2009/0264794 A1	10/2009	Kodama
7,507,210 B2	3/2009	Hibner et al.	2010/0030104 A1	2/2010	Hardin et al.
D590,502 S *	4/2009	Geisser et al. .... D24/133	2010/0030108 A1	2/2010	Anderson et al.
7,585,282 B2	9/2009	Hancock	2010/0042014 A1	2/2010	Djordjevic et al.
7,608,048 B2	10/2009	Goldenberg	2010/0121218 A1	5/2010	Mugan et al.
7,611,475 B2	11/2009	Spero et al.	2010/0152611 A1	6/2010	Parihar et al.
D612,044 S *	3/2010	Scheibe ..... D24/130	2010/0280410 A1	11/2010	Moos et al.
D621,042 S *	8/2010	Ruf ..... D24/146	2010/0312141 A1	12/2010	Keast et al.
7,766,843 B2	8/2010	Voegele	2011/0021946 A1	1/2011	Heske et al.
D625,818 S *	10/2010	Khalil et al. .... D24/146	2011/0125054 A1	5/2011	Clements et al.
D628,293 S *	11/2010	Ruf ..... D24/146	2011/0152715 A1	6/2011	Delap et al.
7,828,747 B2	11/2010	Heske et al.	2011/0190660 A1	8/2011	Levy
7,837,630 B2	11/2010	Nicoson et al.	2012/0071787 A1	3/2012	Reuber et al.
7,914,464 B2	3/2011	Burdorff et al.	2012/0116248 A1	5/2012	McWeeney et al.
7,938,786 B2	5/2011	Ritchie et al.	2012/0130275 A1	5/2012	Chudzik et al.
7,988,642 B2	8/2011	Hardin et al.	2012/0179065 A1	7/2012	Ferree et al.
D650,860 S *	12/2011	Wu ..... D19/69	2012/0215130 A1	8/2012	Field et al.
8,088,080 B2	1/2012	Adams et al.	2012/0253230 A1	10/2012	Williams et al.
8,109,885 B2	2/2012	Heske et al.	2013/0023790 A1	1/2013	Schaeffer
			2013/0053725 A1	2/2013	Beck et al.
			2013/0060161 A1	3/2013	Bacon

\* cited by examiner

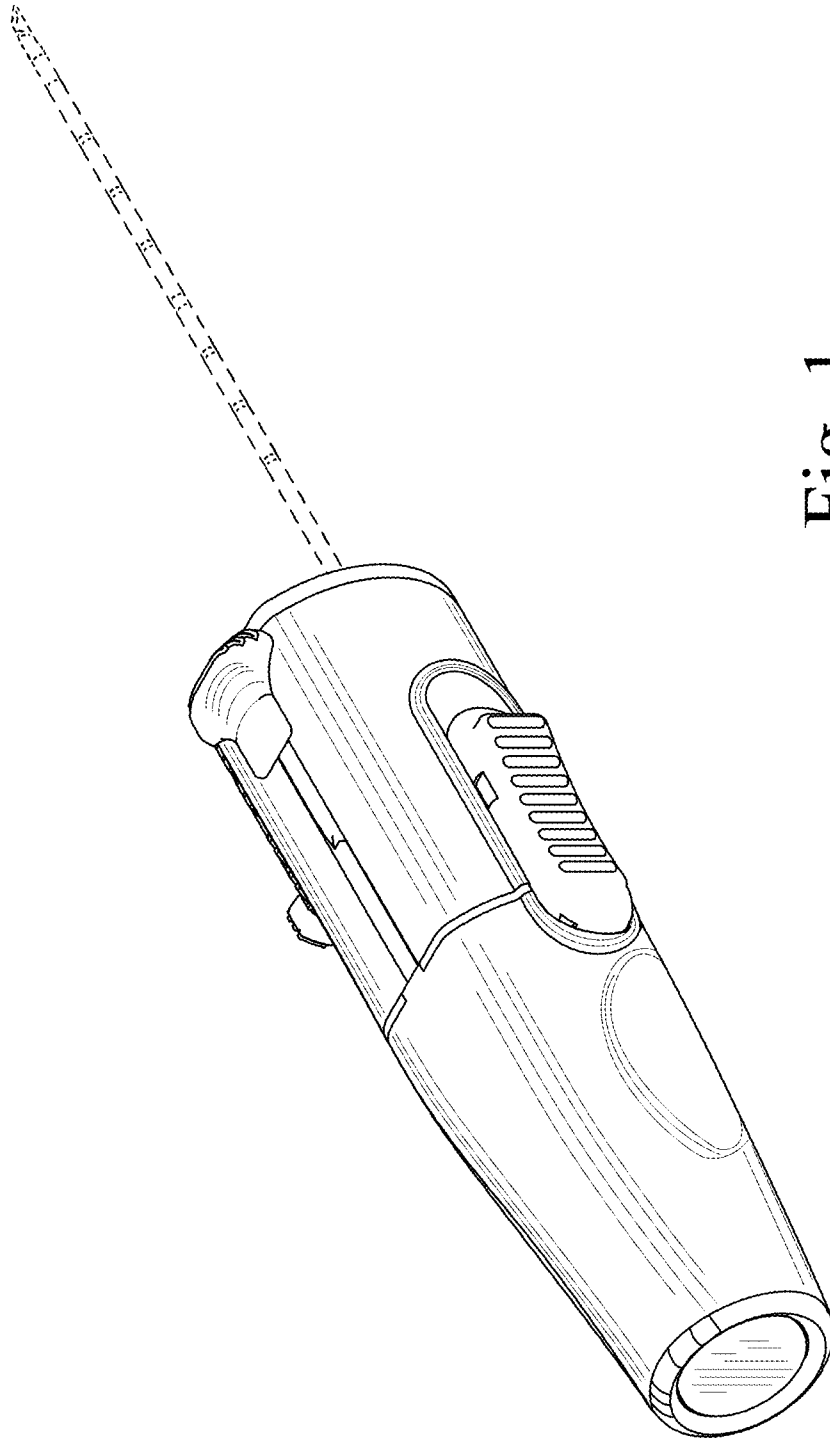


Fig. 1

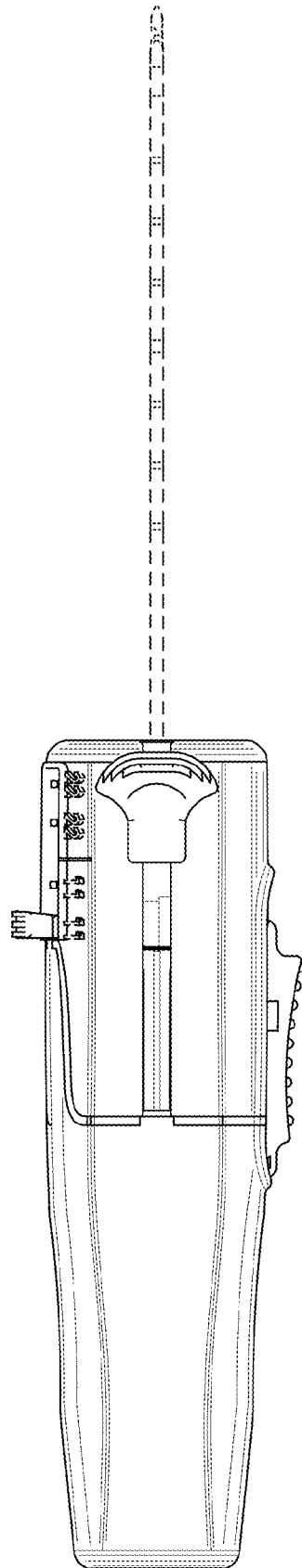


Fig. 2

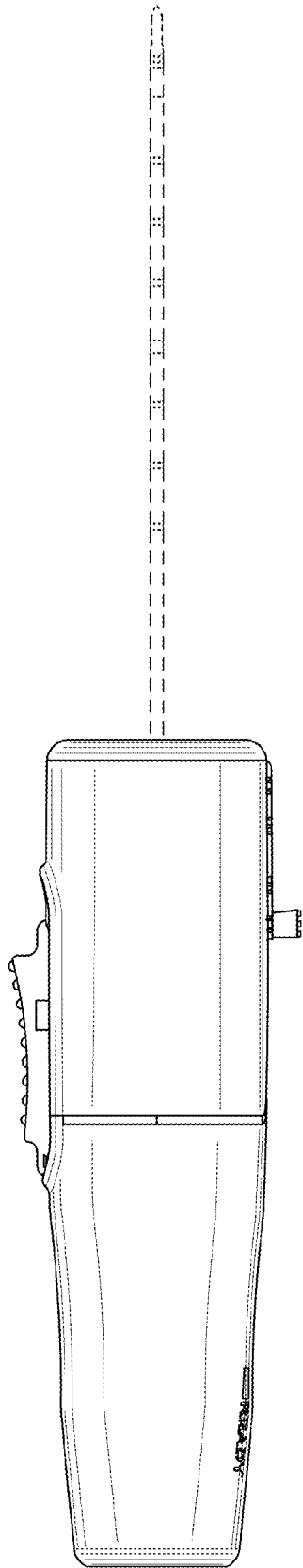


Fig. 3

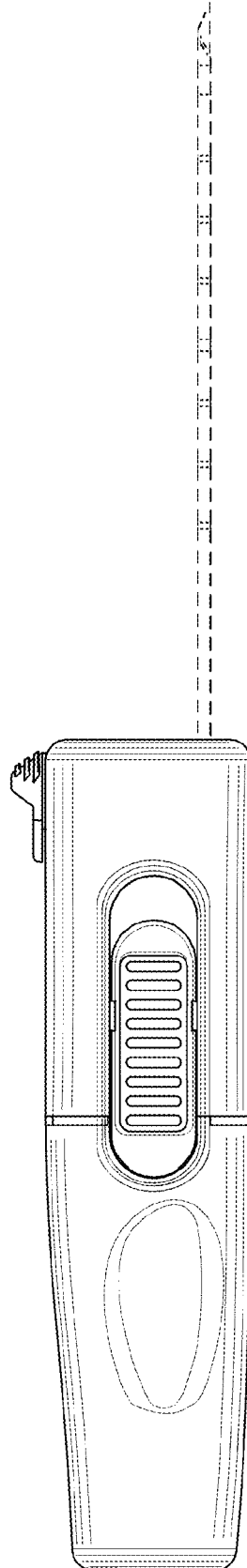


Fig. 4

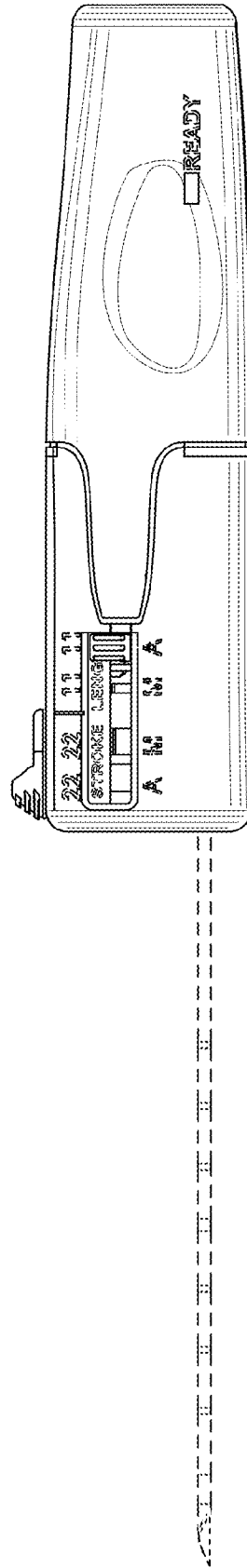


Fig. 5

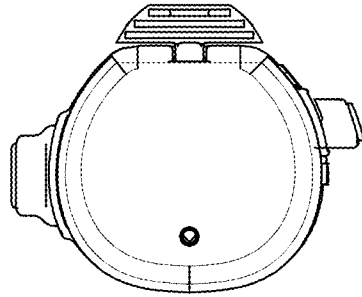


Fig. 6

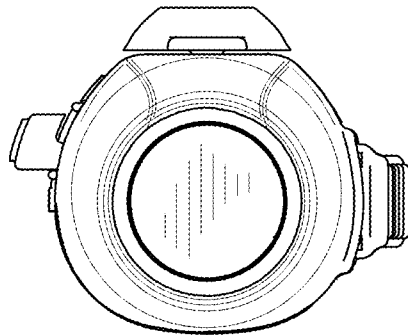


Fig. 7