



US00D686014S

(12) **United States Design Patent**
Yang

(10) **Patent No.:** **US D686,014 S**

(45) **Date of Patent:** **** Jul. 16, 2013**

(54) **FURNITURE LEG FRAME**

(75) Inventor: **Lei Yang**, City of Industry, CA (US)

(73) Assignee: **Furniture of America, Inc.**, City of Industry, CA (US)

(**) Term: **14 Years**

(21) Appl. No.: **29/373,991**

(22) Filed: **Jun. 20, 2011**

(51) **LOC (9) Cl.** **06-02**

(52) **U.S. Cl.**
USPC **D6/509**

(58) **Field of Classification Search**
USPC D6/429-431, 480-489, 491-492,
D6/495-496, 503-507, 509; 312/204, 257;
108/153.1, 156, 157.1, 61; 248/188, 188.1,
248/188.7, 188.8
See application file for complete search history.

D544,729 S *	6/2007	Everson	D6/480
D549,491 S *	8/2007	Brimacombe et al.	D6/480
D560,926 S *	2/2008	Draheim	D6/445
D564,790 S *	3/2008	Draheim	D6/446
D565,329 S *	4/2008	Domack et al.	D6/480
D566,422 S *	4/2008	Draheim	D6/445
D575,964 S *	9/2008	Liu	D6/432
D588,833 S *	3/2009	LeTourneau	D6/432
D591,976 S *	5/2009	Mayer et al.	D6/446
D604,060 S *	11/2009	Siomades	D6/451
D620,727 S *	8/2010	LeTourneau	D6/432
D623,509 S *	9/2010	Schloss	D8/403
D644,452 S *	9/2011	Naples et al.	D6/449
D649,379 S *	11/2011	Townsend	D6/480
D649,383 S *	11/2011	Killian et al.	D6/495
D660,616 S *	5/2012	Kitagawara	D6/480
D667,651 S *	9/2012	Asner	D6/430
D668,478 S *	10/2012	Shokouhi	D6/488
D675,043 S *	1/2013	Korb	D6/708

* cited by examiner

Primary Examiner — Kelley Donnelly

(74) *Attorney, Agent, or Firm* — Raymond Y. Chan; David and Raymond Patent Firm

(56) **References Cited**

U.S. PATENT DOCUMENTS

D95,018 S *	4/1935	Carlson	D6/397
D339,938 S *	10/1993	Fisher	D6/492
D346,515 S *	5/1994	Fisher	D6/503
D364,294 S *	11/1995	Brightbill et al.	D6/492
D421,538 S *	3/2000	Zaidman	D6/495
D434,930 S *	12/2000	Zaidman	D6/491
D444,648 S *	7/2001	Draheim et al.	D6/442
D444,963 S *	7/2001	Draheim et al.	D6/446
D453,083 S *	1/2002	Hokanson	D6/484
D468,556 S *	1/2003	Berry et al.	D6/441
D468,557 S *	1/2003	Clark et al.	D6/441
D468,931 S *	1/2003	Clark et al.	D6/441
D500,929 S *	1/2005	Walker	D6/446
D503,058 S *	3/2005	Loewenthal	D6/503
D538,406 S *	3/2007	Mayer	D23/286

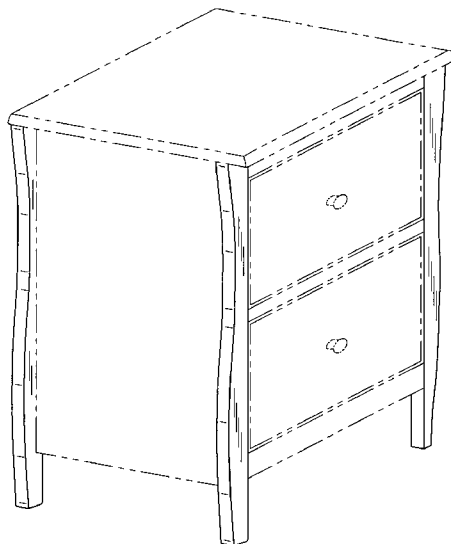
(57) **CLAIM**

The ornamental design for a furniture leg frame, as shown and described.

DESCRIPTION

FIG. 1 is a front perspective view of furniture leg frame showing my new design.
FIG. 2 is a front view thereof.
FIG. 3 is a side view thereof.
FIG. 4 is a top view thereof.
FIG. 5 is a bottom view thereof; and,
FIG. 6 is a bottom perspective view thereof.

1 Claim, 6 Drawing Sheets



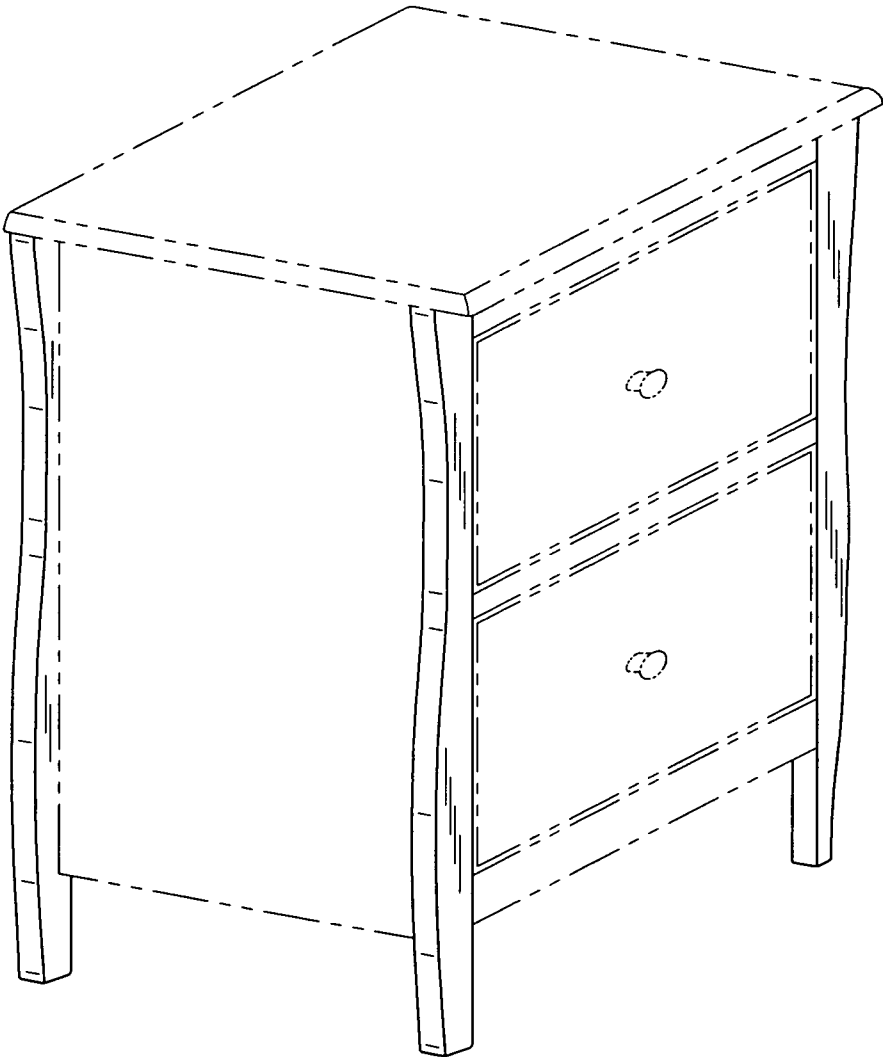


FIG. 1

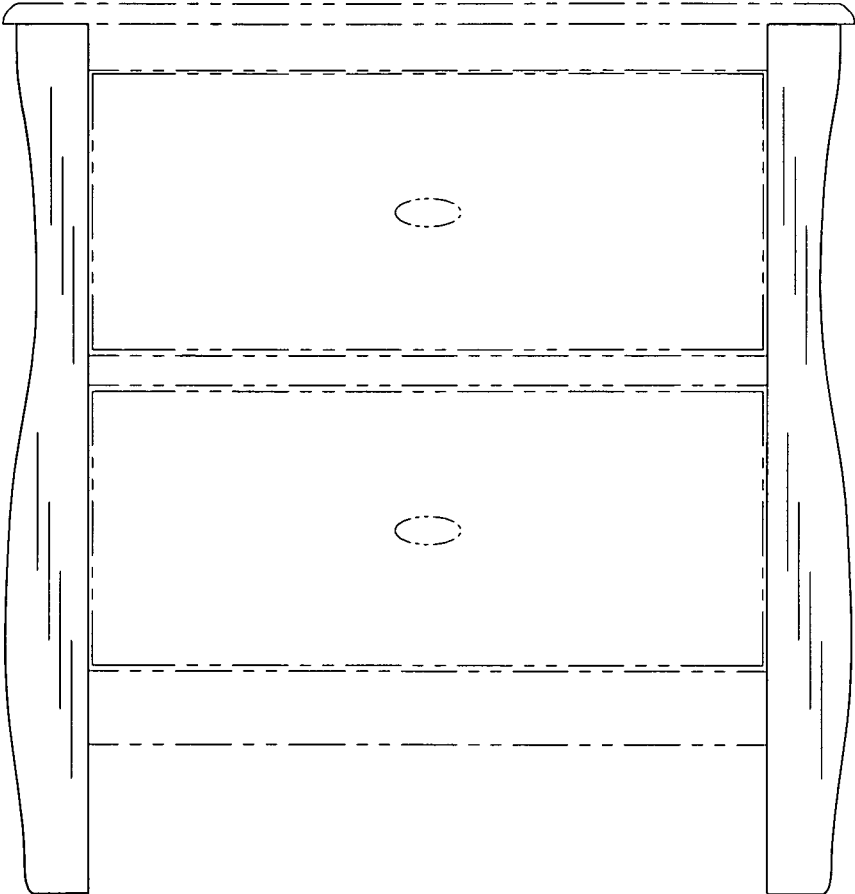


FIG.2

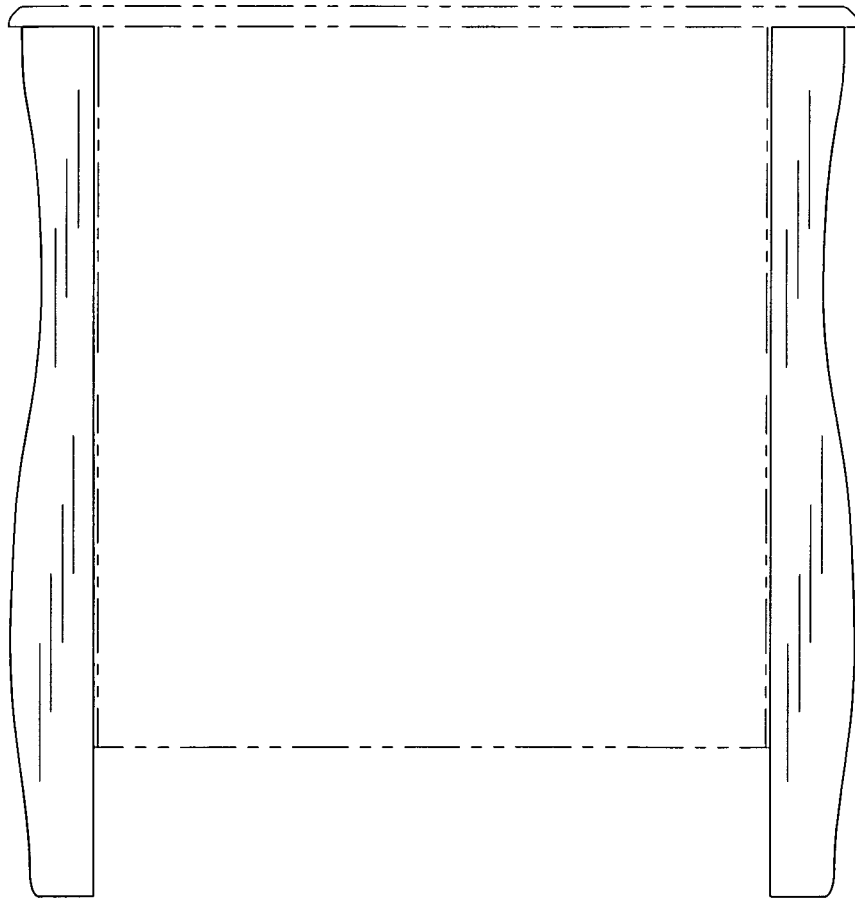


FIG.3

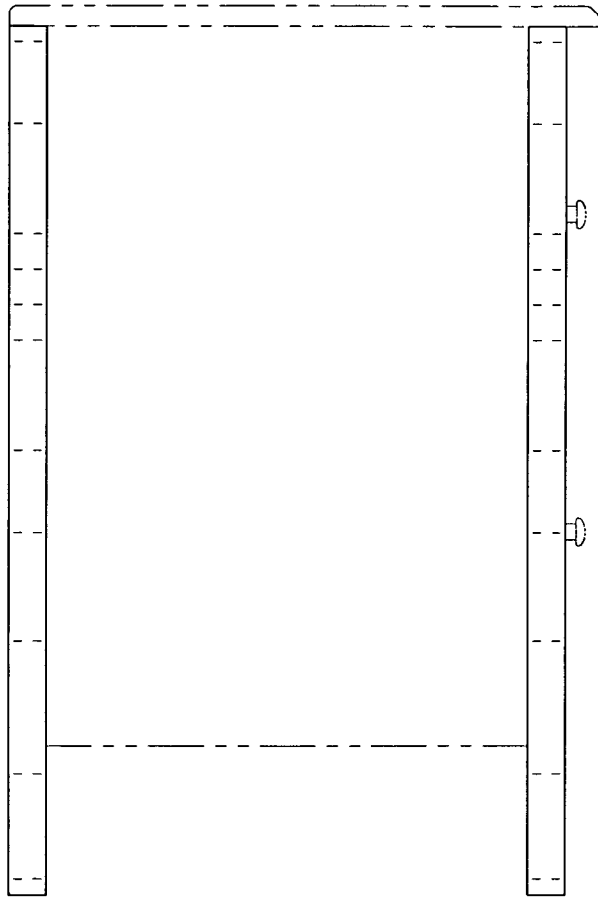


FIG.4

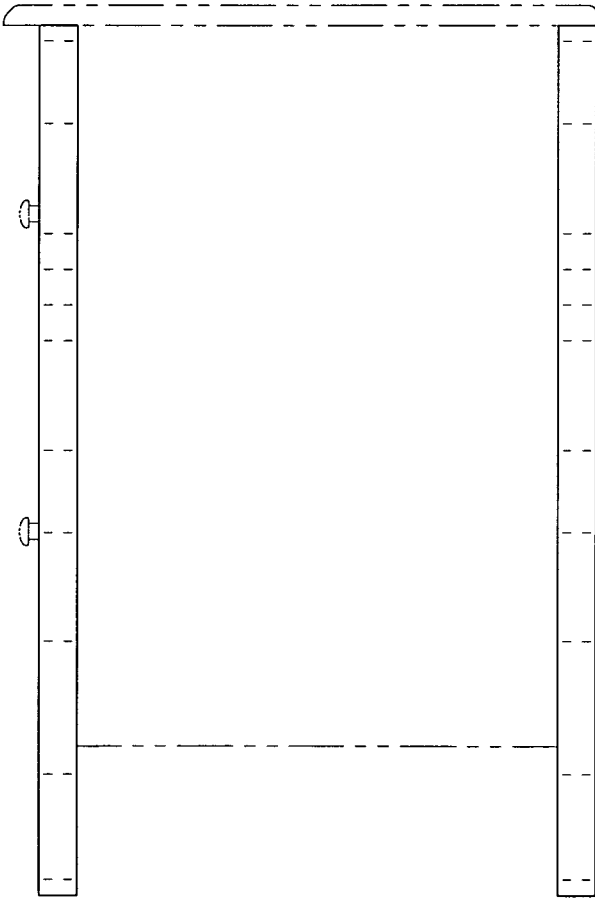


FIG.5

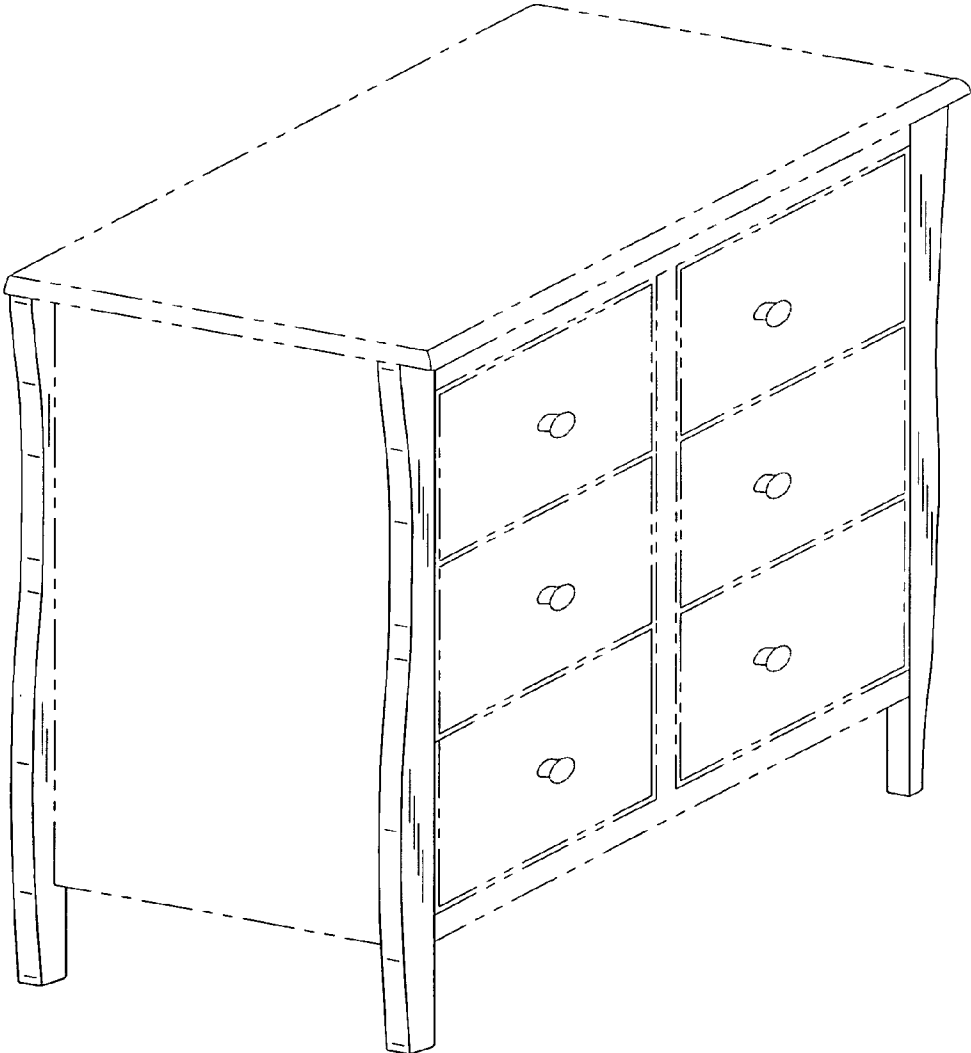


FIG.6