



US00D730528S

(12) **United States Design Patent**
Yang

(10) **Patent No.:** **US D730,528 S**

(45) **Date of Patent:** **** May 26, 2015**

(54) **PLATFORM OF MEDICAL CART**
(71) Applicant: **MELTEN CORPORATION**, Taipei (TW)
(72) Inventor: **Chi-Wen Yang**, Taichung (TW)
(73) Assignee: **MELTEN CORPORATION**, Taipei (TW)
(**) Term: **14 Years**

(21) Appl. No.: **29/504,813**

(22) Filed: **Oct. 9, 2014**

(30) **Foreign Application Priority Data**

Aug. 14, 2014 (TW) 103304807

(51) **LOC (10) CI.** **24-00**

(52) **U.S. CI.**
USPC **D24/185**

(58) **Field of Classification Search**
USPC D24/185, 164, 204, 158, 111, 172, 213;
D34/14, 23; 280/47.35; D13/163
See application file for complete search history.

(56) **References Cited**

U.S. PATENT DOCUMENTS

D434,142 S * 11/2000 Cheney et al. D24/111
D446,854 S * 8/2001 Cheney et al. D24/111
D467,001 S * 12/2002 Buczek et al. D24/172
D532,953 S * 11/2006 Lauer et al. D34/23
D550,362 S * 9/2007 Olivera et al. D24/185
D567,381 S * 4/2008 Olivera et al. D24/185
D568,258 S * 5/2008 Adam D13/163
D588,272 S * 3/2009 Meiser D24/185
D615,208 S * 5/2010 Keffeler et al. D24/185

D620,121 S * 7/2010 Moscovita et al. D24/185
D626,239 S * 10/2010 Lia et al. D24/185
D632,798 S * 2/2011 Tran D24/213
D637,782 S * 5/2011 Steffens D34/14
D650,084 S * 12/2011 Tran D24/204
D652,931 S * 1/2012 Petteway D24/164
D652,932 S * 1/2012 Petteway D24/164
8,210,548 B1 * 7/2012 Agyemang 280/47.35
D696,783 S * 12/2013 Chung et al. D24/185
D702,842 S * 4/2014 Hyde et al. D24/185
D709,202 S * 7/2014 Lamoureux D24/185
D720,854 S * 1/2015 Kim D24/158
2004/0262867 A1 * 12/2004 Arceta et al. 280/47.35

* cited by examiner

Primary Examiner — Ian Simmons

Assistant Examiner — Rhea Shields

(74) *Attorney, Agent, or Firm* — WPAT, PC; Justin King

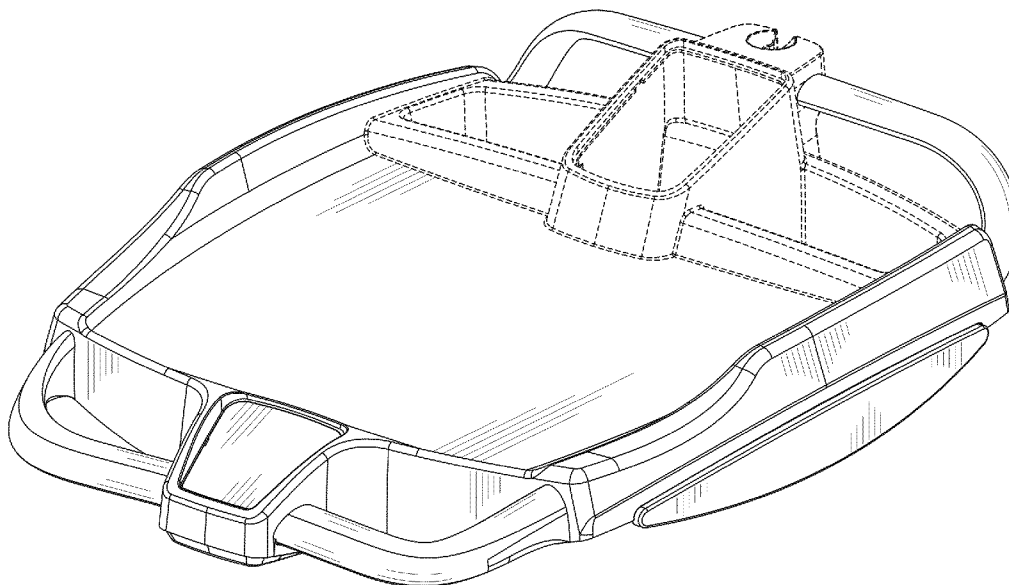
(57) **CLAIM**

The ornamental design for a platform of medical cart, as shown and described.

DESCRIPTION

FIG. 1 is an upper perspective view of a platform of medical cart showing my new design;
FIG. 2 is a front elevational view thereof;
FIG. 3 is a rear elevational view thereof;
FIG. 4 is a left side elevational view thereof;
FIG. 5 is a right side elevational view thereof;
FIG. 6 is a top plan view thereof; and,
FIG. 7 is an upper perspective view showing an exemplified use of my new design on a medical cart.
The bottom plan view of the platform of medical cart is omitted from the drawings since it is invisible while being used. In the drawings, the broken lines depict unclaimed subject matter only and form no part of the claimed design.

1 Claim, 7 Drawing Sheets



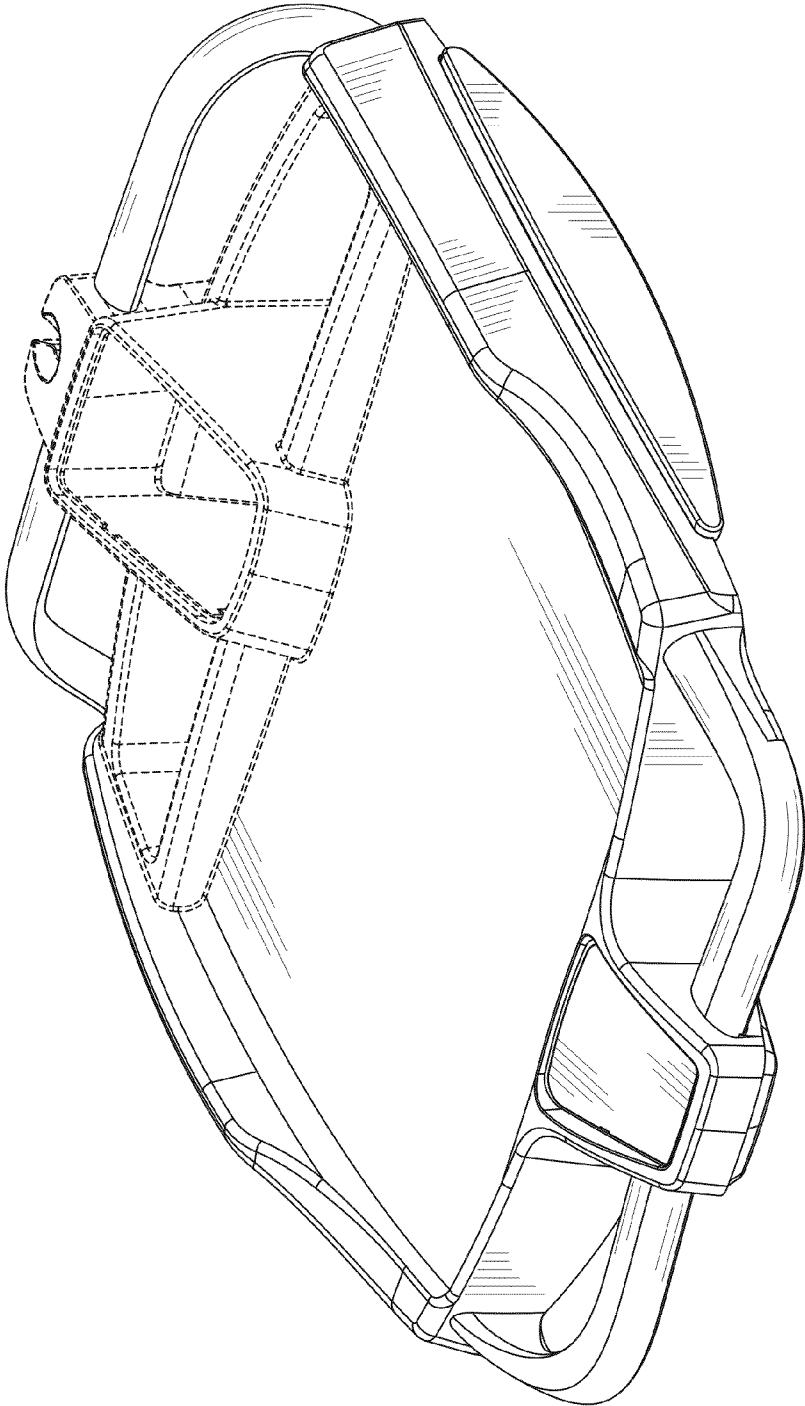


FIG. 1

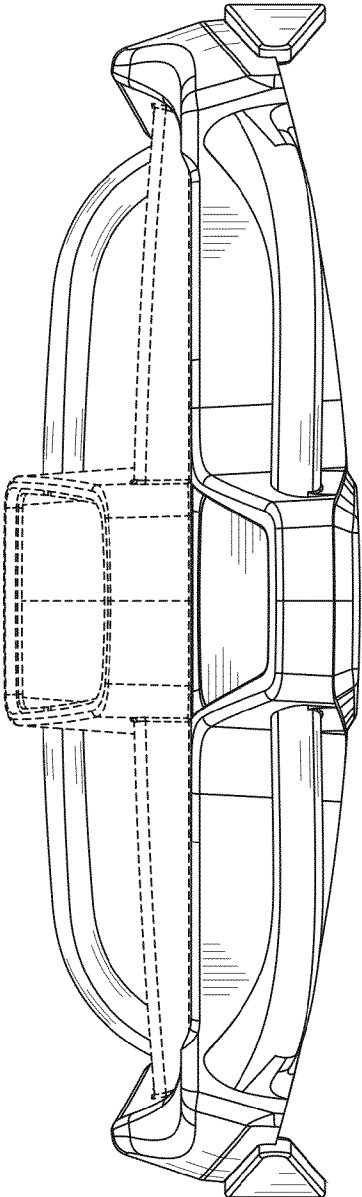


FIG.2

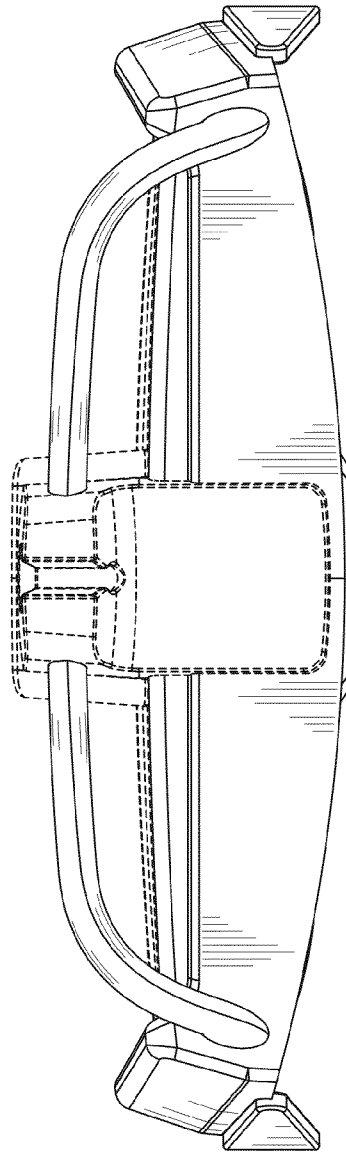


FIG.3

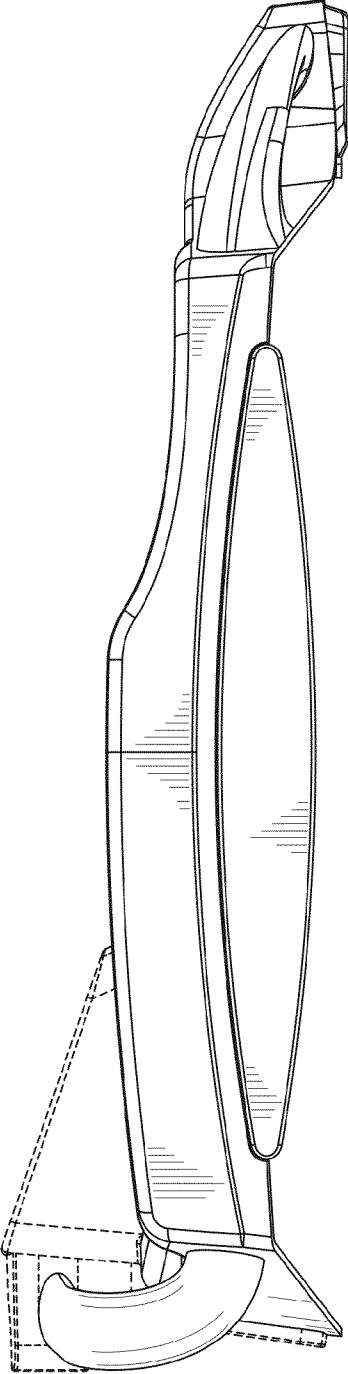


FIG.4

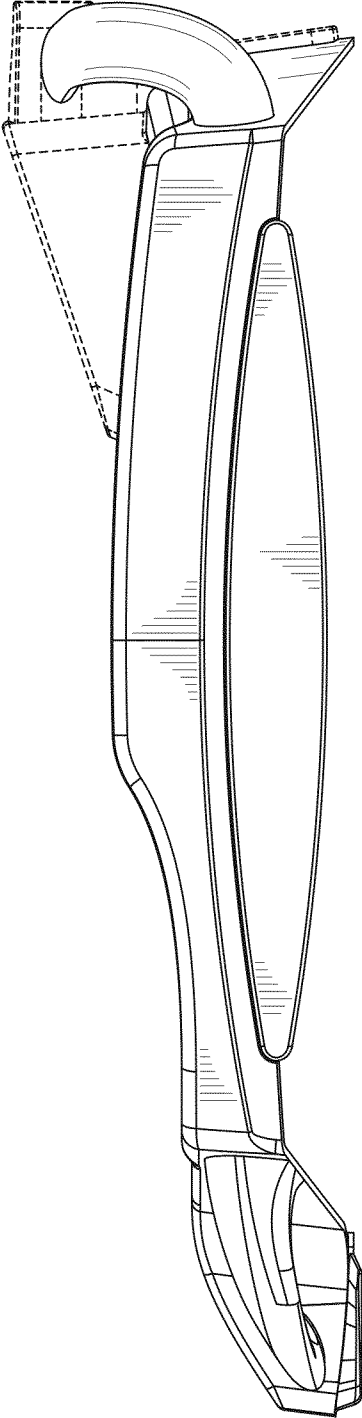


FIG.5

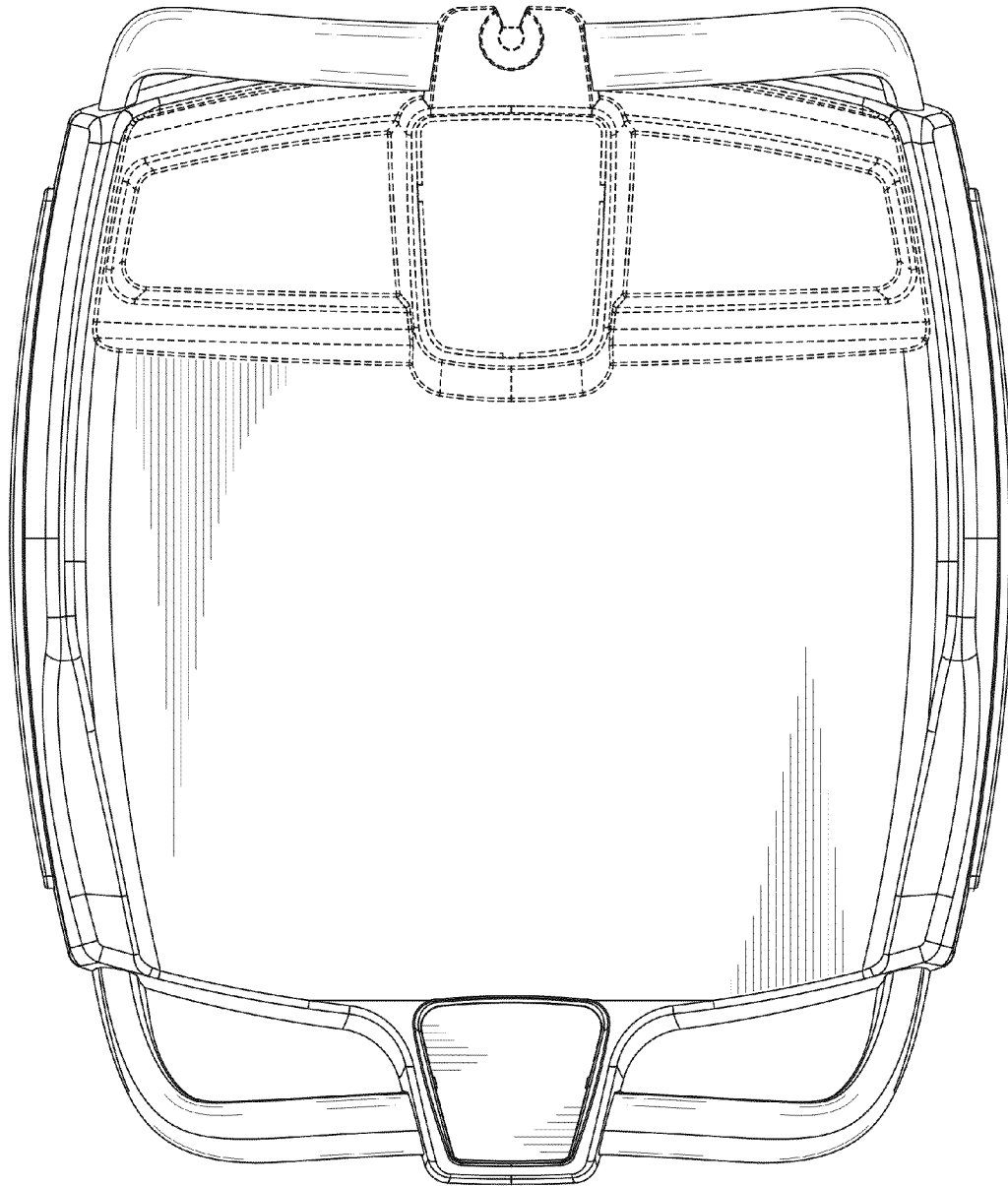


FIG.6

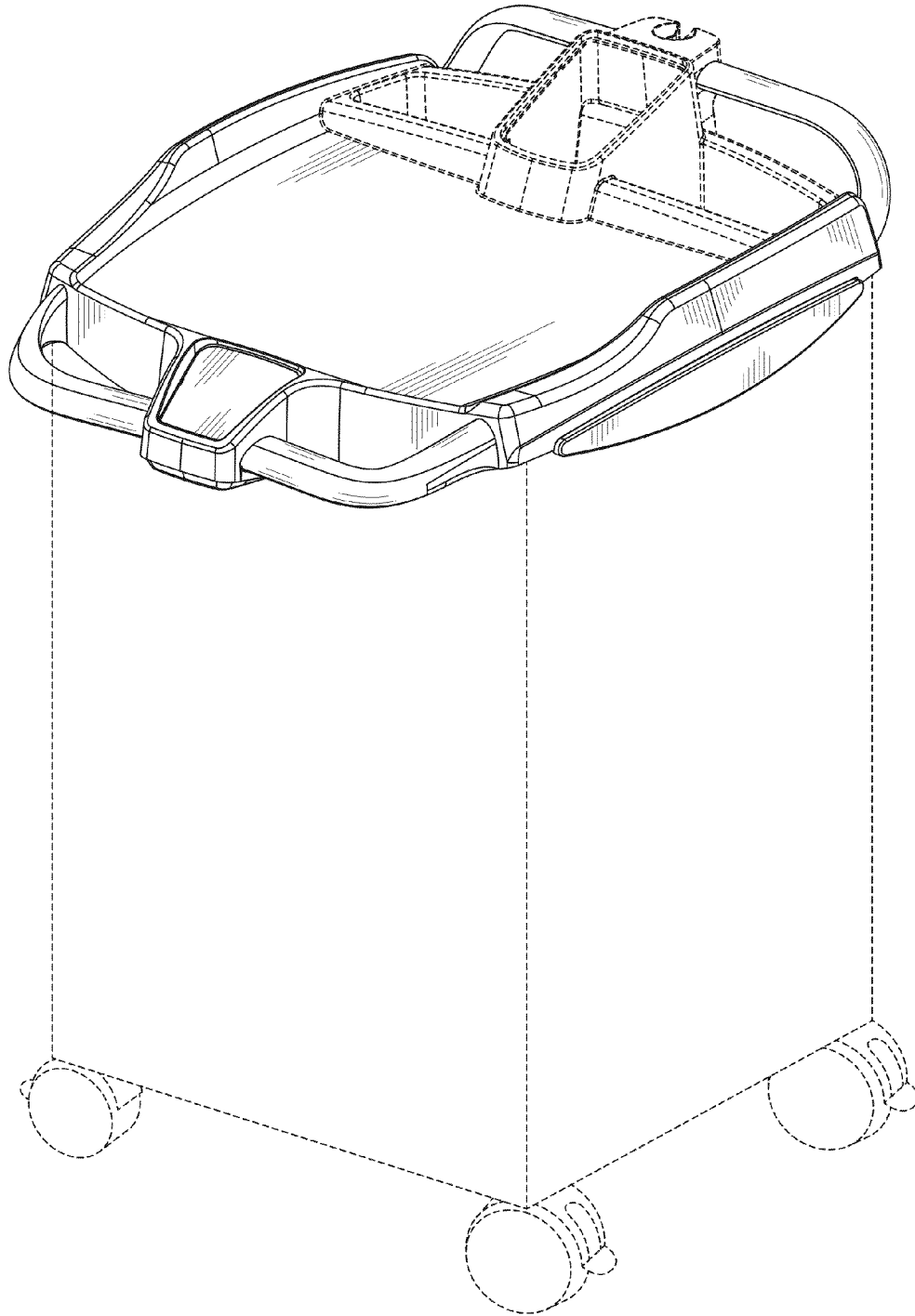


FIG.7