



US00D780885S

(12) **United States Design Patent**
Crawford et al.

(10) **Patent No.:** **US D780,885 S**
(45) **Date of Patent:** **** Mar. 7, 2017**

- (54) **LARGE WATER PURIFICATION CABINET**
- (71) Applicant: **Ultra Pure Systems, LLC**, Gilbert, AZ (US)
- (72) Inventors: **Erik Crawford**, Gilbert, AZ (US);
Andy Sargent, Gilbert, AZ (US)
- (73) Assignee: **Ultra Pure Systems, LLC**, Gilbert, AZ (US)
- (**) Term: **15 Years**
- (21) Appl. No.: **29/554,560**

D324,138	S	*	2/1992	Labonte	D23/202
D397,764	S	*	9/1998	Strand	D23/207
6,238,564	B1	*	5/2001	Tanaka	B03D 1/002
						210/608
D452,392	S	*	12/2001	Meder	D6/661
6,516,711	B1	*	2/2003	Fernandez Paez	A47J 36/38
						126/299 D
D596,702	S	*	7/2009	Chen	D23/207
D614,727	S	*	4/2010	Therkelsen	D23/207
D651,279	S	*	12/2011	Wilson	D23/207
D654,556	S	*	2/2012	McIntosh	D23/202
D700,272	S	*	2/2014	McIntosh	D23/202
D720,038	S	*	12/2014	Brown	D23/202
D730,167	S	*	5/2015	Burgess	D9/414
D737,872	S	*	9/2015	Johansson	D15/123
2004/0060860	A1	*	4/2004	Peterson	C02F 9/005
						210/435

- (22) Filed: **Feb. 12, 2016**
 - (51) **LOC (10) Cl.** **23-01**
 - (52) **U.S. Cl.**
USPC **D23/207**
 - (58) **Field of Classification Search**
USPC D23/202, 207, 210, 221, 223, 214, 209
CPC A62C 37/12; A62C 35/68; B65G 64/04;
B65G 1/00; B65D 85/00; B65D 1/00; B65D 88/54; B05B 7/2416; B05B 7/2483; C02F 1/003; C02F 1/283; C02F 9/005; A01K 63/045
- See application file for complete search history.

(Continued)

Primary Examiner — Robin V Webster
Assistant Examiner — Rachel Voorhies
(74) *Attorney, Agent, or Firm* — Wayne Carroll; Inspired Idea Solutions Law Firm

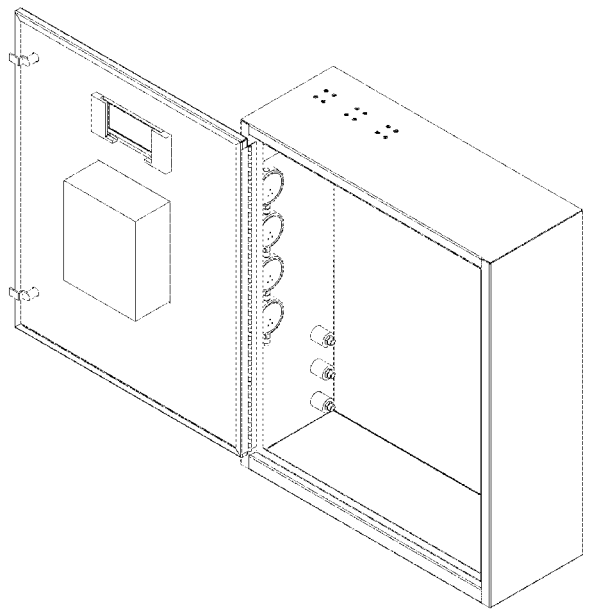
(57) **CLAIM**
The ornamental design for a large water purification cabinet, as shown.

- (56) **References Cited**
U.S. PATENT DOCUMENTS
- | | | | | | | |
|-----------|---|---|--------|---------|-------|------------|
| D30,745 | S | * | 5/1899 | Taussig | | D23/202 |
| D207,202 | S | * | 3/1967 | Dole | | D23/207 |
| D248,869 | S | * | 8/1978 | Risher | | D23/364 |
| D269,370 | S | * | 6/1983 | Groff | | D23/207 |
| 4,857,184 | A | * | 8/1989 | DeLoach | | B01D 61/08 |
| | | | | | | 210/128 |
| D306,338 | S | * | 2/1990 | Rempe | | D23/207 |

DESCRIPTION

FIG. 1 is a top front perspective view of a large water purification cabinet with an open door;
FIG. 2 is a front elevation view with the door open;
FIG. 3 is a rear side elevation view with the door open;
FIG. 4 is a left elevation view with the door open;
FIG. 5 is a right side elevation view with the door open;
FIG. 6 is a top plan view with the door open; and,
FIG. 7 is a bottom plan view with the door open.

1 Claim, 5 Drawing Sheets



(56)

References Cited

U.S. PATENT DOCUMENTS

2010/0293907	A1*	11/2010	Zheng	A61L 9/16 55/337
2014/0014579	A1*	1/2014	Haruna	C02F 9/00 210/636
2014/0144822	A1*	5/2014	Senninger	C02F 1/003 210/97
2016/0030858	A1*	2/2016	Giacomini	B01D 53/265 62/291

* cited by examiner

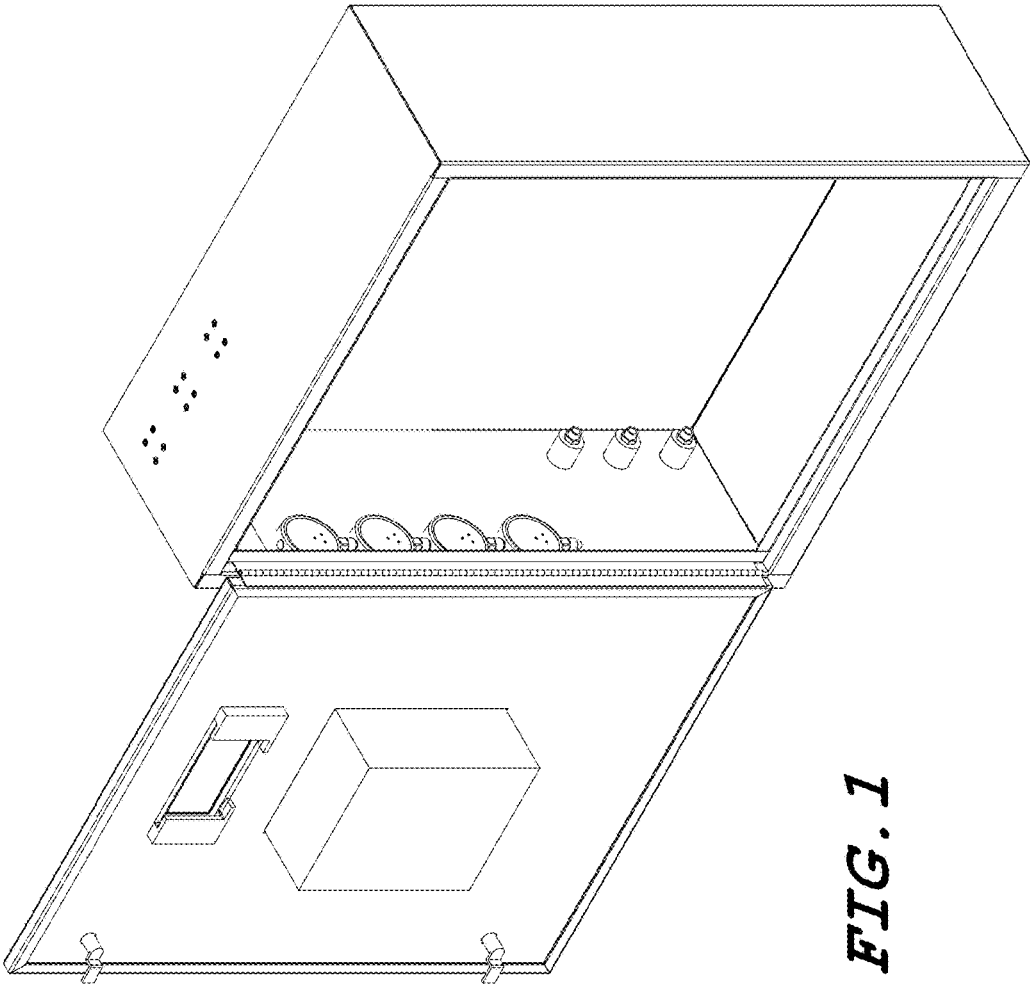


FIG. 1

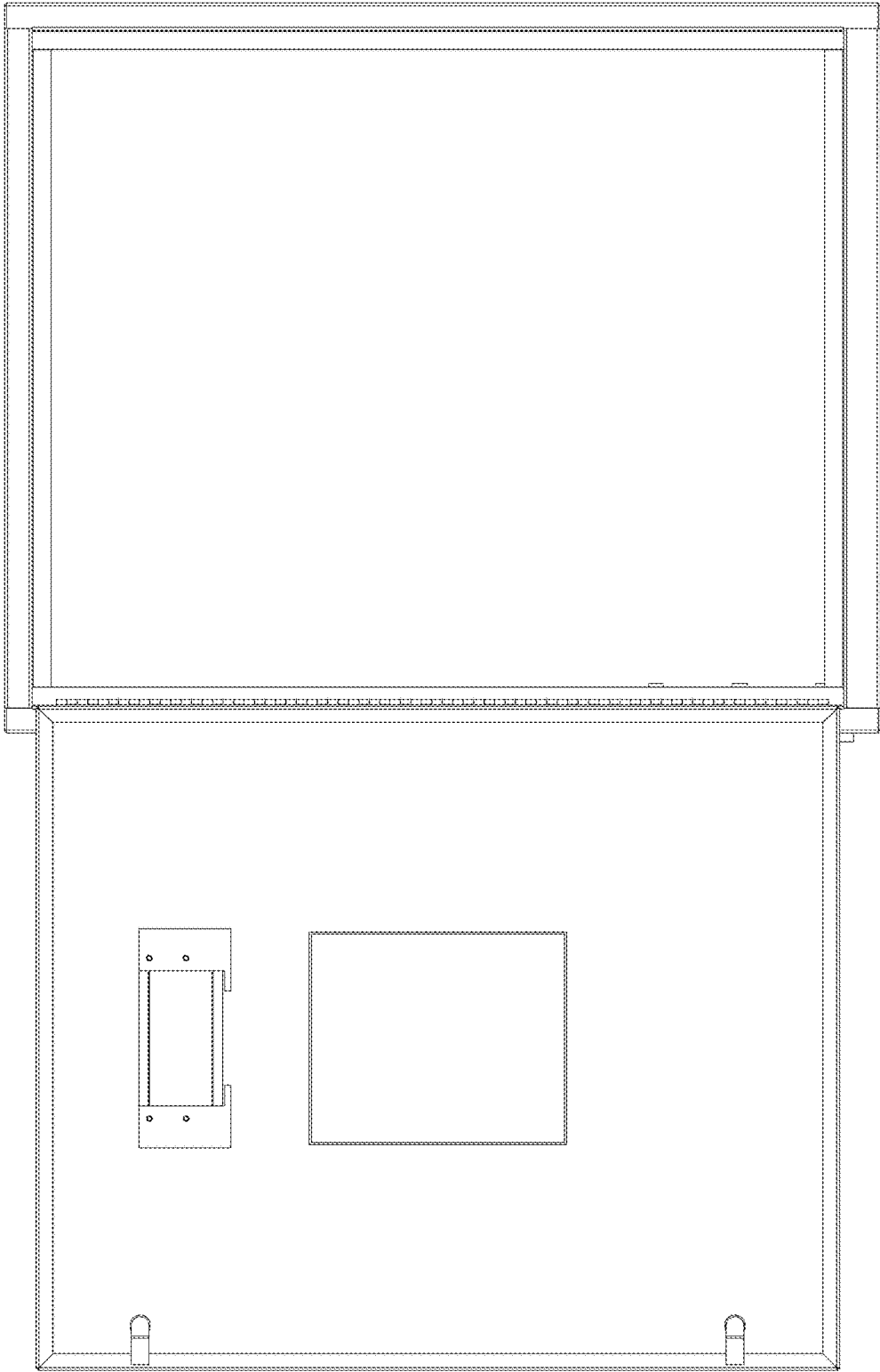


FIG. 2

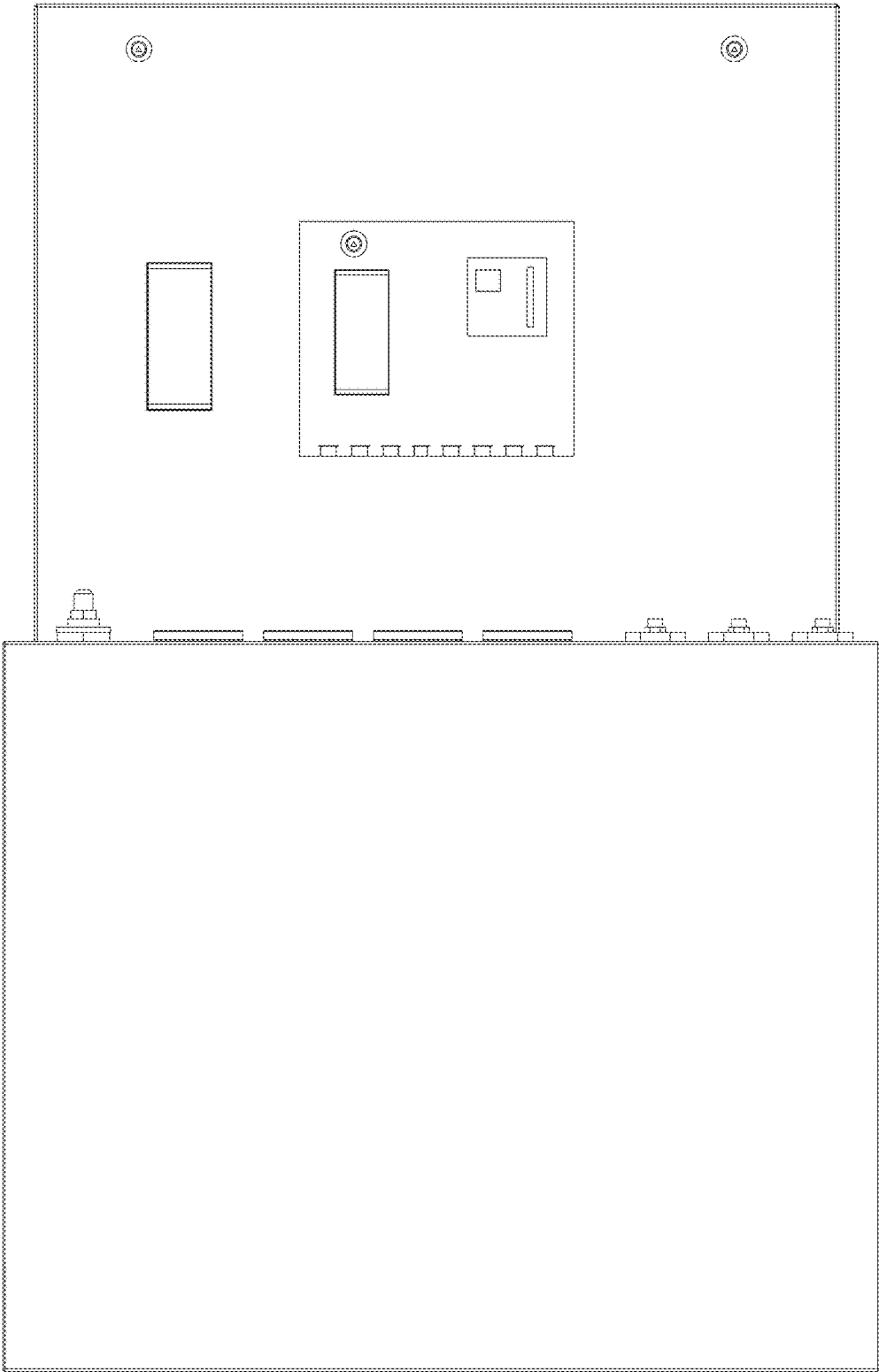


FIG. 3

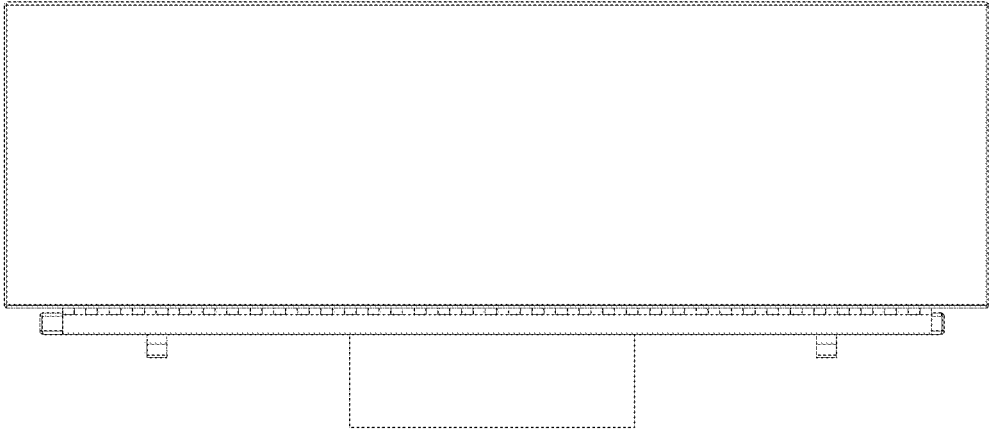


FIG. 5

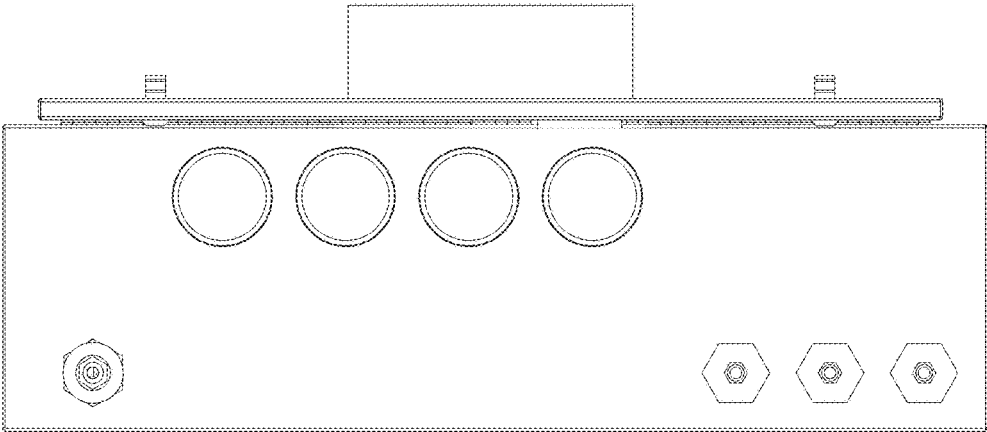


FIG. 4

