



US00D656409S

(12) **United States Design Patent**
Tadmor

(10) **Patent No.:** **US D656,409 S**

(45) **Date of Patent:** **** Mar. 27, 2012**

(54) **ATOMIZER BOTTLE**

(75) Inventor: **Taylor Tadmor**, Manhasset Hills, NY (US)

(73) Assignee: **Tekweld Solutions Inc.**, Farmingdale, NY (US)

(**) Term: **14 Years**

(21) Appl. No.: **29/386,934**

(22) Filed: **Mar. 7, 2011**

(51) **LOC (9) Cl.** **09-01**

(52) **U.S. Cl.** **D9/687**

(58) **Field of Classification Search** D9/682-694, D9/516, 517, 521, 529, 549, 551, 564, 571, D9/572, 575, 414, 434-436; D28/5, 76, D28/77, 82, 91.1; 222/129, 135, 153.01, 222/153.03, 153.04, 153.09, 153.11-153.14, 222/182, 631, 635, 209, 211-213, 215, 321.7-321.9, 222/372, 373, 378, 379, 383.1, 384-386, 222/398, 400.7, 400.8, 401, 402.1-402.25; 215/379-384; 220/669-675

See application file for complete search history.

(56) **References Cited**

U.S. PATENT DOCUMENTS

D271,244 S *	11/1983	Martinez	D28/91.1
D278,370 S *	4/1985	Speitel	D28/91.1
D407,320 S *	3/1999	Costen et al.	D9/564
D449,978 S *	11/2001	Viellard	D9/687
D456,267 S *	4/2002	Borri	D9/521
D473,793 S *	4/2003	Paster	D9/521
D479,689 S *	9/2003	Altonen et al.	D9/516

D492,067 S *	6/2004	Garcia et al.	D28/91.1
D530,621 S *	10/2006	Rashid	D9/686
D547,189 S *	7/2007	Legros	D9/521
D617,649 S *	6/2010	Puglisi	D9/631

FOREIGN PATENT DOCUMENTS

CN	300841948	*	10/2008
EM	000407929-0003	*	11/2005
EM	000824172-0007	*	12/2007
EM	000407929-0006	*	3/2008
GB	2094713	*	8/2000
KR	300418370.0000	*	6/2006

* cited by examiner

Primary Examiner — Catherine Tuttle

(74) *Attorney, Agent, or Firm* — Jefferson IP Law, LLP; Raymond B. Persino

(57) **CLAIM**

The ornamental design for an atomizer bottle, as shown and described.

DESCRIPTION

FIG. 1 is a perspective view of an atomizer bottle, showing a new design;

FIG. 2 is a front elevational view thereof;

FIG. 3 is a rear elevational view thereof;

FIG. 4 is a left side elevational view thereof;

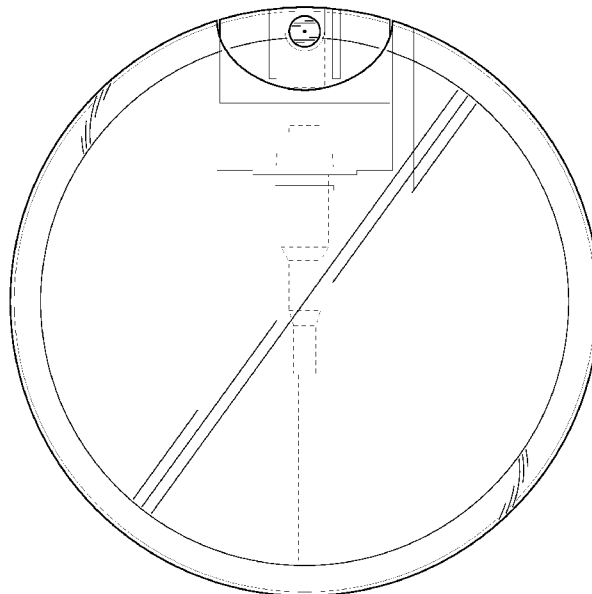
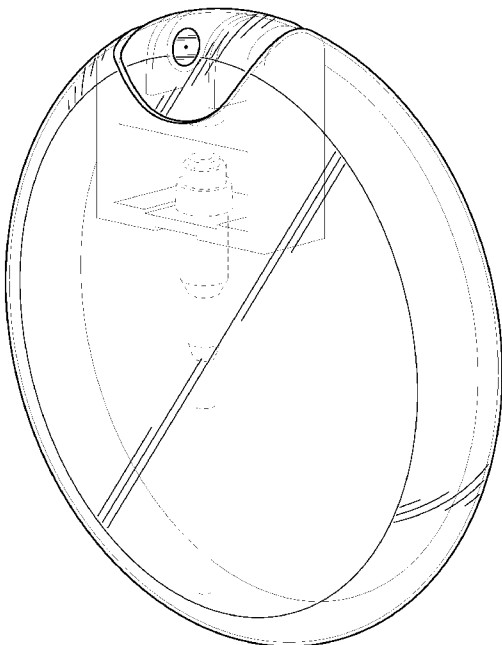
FIG. 5 is a right side elevational view thereof;

FIG. 6 is a top plan view thereof; and,

FIG. 7 is a bottom plan view thereof.

The broken lines shown in FIGS. 1-7 are included for the purpose of illustrating interior structure that forms no part of the claimed design.

1 Claim, 5 Drawing Sheets



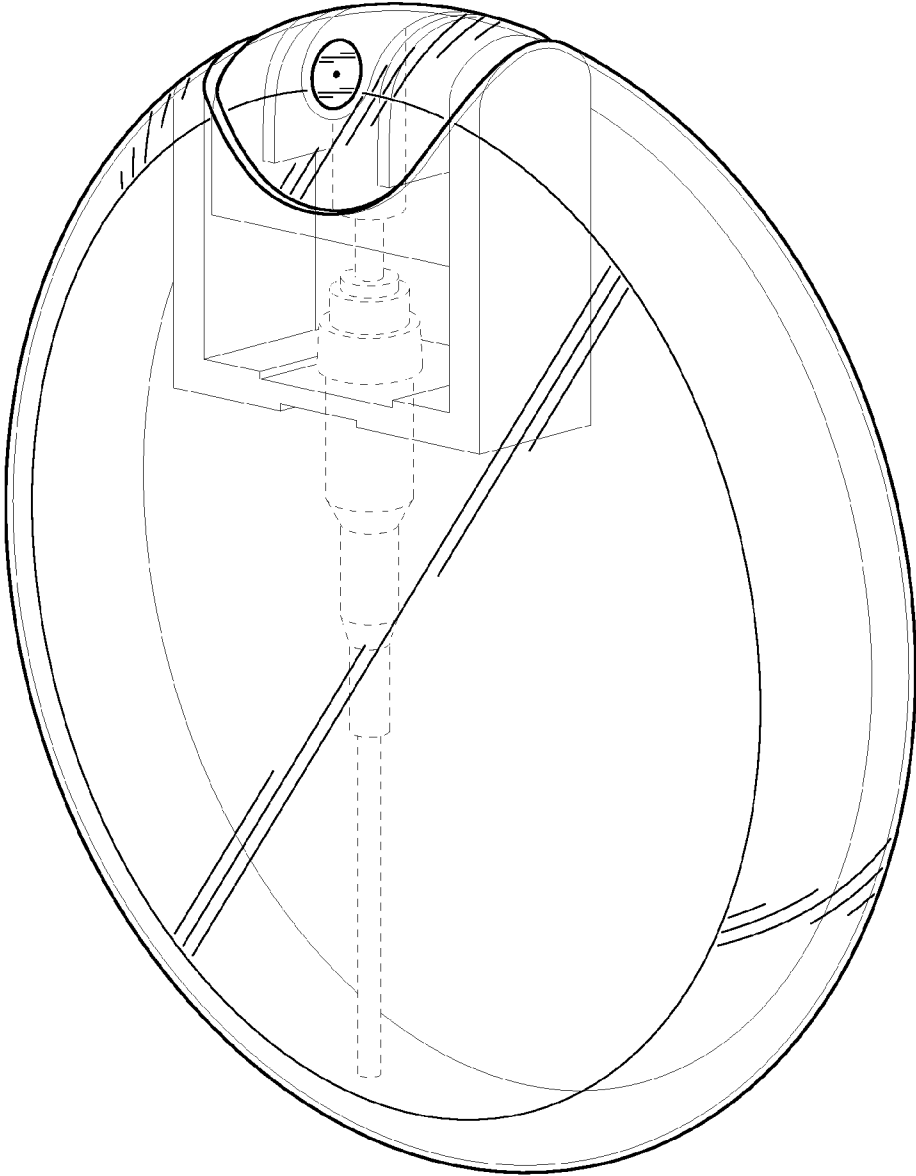


FIG. 1

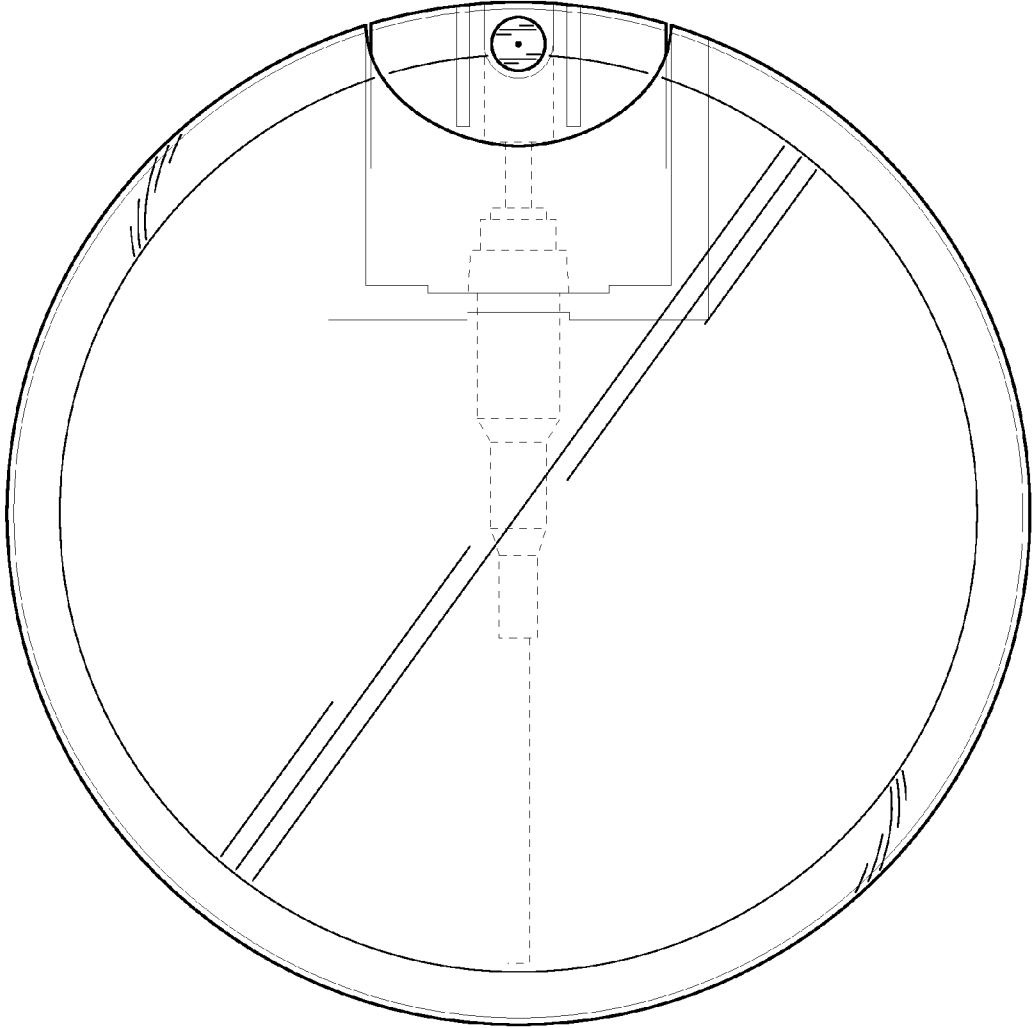


FIG. 2

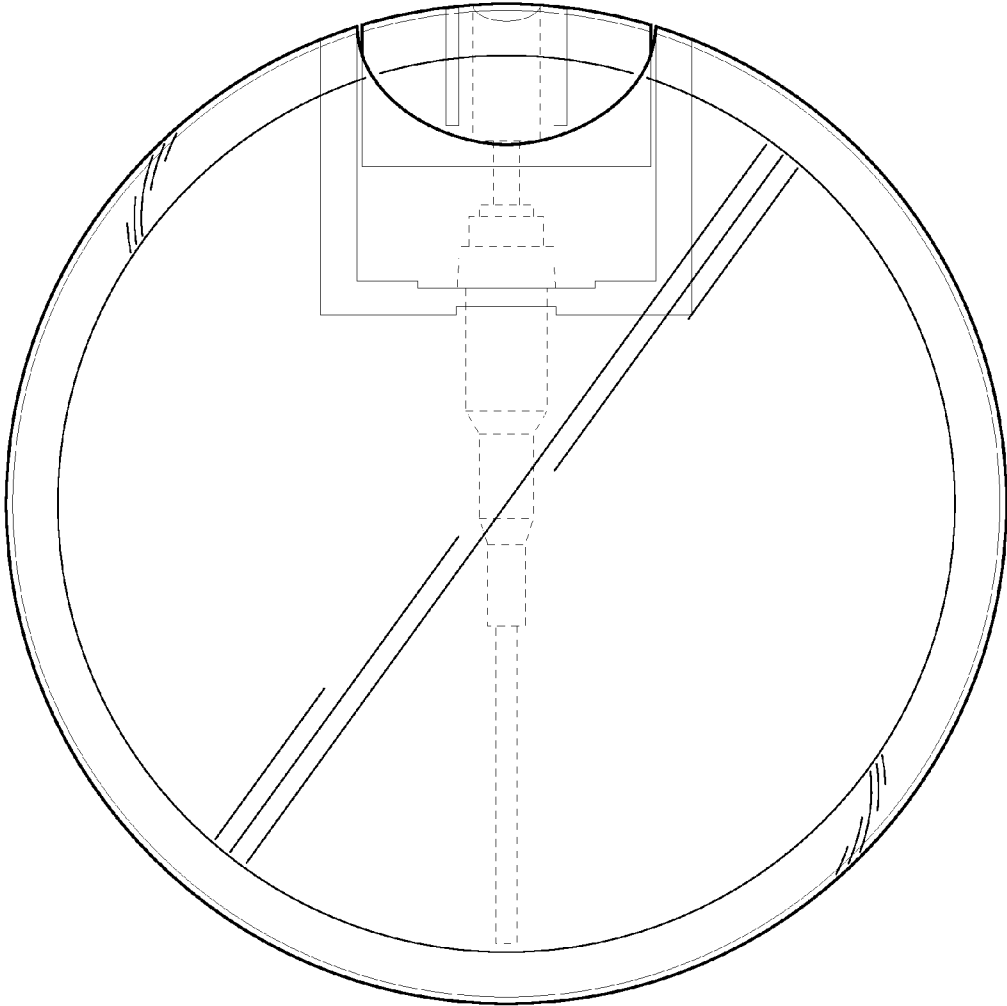


FIG. 3

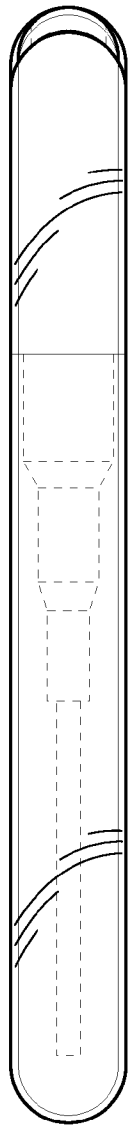


FIG. 4

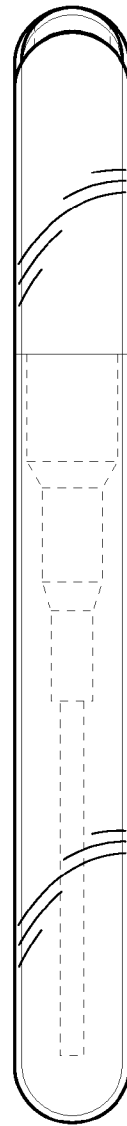


FIG. 5

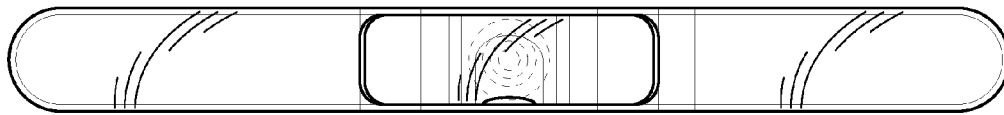


FIG. 6

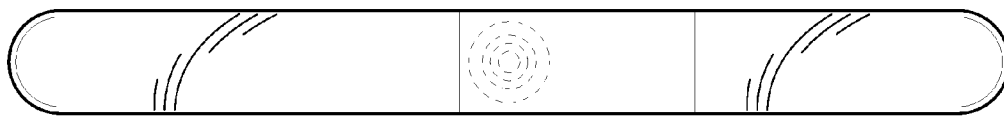


FIG. 7