



US00D540941S

(12) **United States Design Patent**
Kwok et al.

(10) **Patent No.:** **US D540,941 S**

(45) **Date of Patent:** **** Apr. 17, 2007**

(54) **ELBOW FOR MASK**

(75) Inventors: **Philip R. Kwok**, Chatswood (AU);
Andrew M. Price, Baulkham Hills
(AU); **Saad Nasr**, Brighton Le Sands
(AU); **Anthony Ging**, Summer Hill
(AU)

(73) Assignee: **ResMed Limited**, North Ryde (AU)

(**) Term: **14 Years**

(21) Appl. No.: **29/213,364**

(22) Filed: **Sep. 16, 2004**

Related U.S. Application Data

(60) Continuation of application No. 29/189,972, filed on Sep. 15, 2003, which is a division of application No. 29/166,190, filed on Aug. 9, 2002, now Pat. No. Des. 485,905.

(51) **LOC (8) Cl.** **29-02**

(52) **U.S. Cl.** **D24/110.1; D24/110.5;**
D24/129

(58) **Field of Classification Search** D24/164,
D24/129, 110.1, 110.5, 110.4; 128/207.13,
128/206.21, 205.25, 206.15, 205.24, 201.22,
128/202.27, 204.18

See application file for complete search history.

(56) **References Cited**

U.S. PATENT DOCUMENTS

1,192,186 A	7/1916	Greene
D247,982 S	5/1978	Huddy
4,167,185 A	9/1979	Lewis
4,414,973 A	11/1983	Matheson et al.
H397 H	1/1988	Stark

(Continued)

FOREIGN PATENT DOCUMENTS

EP	1258266	11/2002
FR	2618340	1/1989
FR	2735030	12/1996
GB	2264646	9/1993
GB	2379886	3/2003
WO	WO 87/01950	4/1987
WO	WO 98/04310	2/1998
WO	WO 01/32250	5/2001
WO	WO 01/62326	8/2001
WO	WO 02/11804	2/2002
WO	WO 02/096342	12/2002

OTHER PUBLICATIONS

U.S. Appl. No. 29/189,972, filed Sep. 2003, Moore et al.
U.S. Appl. No. 29/209,720, filed Mar. 2003, Guney et al.

Primary Examiner—Ian Simmons

(74) *Attorney, Agent, or Firm*—Nixon & Vanderhye P.C.

(57) **CLAIM**

The ornamental design of an elbow for mask, as shown and described.

DESCRIPTION

FIG. 1 is a perspective illustration of an elbow for a mask according to our design;

FIG. 2 is a reverse perspective view of the elbow shown in FIG. 1;

FIG. 3 is a top view thereof;

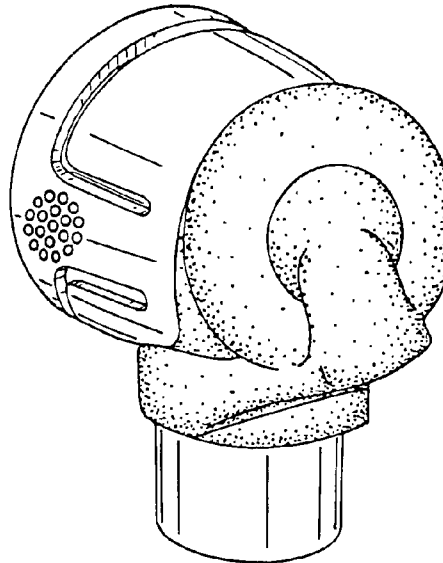
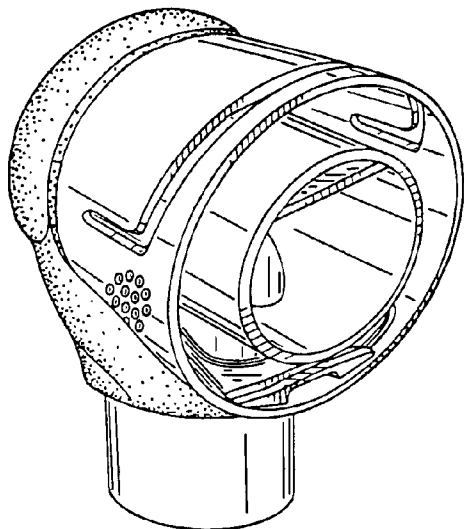
FIG. 4 is a bottom view thereof;

FIG. 5 is a right side view thereof; with the left side view thereof being a mirror image thereof;

FIG. 6 is a front view thereof; and,

FIG. 7 is a rear view thereof.

1 Claim, 4 Drawing Sheets



US D540,941 S

Page 2

U.S. PATENT DOCUMENTS

4,739,755 A	4/1988	White et al.	6,457,473 B1	10/2002	Brostrom et al.	
5,243,971 A	9/1993	Sullivan et al.	6,550,070 B2	4/2003	Wiegand	
D377,089 S	12/1996	Starr et al.	6,581,594 B1 *	6/2003	Drew et al.	128/204.18
D383,204 S	9/1997	Lomas	6,634,358 B2	10/2003	Kwok et al.	
5,724,965 A	3/1998	Handke et al.	D485,905 S	1/2004	Moore et al.	
5,937,851 A	8/1999	Serowski et al.	6,691,707 B1 *	2/2004	Gunaratnam et al. ..	128/206.21
D423,096 S	4/2000	Kwok	D496,098 S	9/2004	Guney et al.	
6,044,844 A	4/2000	Kwok et al.	6,851,425 B2 *	2/2005	Jaffre et al.	128/204.18
6,112,746 A	9/2000	Kwok et al.	2001/0020474 A1	9/2001	Hecker et al.	
6,119,694 A	9/2000	Correa et al.	2002/0056457 A1	5/2002	Demers et al.	
6,357,441 B1	3/2002	Kwok et al.	2002/0108613 A1	8/2002	Gunaratnam et al.	
6,412,487 B1	7/2002	Gunaratnam et al.	2002/0144684 A1	10/2002	Moone	
6,422,238 B1	7/2002	Lithgow	2003/0196657 A1 *	10/2003	Ging et al.	128/201.22
D464,426 S	10/2002	Palkon et al.	2004/0094157 A1 *	5/2004	Dantanarayana	
D464,428 S	10/2002	Barnett et al.			et al.	128/206.21

* cited by examiner

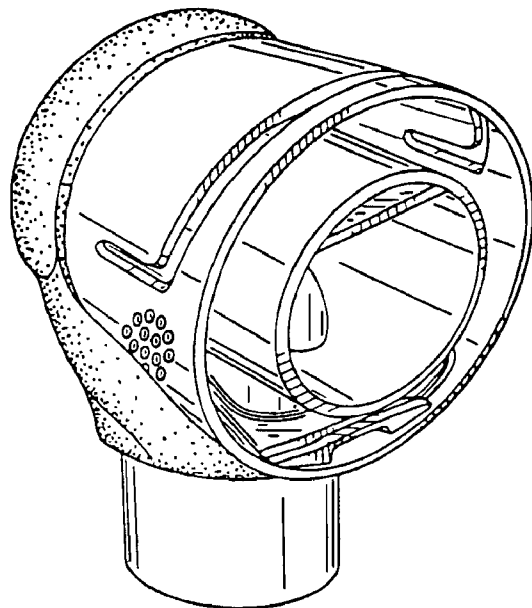


Fig. 1

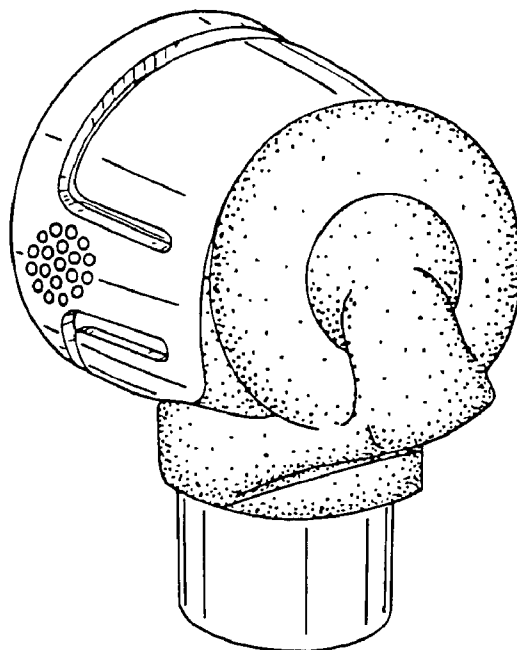


Fig. 2

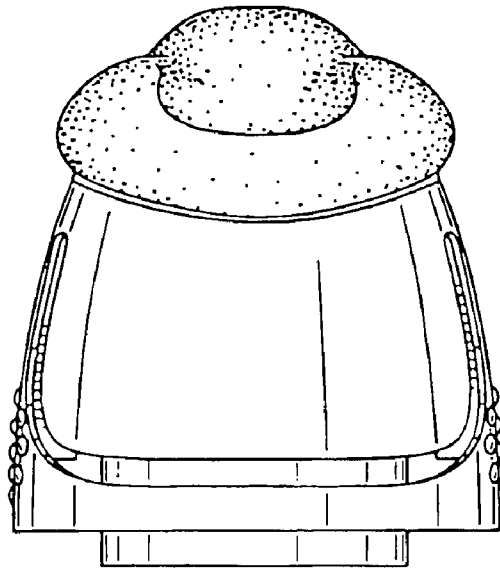


Fig. 3

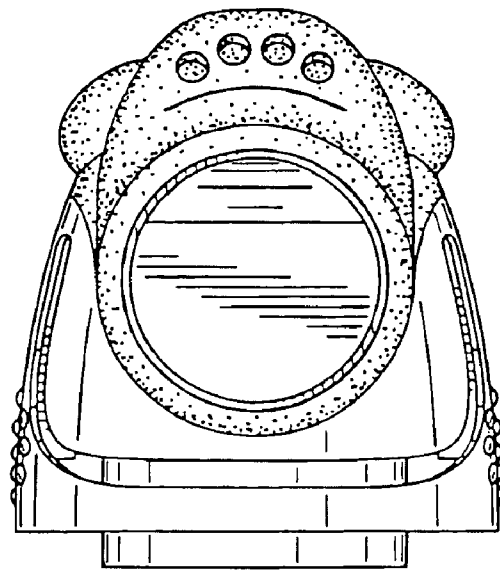


Fig. 4

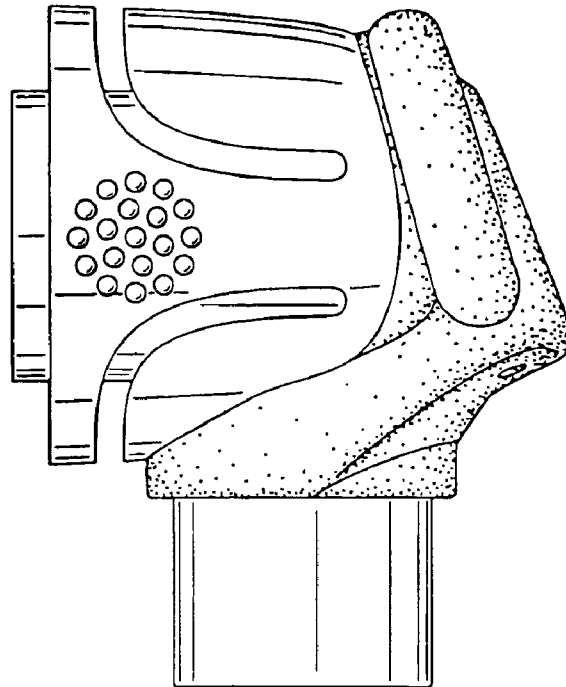


Fig. 5

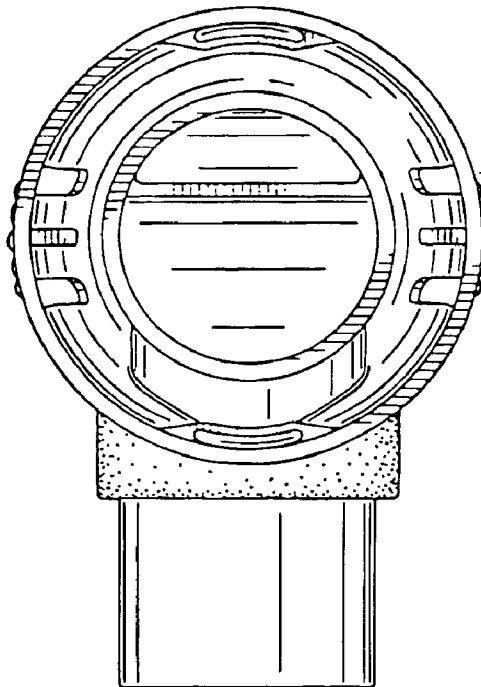


Fig. 6

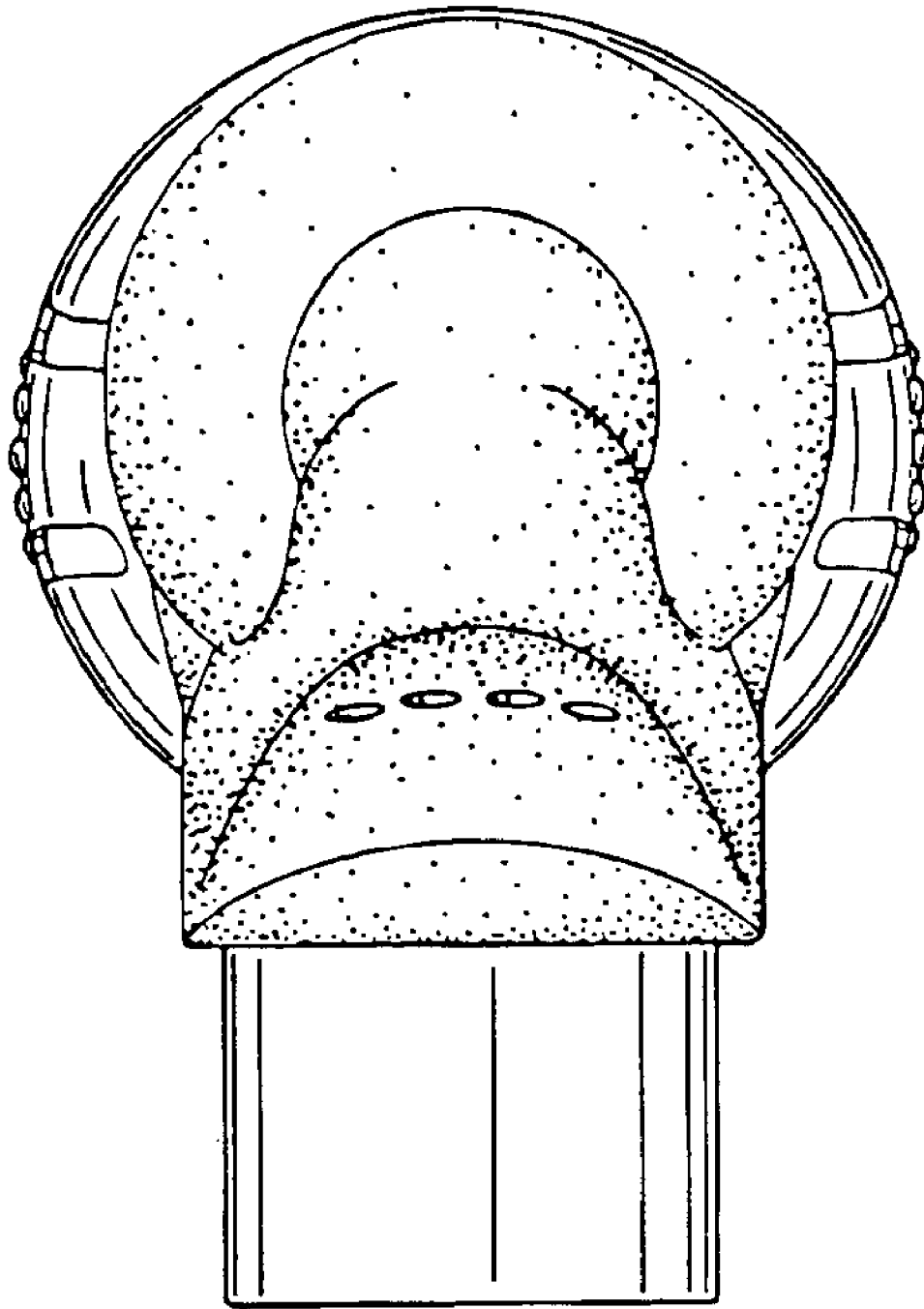


Fig. 7