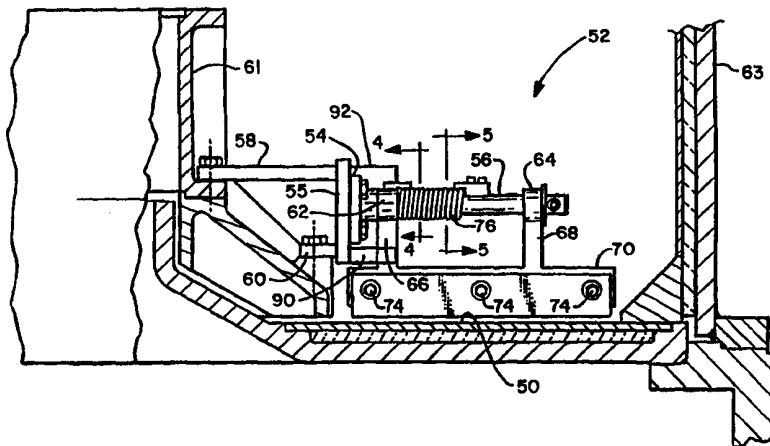




INTERNATIONAL APPLICATION PUBLISHED UNDER THE PATENT COOPERATION TREATY (PCT)

(51) International Patent Classification ⁶ : B02C 15/00	A3	(11) International Publication Number: WO 99/54047 (43) International Publication Date: 28 October 1999 (28.10.99)
<p>(21) International Application Number: PCT/US99/06268</p> <p>(22) International Filing Date: 23 March 1999 (23.03.99)</p> <p>(30) Priority Data: 09/062,109 17 April 1998 (17.04.98) US</p> <p>(71) Applicant: COMBUSTION ENGINEERING, INC. [US/US]; 2000 Day Hill Road, Windsor, CT 06095 (US).</p> <p>(72) Inventors: PRAIRIE, Robert, Stephen; 41 Sutton Drive, Vernon, CT 06066 (US). PRZYBYCIEN, Ronald, Patrick; 18 Rampart Court, Holyoke, MA 01040 (US).</p> <p>(74) Agents: FOURNIER, Arthur, E., Jr. et al.; Combustion Engineering, Inc., 2000 Day Hill Road, Windsor, CT 06095-0500 (US).</p>	<p>(81) Designated States: AL, AM, AT, AU, AZ, BA, BB, BG, BR, BY, CA, CH, CN, CZ, DE, DK, EE, ES, FI, GB, GE, GH, GM, HR, HU, ID, IL, IS, JP, KE, KG, KR, KZ, LC, LK, LR, LS, LT, LU, LV, MD, MG, MK, MN, MW, MX, NO, NZ, PL, PT, RO, RU, SD, SE, SG, SI, SK, SL, TJ, TM, TR, TT, UA, UG, UZ, YU, ZA, ZW, ARIPO patent (GH, GM, KE, LS, MW, SD, SL, SZ, UG, ZW), Eurasian patent (AM, AZ, BY, KG, KZ, MD, RU, TJ, TM), European patent (AT, BE, CH, CY, DE, DK, ES, FI, FR, GB, GR, IE, IT, LU, MC, NL, PT, SE), OAPI patent (BF, BJ, CF, CG, CI, CM, GA, GN, GW, ML, MR, NE, SN, TD, TG).</p> <p>Published <i>With international search report. Before the expiration of the time limit for amending the claims and to be republished in the event of the receipt of amendments.</i></p> <p>(88) Date of publication of the international search report: 23 December 1999 (23.12.99)</p>	

(54) Title: PULVERIZER APPARATUS WITH HORIZONTAL AXIS PIVOT SCRAPER



(57) Abstract

A scraper assembly (52) for use with an associated coal pulverizer (10) or as part of a coal pulverizer (10) having a vertical axis (16) with a central hub (61) that rotates during normal operation of the pulverizer (10). The scraper assembly (52) includes a bracket (54, 58, 60) dimensioned and configured for attachment to the hub (61) of the coal pulverizer (10) that rotates in the normal operation of the coal pulverizer (10). The apparatus (52) also includes a shaft (56) extending from the bracket (54, 58, 60). The shaft (56) is substantially horizontal and the apparatus (52) also includes a scraping element (72) pivotally mounted on the shaft (56). A torsion spring (76) biases the scraping element (72) with respect to the shaft (56). In some forms of the invention the scraping element (72) comprises a first (62) and second (64) journals engaging the shaft (56) at axially spaced points and the scraping element (72) further includes first (66) and second (68) arms extending radially away from the shaft (56) that are respectively fixed to the first (62) and second (64) journals. The apparatus (52) may further include a first plate shaped member (70) carried on the first (66) and second (68) arms and a second plate shaped member (72) removably attached to the first plate shaped member (70).

FOR THE PURPOSES OF INFORMATION ONLY

Codes used to identify States party to the PCT on the front pages of pamphlets publishing international applications under the PCT.

AL	Albania	ES	Spain	LS	Lesotho	SI	Slovenia
AM	Armenia	FI	Finland	LT	Lithuania	SK	Slovakia
AT	Austria	FR	France	LU	Luxembourg	SN	Senegal
AU	Australia	GA	Gabon	LV	Latvia	SZ	Swaziland
AZ	Azerbaijan	GB	United Kingdom	MC	Monaco	TD	Chad
BA	Bosnia and Herzegovina	GE	Georgia	MD	Republic of Moldova	TG	Togo
BB	Barbados	GH	Ghana	MG	Madagascar	TJ	Tajikistan
BE	Belgium	GN	Guinea	MK	The former Yugoslav Republic of Macedonia	TM	Turkmenistan
BF	Burkina Faso	GR	Greece	ML	Mali	TR	Turkey
BG	Bulgaria	HU	Hungary	MN	Mongolia	TT	Trinidad and Tobago
BJ	Benin	IE	Ireland	MR	Mauritania	UA	Ukraine
BR	Brazil	IL	Israel	MW	Malawi	UG	Uganda
BY	Belarus	IS	Iceland	MX	Mexico	US	United States of America
CA	Canada	IT	Italy	NE	Niger	UZ	Uzbekistan
CF	Central African Republic	JP	Japan	NL	Netherlands	VN	Viet Nam
CG	Congo	KE	Kenya	NO	Norway	YU	Yugoslavia
CH	Switzerland	KG	Kyrgyzstan	NZ	New Zealand	ZW	Zimbabwe
CI	Côte d'Ivoire	KP	Democratic People's Republic of Korea	PL	Poland		
CM	Cameroon	KR	Republic of Korea	PT	Portugal		
CN	China	KZ	Kazakstan	RO	Romania		
CU	Cuba	LC	Saint Lucia	RU	Russian Federation		
CZ	Czech Republic	LI	Liechtenstein	SD	Sudan		
DE	Germany	LK	Sri Lanka	SE	Sweden		
DK	Denmark	LR	Liberia	SG	Singapore		
EE	Estonia						

INTERNATIONAL SEARCH REPORT

Intern. Application No PCT/US 99/06268

A. CLASSIFICATION OF SUBJECT MATTER
 IPC 6 B02C15/00

According to International Patent Classification (IPC) or to both national classification and IPC

B. FIELDS SEARCHED

Minimum documentation searched (classification system followed by classification symbols)
 IPC 6 B02C

Documentation searched other than minimum documentation to the extent that such documents are included in the fields searched

Electronic data base consulted during the international search (name of data base and, where practical, search terms used)

C. DOCUMENTS CONSIDERED TO BE RELEVANT

Category °	Citation of document, with indication, where appropriate, of the relevant passages	Relevant to claim No.
A	US 5 480 099 A (BUNTON JOE H) 2 January 1996 (1996-01-02) figures 1-4 column 2, line 35 -column 3, line 17 ---	1, 11
A	US 4 173 177 A (DAVIS FLOYD O) 6 November 1979 (1979-11-06) figure 3 column 3, line 42 - line 54 ---	1, 11
A	PATENT ABSTRACTS OF JAPAN vol. 17, no. 355 (C-1079), 6 July 1993 (1993-07-06) & JP 05 049961 A (UBE IND LTD), 2 March 1993 (1993-03-02) abstract --- -/--	1, 11

Further documents are listed in the continuation of box C.

Patent family members are listed in annex.

° Special categories of cited documents :

<p>"A" document defining the general state of the art which is not considered to be of particular relevance</p> <p>"E" earlier document but published on or after the international filing date</p> <p>"L" document which may throw doubts on priority claim(s) or which is cited to establish the publication date of another citation or other special reason (as specified)</p> <p>"O" document referring to an oral disclosure, use, exhibition or other means</p> <p>"P" document published prior to the international filing date but later than the priority date claimed</p>	<p>"T" later document published after the international filing date or priority date and not in conflict with the application but cited to understand the principle or theory underlying the invention</p> <p>"X" document of particular relevance; the claimed invention cannot be considered novel or cannot be considered to involve an inventive step when the document is taken alone</p> <p>"Y" document of particular relevance; the claimed invention cannot be considered to involve an inventive step when the document is combined with one or more other such documents, such combination being obvious to a person skilled in the art.</p> <p>"&" document member of the same patent family</p>
--	--

Date of the actual completion of the international search
2 November 1999

Date of mailing of the international search report
10/11/1999

Name and mailing address of the ISA
 European Patent Office, P.B. 5818 Patentlaan 2
 NL - 2280 HV Rijswijk
 Tel. (+31-70) 340-2040, Tx. 31 651 epo nl,
 Fax: (+31-70) 340-3016

Authorized officer
Wennborg, J

1

INTERNATIONAL SEARCH REPORT

Intern. Application No PCT/US 99/06268

C.(Continuation) DOCUMENTS CONSIDERED TO BE RELEVANT

Category	Citation of document, with indication, where appropriate, of the relevant passages	Relevant to claim No.
A	US 4 192 469 A (JAGER HEINZ) 11 March 1980 (1980-03-11) figure 1 column 3, line 1 - line 4 ---	1,11
A	US 5 067 662 A (CHANG SHIEN F) 26 November 1991 (1991-11-26) figure 1 column 5, line 39 - line 43 -----	1,11

INTERNATIONAL SEARCH REPORT

Information on patent family members

International Application No

PCT/US 99/06268

Patent document cited in search report	A	Publication date	Patent family member(s)	Publication date
US 5480099	A	02-01-1996	NONE	
US 4173177	A	06-11-1979	NONE	
JP 05049961	A	02-03-1993	JP 2622909 B	25-06-1997
US 4192469	A	11-03-1980	DE 2707395 A	24-08-1978
			FR 2380817 A	15-09-1978
			GB 1601681 A	04-11-1981
			JP 53114564 A	06-10-1978
US 5067662	A	26-11-1991	NONE	