

(19) World Intellectual Property Organization
International Bureau



(43) International Publication Date
11 August 2005 (11.08.2005)

PCT

(10) International Publication Number
WO 2005/074279 A1

(51) International Patent Classification⁷: H04N 7/12, 7/173, H04J 1/00

(21) International Application Number: PCT/US2005/002641

(22) International Filing Date: 31 January 2005 (31.01.2005)

(25) Filing Language: English

(26) Publication Language: English

(30) Priority Data:
60/540,161 29 January 2004 (29.01.2004) US
60/598,241 3 August 2004 (03.08.2004) US

(71) Applicants and

(72) Inventors: HILDEBRAND, John, G. [US/US]; 390 Silver Creek Run, Lawrenceville, GA 30044 (US). GONZALEZ, Francisco [US/US]; 7485 Hunters Wood Drive, Atlanta, GA 30350 (US).

(74) Agents: BUSER, John, R. et al.; 1000 Town Center, Twenty-Second Floor, Southfield, MI 48075 (US).

(81) Designated States (unless otherwise indicated, for every kind of national protection available): AE, AG, AL, AM,

AT, AU, AZ, BA, BB, BG, BR, BW, BY, BZ, CA, CH, CN, CO, CR, CU, CZ, DE, DK, DM, DZ, EC, EE, EG, ES, FI, GB, GD, GE, GH, GM, HR, HU, ID, IL, IN, IS, JP, KE, KG, KP, KR, KZ, LC, LK, LR, LS, LT, LU, LV, MA, MD, MG, MK, MN, MW, MX, MZ, NA, NI, NO, NZ, OM, PG, PH, PL, PT, RO, RU, SC, SD, SE, SG, SK, SL, SY, TJ, TM, TN, TR, TT, TZ, UA, UG, US, UZ, VC, VN, YU, ZA, ZM, ZW.

(84) Designated States (unless otherwise indicated, for every kind of regional protection available): ARIPO (BW, GH, GM, KE, LS, MW, MZ, NA, SD, SL, SZ, TZ, UG, ZM, ZW), Eurasian (AM, AZ, BY, KG, KZ, MD, RU, TJ, TM), European (AT, BE, BG, CH, CY, CZ, DE, DK, EE, ES, FI, FR, GB, GR, HU, IE, IS, IT, LT, LU, MC, NL, PL, PT, RO, SE, SI, SK, TR), OAPI (BF, BJ, CF, CG, CI, CM, GA, GN, GQ, GW, ML, MR, NE, SN, TD, TG).

Declaration under Rule 4.17:

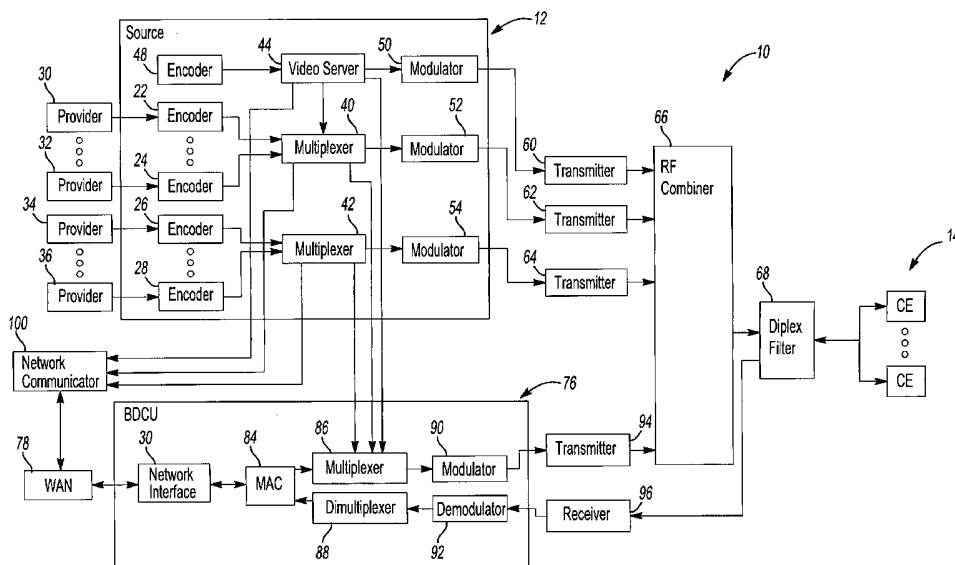
— of inventorship (Rule 4.17(iv)) for US only

Published:

— with international search report

For two-letter codes and other abbreviations, refer to the "Guidance Notes on Codes and Abbreviations" appearing at the beginning of each regular issue of the PCT Gazette.

(54) Title: METHOD AND SYSTEM OF TRANSPORTING MULTIMEDIA SIGNALS



(57) Abstract: A method and system of transporting multimedia signals from a source 12 to customer equipment (CE) 14. The method and system being applicable to cable, telecommunications, and other systems where signals are transported from a source 12 to CE 14.

WO 2005/074279 A1

METHOD AND SYSTEM OF TRANSPORTING MULTIMEDIA SIGNALS

CROSS-REFERENCE TO RELATED APPLICATIONS

This application claims the benefit of U.S. provisional application
5 Serial No. 60/540,161 filed January 29, 2004 and U.S. provisional application serial
No. 60/598,241 filed August 3, 2004, the disclosures of which are hereby
incorporated in its entirety.

BACKGROUND OF THE INVENTION

1. Field of the Invention

10 The present invention relates to methods and systems of transporting
multimedia signals to customer equipment (CE).

2. Background Art

Cable, telecommunication, and other systems may provide multimedia
signals to customer equipment (CE), such as televisions, computers, modems,
15 multimedia terminal adapters (MTAs), settop boxes (STBs), and the like. The
signals may relate to audio and video signals which are continuously broadcasted by
cable and network television providers, such as NBC, ABC, ESPN, HBO, and/or
data signals, such as those associated with network communications, television
services, and the like.

20 Operators of such systems require architectures for supporting the
transportation of such signals from one location to another.

SUMMARY OF THE INVENTION

One aspect of the present invention relates to a transport system for transporting signals to customer equipment (CE). The present invention contemplates a number of features and configurations for transporting the signals, including a system having a source configured to packetize the signals and a bi-directional data communication unit (BDCU) configured to integrate signals from the source according to data communication protocols used by the BDCU to communicate with the CE.

In accordance with one non-limiting aspect of the present invention, the system may further comprise a network communicator in communication with the source for transporting signals from the source to the BDCU. In more detail, the network communicator may be an internet protocol (IP) encapsulator configured to encapsulate signals from the source for transport over a packet switching network to the BDCU.

In accordance with one non-limiting aspect of the present invention, the system may relate to cable systems where broadcast television signals are transported to CE. In more detail, the system may include a headend configured to packetize the television signals, a cable modem termination system (CMTS) in communication with the headend for integrating the television packets into a DOCSIS transport, and CE configured to retrieve the packetized television signals from the DOCSIS transport. Optionally, the headend may include a multiplexer for combining the packetized television signals into a MPEG-2 transport for direct output to the CMTS or through a network communicator.

The above features and advantages, along with other features and advantages of the present invention, are readily apparent from the following detailed description of the invention when taken in connection with the accompanying drawings.

BRIEF DESCRIPTION OF THE DRAWINGS

FIGURE 1 illustrates a transport system in accordance with one non-limiting aspect of the present invention.

DETAILED DESCRIPTION OF THE PREFERRED EMBODIMENT(S)

5

FIGURE 1 illustrates a flexible transport system 10 in accordance with one non-limiting aspect of the present invention. The flexible transport system 10 provides an architecture for transporting multimedia signals from a source 12 to customer equipment (CE) 14, such as that associated with customers of a cable, telecommunication, and other service operators. Of course, the present invention contemplates any number of applications and is not intended to be limited to the foregoing systems.

In accordance with one non-limiting aspect of the present invention, the multimedia signals relate to broadcast television signals delivered to the source from a number of providers, such as network television providers like NBC, ABC, etc., cable television providers like HBO, ESPN, etc., pay-per-view providers, and the like. The broadcast television signals are characterized as being continuous broadcasts of video and audio signals that the source 12 manipulates for transport to the CE 14.

In general, the system 10 provides a flexible transport architecture for transporting broadcast television signals to a television, a settop box, a computer, a modem, a multimedia terminal adapter (MTA), a digital video recorder (DVR), and other types of CE 14. Of course, the present invention contemplates the source being associated with any type of service provider and configured for providing signals operable with any type of CE 14, including CE 14 which operate in combination with other features, such as local area networks (LANs) and media output devices.

The source 12 includes a number encoders 22-28 configured to receive signals from a number of providers 30-36. The encoders 22-28 continuously packetize, encode or otherwise manipulate the incoming audio and visual (AV) signals according to desired compression protocols and transport logic. For example, the encoders 22-28 may be MPEG encoders configured for compressing and encoding the AV signals according to MPEG protocols. Of course, the present invention is not intended to be limited to MPEG encoders and their associated protocols. Rather, the present invention contemplates any number of protocols, including advance video compression standards, such as MPEG-4 and H.264.

10 The encoded signals are outputted to one of a number of multiplexers 40-42 for combination into a common transport stream, typically referred to as a multiple program transport stream (MPTS). The MPTS may take any number of forms, including an MPEG-2 transport or other transport. Typically, each multiplexer 40-42 supports up to 10 or more encoders.

15 Of course, any number of other service signals may be multiplexed with the encoded broadcast television signals and included within the MPTS. For example, the source 12 may further include a streaming video server 44 for including previously stored video or video received from encoder 48 with the MPTS of broadcast television signals, such as to provide video on demand (VOD) capabilities and the like. Moreover, the video server 44 may be configured to multiplex multiple video sessions to create its own MPTS for output to the multiplexer 40 or elsewhere, as described below in more detail.

25 Likewise, additional information may be included in the MPTS, such as information identifying the programs, the program provider, and other information related to the broadcast television signals. In more detail, the source may include a program specific information / system information (PSI/SI) generator (not show) which receives instructions from providers, vendors, and/or operators at the source or in communication therewith for associating data and information signals with the broadcast television signals.

For example, the PSI generator may be configured to provide information regarding specific programs, such as detailed program descriptions, associated program authorizations, conditional access features, interactive tags, program (channel) listing, and the like. Likewise, the SI generator may be
5 configured to provide less specific information, such as elementary stream program identifiers (such as those required to select specific programs from a multiple program transport stream), electronic programming guide (EPG) information, channel maps (in cable systems for example, each provider may be assigned a channel in a channel map which the customer may tune to with their CE to locate the
10 associated television program or other service) content navigation information, tuning information (such as a frequency map of the system), presentation information and the like.

In accordance with one non-limiting aspect of the present invention, the MPTS and/or video server signals may be outputted from the multiplexers 40-42
15 to one of a number of modulators 50-54 for modulation, such as for quadrature amplitude modulation (QAM). In general, the modulation relates to associating the MPTS or video streams with a suitable transmission frequency. The modulators 50-54 output the modulated transport streams to one of a number transmitters 60-64 for upconverting to a suitable carrier frequency. The transmitters 60-64 output the
20 signals to a radio frequency (RF) combiner 66 where the signals are combined with other signals for downstream transport to CE 14. A diplex filter 68 separates signals traveling in a downstream direction from those traveling in an upstream direction.

The signals output from the modulators 50-54 associated with the source generally define a transport architecture commonly referred to as baseline,
25 which is mainly characterized by the multimedia signals being transported directly to the CE 14 from the source 12 and without further manipulation. This configuration is commonly found in systems which are unable to support packet switching network processes, such packet switching network commonly associate with internet protocols (IP) and the like.

In accordance with one non-limiting aspect of the present invention, the multiplexers 40-42 and video server 44 may output their respective MPTS to a bi-directional communication unit (BDCU) 76 configured for communicating data signals between CE 14 and a network 78, such as a wide area network (WAN). The
5 BDCU 76 may include any number of features and components for supporting the bi-direction data communication between the CE 14 and network 78, including a network interface 82, a medium access control (MAC) 84, a multiplexer 86, a demultiplexer 88, a modulator 90, and a demodulator 92, such as those commonly found in a cable modem termination system (CMTS) of a cable system or a digital
10 subscriber line access multiplexer (DSLAM) of a telecommunication system.

In operation, the BDCU 76 is configured to transport data signals between the CE 14 and network 78. For example, the BDCU 76 may be configured to transport signals according to a data over cable service interface specifications (DOCSIS) so that a cable modem, STB, or other data communication CE may
15 exchange signals with the network 78. In more detail, the network interface 82 interacts with the network 78 to control the communication and exchanges of signals therebetween. The MAC 84 communications with the network interface 82 to control addressing and other functions related to communicating signals between the network 78 and CE 14.

20 In accordance with one non-limiting aspect of the present invention, the MPTS from the source multiplexers 40-42 and video server 44 may be communicated to the multiplexer 86 of the BDCU 76 for integration with the transport streams of the BDCU 76. In more detail, the AV packets of the MPTS are integrated with the data packets of the BDCU transport streams according the data
25 transport protocols of the BDCU 76 to create an integrated transport stream. In this manner, the integrated signals may be transported to the CE 14 using data transmission protocols, such as those defined by DOCSIS.

In accordance with one non-limiting aspect of the present invention, the multiplexer 86 may combine signals from the source multiplexers 40-42 and
30 video server 44 into an integrated MPEG-2 transport stream of 188 byte MPEG

packets composed of a 4 byte header and 184 byte payload. In accordance with one non-limiting aspect of the present invention, the integrated transport stream differentiates AV packets from data packets using DOCSIS procedures and protocols, such as those included in a DOCSIS transmission convergence sub-layer.

5 In more detail, this includes identifying data packets by a packet identifier (PID) 0x1FFE in the MPEG-2 transport header and without an associated adaptation field whereas the AV packets are identified with PIDs other than those having the 0x1FFE designation and are associated with an adaptation field for decoder synchronization. Of course, the present invention is not intended to be limited to the use of the

10 DOCSIS downstream transmission convergence sub-layer and contemplates the use of other packet identifying logic for differentiating between AV packets and DOCSIS data packets.

The integrated transport stream may be outputted from the multiplexer 86 to the modulator 90 for modulation, such as quadrature amplitude

15 modulator (QAM). The modulator 90 outputs the modulated transport stream to a transmitter 94 for upconverting to a suitable carrier frequency and delivery to the RF combiner 66. The BDCU 76 may also receive signals from the CE 14 through the use of a receiver 96, demodulator 92, and demultiplexer 94, as one skilled in the art will appreciate.

20 In accordance with one non-limiting aspect of the present invention, the system 10 may include a network communicator 100. The communicator may be configured for encapsulating or otherwise manipulating the MPTSs from the source multiplexers 40-42 and/or the video server 44 to network protocols. In this manner, the network protocols permit transmission of the MPTSs over packet

25 switching networks, such as the WAN 78.

In accordance with one non-limiting aspect of the present invention, the network communicator 100 may be configured to convert, manipulate, or otherwise reconfigure the MPTS to any number of network protocols, such as internet protocols (IP) like user datagram protocols (UDP), transmission control

30 protocols (TCP), real-time transport protocols (RTP), and the others. In this

manner, the MPTS from the source multiplexers 40-42 and video server 44 may be delivered to the BDCU over the internet or other network without requiring dedicated communication lines therebetween. In more detail, such flexibility allows the source 12 to transfer the MPTS over any packet-switching network to the BDCU
5 76 where it can then be integrated, as described above, with the data transport streams of the BDCU and configured for transport to the CE 14.

As described above, the source multiplexers 40-42 and video server 44 may output the MPTSs directly to the RF combiner 66, to the multiplexer 86 of the BDCU 76, and/or to the network communicator 100. Such flexibility provides
10 a flexible architecture for the transportation of signals from the source 12 to the CE 14. Of course, the present invention is not so limited and contemplates the use of other features at the source of BDCU for directing the multiplexing and transport of the signals.

While embodiments of the invention have been illustrated and
15 described, it is not intended that these embodiments illustrate and describe all possible forms of the invention. Rather, the words used in the specification are words of description rather than limitation, and it is understood that various changes may be made without departing from the spirit and scope of the invention.

WHAT IS CLAIMED IS:

1. A transport system, the system comprising:
a source having a number of encoders configured to packetize broadcast television signals; and
5 a bi-directional data communication unit (BDCU) located remotely from the source and configured to communicate packetized data signals between customer equipment (CE) and a network according to data transmission protocols, the BDCU including a multiplexer for integrating the packetized television signals with the packetized data signals for transport to the CE in an integrated transport
10 stream defined as a function of the data transmission protocols.
2. The system of claim 1 wherein the source includes at least one multiplexer configured to combine the packetized television signals into a multiple program transport stream (MPTS) prior to transport to the BDCU.
3. The system of claim 2 further comprising a network
15 communicator configured to encapsulate the MPTS for network communication prior to transport to the BDCU.
4. The system of claim 3 further comprising a packet-switching network for transporting the encapsulated MPTS from the source to the BDCU.
- 5 The system of claim 1 further comprising a video server in
20 configured for packetizing streaming video and wherein the multiplexer of the BDCU is configured to integrate the packetized streaming video with the packetized television signals and data signals for transport to the CE in the integrated transport stream.
6. The system of claim 5 further comprising a network
25 communicator configured to encapsulate the packetized streaming video signals for network communication prior to transport to the BDCU.

7. A method of providing multimedia signals from a source to customer equipment (CE) in a system having a bi-directional data communication unit (BDCU) configured for communicating data signals between the CE and a network, the method comprising:

- 5 receiving the multimedia signals at the BDCU;
integrating the received multimedia signals with a BDCU transport;
and
transmitting the integrated transport from the BDCU to the CE.

8 The method of claim 7 further comprising encapsulating the
10 multimedia signals for network communication and transmitting the encapsulated multimedia signals over the network to the BDCU for integration with the data BDCU transport.

9. The method of claim 8 further comprising encapsulating the multimedia signals according to internet protocols (IP).

15 10. The method of claim 9 further comprising configuring the multimedia signals according to real-time transport protocols (RTP) prior to encapsulation.

11. The method of claim 10 further comprising configuring the RTP multimedia signals according to user datagram protocols (UDP) or transmission
20 control protocols (TCP) prior to encapsulation.

12. The method of claim 7 further comprising multiplexing the multimedia signals into a transport and transmitting the transport to the BDCU for integration with the BDCU transport.

13. The method of claim 12 further comprising configuring the
25 transport according to MPEG-2 protocols.

14. The method of claim 7 further comprising configuring the multimedia signals to include audio and video elements.

15. The method of claim 7 further comprising configuring the multimedia signals to include program specific information (PSI) or system information (SI).
5

16. The method of claim 7 further comprising configuring the BDCU for communicating the integrated signals according to data over cable service interface specifications (DOCSIS) transport.

17. A method of transporting broadcast television signals, the
10 method comprising:
packetizing the television signals;
integrating the television packets into a DOCSIS transport; and
transporting the packetized television signals through the DOCSIS transport to customer equipment (CE).

18. The method of claim 17 further comprising multiplexing the packetized television signals into a MPEG-2 transport at a cable headend, transmitting the MPEG-2 transport from the headend to the a cable modem termination station (CMTS), and integrating the television packets carried in the MPEG-2 transport with the DOCSIS transport at the CMTS.
15

19. The method of claim 18 further comprising encapsulating the MPEG-2 transport stream according to internet protocols (IP) and transporting the MPEG-2 transport from the headend to the CMTS over a packet switching network as a function of the IP.
20

20. A cable system for transporting broadcast television signals,
25 the system comprising:
a headend configured to packetize the television signals;

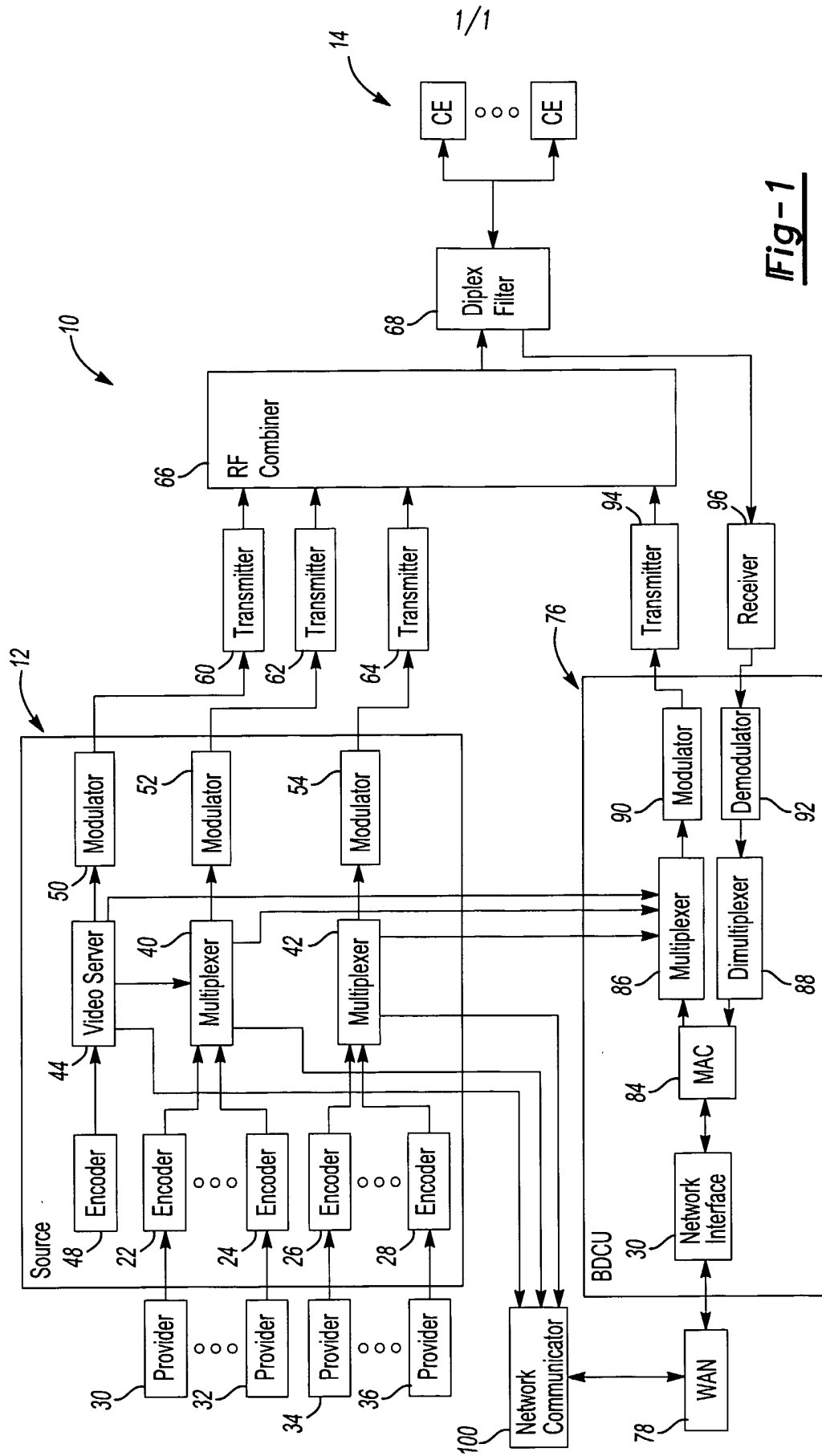
a cable modem termination station (CMTS) in communication with the headend for integrating the television packets into a DOCSIS transport; and customer equipment (CE) configured to recover the packetized television signals from the DOCSIS transport.

5 21. The system of claim 20 wherein the headend includes a multiplexer for combining the packetized television signals into a MPEG-2 transport for output to the CMTS.

10 22. The system of claim 21 further comprising a network communicator in communication with the headend and a packet switching network associate with the headend, the network communicator configured to encapsulate the MPEG-2 transport stream according to internet protocols (IP) for transport over the packet switching network to the CMTS.

15 23 The system of claim 20 wherein headend includes a video server configured to packetize streaming video signals and wherein the CMTS is configured to integrated the streaming video signals with the television packets into the DOCSIS transport.

20 24. The system of claim 23 further comprising a network communicator in communication with the headend and a packet switching network associate with the headend, the network communicator configured to encapsulate the packetized streaming video signals according to internet protocols (IP) for transport over the packet switching network to the CMTS.



INTERNATIONAL SEARCH REPORT

International application No.

PCT/US05/02641

A. CLASSIFICATION OF SUBJECT MATTER

IPC(7) : H04N 7/12, 173; H04J 1/00
 US CL : 348/423; 370/485, 486, 487; 725/109, 119

According to International Patent Classification (IPC) or to both national classification and IPC

B. FIELDS SEARCHED

Minimum documentation searched (classification system followed by classification symbols)
 U.S. : 370/355, 485, 486, 487; 348/423; 725/109, 119

Documentation searched other than minimum documentation to the extent that such documents are included in the fields searched

Electronic data base consulted during the international search (name of data base and, where practicable, search terms used)

C. DOCUMENTS CONSIDERED TO BE RELEVANT

Category *	Citation of document, with indication, where appropriate, of the relevant passages	Relevant to claim No.
X	US 6,130,898 A (KOSTRESKI et al) 10 October 2000, column 8 lines 12-22	1-2, 7, 12-18, 20-21
A	US 2002/0147978 A1 (DOLGONOS et al) 10 October 2002, page 1 paragraph 0005	1-24
A,E	US 6,876,852 b1 (LI et al) 05 April 2005, column 2 lines 28-31	1-24

Further documents are listed in the continuation of Box C.

See patent family annex.

* Special categories of cited documents:	"T"
"A" document defining the general state of the art which is not considered to be of particular relevance	later document published after the international filing date or priority date and not in conflict with the application but cited to understand the principle or theory underlying the invention
"E" earlier application or patent published on or after the international filing date	"X" document of particular relevance; the claimed invention cannot be considered novel or cannot be considered to involve an inventive step when the document is taken alone
"L" document which may throw doubts on priority claim(s) or which is cited to establish the publication date of another citation or other special reason (as specified)	"Y" document of particular relevance; the claimed invention cannot be considered to involve an inventive step when the document is combined with one or more other such documents, such combination being obvious to a person skilled in the art
"O" document referring to an oral disclosure, use, exhibition or other means	"&" document member of the same patent family
"P" document published prior to the international filing date but later than the priority date claimed	

Date of the actual completion of the international search

10 May 2005 (10.05.2005)

Date of mailing of the international search report

26 MAY 2005

Name and mailing address of the ISA/US

Mail Stop PCT, Attn: ISA/US
 Commissioner for Patents
 P.O. Box 1450
 Alexandria, Virginia 22313-1450

Facsimile No. (703) 305-3230

Authorized officer

Ricky Ngo

Telephone No. (703) 305-3996

