



(12) **United States Design Patent**
Blandino

(10) **Patent No.:** **US D1,069,470 S**
(45) **Date of Patent:** **** Apr. 8, 2025**

- (54) **JEWELRY HOLDER**
- (71) Applicant: **Toy Box Brands, LLC**, Corona Del Mar, CA (US)
- (72) Inventor: **Jerrold W. Blandino**, Corona Del Mar, CA (US)
- (73) Assignee: **Toy Box Brands, LLC**, Corona Del Mar, CA (US)

D243,646 S * 3/1977 Nolan D6/680.2
 D307,989 S * 5/1990 Stewart D6/682.2
 6,854,609 B1 * 2/2005 Hettinger A47F 7/0071
 211/85.4
 D505,274 S * 5/2005 Lai D6/323
 (Continued)

FOREIGN PATENT DOCUMENTS

CN 304927486 * 12/2018

OTHER PUBLICATIONS

Diamond Drunk Jewelry Cleaner, Diamond Drunk Product Listing (Dated to Jul. 25, 2023), Retrieved from the Internet (Oct. 18, 2024), URL: <https://diamonddrunk.com/products/discovery-set-pink> (Year: 2023).*

(Continued)

Primary Examiner — Steven J Czyn
Assistant Examiner — Varun Salil Kamat
 (74) *Attorney, Agent, or Firm* — Master Key IP, LLP;
 Justin G. Sanders

- (**) Term: **15 Years**
- (21) Appl. No.: **29/892,040**
- (22) Filed: **May 12, 2023**
- (51) **LOC (15) Cl.** **06-04**
- (52) **U.S. Cl.**
 USPC **D6/681.1**
- (58) **Field of Classification Search**
 USPC D6/679, 681, 681.1, 681.3, 682, 682.2,
 D6/682.4, 682.6, 674, 680.2, 567, 680.3,
 D6/661, 672, 677, 677.1, 315, 323, 680
 CPC A47F 7/02; A47F 5/02; A47F 5/04; A47F
 3/005; A47F 7/03; A47F 3/12; A47F
 5/0006; A47F 5/05; A47F 7/0078; A47F
 5/0876; A47G 25/0664; A47G 1/12;
 A47G 25/10; A47G 25/901; A47B 81/00;
 A47B 47/00
 See application file for complete search history.

(57) **CLAIM**

The ornamental design for a jewelry holder, as shown and described.

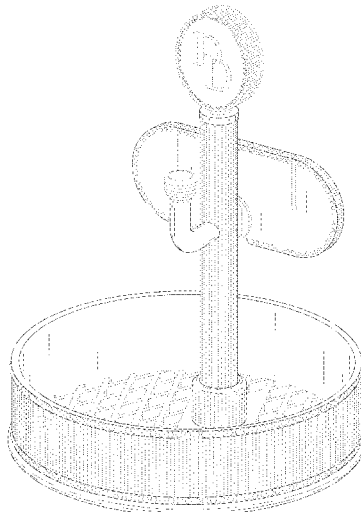
DESCRIPTION

FIG. 1 is a perspective view of my new jewelry holder design;
 FIG. 2 is a rear view thereof;
 FIG. 3 is a front view thereof;
 FIG. 4 is a left side view thereof;
 FIG. 5 is a right side view thereof;
 FIG. 6 is a top view thereof; and,
 FIG. 7 is a bottom view thereof.
 The broken lines shown are included only for the purpose of illustrating unclaimed portions of the article and form no part of the claimed design.

(56) **References Cited**
U.S. PATENT DOCUMENTS

- 1,520,310 A * 12/1924 Rogers, Jr. A47F 7/02
 206/566
- 2,362,251 A * 11/1944 Eggleton B08B 1/12
 134/201
- 2,627,276 A * 2/1953 Eggleton G04D 3/083
 215/390
- D183,511 S * 9/1958 Chesney D7/412
- D200,032 S * 1/1965 Nolan D6/681.3
- 3,168,100 A 2/1965 Rich
- 3,380,592 A 4/1968 Arnold

1 Claim, 7 Drawing Sheets



(56)

References Cited

U.S. PATENT DOCUMENTS

D563,694 S 3/2008 Mitchell
D617,997 S * 6/2010 Johnson D6/315
D655,980 S 3/2012 Cheek, Sr.
D662,789 S 7/2012 Rowan
D746,647 S 1/2016 Roaks
D747,914 S 1/2016 Schuler et al.
D785,380 S * 5/2017 King D6/681
D848,187 S 5/2019 Lee
11,134,828 B2 10/2021 Accattato
D952,377 S 5/2022 Richardson et al.
2012/0024808 A1* 2/2012 Jackson D06F 57/04
211/85.7
2014/0332648 A1* 11/2014 Hasbany A47F 5/01
211/85.2
2016/0058210 A1* 3/2016 Strassburger A47F 7/02
248/340

OTHER PUBLICATIONS

Simple Shine Jewelry Cleaning Kit, Amazon Product Listing (Dated to Dec. 24, 2015), Retrieved from the Internet (Oct. 18, 2024), URL: <https://www.amazon.com/Complete-Jewelry-Cleaning-Polishing-Cleaner/dp/B019RYXO8/> (Year: 2015).*

* cited by examiner

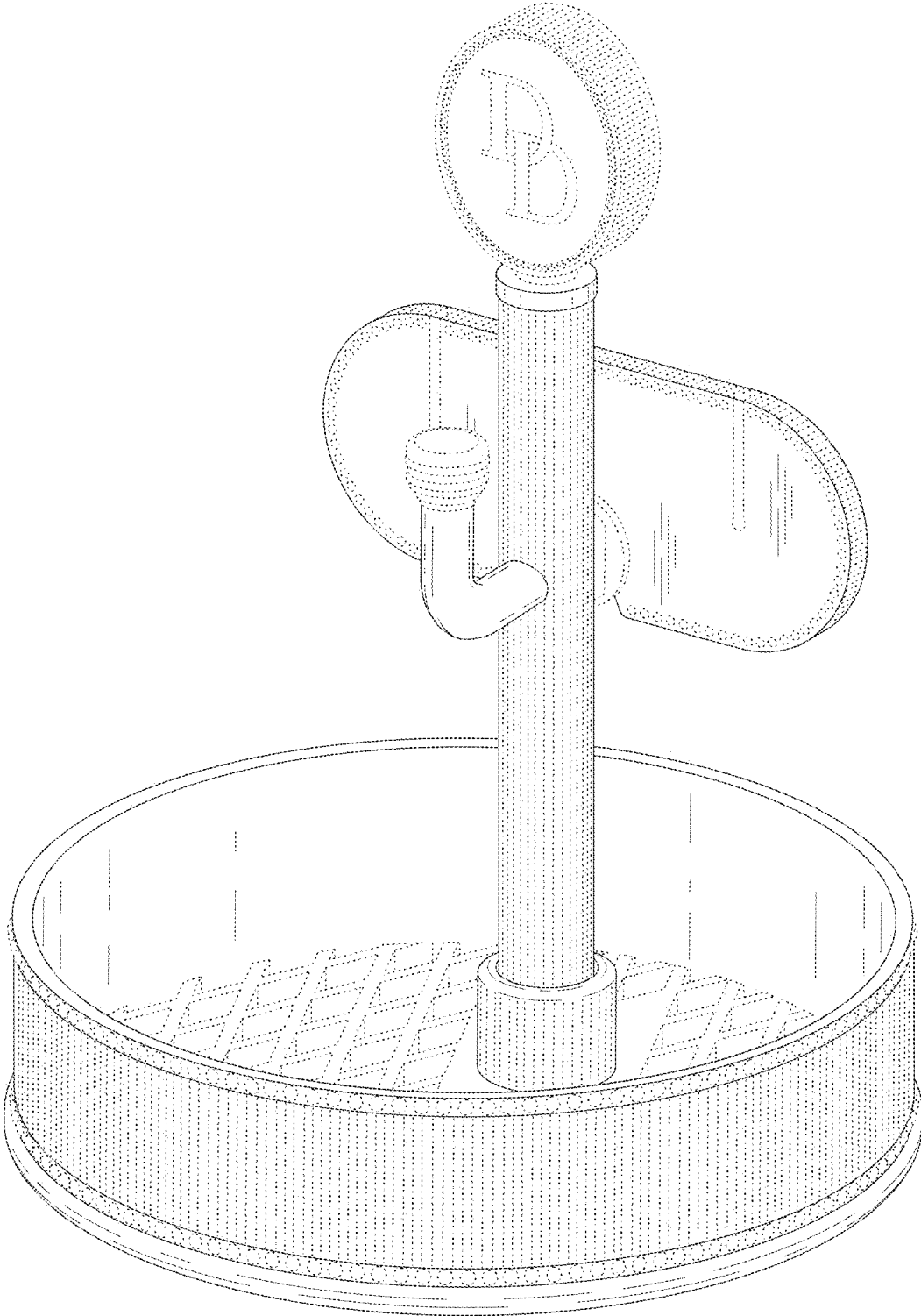


FIG. 1

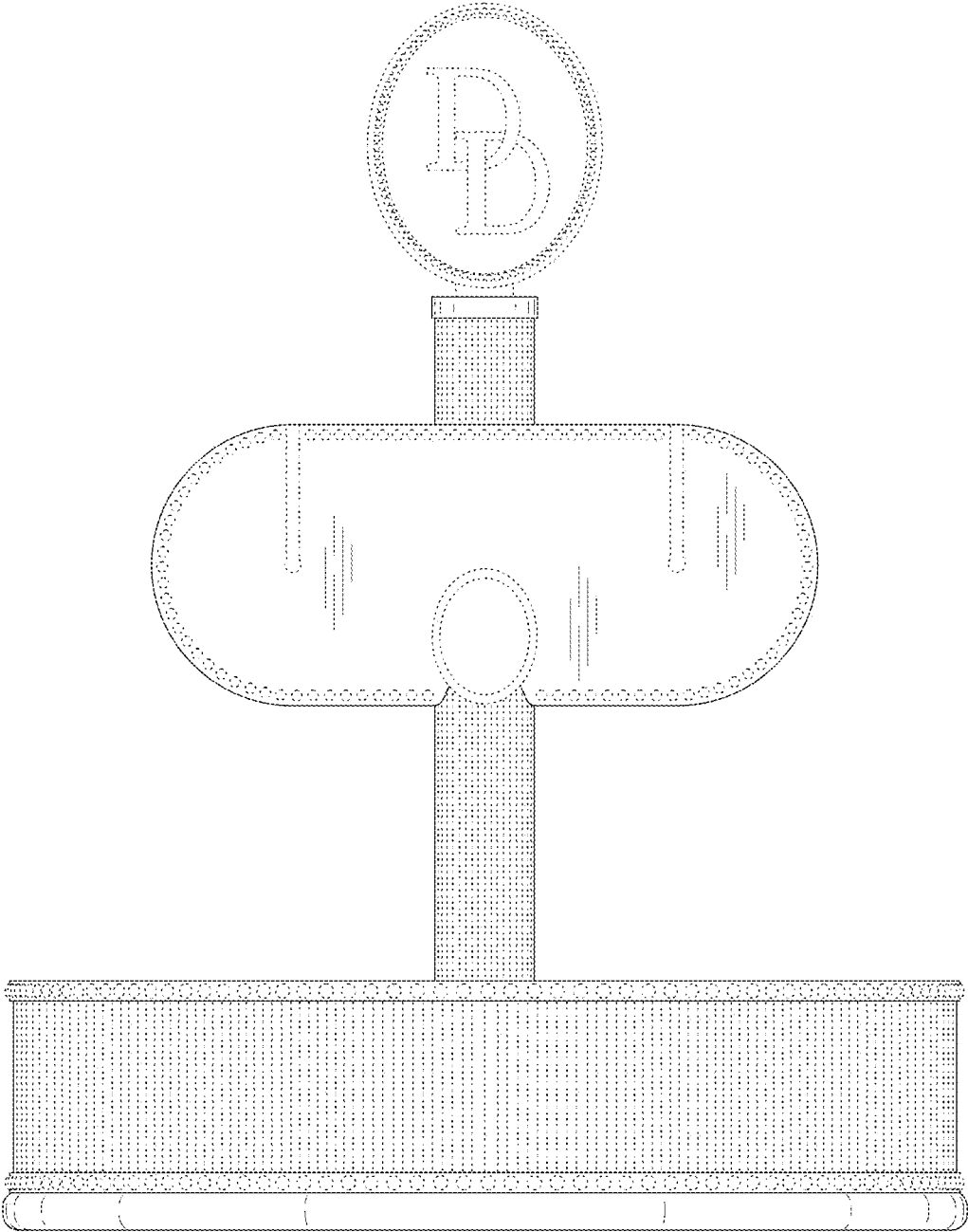


FIG. 2

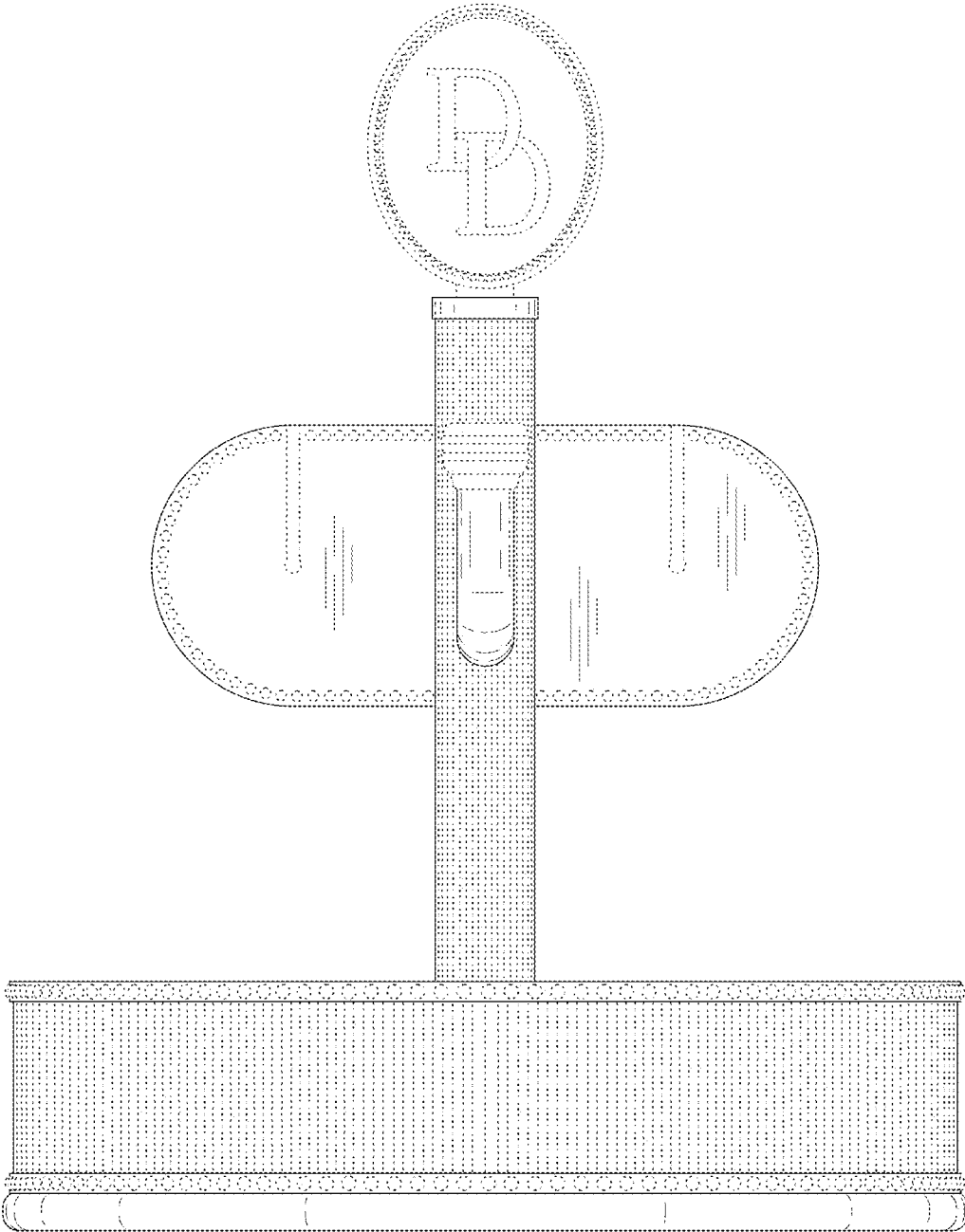


FIG. 3

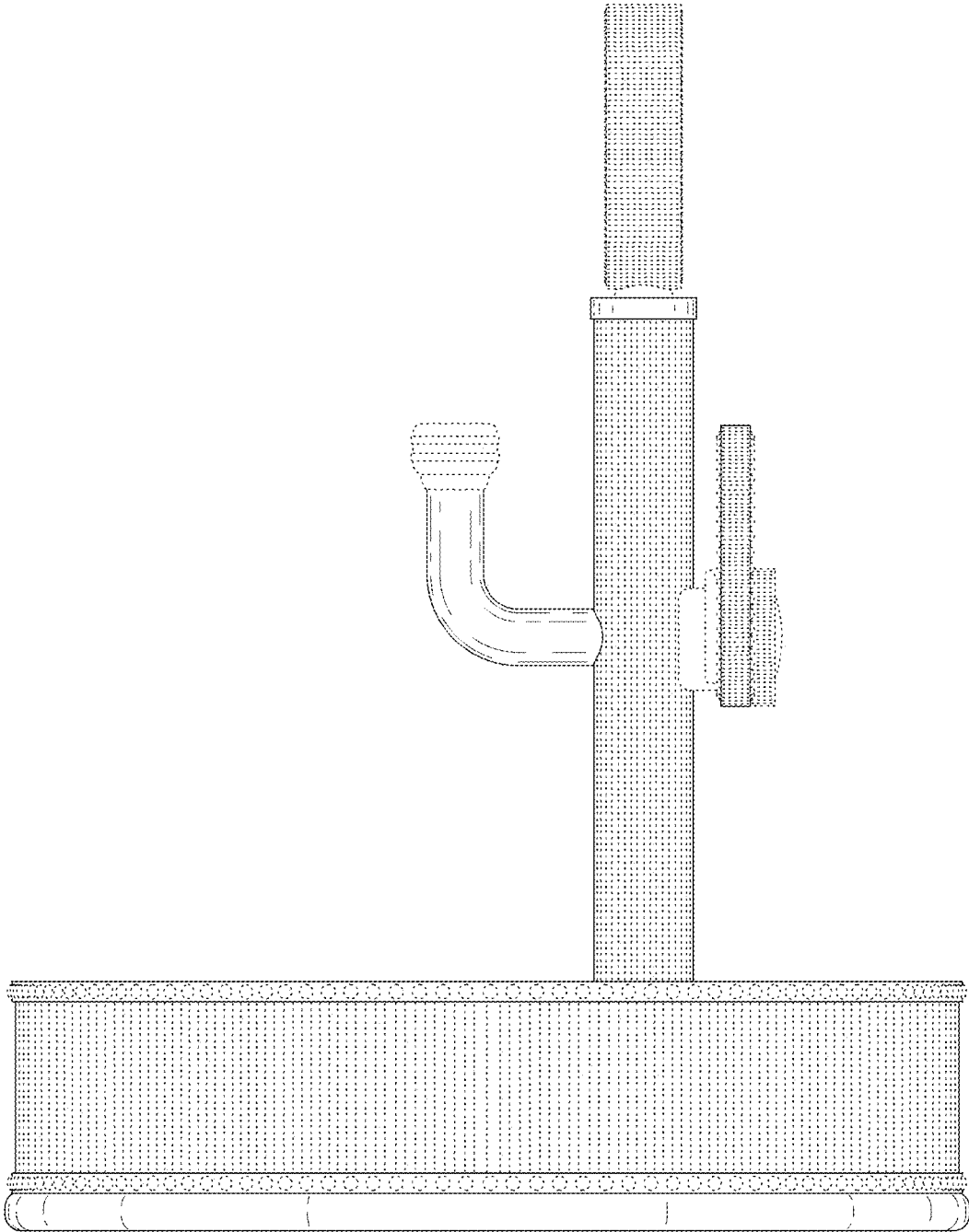


FIG. 4

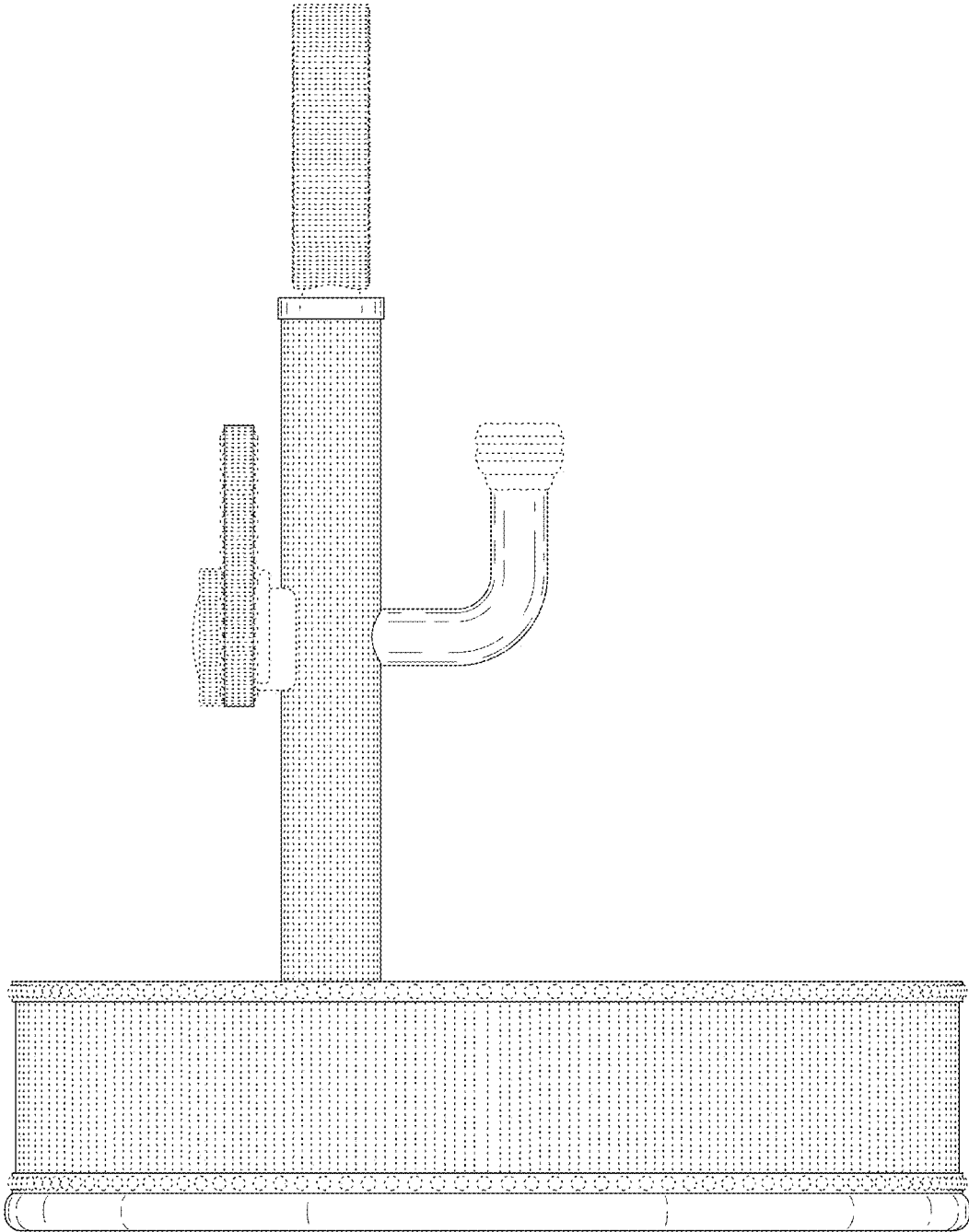


FIG. 5

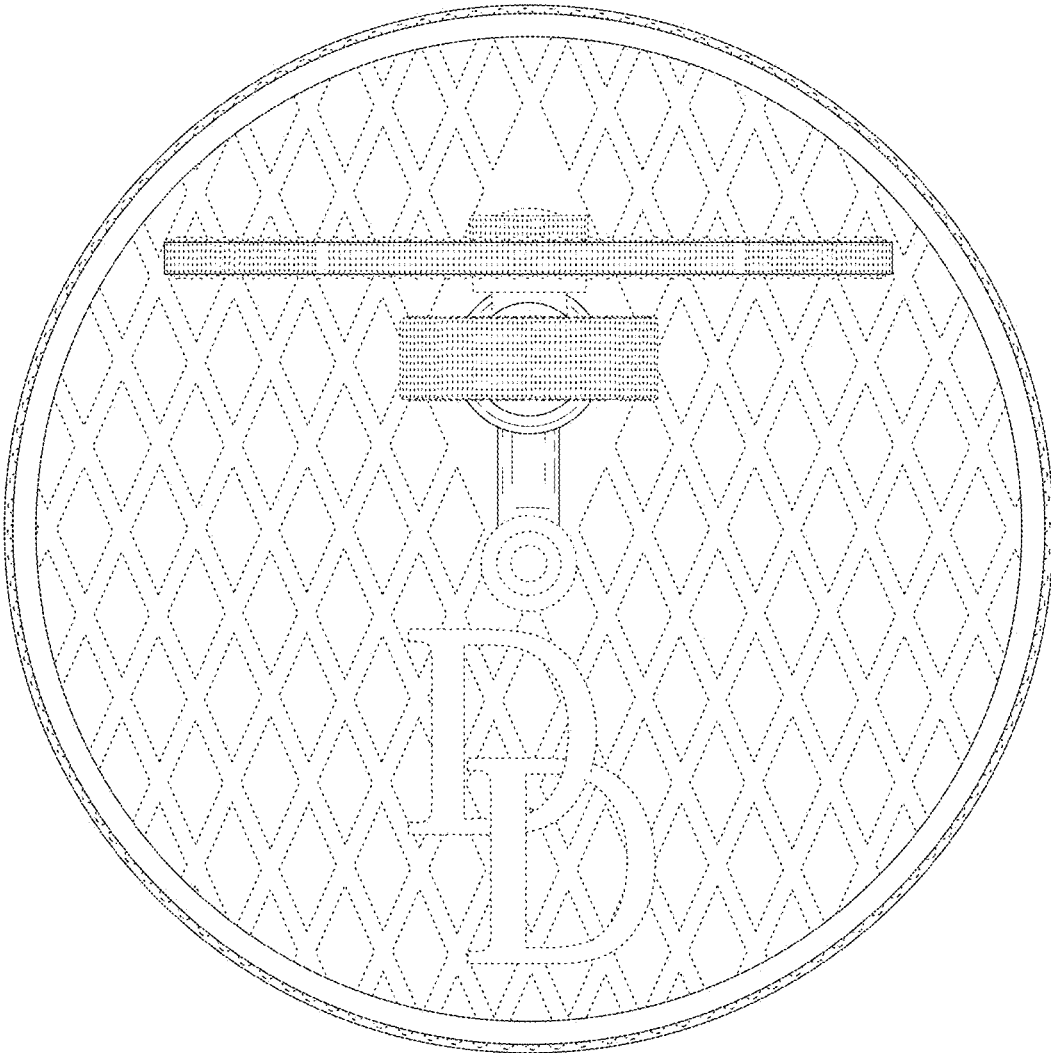


FIG. 6

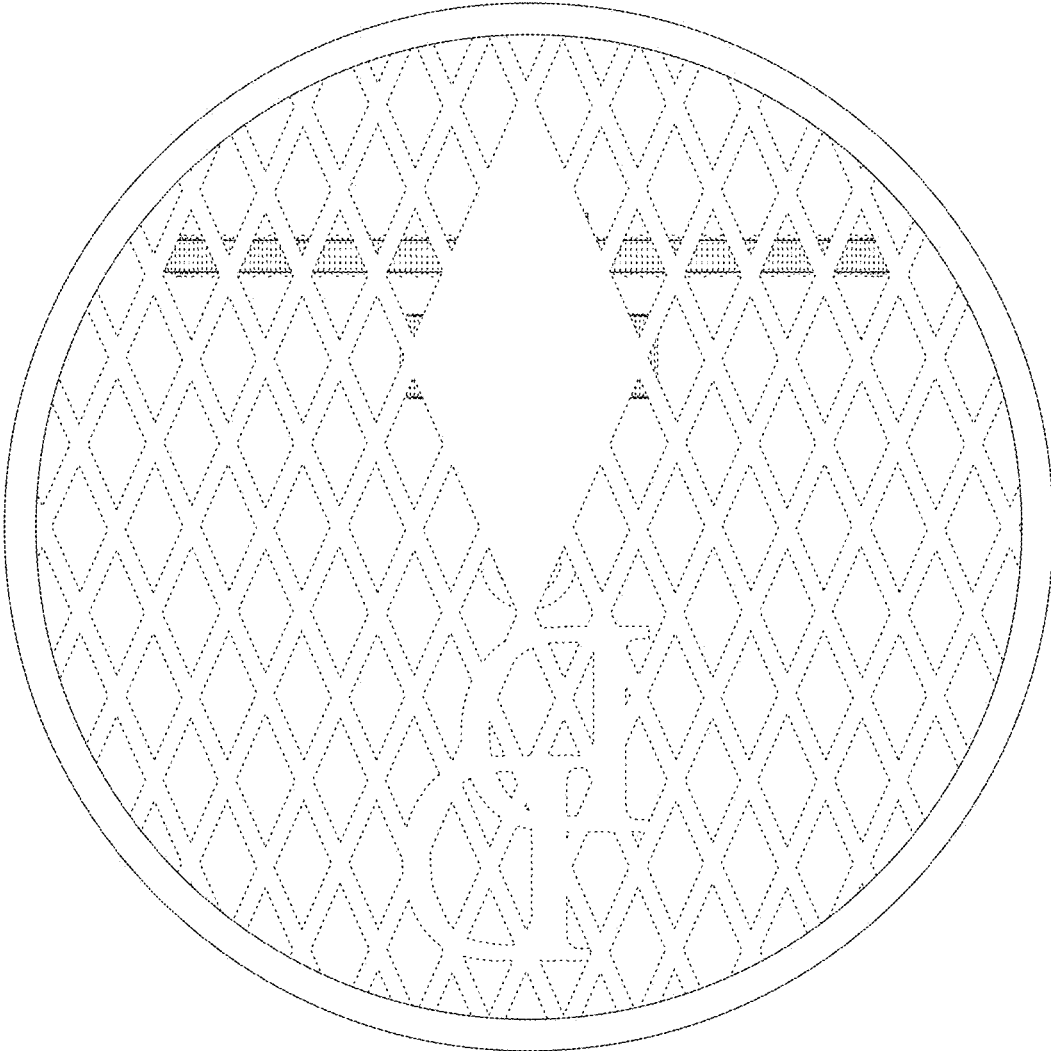


FIG. 7