



(12) **United States Design Patent**
Zhang et al.

(10) **Patent No.:** **US D950,561 S**
(45) **Date of Patent:** **** May 3, 2022**

(54) **DOCKING STATION**
(71) Applicant: **C-Smartlink Information Technology Co., Ltd., Shenzhen (CN)**
(72) Inventors: **Wenfeng Zhang, Shenzhen (CN); Shengfu Liu, Shenzhen (CN); Shengtian Liu, Shenzhen (CN)**

D430,882 S * 9/2000 Tsai D14/434
D464,972 S * 10/2002 Carrasco, Jr. D14/433
D491,563 S * 6/2004 Sato D14/242
D565,568 S * 4/2008 Trifilio D14/356
D565,571 S * 4/2008 Trifilio D14/434
D568,881 S * 5/2008 Hsiao D14/356
D602,019 S * 10/2009 Wang D14/356
D609,704 S * 2/2010 Sin D14/363
(Continued)

(73) Assignee: **C-Smartlink Information Technology Co., Ltd., Shenzhen (CN)**

FOREIGN PATENT DOCUMENTS

(**) Term: **15 Years**

CN 110994273 A * 4/2020 H05K 5/0021

(21) Appl. No.: **29/769,280**

OTHER PUBLICATIONS

(22) Filed: **Feb. 4, 2021**

UtechSmart USB C Docking Station. (Online) 15 pgs. Available Mar. 27, 2019. [Retrieved Apr. 26, 2021] <https://www.amazon.com/UtechSmart-Ethernet-Delivery-Compatible-ChromeBook/dp/B07Q56MW2M>.*

(51) **LOC (13) Cl.** **14-02**

(52) **U.S. Cl.** **D14/434**
USPC

(Continued)

(58) **Field of Classification Search**

USPC D14/434, 440, 447, 432, 433, 451, 452, D14/454, 455, 356, 358, 357, 315, 320, D14/322, 326, 392, 251-253, 217, 299, D14/496, 168, 172, 125, 240; D13/103, D13/107, 108, 118, 119, 184, 110
CPC G06F 1/16; G06F 1/1616; G06F 1/1626; G06F 1/1632; G06F 1/1684; G06F 1/1688; G06F 1/266; G06F 13/00; G06F 13/12; G06F 13/14; G06F 13/20; G06F 13/382; G06F 13/4022; F16M 11/10; F16M 11/20; H02J 57/025; H02J 7/0042; H02J 7/00; H02J 7/0027; H02J 7/0044; H02J 7/0045; H02J 7/355; H02J 7/025; H04R 1/025; H04R 5/04; H01R 31/065; H01M 10/44

See application file for complete search history.

Primary Examiner — Marie D. Fast Horse
(74) *Attorney, Agent, or Firm* — Westbridge IP LLC

(57) **CLAIM**

The ornamental design for a docking station, as shown and described.

DESCRIPTION

FIG. 1 is a top, front and right side perspective view of a docking station showing our new design; FIG. 2 is a front elevational view thereof; FIG. 3 is a rear elevational view thereof; FIG. 4 is a left side elevational view thereof; FIG. 5 is a right side elevational view thereof; FIG. 6 is a top plan view thereof; FIG. 7 is a bottom plan view thereof; and, FIG. 8 is a bottom, rear and left side perspective view thereof.

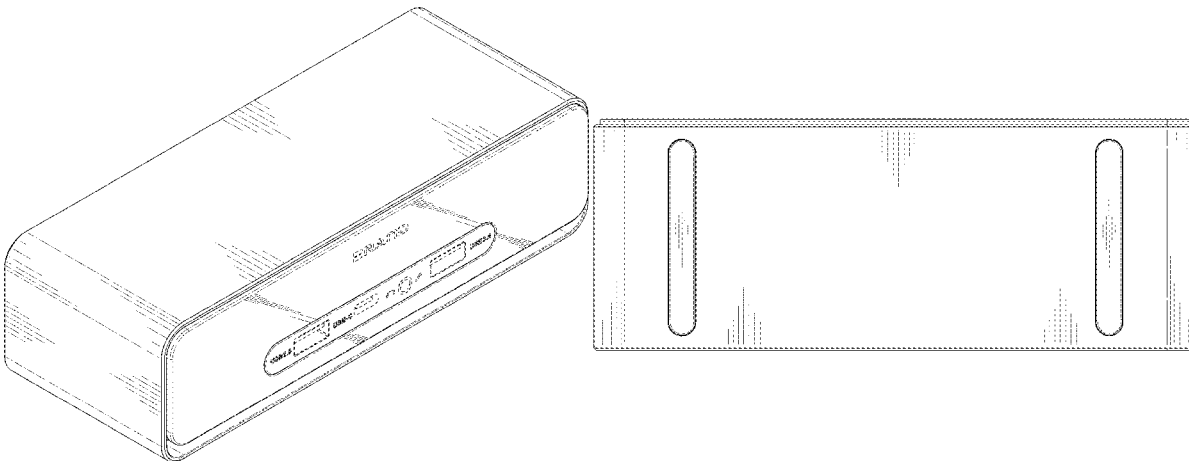
The broken lines in the drawings illustrate the portions of the docking station which form no part of the claimed design.

1 Claim, 8 Drawing Sheets

(56) **References Cited**

U.S. PATENT DOCUMENTS

D271,202 S * 11/1983 Endt D14/368
D357,684 S * 4/1995 Moreland D14/240



(56)

References Cited

U.S. PATENT DOCUMENTS

D711,821	S	*	8/2014	Wang	D13/108
D719,862	S	*	12/2014	Fiedler	D10/106.95
D721,738	S	*	1/2015	Hochman	D14/496
D763,262	S	*	8/2016	Hallar	D14/434
D763,811	S	*	8/2016	Park	D14/125
D768,129	S	*	10/2016	Chen	D14/356
D780,137	S	*	2/2017	Tallqvist	D14/125
D782,476	S	*	3/2017	Yamazaki	D14/358
D794,028	S	*	8/2017	Lin	D14/433
D820,227	S	*	6/2018	Li	D14/125
D839,264	S	*	1/2019	Nagano	D14/301
D859,415	S	*	9/2019	Liao	D14/434
D864,206	S	*	10/2019	Wang	D14/433
D864,890	S	*	10/2019	Henning	D14/172
D874,403	S	*	2/2020	Canizares	D13/137.2
D879,739	S	*	3/2020	McWilliam	D14/188
D900,110	S	*	10/2020	Wu	D14/433
D903,665	S	*	12/2020	Yoon	D14/349
D911,969	S	*	3/2021	Canizares	D13/137.2
D914,023	S	*	3/2021	Yang	D14/434
D920,980	S	*	6/2021	Zhang	D14/433
D926,188	S	*	7/2021	Zhang	D14/433
11,063,398	B2	*	7/2021	Zhang	H01R 12/75
D928,787	S	*	8/2021	Zhang	D14/433
D929,405	S	*	8/2021	Zhang	D14/433
D932,456	S	*	10/2021	Paterson	D14/172
D937,836	S	*	12/2021	Chin	D14/433
D937,839	S	*	12/2021	Wu	D14/434
D937,840	S	*	12/2021	Wu	D14/434

OTHER PUBLICATIONS

4URPC MacBook Pro Docking Station. (Online) 12 pgs. Available Oct. 10, 2020. [Retrieved Apr. 27, 2021] https://www.amazon.com/4URPC-MacBook-Docking-Station-Monitor/dp/B08K2P634G/ref=sr_1_6?dchild=1&keywords=4URPC&qid=1619537864&sr=8-6.*

Docking Station-UtechSmart (Online) 10 pg. Available Oct. 29, 2020 [retrieved Jan. 10, 2022] https://www.amazon.com/Docking-Station-Utechsmart-Compatible-Ethernet/dp/B08M5K925M?ref_ast_sto_dp.*

* cited by examiner

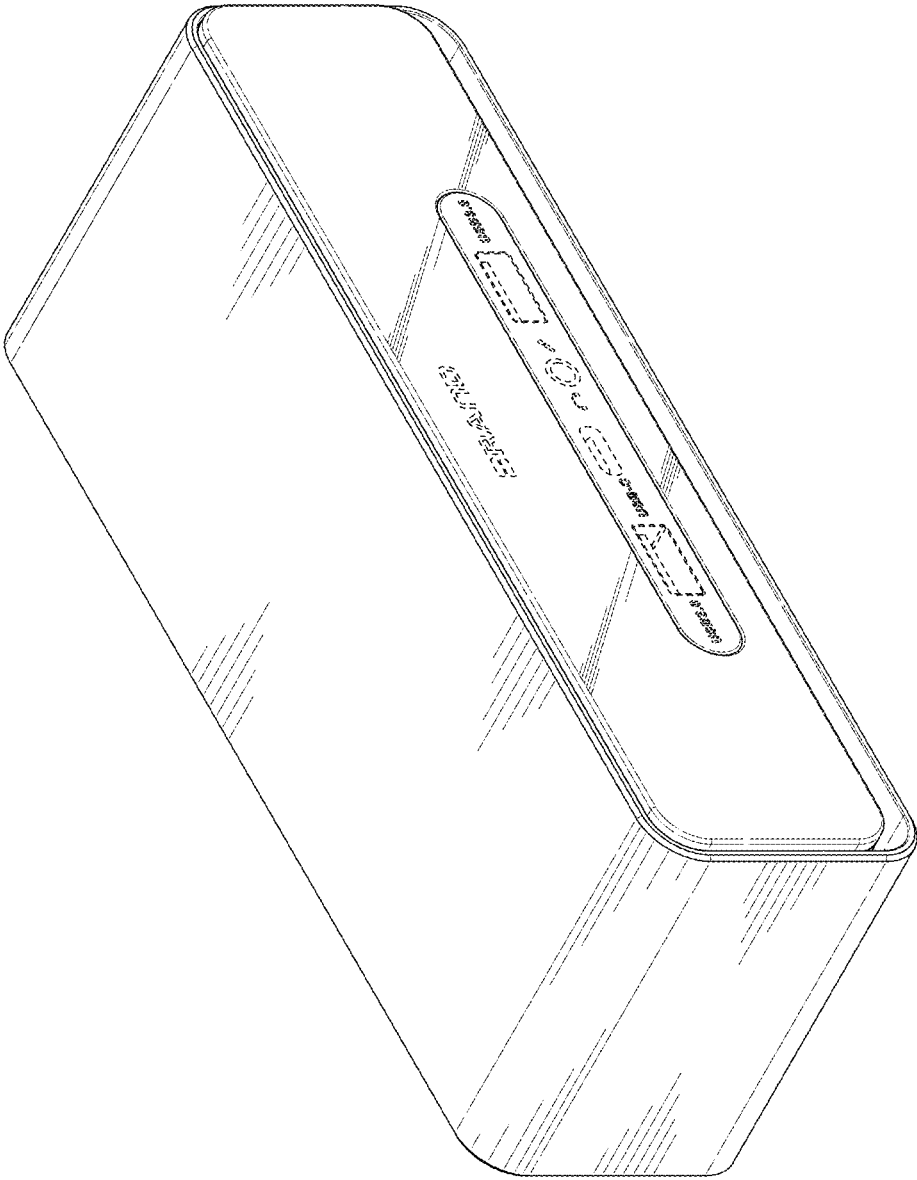


FIG. 1

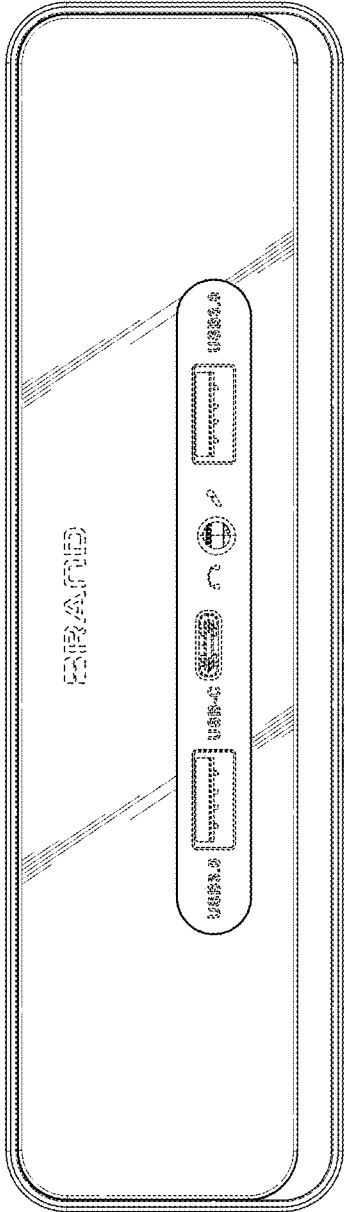


FIG. 2

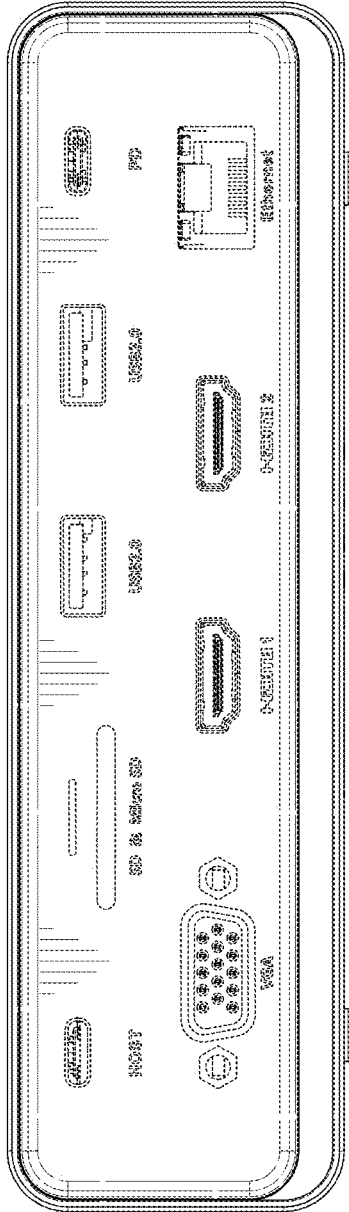


FIG.3

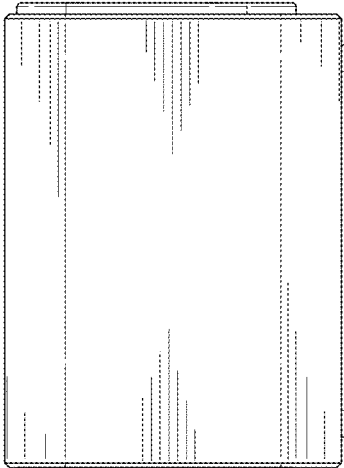


FIG.4

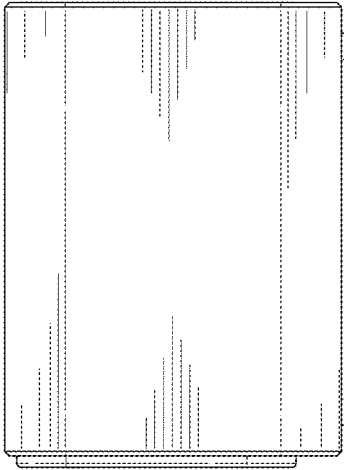


FIG.5

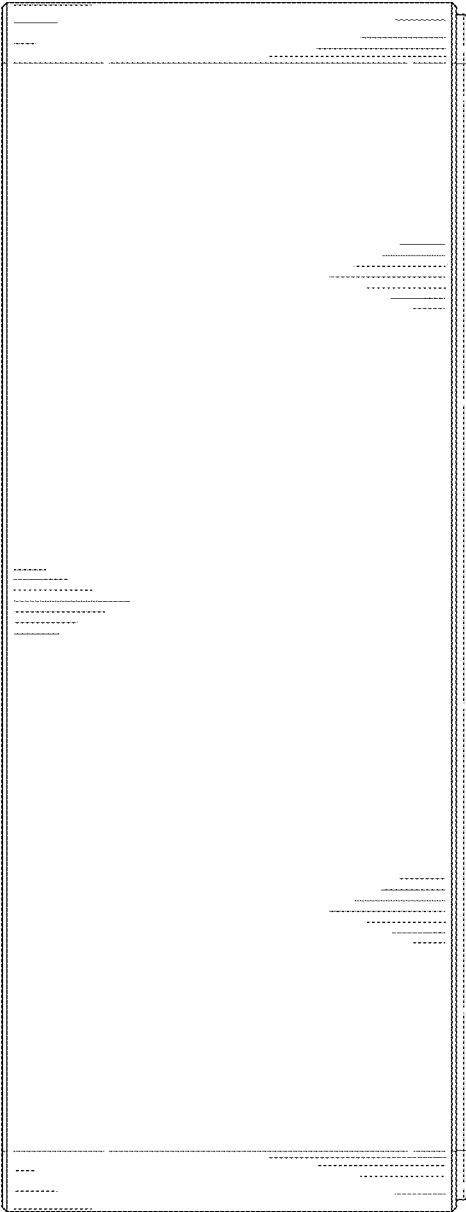


FIG.6

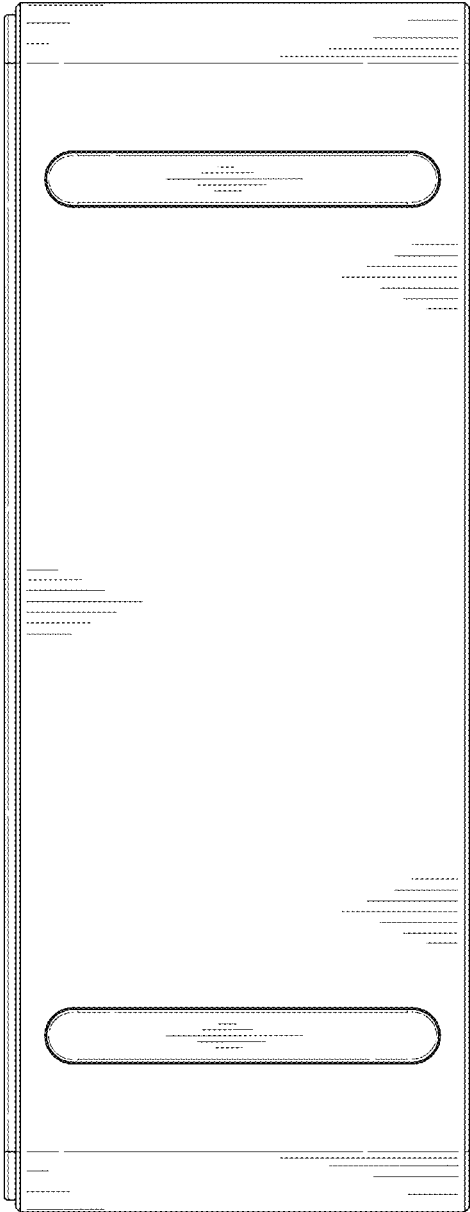


FIG.7

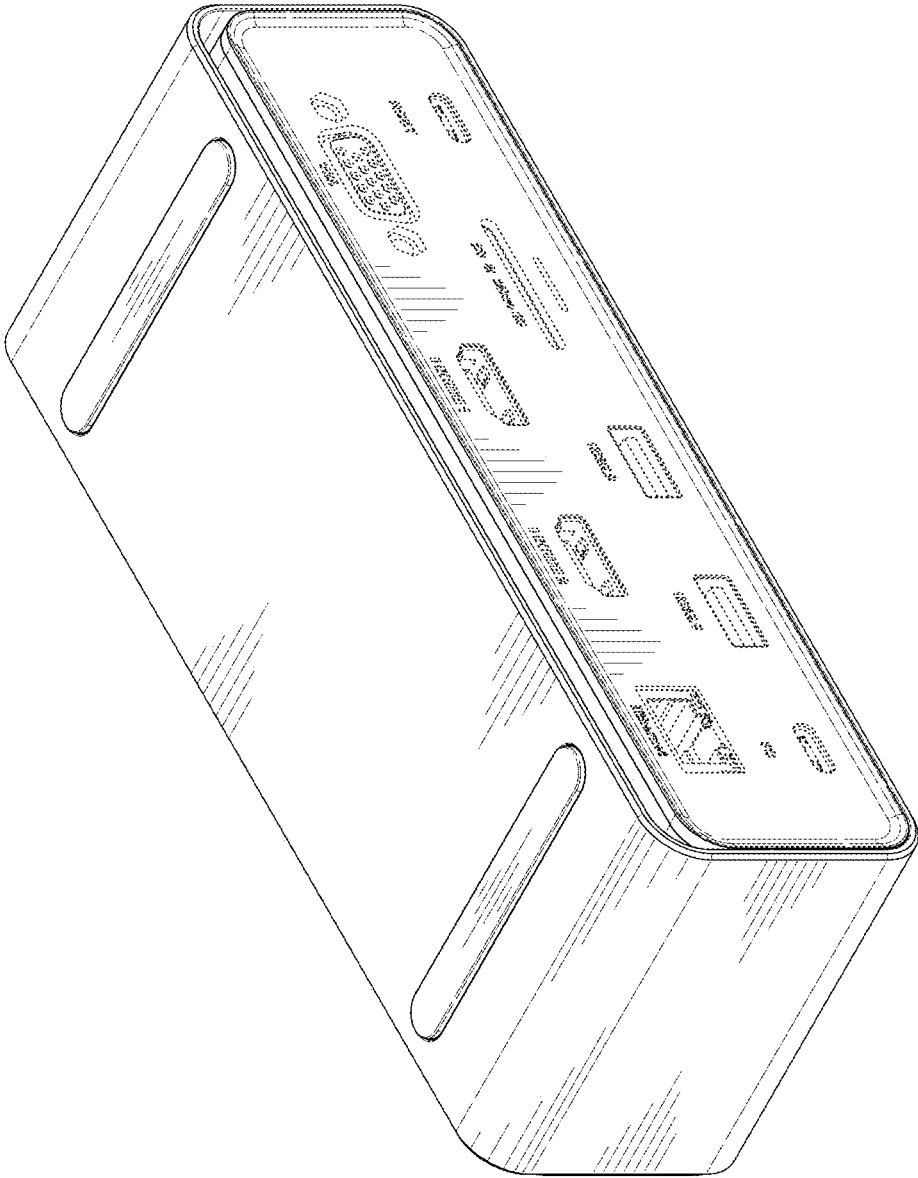


FIG.8