



US00D613407S

(12) **United States Design Patent**  
**Baynham**

(10) **Patent No.:** **US D613,407 S**

(45) **Date of Patent:** **\*\* Apr. 6, 2010**

(54) **MECHANICAL RASP**

2009/0157119 A1\* 6/2009 Hale ..... 606/247

(75) Inventor: **Matthew G. Baynham**, Jupiter, FL (US)

\* cited by examiner

(73) Assignee: **Atlas Spine, Inc.**, Jupiter, FL (US)

*Primary Examiner*—Ian Simmons

*Assistant Examiner*—Wan Laymon

(\*\*) Term: **14 Years**

(74) *Attorney, Agent, or Firm*—McHale & Slavin, P.A.

(21) Appl. No.: **29/322,453**

(57) **CLAIM**

(22) Filed: **Aug. 5, 2008**

The ornamental design for a mechanical rasp, as shown and described.

(51) **LOC (9) Cl.** ..... **24-02**

(52) **U.S. Cl.** ..... **D24/146; D24/133; D24/147**

(58) **Field of Classification Search** ..... D24/133,  
D24/135, 140, 144, 146–147; 606/79, 84–85,  
606/160, 131, 161, 170, 86 R, 39, 51–52,  
606/45, 205, 83, 171, 177; D28/57, 59  
See application file for complete search history.

**DESCRIPTION**

FIG. 1 is a top and side perspective view of the mechanical rasp of the instant invention shown in an extended position;

FIG. 2 is a top view thereof;

FIG. 3 is a right side view thereof;

FIG. 4 is a bottom view thereof;

FIG. 5 is a left side view thereof;

FIG. 6 is a front view thereof;

FIG. 7 is a rear view thereof; and

FIG. 8 is an enlarged fragmentary top perspective view of the rasp end shown in a retracted position; and,

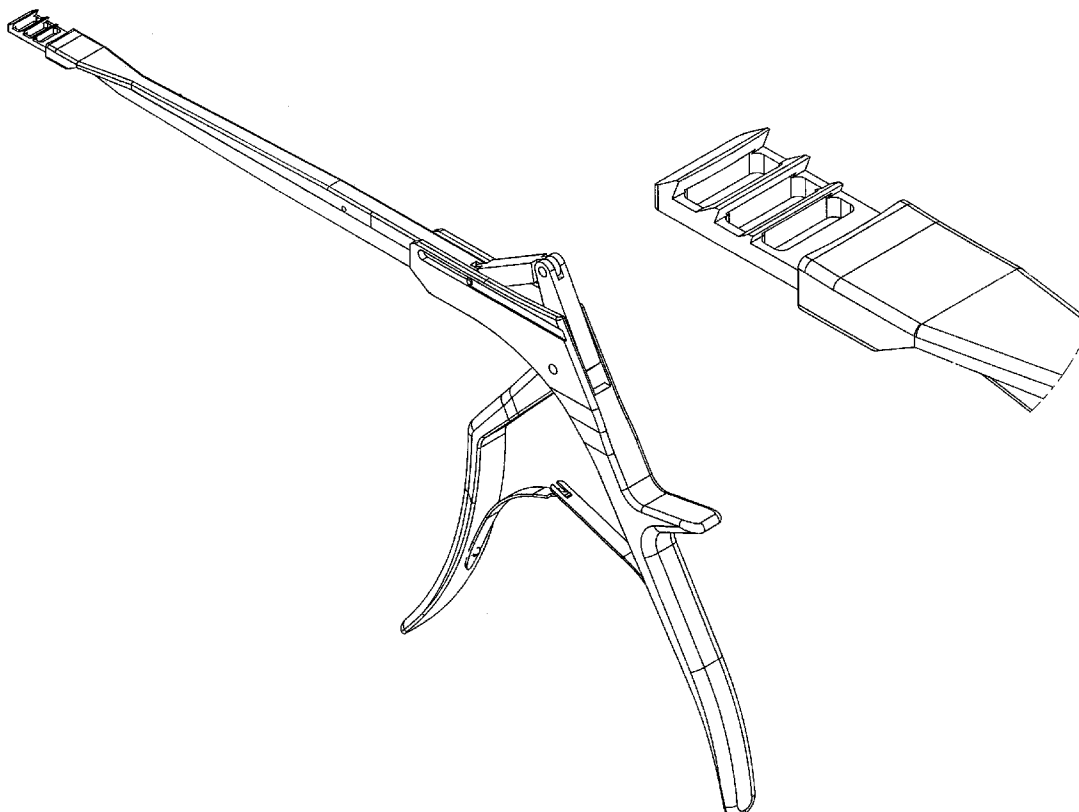
FIG. 9 is an enlarged fragmentary top perspective view of the rasp end shown in an extended position.

(56) **References Cited**

**U.S. PATENT DOCUMENTS**

D284,219	S *	6/1986	Green et al.	.....	D24/145
5,112,346	A *	5/1992	Hiltebrandt et al.	.....	606/170
5,649,947	A *	7/1997	Auerbach et al.	.....	606/170
5,984,939	A *	11/1999	Yoon	.....	606/170
6,575,978	B2 *	6/2003	Peterson et al.	.....	606/83
7,569,057	B2 *	8/2009	Liu et al.	.....	606/79
7,578,819	B2 *	8/2009	Bleich et al.	.....	606/53
2006/0129160	A1 *	6/2006	Liu et al.	.....	606/85
2007/0112366	A1 *	5/2007	Welborn et al.	.....	606/170

**1 Claim, 2 Drawing Sheets**



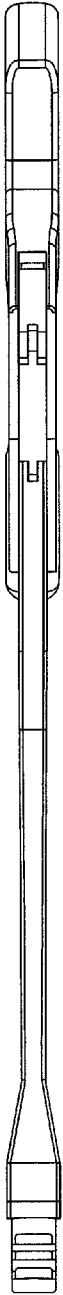


Figure 4

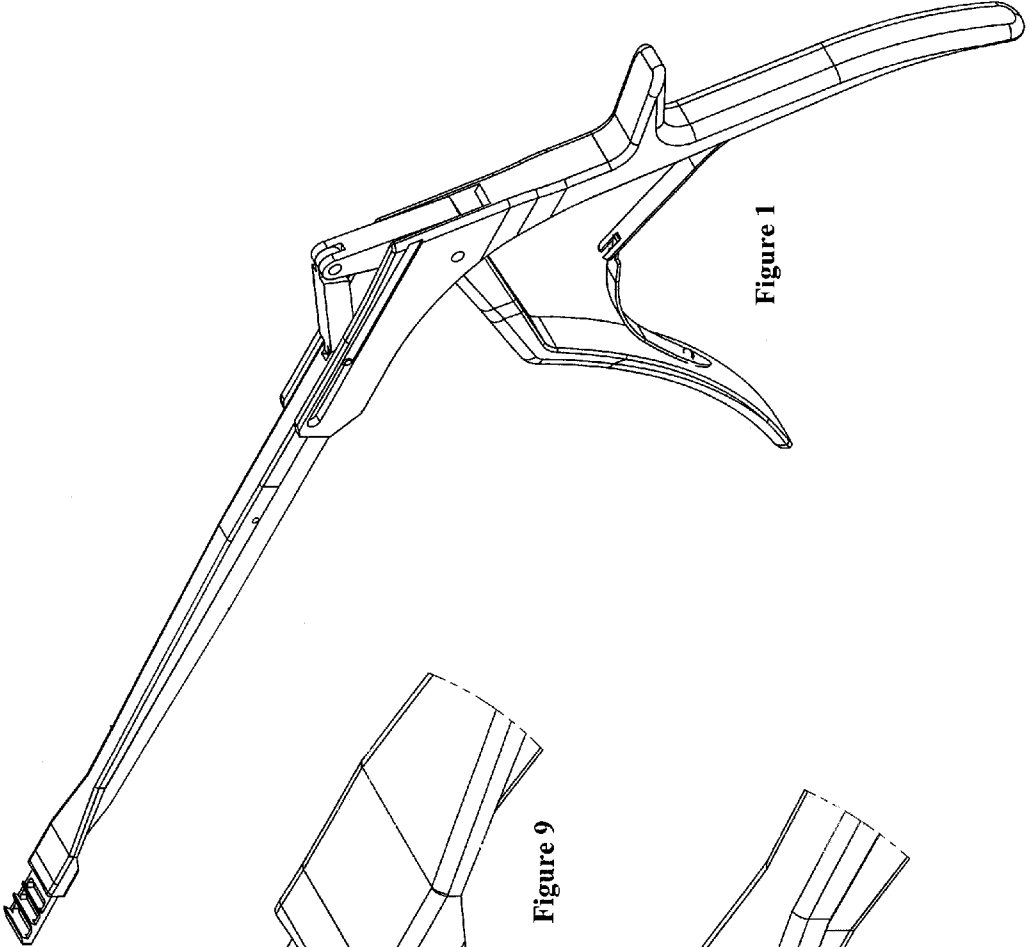


Figure 1

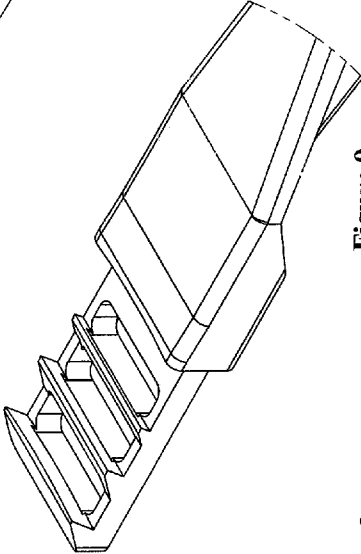


Figure 9

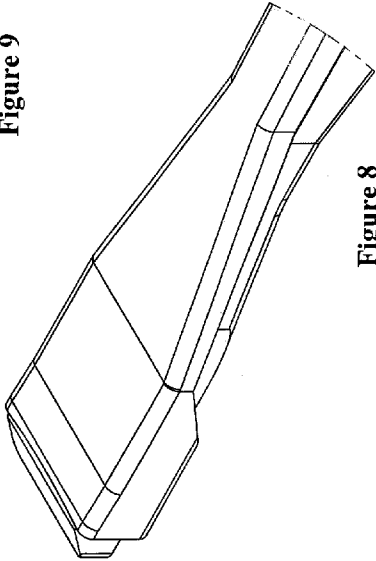


Figure 8

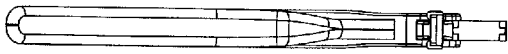


Figure 6

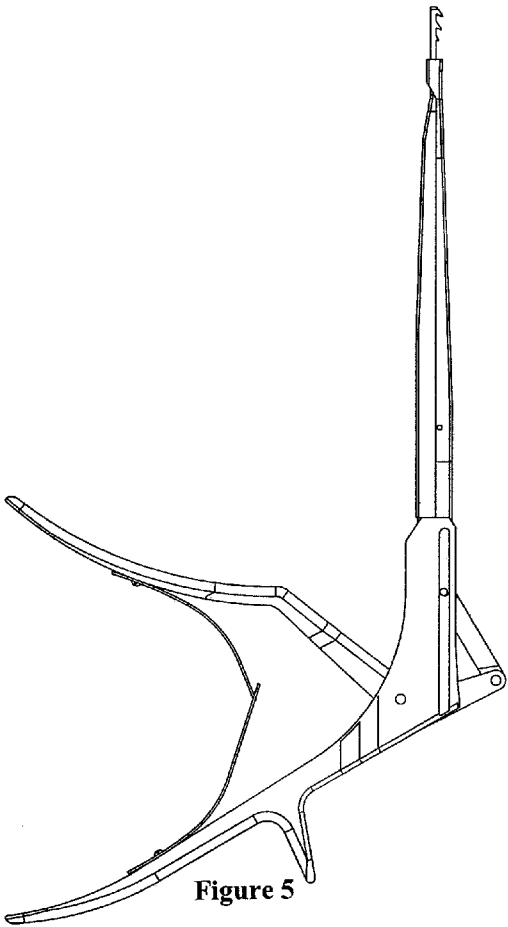


Figure 5

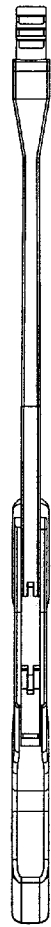


Figure 2

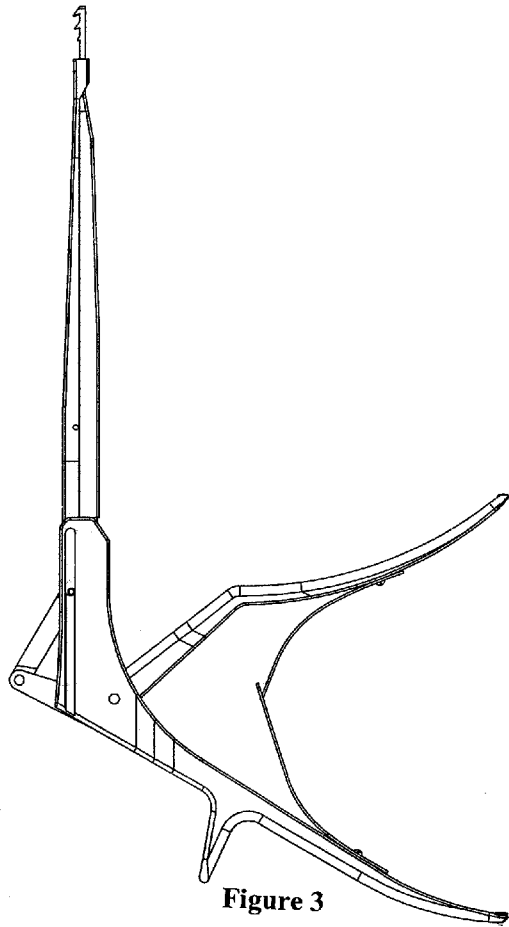


Figure 3

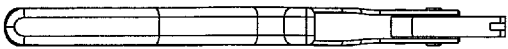


Figure 7