



US00D619452S

(12) **United States Design Patent**
Ollila

(10) **Patent No.:** **US D619,452 S**

(45) **Date of Patent:** **** *Jul. 13, 2010**

(54) **MOUNT**

(75) Inventor: **David J. Ollila**, Marquette, MI (US)

(73) Assignee: **V. I. O. Inc.**, Marquette, MI (US)

(*) Notice: This patent is subject to a terminal disclaimer.

(**) Term: **14 Years**

(21) Appl. No.: **29/280,579**

(22) Filed: **May 31, 2007**

(51) **LOC (9) Cl.** **08-08**

(52) **U.S. Cl.** **D8/396**

(58) **Field of Classification Search** D8/356,
D8/371, 394-396; 24/570; 248/74.2, 215,
248/227.1, 49, 300, 301, 316.7, 51, 489;
D19/65, 56

See application file for complete search history.

(56) **References Cited**

U.S. PATENT DOCUMENTS

3,177,460 A * 4/1965 Downey 439/136
3,778,537 A * 12/1973 Miller 174/138 R

D299,213 S * 1/1989 Puntillo D8/395
D306,553 S * 3/1990 Rumpel D8/395
5,642,557 A * 7/1997 Clews 24/339
D440,005 S * 4/2001 Blanton D26/138
D483,654 S * 12/2003 Taylor D8/356
D506,385 S * 6/2005 Brown D8/396
D531,019 S * 10/2006 Plumer D8/396
D537,331 S * 2/2007 Hill D8/395
D586,649 S * 2/2009 Fleischman D8/396

* cited by examiner

Primary Examiner—T. Chase Nelson

Assistant Examiner—John Windmuller

(74) *Attorney, Agent, or Firm*—Dobrusin & Thennisch PC

(57) **CLAIM**

The ornamental design for a mount, as shown and described.

DESCRIPTION

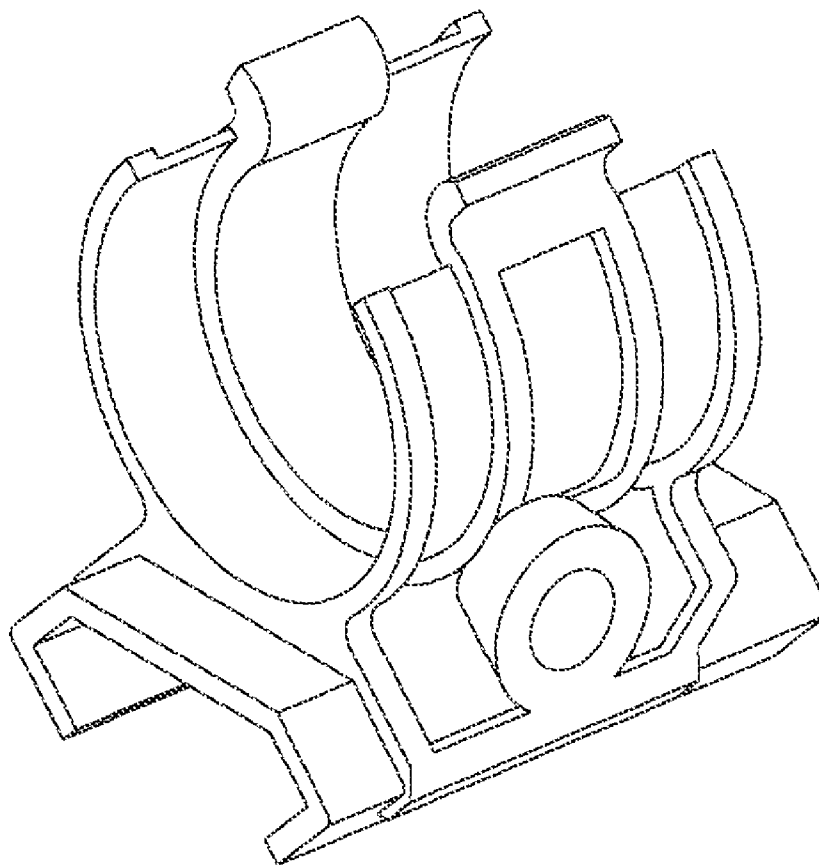
FIG. 1 is a perspective view of a mount showing my new design;

FIG. 2 is a side elevation view thereof;

FIG. 3 is a front elevation view thereof; and,

FIG. 4 is a top plan view thereof.

1 Claim, 1 Drawing Sheet



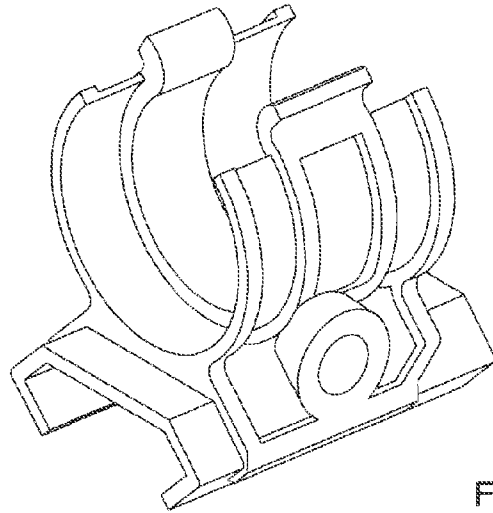


Fig-1

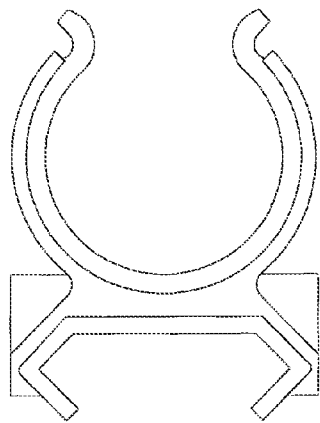


Fig-2

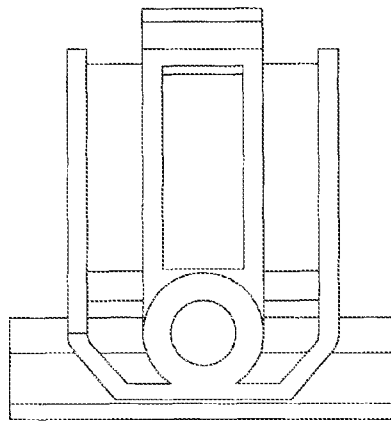


Fig-3

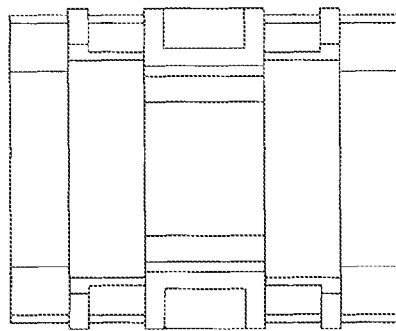


Fig-4