



(22) Date de dépôt/Filing Date: 2005/03/21

(41) Mise à la disp. pub./Open to Public Insp.: 2006/09/21

(51) Cl.Int./Int.Cl. *F16B 13/08* (2006.01)

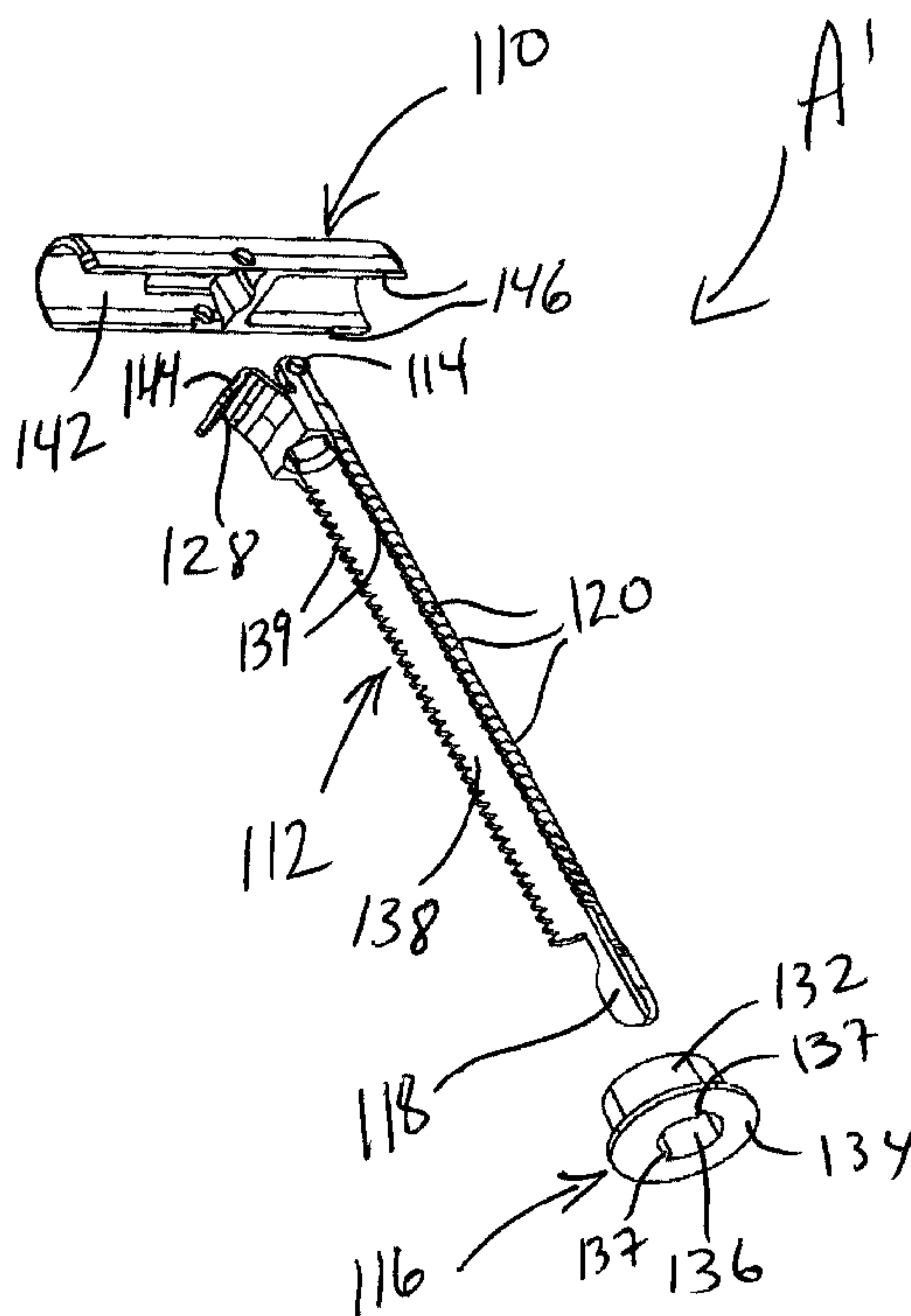
(71) Demandeur/Applicant:
COBRA FIXATIONS CIE LTEE. - COBRA ANCHORS
CO. LTD., CA

(72) Inventeurs/Inventors:
MCDUFF, PIERRE, CA;
POLLAK, ALEXANDRE, CA;
NGUYEN, LANG, CA

(74) Agent: BCF LLP

(54) Titre : TIGE D'ANCRAGE POUR PIECE DE FIXATION

(54) Title: ANCHOR ASSEMBLY FOR FASTENER



(57) Abrégé/Abstract:

An anchor assembly for walls comprises a toggle member and a strap member pivotally mounted together, and a locking member. In a first position thereof, the toggle member is aligned with the strap member for insertion through the wall, whereas in a second position thereof, the toggle member extends behind the wall at an angle relative to the strap member which extends from the toggle member through the hole in the wall. The locking member is adapted to be displaced along the strap member until it engages the wall and to be locked on the strap member to prevent the locking member from displacing away from the toggle member. Therefore, the locking member and the toggle member are connected by the strap member and imprison the wall by abutting respectively the visible and hidden sides thereof. A fastener introduced through the locking member and the wall threadably engages an opening defined in the toggle member.

ABSTRACT OF THE DISCLOSURE

An anchor assembly for walls comprises a toggle member and a strap member pivotally mounted together, and a locking member. In a first position thereof, the toggle member is aligned with the strap member for insertion through the wall, whereas in a second position thereof, the toggle member extends behind the wall at an angle relative to the strap member which extends from the toggle member through the hole in the wall. The locking member is adapted to be displaced along the strap member until it engages the wall and to be locked on the strap member to prevent the locking member from displacing away from the toggle member. Therefore, the locking member and the toggle member are connected by the strap member and imprison the wall by abutting respectively the visible and hidden sides thereof. A fastener introduced through the locking member and the wall threadably engages an opening defined in the toggle member.

TITLE OF THE INVENTION

ANCHOR ASSEMBLY WITH TOGGLE FOR FASTENER

FIELD OF THE INVENTION

5 The present invention relates to wall anchors and, more particularly, to a wall anchor for use typically in friable materials, e.g. gypsum.

BACKGROUND OF THE INVENTION

10 U.S. Patent No. 4,294,156 issued on October 13, 1981 to McSherry et al. discloses an anchor assembly for retaining an elongated fastener within an opening defined in a wall. The anchor assembly includes a channel member acting as a toggle, and a pair of straps extending from the channel member and being pivotally mounted thereto. A pulling ring is provided at the ends of the straps opposite their ends connected to the channel member. A collar is engaged around the two straps and can be displaced, ratchet-type, towards the channel member. A hole is first defined through the wall and the channel member, oriented parallel to the straps is inserted through the hole such as to extend behind the wall, the channel member adopting once having passed the opening in the wall an orientation generally perpendicular to the straps and lying against the hidden surface of the wall after the straps have been pulled on via the pulling ring. The collar is then displaced along the straps and towards the wall until it firmly abuts the visible surface of the wall, the wall being imprisoned between the channel member and the collar which are connected by the straps. The pulling ring and the sections of the straps which extend forwardly of the collar can then be cut and a fastener can then be engaged through the collar and through a threaded opening defined in the channel member thereby allowing the fastener to be secured to the wall and to hold an article thereto.

20 U.S. Patents No. 4,075,924 issued on February 28, 1978 and No. 4,650,386 issued on March 17, 1987, both to McSherry et al., are also of interest.

SUMMARY OF THE INVENTION

It is therefore an aim of the present invention to provide an improved anchor assembly for retaining an elongated fastener within an opening defined in a wall.

5 It is a further aim of the present invention to provide an improved anchor assembly for retaining an elongated fastener within an opening defined in a wall, such an anchor assembly being capable of being used with walls of various thicknesses.

Therefore, in accordance with the present invention, there is
10 provided an anchor assembly for walls, comprising a toggle member, a strap member pivotally mounted to said toggle member and provided with a spring member, and a locking member slidable along said strap member, said toggle member being displaceable between first and second positions thereof, wherein in said first position said toggle member is substantially aligned with
15 said strap member for insertion through the wall while biasedly engaging said spring member, wherein said toggle member once behind the wall is displaced towards said second position by said spring member, and wherein in said second position said toggle member extends behind the wall at an angle relative to said strap member with said strap member extending from
20 said toggle member through the hole in the wall, said locking member being adapted to be displaced along said strap member and towards the wall and said toggle member, locking means being provided for preventing said locking member from being displaced away from said toggle member, whereby said locking member and said toggle member are connected by a distal section of
25 said strap member and imprison the wall by abutting respectively the visible and hidden sides thereof, a proximal section of said strap member located forwardly of said locking member being adapted to be cut off, said toggle member being adapted to be engaged by a fastener introduced through said locking member and through the hole in the wall.

Also in accordance with the present invention, there is provided an anchor assembly for walls, comprising a toggle member, a strap member pivotally mounted to said toggle member and provided with a single strap, and a locking member slidable along said single strap, said toggle member
5 being displaceable between first and second positions thereof, wherein in said first position said toggle member is substantially aligned with said strap member for insertion through the wall, and wherein in said second position said toggle member extends behind the wall at an angle relative to said strap member with said strap member extending from said toggle member through
10 the hole in the wall, said locking member being adapted to be displaced along said single strap and towards the wall and said toggle member, locking means being provided for preventing said locking member from being displaced away from said toggle member, whereby said locking member and said toggle member are connected by a distal section of said strap member
15 and imprison the wall by abutting respectively the visible and hidden sides thereof, a proximal section of said strap member located forwardly of said locking member being adapted to be cut off, said toggle member being adapted to be engaged by a fastener introduced through said locking member and through the hole in the wall.

20 Further in accordance with the present invention, there is provided an anchor assembly for walls, comprising a toggle member, a strap member pivotally mounted to said toggle member, and a locking member slidable along said strap member, said toggle member being displaceable between first and second positions thereof, wherein in said first position said
25 toggle member can be engaged and driven by a rotatable tool such that said toggle member cuts a hole in a wall and extends through the wall, and wherein in said second position said toggle member extends behind the wall at an angle relative to said strap member with said strap member extending from said toggle member through the hole in the wall, said locking member
30 being adapted to be displaced along said strap member and towards the wall and said toggle member, locking means being provided for preventing said locking member from being displaced away from said toggle member,

whereby said locking member and said toggle member are connected by a distal section of said strap member and imprison the wall by abutting respectively the visible and hidden sides thereof, a proximal section of said strap member located forwardly of said locking member being adapted to be cut off, said toggle member being adapted to be engaged by a fastener introduced through said locking member and through the hole in the wall.

BRIEF DESCRIPTION OF THE DRAWINGS

Having thus generally described the nature of the invention, reference will now be made to the accompanying drawings, showing by way of illustration a preferred embodiment thereof, and in which:

Fig. 1 is a perspective view of an anchor assembly in accordance with a first embodiment of the present invention, and showing a toggle member of the anchor assembly in a first insertion position thereof;

Fig. 2 is an exploded perspective view of the anchor assembly of Fig. 1, and showing the toggle member in a second retention position thereof;

Fig. 3 is a perspective view of the anchor assembly of Fig. 1 with the toggle member shown in the second position thereof;

Figs. 4 and 5 are top plan views of the anchor assembly of Fig. 1 with the toggle member shown respectively in the first and second positions thereof;

Figs. 6 and 7 are respectively side elevational and rear elevational views of the anchor assembly of Fig. 5;

Figs. 8 to 13 are various views of a toggle member, a strap member and a locking member of the anchor assembly;

Fig. 14 is an exploded perspective view of an anchor assembly in accordance with a second embodiment of the present invention, and

showing a toggle member of the anchor assembly in a retention position thereof;

Fig. 15 is a perspective view of the anchor assembly of Fig. 14, and with the toggle member shown in the retention position thereof; and

5 Fig. 16 is a further perspective view of the anchor assembly of Fig. 14 and with the toggle member shown in the second position thereof.

DESCRIPTION OF THE PREFERRED EMBODIMENTS

10 Figs. 1 to 3 illustrate an anchor assembly A in accordance with the present invention, which is adapted to be mounted to a wall W for use with a fastener (not shown), such as a screw. The anchor assembly A comprises a cutting and retention member 10 hereinafter referred to as the toggle member 10, a strap member 12 pivotally connected at pivot 14 to the toggle member 10, and a locking member, such as collar 16. The strap member 12 is thus pivotally connected at its rear end to the toggle member 10 and is provided at its front end with a grip member 18. The strap member 12, preferably made of plastic, is of substantially semi-circular cross-section and defines a series of ratchet teeth 20 on an outside surface thereof. The collar 16 is displaceable along the strap member 12, that is only towards the toggle member 10, the collar 16 including inner locking elements 21 (Figs. 4 to 6) which co-act with the ratchet teeth 20 in order to prevent the collar 16 from being displaced away from the toggle member 10.

25 The toggle member 10 defines at a leading, i.e. rear, end thereof a threaded cutting member 22 defining a pointed end and cutting edges 24 for cutting through a friable wall W material when the toggle member 10 is rotated using, for instance, a screwdriver while the toggle member 10 is in its position shown in Fig. 1, that is in a generally aligned position thereof with respect to the strap member 12. In fact, the toggle member 10 does not have to be in the aligned position at least during insertion of the threaded cutting member 22 into the wall W, and generally

until the forward end of the strap member 12 abuts, or is close to, the visible side of the wall W.

Accordingly, a proximal, i.e. trailing, end of the toggle member 10 defines a cruciform recess 26 adapted to be engaged by a Phillips-type screwdriver. It is understood that other types of female recesses or even male extensions, engageable respectively by suitable screwdriver bits or by suitable rotatable sockets, could also be used.

A spring-loaded tab 28 is provided at the rear, i.e. leading, end of the strap member 12 such as to be engaged by the toggle member 10 when the latter is aligned, as in Fig. 1, with the strap member 12, such that once the toggle member 10 has been inserted completely through the wall W, the spring-loaded tab 28 biasedly releases the toggle member 10 to its transversal retention position shown in Fig. 2. The toggle member 10 also includes pointed teeth 30 adapted to engage the hidden side of the wall W when the strap member 12 is pulled on.

Accordingly, when it is desired to install the anchor assembly A in the wall W, the toggle member 10 is substantially brought into alignment with the strap member 12, as shown in Fig. 1. Then, a suitable tool, such as a screwdriver or a power driven screwdriver bit, is engaged in the cruciform recess 26 of the toggle member 10 and is then rotated such that the cutting member 22 of the toggle member 10 defines a hole in the wall W. Once the toggle member 10 has been inserted completely through the wall W, the spring-loaded tab 28 of the strap member 12 swings the toggle member 10 to its transversal position shown in Figs. 2 and 3, that is generally perpendicular to the strap member 12.

The strap member 12 is then pulled away from the wall W, such that the pointed teeth 30 of the toggle member 10 engage the hidden surface of the wall W. The collar 16 is then slid towards the wall W along the ratchet teeth 20 of the strap member 12 that is until a skirt 32 of the collar 16 is inserted in the hole defined in the opening and a flange 34 of the collar 16

abuts the visible side of the wall W. The grip member 18 is held onto by the user while the collar 16 is displaced towards the wall W. The collar 16 is slid longitudinally along the strap member 12, and without being able to rotate with respect to the strap member 12 as a result of the non-circular opening 36
5 defined in the collar 16, which defines shoulders 37 (Figs. 1 to 3) that are engaged by the longitudinal edges 39 of the strap member 12 as best seen in Fig. 1.

Once the wall W is firmly imprisoned between the toggle member 10 and the collar 16, the grip member 18 and the section of the strap member 12 extending between the grip member 18 and the flange 34 of the collar 16, can be discarded, for instance, by cutting or, as in the present embodiment, by bending as the strap member 12 is provided with weakened areas which allow the strap member 12 to be separated in two. The remaining portion of the strap 12 thus connects the toggle member 10 to the
10 collar 16 within the hole in the wall W.
15

A fastener can then be engaged through the central opening 36 defined in the collar 16, within a semi-circular channel 38 defined longitudinally along the strap member 12, and through an opening 40 defined in the toggle member 10. The opening 40 in the toggle member 10 may be,
20 for instance, tapped by the fastener such that the fastener becomes firmly secured to the anchor assembly A which itself is firmly secured to the wall W, as explained hereinabove. If the opening 40 is provided with a machine tap, a bolt can be used as the fastener. If the fastener is provided at its head, for instance, with a hook, the anchor assembly A can be used in a ceiling.

25 Also in accordance with the present invention, Figs. 14 to 16 illustrate a variant anchor assembly A', which is similar to the anchor assembly A of Fig. 1, whereby in the following description and drawings that pertain thereto, components of anchor assembly A' which are identical in function and identical or similar in structure to corresponding components of
30 anchor assembly A of Fig. 1 (and Figs. 2 to 13) bear the same reference as in Fig. 1 (and Figs. 2 to 13), but are tagged with the prefix "1" and are thus in

the hundreds with the last two digits thereof being identical to the reference numerals of corresponding components of anchor assembly A. New components (or components not identified for anchor assembly A) provided in anchor assembly A' start at reference numeral 142.

5 Generally, both anchor assemblies A and A' are very similar, except for their toggle members, as explained hereinbelow. The anchor assembly A' is also adapted to be mounted to a wall for use with a fastener (not shown), such as a screw. The anchor assembly A' comprises a retention member 110 hereinafter referred to as the toggle member 110, a strap member 112 pivotally connected at pivot 114 to the toggle member 110, and
10 a locking member, such as collar 116. The strap member 112 is thus pivotally connected at its rear, leading, end to the toggle member 110 and is provided at its front end with a grip member 118.

 The strap member 112, preferably made of plastic, is of
15 substantially semi-circular cross-section and defines a series of ratchet teeth 120 on an outside surface thereof. The collar 116 is displaceable along the strap member 112, that is only towards the toggle member 110, the collar 116 including inner locking elements (not shown) which co-act with the ratchet teeth 120 in order to prevent the collar 116 from being displaced away from
20 the toggle member 110, i.e. from being retracted back towards the grip member 118.

 The toggle member 110, as opposed to the toggle member 10 of the anchor assembly A of Fig. 1, does not define at a leading end thereof a threaded cutting member. Therefore, in the case of the anchor assembly A', a
25 hole must be formed, e.g. drilled, through the wall before the anchor assembly A' can be mounted thereto, as will be explained in more detail hereinafter. The toggle member 110 is of C-shaped cross-section such that an open side 142 thereof faces the collar 116, when the toggle member 110 is in the transversal retention position thereof shown in Figs. 14 to 16.

A spring-loaded tab 128 is provided at the rear, i.e. leading, end of the strap member 112 such as to be engaged by the toggle member 110 when the latter is aligned with the strap member 112 (this position is generally shown in Fig. 1 with respect to anchor assembly A). Therefore, with the toggle member 110 and the strap member 112 in such a generally aligned insertion position, the toggle member 110 can be inserted through the wall.

Once the toggle member 110 has been introduced completely past the hidden surface of the wall, the spring-loaded tab 128 biasedly releases the toggle member 110 to its transversal retention position shown in Figs. 14 to 16. The tab 128 includes a V-shaped tongue 144 that is forcibly folded or collapsed when the toggle member 110 is brought to the insertion position and that causes, as it plastically returns to its at-rest position (see Figs. 14 to 16) the toggle member 110 to displace to its retention position. Parallel and more importantly co-planar linear edges of the toggle member 110 are adapted to bearably engage the hidden side of the wall when the strap member 112 is pulled on.

Accordingly, when it is desired to install the anchor assembly A' in the wall, a hole is first formed through the wall. The toggle member 110 is then substantially brought into alignment with the strap member 112 and is inserted completely through the wall. The spring-loaded tab 128 of the strap member 112 swings the toggle member 110 to its transversal retention position shown in Figs. 14 to 16, that is generally perpendicular to the strap member 112.

The strap member 112 is then pulled away from the wall, such that the linear edges 146 of the toggle member 110 engage the hidden surface of the wall. The collar 116 is then slid towards the wall and the toggle member 110, along the ratchet teeth 120 of the strap member 112 that is until a skirt 132 of the collar 116 is inserted in the hole defined in the wall opening and a flange 134 of the collar 116 abuts the visible side of the wall. The grip member 118 is held onto by the user while the collar 116 is displaced towards the wall. The collar 116 is slid longitudinally along the strap member 112, and

without being able to rotate with respect to the strap member 112 as a result of the non-circular opening 136 defined in the collar 116, which defines shoulders 137 (Figs. 14 and 15) that are engaged by longitudinal edges 139 of the strap member 112 as best seen in Fig. 15.

5 Once the wall is firmly imprisoned between the toggle member 110 and the collar 116, the grip member 118 and the section of the strap member 112 extending between the grip member 118 and the flange 134 of the collar 116, can be discarded, for instance, by cutting or, as in the present embodiment, by bending as the strap member 112 is provided with weakened
10 areas which allow the strap member 112 to be separated in two. The remaining portion of the strap 112 thus connects the toggle member 110 to the collar 116 within the hole in the wall.

 A fastener can then be engaged through the central opening 136 defined in the collar 116, within a semi-circular channel 138 defined
15 longitudinally along the strap member 112, and through an opening (not shown, but similar to opening 40 in Figs. 1 and 2) defined in the toggle member 110. This opening in the toggle member 110 may be, for instance, tapped by the fastener such that the fastener becomes firmly secured to the anchor assembly A' which itself is firmly secured to the wall, as explained
20 hereinabove. If the opening defines a machine tap, a bolt can be used as the fastener. If the fastener is provided at its head, for instance, with a hook, the anchor assembly A' can be used in a ceiling.

 Although the present invention has been described hereinabove by way of specific embodiments thereof, it can be modified, without departing
25 from the spirit and nature of the subject invention as defined in the appended claims.

WHAT IS CLAIMED IS:

1. An anchor assembly for walls, comprising a toggle member, a strap member pivotally mounted to said toggle member and provided with a spring member, and a locking member slidable along said strap member, said toggle member being displaceable between first and second positions thereof, wherein in said first position said toggle member is substantially aligned with said strap member for insertion through the wall while biasedly engaging said spring member, wherein said toggle member once behind the wall is displaced towards said second position by said spring member, and wherein in said second position said toggle member extends behind the wall at an angle relative to said strap member with said strap member extending from said toggle member through the hole in the wall, said locking member being adapted to be displaced along said strap member and towards the wall and said toggle member, locking means being provided for preventing said locking member from being displaced away from said toggle member, whereby said locking member and said toggle member are connected by a distal section of said strap member and imprison the wall by abutting respectively the visible and hidden sides thereof, a proximal section of said strap member located forwardly of said locking member being adapted to be cut off, said toggle member being adapted to be engaged by a fastener introduced through said locking member and through the hole in the wall.

2. An anchor assembly for walls, comprising a toggle member, a strap member pivotally mounted to said toggle member and provided with a single strap, and a locking member slidable along said single strap, said toggle member being displaceable between first and second positions thereof, wherein in said first position said toggle member is substantially aligned with said strap member for insertion through the wall, and wherein in said second position said toggle member extends behind the wall at an angle relative to said strap member with said strap member extending from said toggle member through the hole in the wall, said locking member being

adapted to be displaced along said single strap and towards the wall and said toggle member, locking means being provided for preventing said locking member from being displaced away from said toggle member, whereby said locking member and said toggle member are connected by a distal section of said strap member and imprison the wall by abutting respectively the visible and hidden sides thereof, a proximal section of said strap member located forwardly of said locking member being adapted to be cut off, said toggle member being adapted to be engaged by a fastener introduced through said locking member and through the hole in the wall.

10

3. An anchor assembly for walls, comprising a toggle member, a strap member pivotally mounted to said toggle member, and a locking member slidable along said strap member, said toggle member being displaceable between first and second positions thereof, wherein in said first position said toggle member can be engaged and driven by a rotatable tool such that said toggle member cuts a hole in a wall and extends through the wall, and wherein in said second position said toggle member extends behind the wall at an angle relative to said strap member with said strap member extending from said toggle member through the hole in the wall, said locking member being adapted to be displaced along said strap member and towards the wall and said toggle member, locking means being provided for preventing said locking member from being displaced away from said toggle member, whereby said locking member and said toggle member are connected by a distal section of said strap member and imprison the wall by abutting respectively the visible and hidden sides thereof, a proximal section of said strap member located forwardly of said locking member being adapted to be cut off, said toggle member being adapted to be engaged by a fastener introduced through said locking member and through the hole in the wall.

15

20

25

30

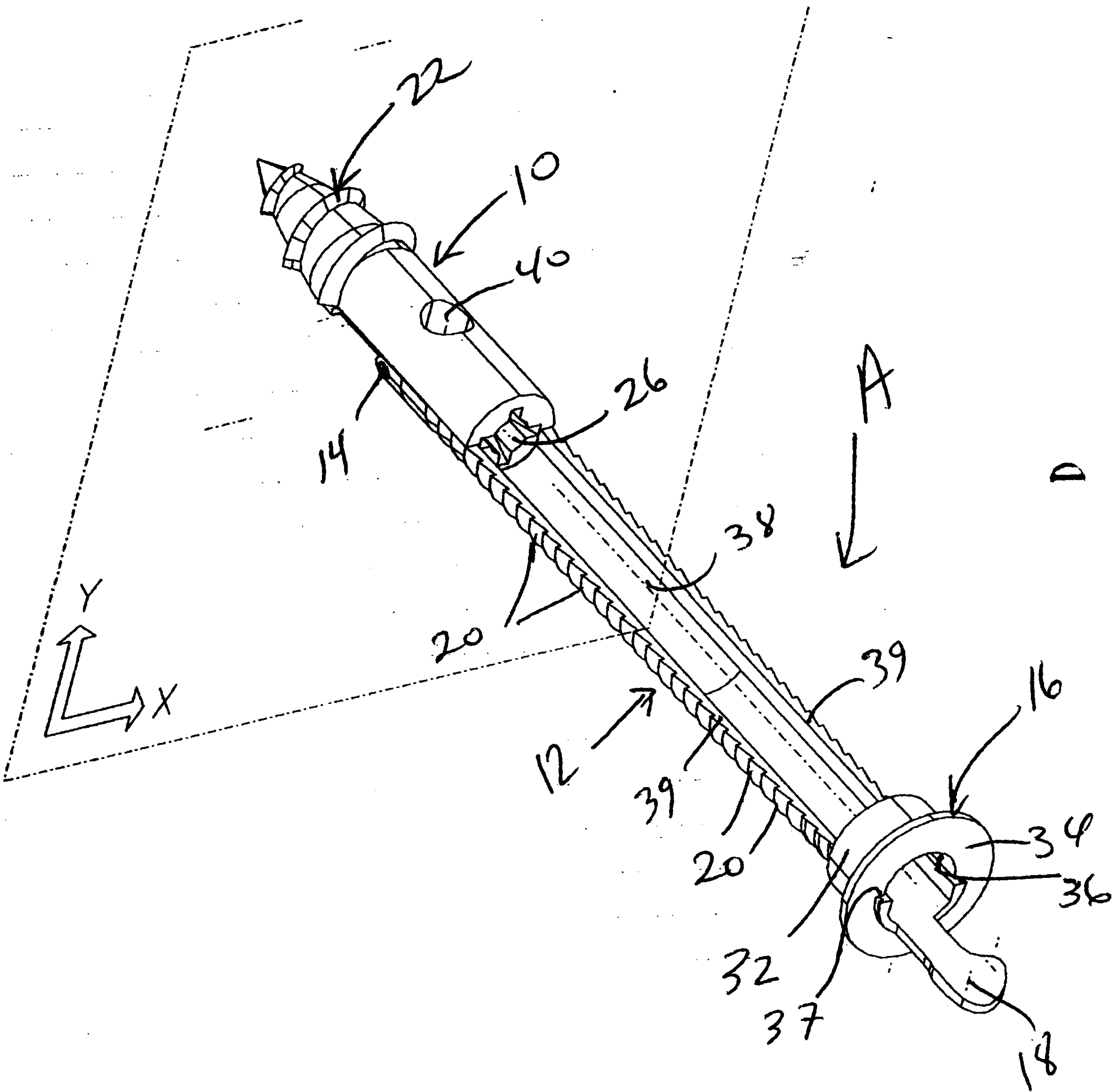


Fig. 1

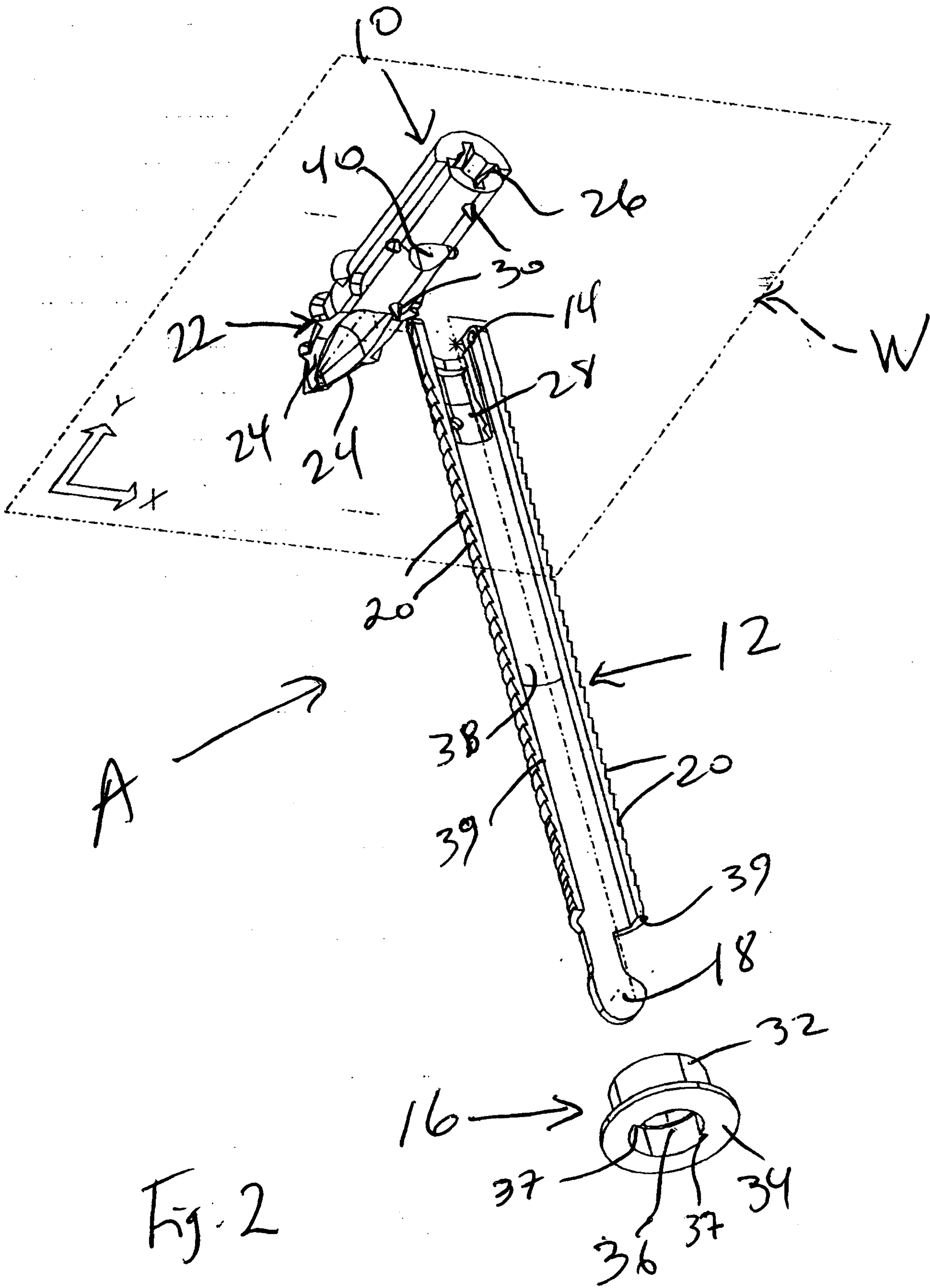


Fig. 2

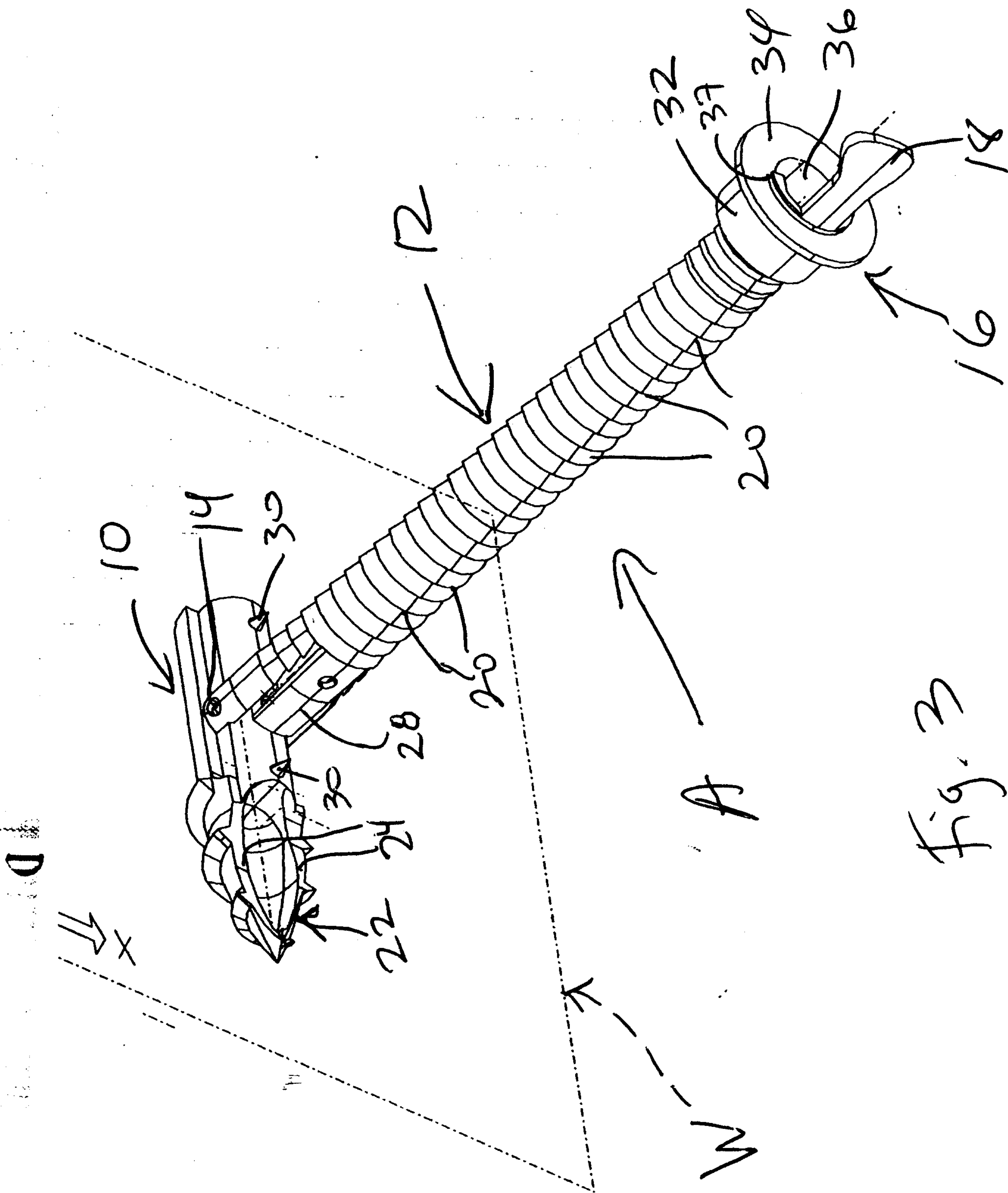
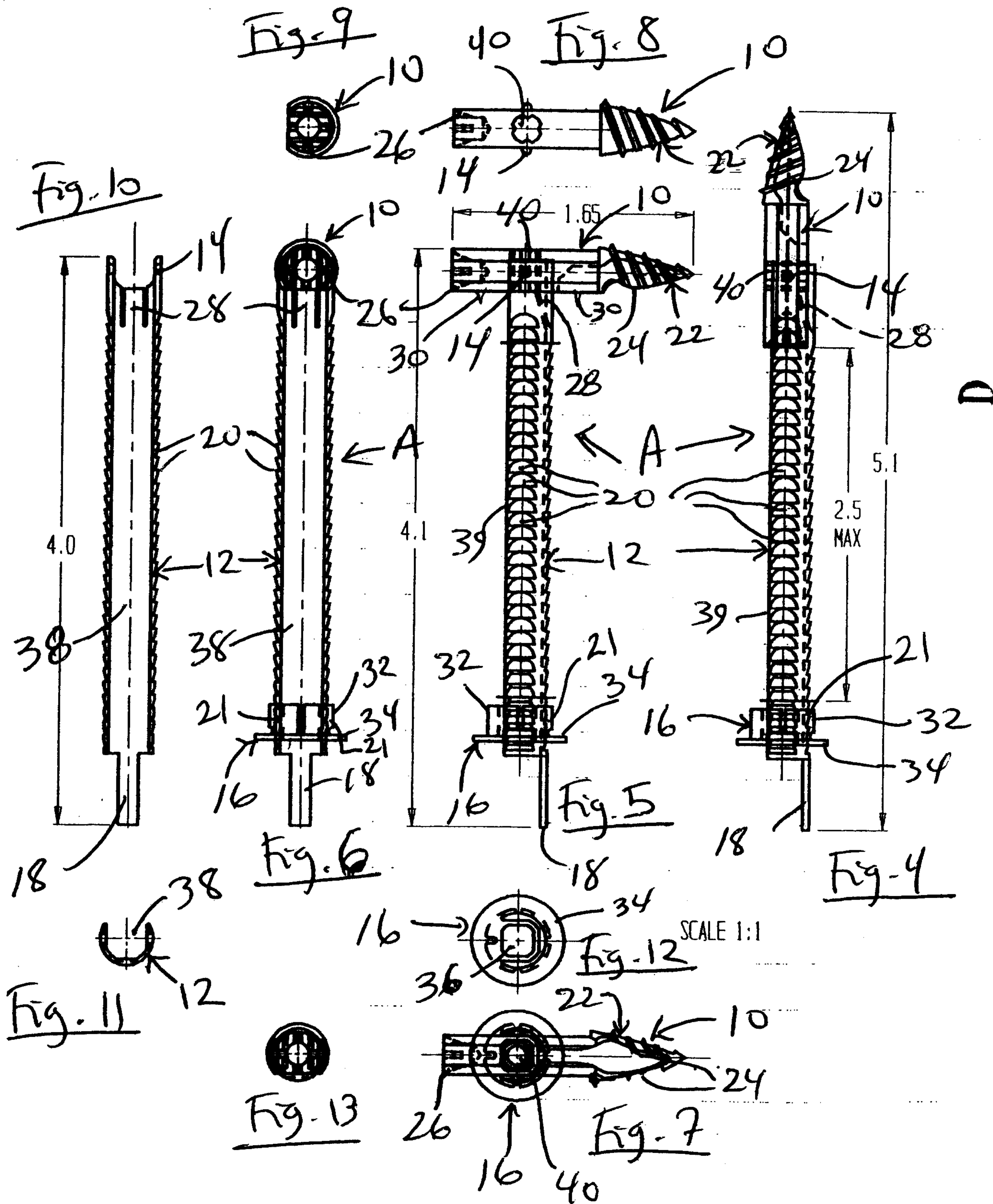


Fig. 3



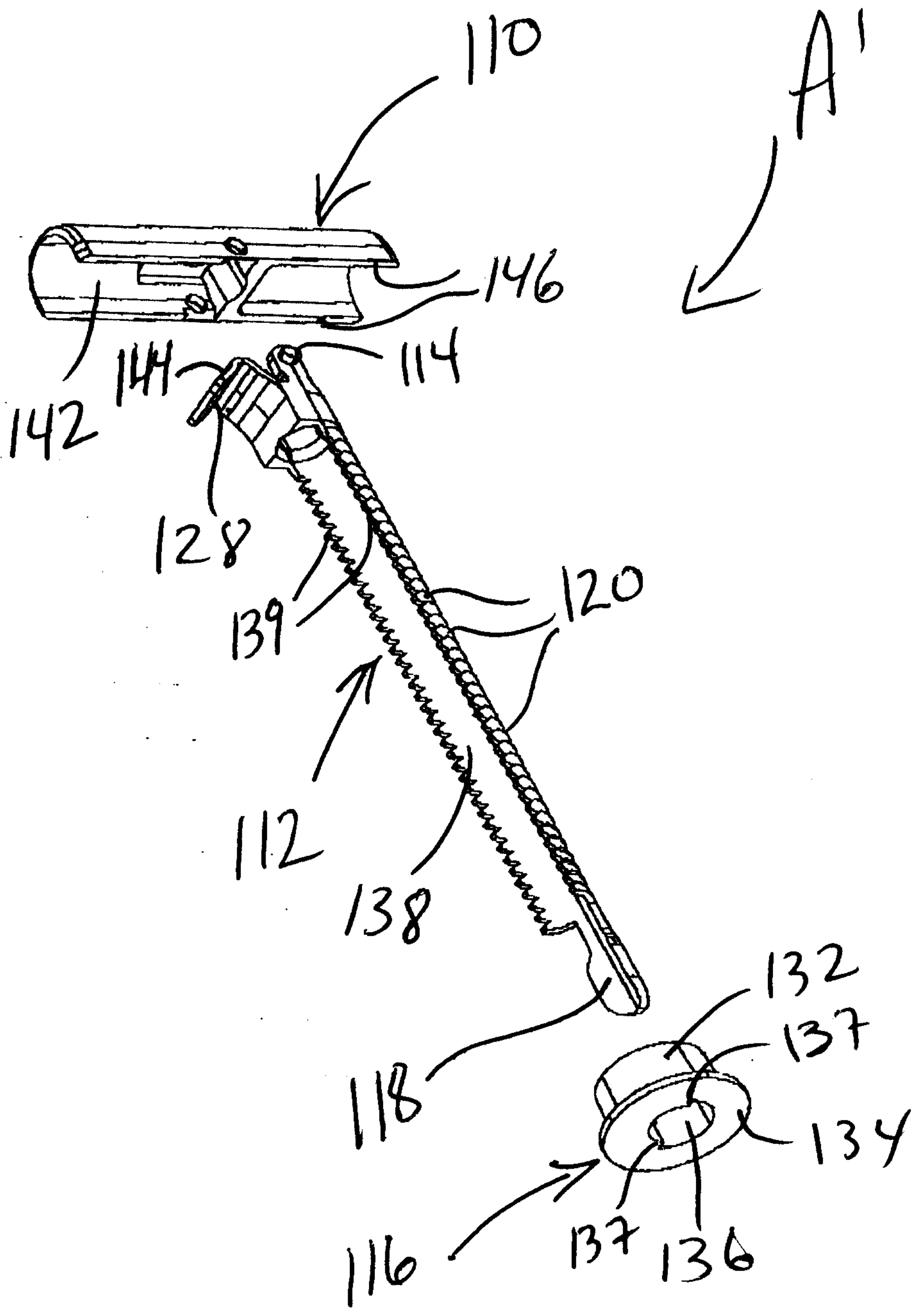


Fig. 14

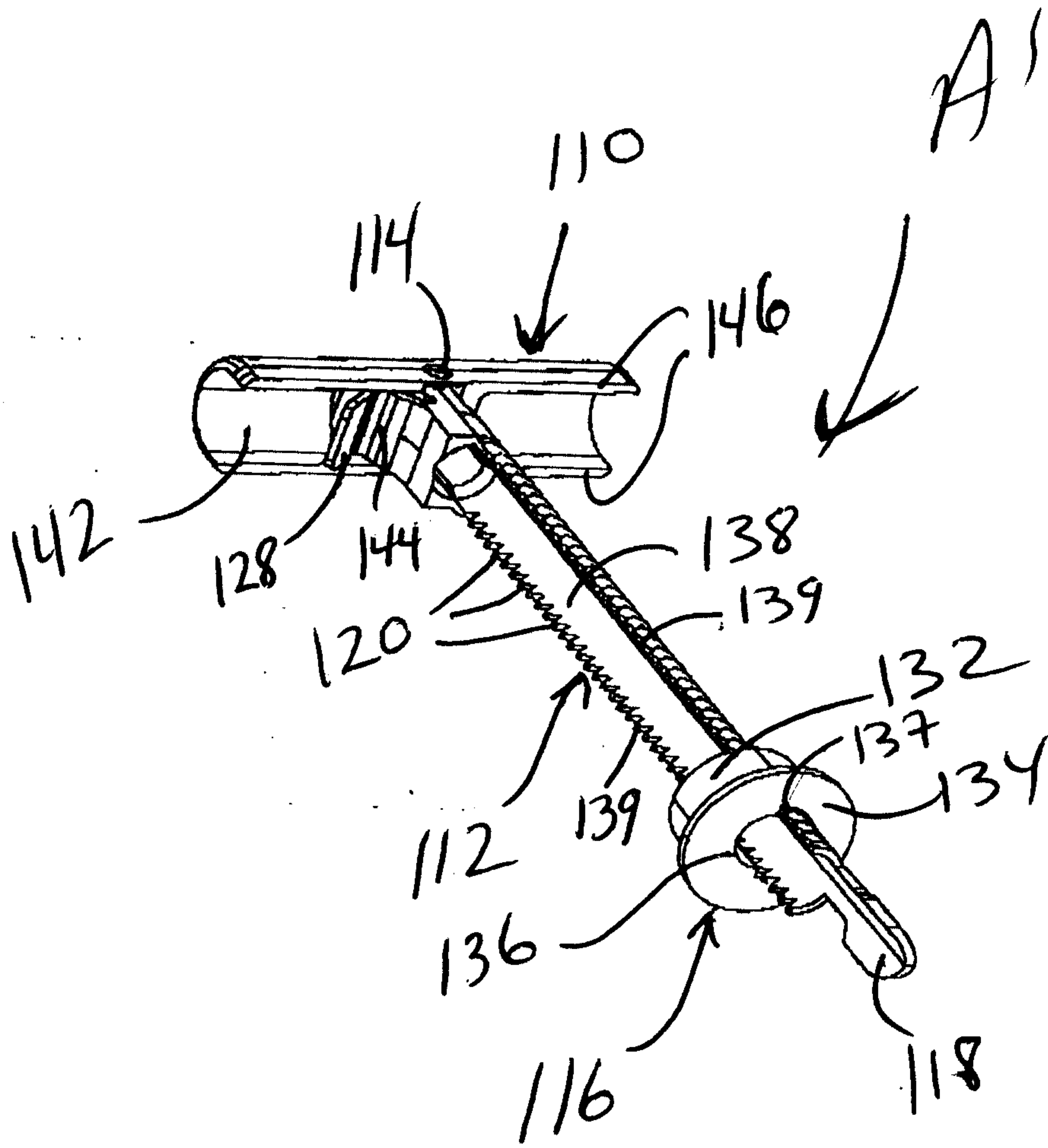


Fig. 15

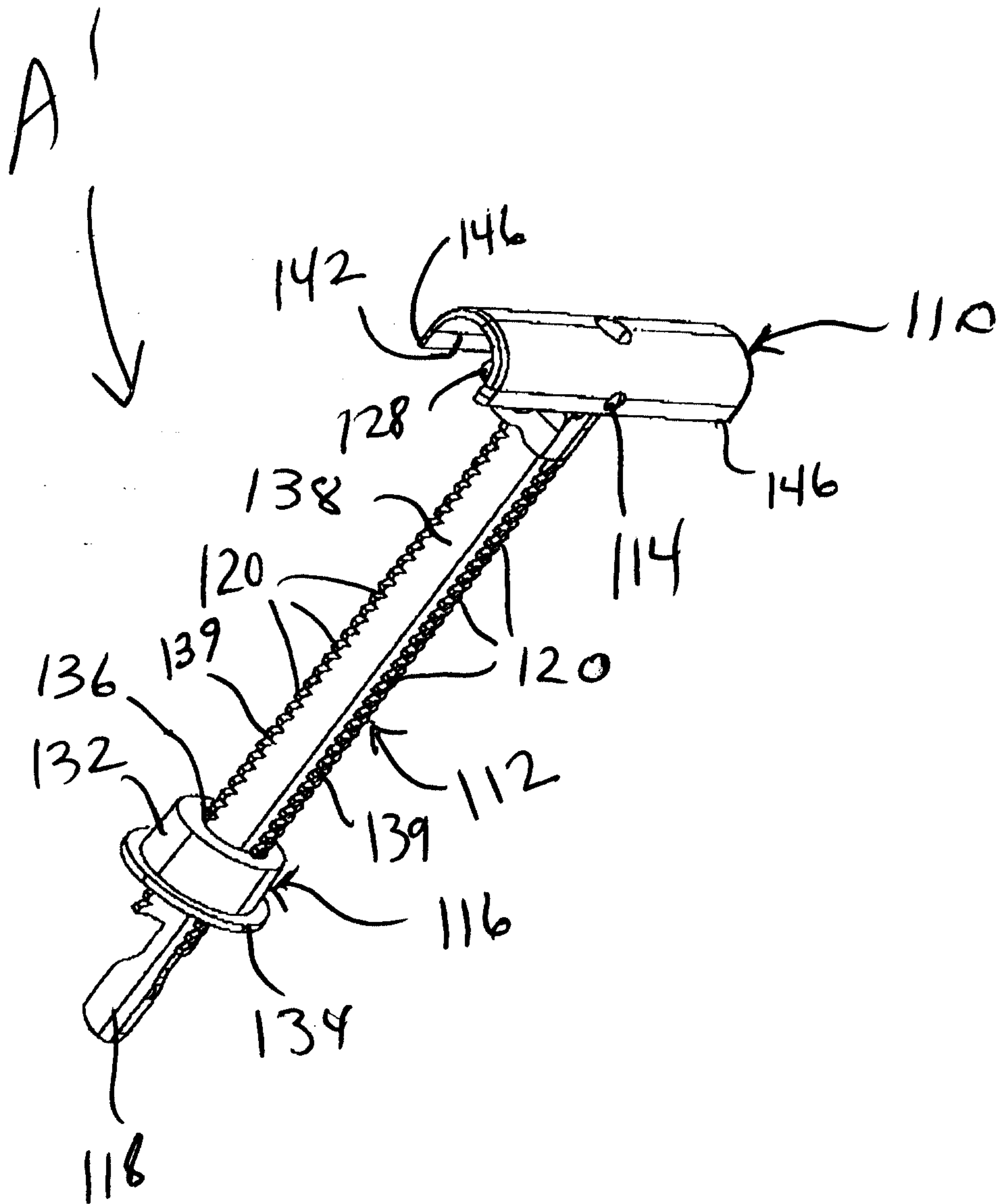


Fig. 16

