



US00D337191S

United States Patent [19]

[11] Patent Number: Des. 337,191

Ibrahim

[45] Date of Patent: ** Jul. 6, 1993

[54] FOUR WHEEL LUGGAGE CADDY

4,407,521 10/1983 Zeitlin .

[76] Inventor: Ahmed Ibrahim, 14305 41st Ave.,
Flushing, N.Y. 11355

FOREIGN PATENT DOCUMENTS

623169 6/1927 France 280/652

[**] Term: 14 Years

Primary Examiner—Kay H. Chin
Attorney, Agent, or Firm—Terry M. Gernstein

[21] Appl. No.: 778,645

[57] CLAIM

[22] Filed: Oct. 18, 1991

The ornamental design for a four wheel luggage caddy, as shown and described.

[52] U.S. Cl. D34/12; D34/17

[58] Field of Search D34/12, 15, 17, 24,
D34/25, 26; 280/652, 655, 47.27, 47.29, 47.19,
47.24

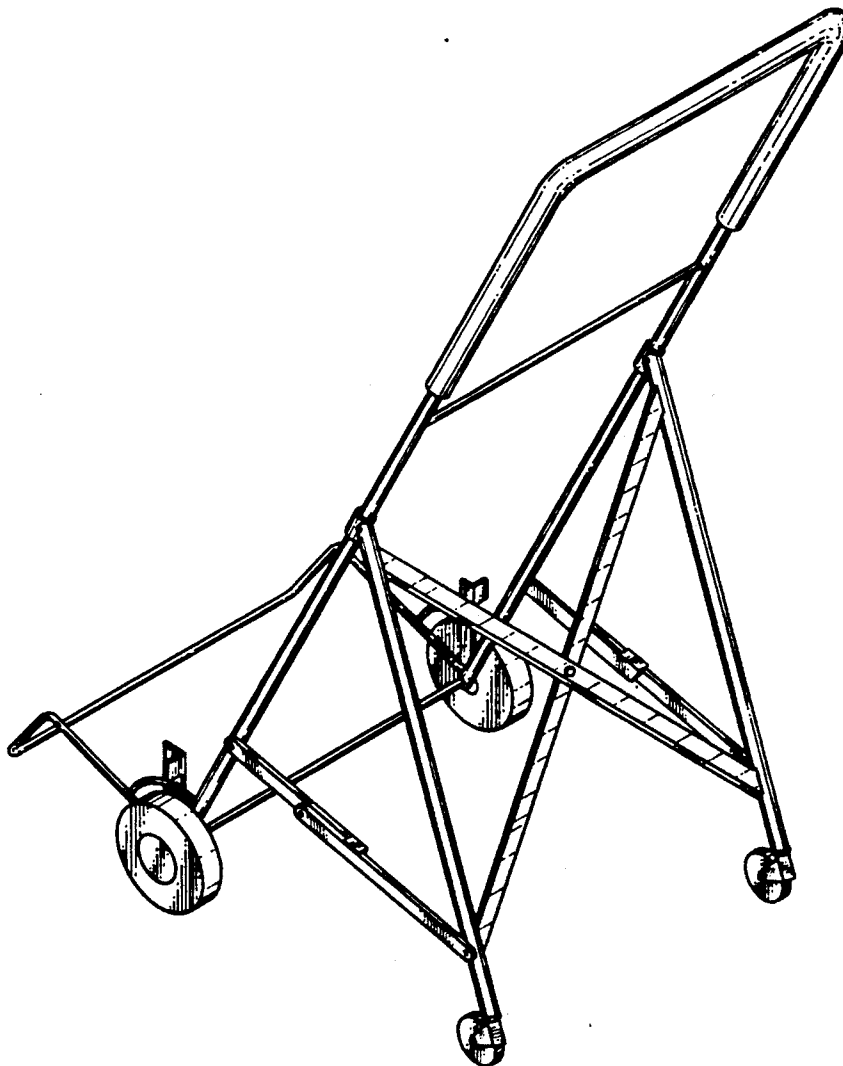
DESCRIPTION

[56] References Cited

U.S. PATENT DOCUMENTS

- 1,582,045 4/1926 Howe .
- 2,234,358 3/1941 Schray 280/652
- 3,797,849 3/1974 Sherman .
- 4,286,796 9/1981 Esposito .

FIG. 1 is a perspective view of the four wheel luggage caddy embodying the design of the present invention; FIG. 2 is a front elevational view thereof; FIG. 3 is a rear elevational view thereof; FIG. 4 is a side elevational view thereof; FIG. 5 is a side elevational view thereof; FIG. 6 is a top plan view thereof; and, FIG. 7 is a bottom plan view thereof.



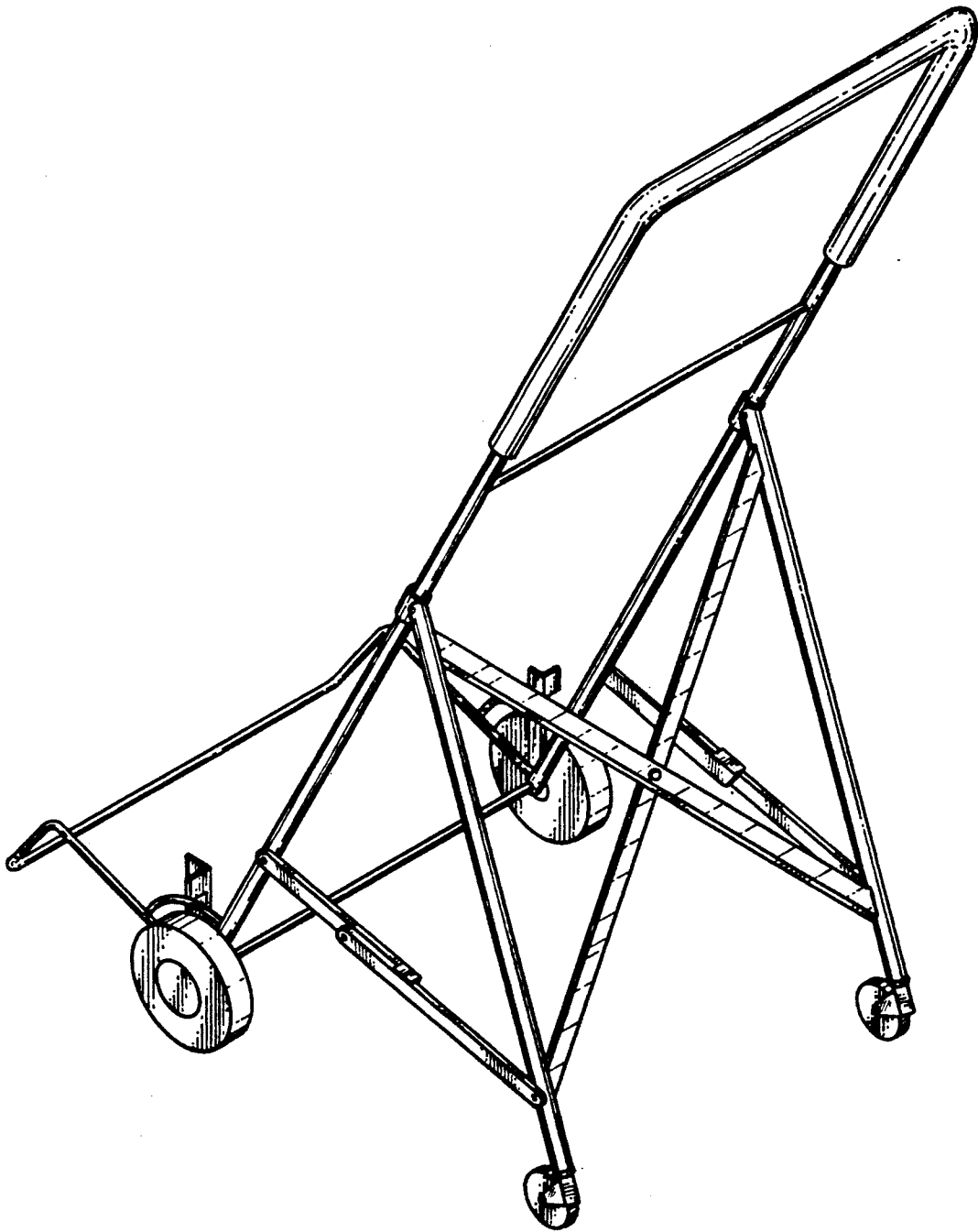


FIG. 1

FIG. 2

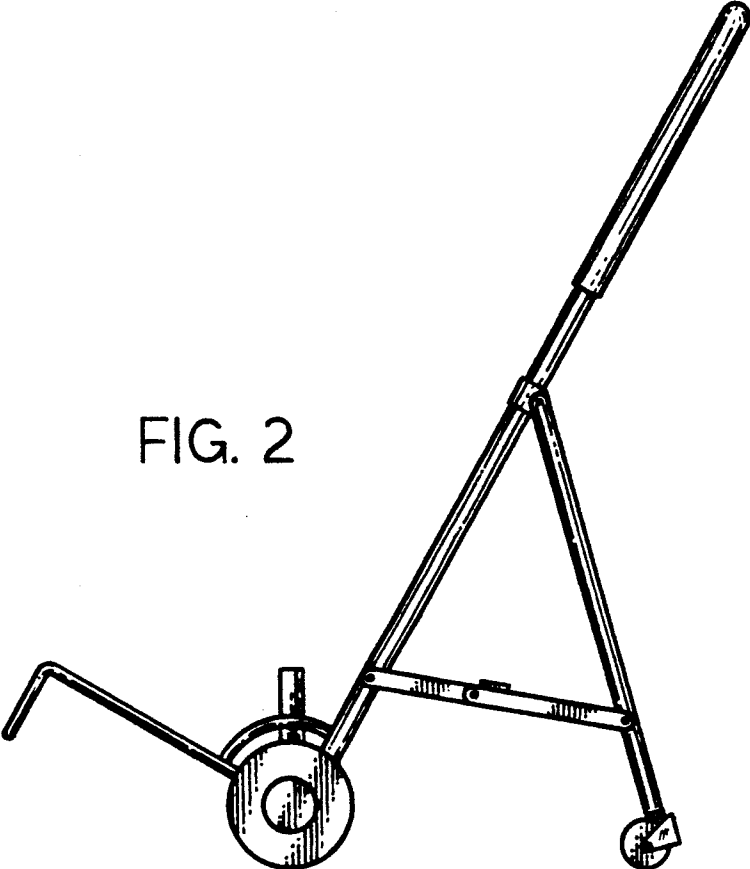
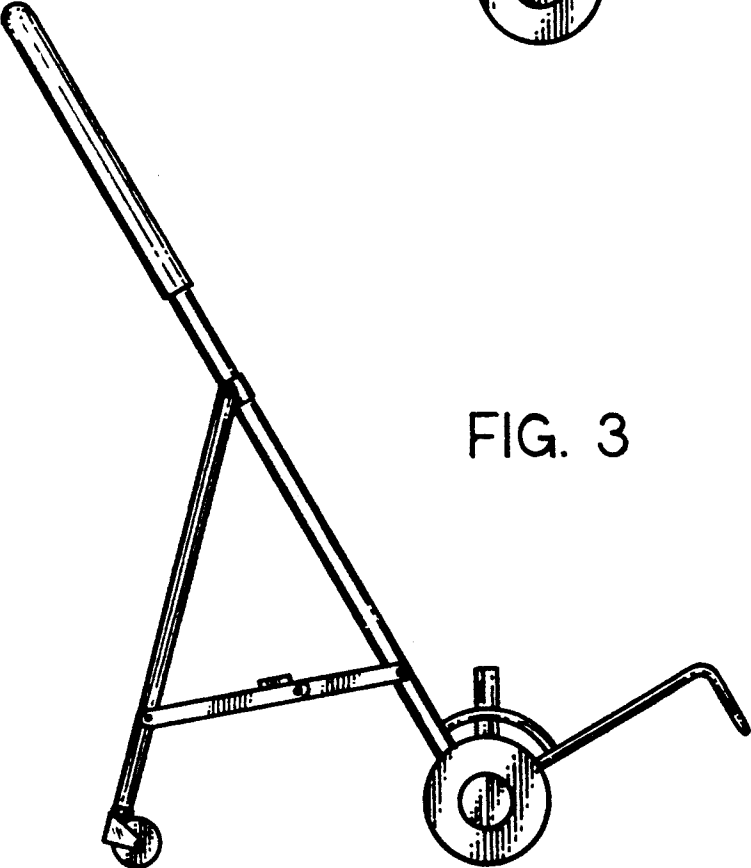


FIG. 3



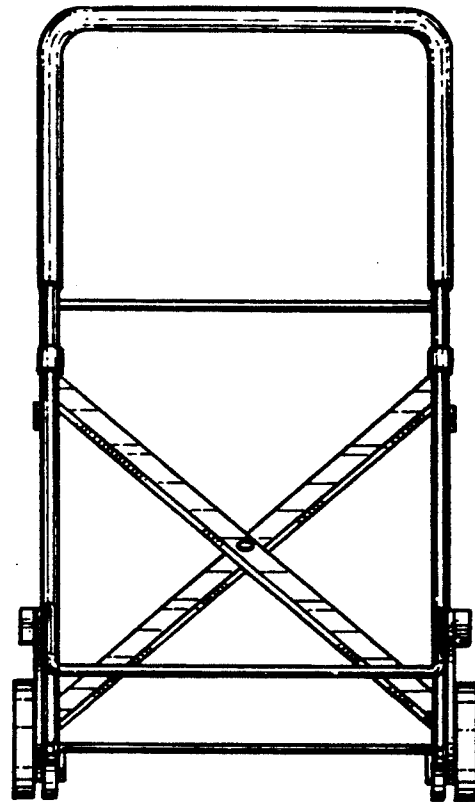


FIG. 4

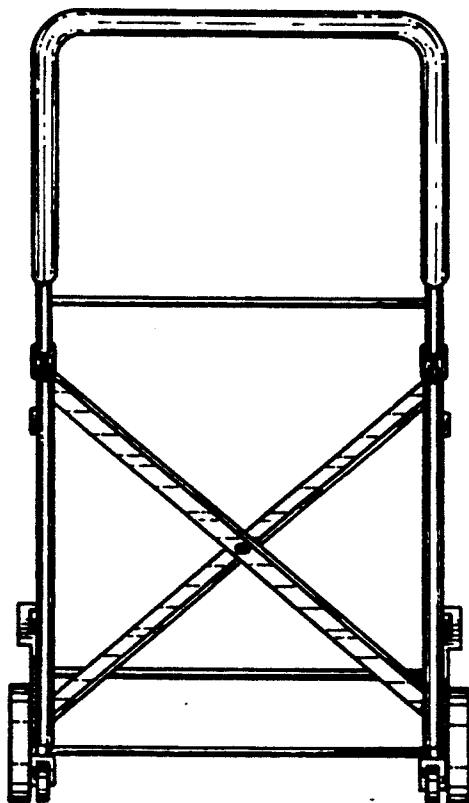


FIG. 5

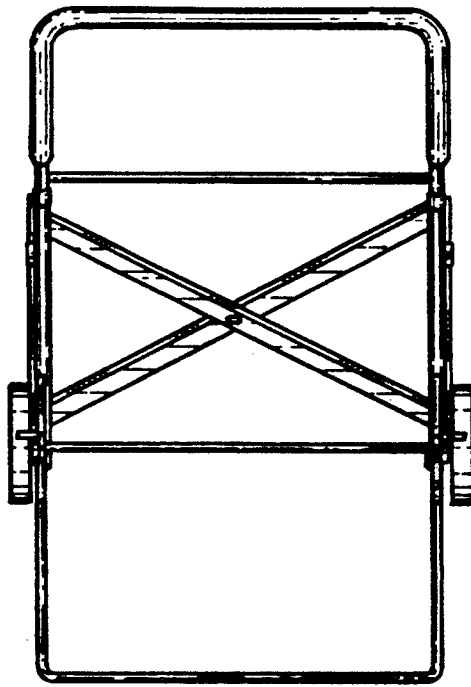


FIG. 6

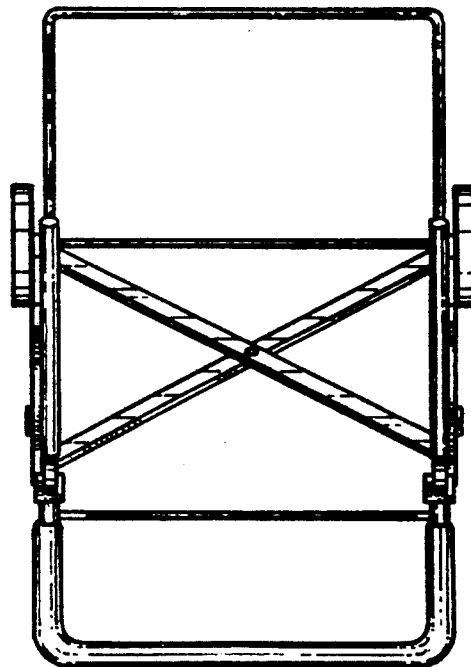


FIG. 7