

United States Patent [19]

Chatani et al.

[11] Patent Number: Des. 277,686

[45] Date of Patent: ** Feb. 19, 1985

[54] TOY BLOCK

[75] Inventors: Yasushi Chatani, Tokorozawa;
Toshio Tsuchikura, Koshigaya, both
of Japan

[73] Assignee: Kawada Co., Ltd., Tokyo, Japan

[**] Term: 14 Years

[21] Appl. No.: 64,488

[22] Filed: Aug. 7, 1979

[52] U.S. Cl. D21/108

[58] Field of Search D21/104-108;
46/16, 17, 22, 23, 24, 25, 26, 27, 28, 29, 31;
D25/61, 70, 77, 78

[56] References Cited

FOREIGN PATENT DOCUMENTS

934552 10/1973 Canada 46/16

523660 9/1920 France 46/26
1092418 4/1955 France 46/23

Primary Examiner—Charles A. Rademaker
Attorney, Agent, or Firm—Don B. Finkelstein

[57] CLAIM

The ornamental design for a toy block, as shown and described.

DESCRIPTION

FIG. 1 is a perspective view of a toy block showing our new design;

FIG. 2 is a top plan view thereof, the bottom plan view being identical;

FIG. 3 is a left end elevational view thereof, the right end being identical;

FIG. 4 is a front elevational view thereof, the side opposite being identical; and

FIG. 5 is a sectional view along the line 5—5 of FIG. 2.

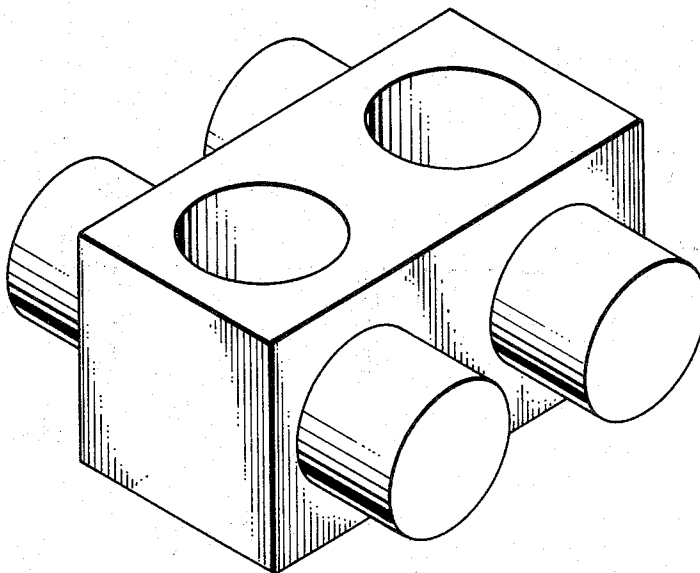


FIG. 1

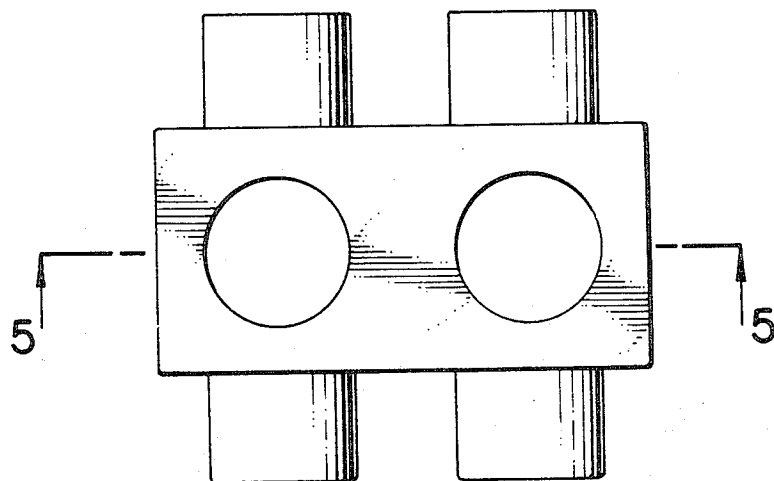
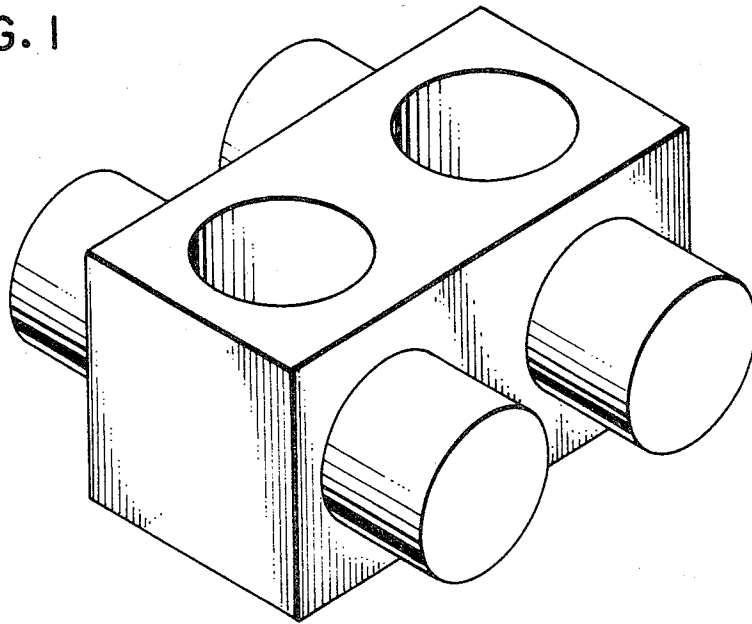


FIG. 2

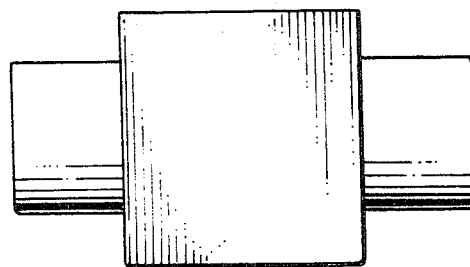


FIG. 3

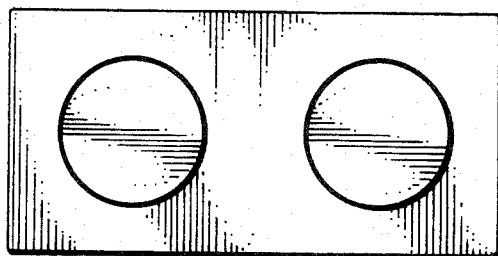


FIG. 4

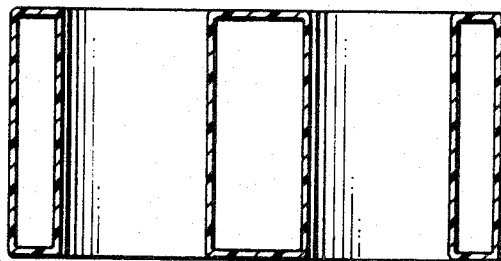


FIG. 5