



(12) **United States Design Patent**  
**Benacquisto et al.**

(10) **Patent No.:** **US D831,905 S**  
(45) **Date of Patent:** **\*\* Oct. 23, 2018**

(54) **GROOMING TOOL**  
(71) Applicant: **BISSELL Homecare, Inc.**, Grand Rapids, MI (US)  
(72) Inventors: **Justin Benacquisto**, Caledonia, MI (US); **Charles A. Martin**, Kalamazoo, MI (US); **David M. Miller**, Zeeland, MI (US); **Joseph Q. Marietta**, Kalamazoo, MI (US); **Brian C. Wolfe**, Kalamazoo, MI (US)

7/0085; A47L 7/009; A47L 7/02; A47L 11/4083; A47L 11/4086; A47L 11/4036; A47L 11/4044; A45D 2/00; A45D 2/002; A45D 2/36; A45D 2/367; A45D 2002/003; A45D 24/00; A45D 24/007; A45D 24/32; A45D 2024/002; A45D 20/00; A45D 20/10; A45D 20/12; A45D 20/122; A45D 20/48; A45D 20/50; A45D 20/52; A45D 20/525; A61D 7/00; A61D 11/00

See application file for complete search history.

(73) Assignee: **BISSELL Homecare, Inc.**, Grand Rapids, MI (US)

(56) **References Cited**

U.S. PATENT DOCUMENTS

1,770,749 A \* 7/1930 Engberg ..... A01K 13/002  
132/112  
D200,525 S \* 3/1965 Kellogg ..... D24/211  
3,421,171 A \* 1/1969 Tsuruzawa ..... A47L 11/22  
15/1.52  
D215,875 S \* 11/1969 Hoadley ..... D32/32

(Continued)

*Primary Examiner* — Susan Moon Lee

(74) *Attorney, Agent, or Firm* — McGarry Bair PC

(\*\*) Term: **15 Years**

(21) Appl. No.: **29/605,203**

(22) Filed: **May 24, 2017**

(51) **LOC (11) Cl.** ..... **30-99**

(52) **U.S. Cl.**  
USPC ..... **D30/158**

(58) **Field of Classification Search**

USPC ..... D30/158, 159, 199; 15/104.002, 230.11, 15/104.94, 104.8, 23, 231, 169, 184, 114, 15/DIG. 14, 186-188, 329, 337, 338, 15/415.1, 416-422, 422.1, 93.1, 246.2, 15/322, 350-354, 361-363, 366, 378, 15/400, 401, 414, 412, 344, 402; 132/119-119.1, 212, 271, 112; 206/15.2-15.3, 361, 362.3, 470; 242/571.4; D28/25, 23, 30, 59, 21, 91.1, D28/7, 77, 5; D4/117, 116, 121-123, D4/102, 199, 137, 131; D32/31-33, 25, D32/17, 70; 119/600-612, 625, 628, 633, 119/650, 677, 665, 673, 664, 676, 479; 34/92, 96, 97; 401/289, 42, 270; 239/315, 310, 525-527, 159, 307; D23/223, 213, 225, 226, 202; D27/154; 4/615, 616, 596, 570, 568, 567, 606, 603  
CPC ..... A01K 13/00-13/003; A01K 27/007; A47L 9/00; A47L 9/04; A47L 9/0072; A47L 9/0081; A47L 7/00; A47L 7/0066; A47L

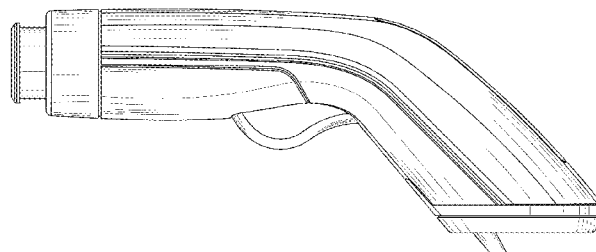
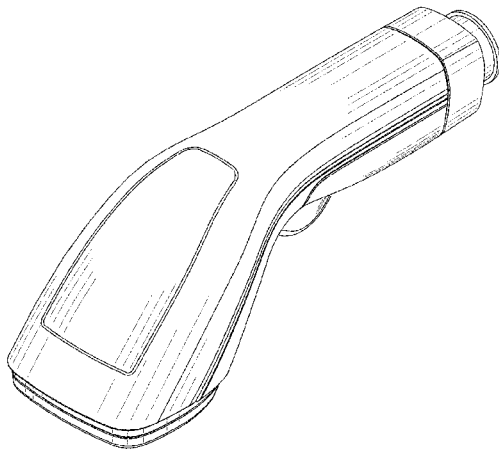
(57) **CLAIM**

The ornamental design for a grooming tool, as shown and described.

**DESCRIPTION**

FIG. 1 is a top perspective view of a grooming tool showing our new design;  
FIG. 2 is a top view thereof;  
FIG. 3 is a bottom view thereof;  
FIG. 4 is a left side view thereof, the right side being a mirror image;  
FIG. 5 is a front view thereof; and,  
FIG. 6 is a rear view thereof.

**1 Claim, 5 Drawing Sheets**



(56)

## References Cited

## U.S. PATENT DOCUMENTS

3,668,736	A *	6/1972	Loscalzo .....	A47L 9/06 15/347	D622,457	S *	8/2010	Choi .....	D32/17
D226,462	S *	3/1973	Gibbs .....	D4/114	D628,304	S *	11/2010	Aulwes .....	D24/214
D226,583	S *	3/1973	Welch .....	D24/214	D646,445	S *	10/2011	Choi .....	D32/17
3,835,869	A *	9/1974	Newman .....	A45D 20/52 132/271	D649,657	S *	11/2011	Petersen .....	D24/215
D263,998	S *	4/1982	Oberheim .....	D24/214	D651,774	S *	1/2012	Tobias .....	D32/17
4,779,572	A *	10/1988	Freulon .....	A01K 13/002 119/604	D659,315	S *	5/2012	Hollis .....	D32/33
D315,251	S *	3/1991	Clivio .....	D4/102	D670,454	S *	11/2012	Sherk, Jr. ....	D30/158
D368,342	S *	3/1996	Founds .....	D30/158	D671,226	S *	11/2012	Aulwes .....	D24/215
D369,026	S *	4/1996	Furbert .....	D23/223	D674,978	S *	1/2013	Hill .....	D32/32
5,799,362	A *	9/1998	Huffman .....	A47L 1/08 15/321	8,402,920	B2 *	3/2013	Dole .....	A01J 7/04 119/14.18
6,453,848	B1 *	9/2002	Hachey .....	A01K 13/001 119/602	D688,425	S *	8/2013	Fernandez .....	D30/158
D476,160	S *	6/2003	Choi .....	D4/121	8,555,463	B1 *	10/2013	Laube .....	A01K 13/001 119/606
6,986,217	B2 *	1/2006	Leung .....	D06F 73/00 38/77.83	D701,011	S *	3/2014	Miller .....	D32/32
7,073,226	B1 *	7/2006	Lenkiewicz .....	A47L 11/34 15/320	D726,927	S *	4/2015	Matsushita .....	D24/200
D540,994	S *	4/2007	Borges .....	D32/33	9,220,237	B1 *	12/2015	Dryden .....	A47L 9/0081
D547,067	S *	7/2007	Choi .....	D32/35	D780,392	S *	2/2017	Mikula .....	D32/32
D559,058	S *	1/2008	Radi .....	D8/62	9,763,423	B2 *	9/2017	Dole .....	A01J 7/04
D574,568	S *	8/2008	Lee .....	D32/70	D801,598	S *	10/2017	Urso .....	D30/158
D589,663	S *	3/2009	Massip .....	D32/17	2003/0007788	A1 *	1/2003	Wang .....	B08B 3/026 392/405
D590,111	S *	4/2009	Wiljanen .....	D32/32	2004/0105715	A1 *	6/2004	Spelman .....	A46B 11/0013 401/6
D590,157	S *	4/2009	Martin .....	D4/136	2004/0173163	A1 *	9/2004	Bond .....	A01K 13/001 119/651
D590,553	S *	4/2009	Crevling, Jr. ....	D32/32	2011/0030620	A1 *	2/2011	Jouan .....	A01K 13/002 119/611
7,516,565	B1 *	4/2009	Tsen .....	A47L 13/22 15/321	2011/0132406	A1 *	6/2011	Huffman .....	A01K 13/001 134/21
D596,362	S *	7/2009	Crevling, Jr. ....	D32/33	2014/0201940	A1 *	7/2014	Moyher, Jr. ....	A47L 5/362 15/321
D601,806	S *	10/2009	Choi .....	D4/114	2015/0156985	A1 *	6/2015	Ristaniemi .....	A01K 13/002 119/611
D601,807	S *	10/2009	Choi .....	D4/114	2015/0208605	A1 *	7/2015	Dole .....	A01J 7/04 119/664
D605,821	S *	12/2009	Shaanan .....	D32/35	2015/0250141	A1 *	9/2015	Ferrentino .....	A47L 9/06 119/610
D612,510	S *	3/2010	Byle .....	D24/210	2017/0265431	A1 *	9/2017	Urso .....	A01K 13/001
D621,110	S *	8/2010	Eden .....	D32/32	2018/0110201	A1 *	4/2018	Mohyer, Jr. ....	A01K 13/001
D621,112	S *	8/2010	Benacquisto .....	D32/33					

\* cited by examiner

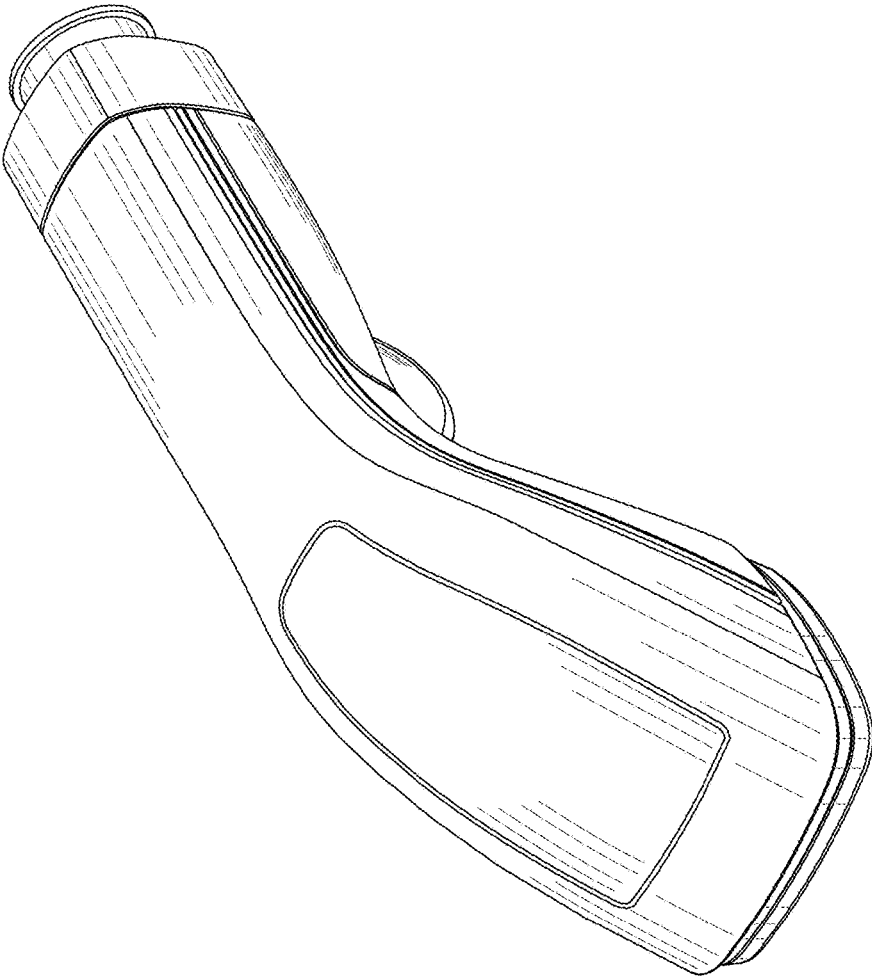


FIG. 1

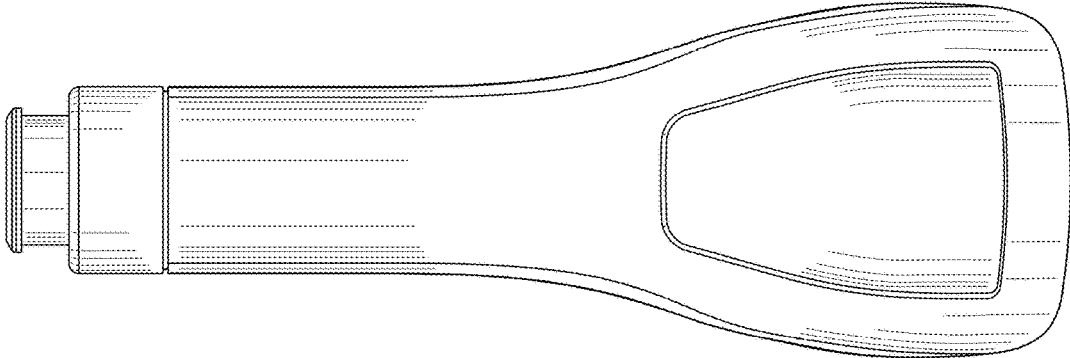


FIG. 2

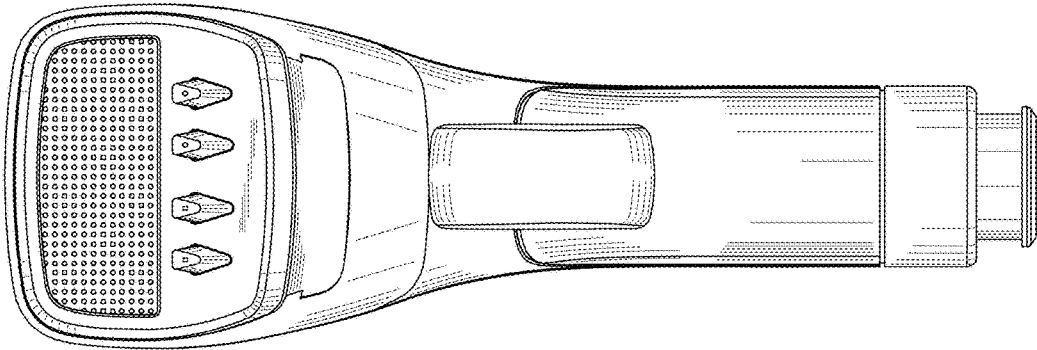


FIG. 3

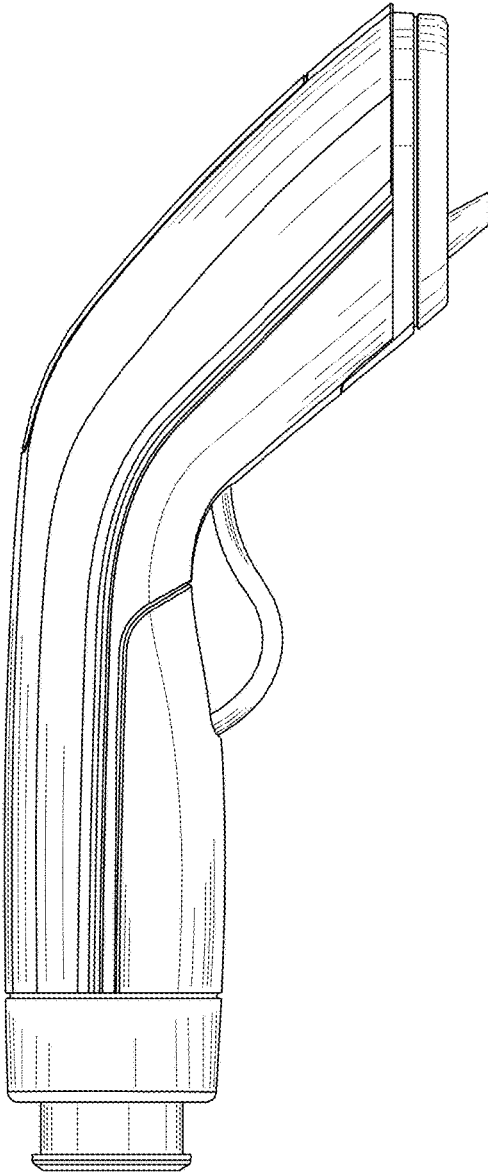


FIG. 4

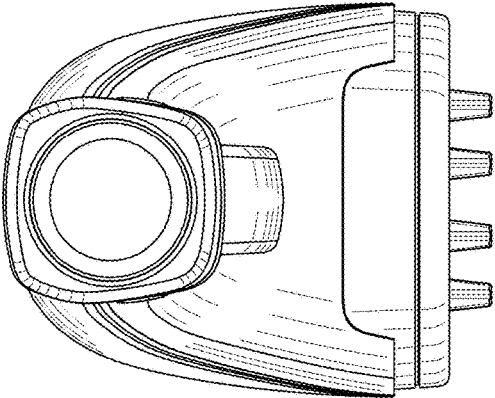


FIG. 5

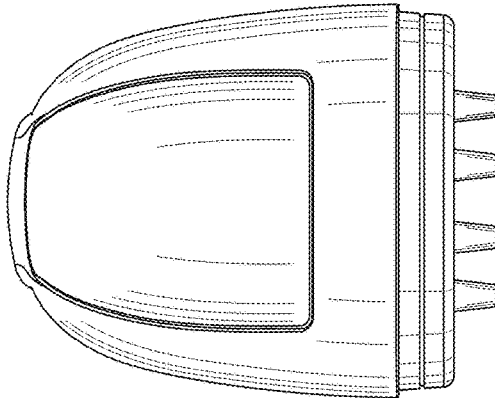


FIG. 6