



US00D641351S

(12) **United States Design Patent**  
**Arseneau et al.**

(10) **Patent No.:** **US D641,351 S**

(45) **Date of Patent:** **\*\* Jul. 12, 2011**

(54) **PORTABLE RECEIVER FOR A LIVE EVENT**

(75) Inventors: **Jean Arseneau**, Blainville (CA); **Alain Charette**, St-Jerome (CA); **Stephane Lambert**, Rosemere (CA)

(73) Assignee: **Kangaroo Media, Inc.**, Mirabel, Quebec (CA)

(\*\*) Term: **14 Years**

(21) Appl. No.: **29/355,569**

(22) Filed: **Feb. 10, 2010**

(51) **LOC (9) Cl.** ..... **14-02**

(52) **U.S. Cl.** ..... **D14/341**

(58) **Field of Classification Search** ..... D14/341-347, D14/137, 138, 138.1, 138 AA, 138 R, 138 AB, D14/138 G, 138 A, 496, 426, 429, 129, 130, D14/420, 439-441, 448, 125, 147, 156, 218, D14/250, 336, 203.1, 203.3, 203.4, 203.7, D14/315, 388-390; D21/324, 329, 330; D10/65, 104; D18/6-7; 345/169, 901, 905, 345/156, 157, 168, 173; 361/680, 686, 679.27, 361/679.3; 379/433.04, 433.07, 433.11, 379/916, 433.01, 433.06

See application file for complete search history.

(56) **References Cited**

**U.S. PATENT DOCUMENTS**

D261,669 S	11/1981	Tran
D274,648 S	7/1984	Swanson
D279,565 S	7/1985	Forbis
5,161,250 A	11/1992	Ianna
D345,548 S	3/1994	Giebler
D355,644 S	2/1995	Risko
5,485,504 A	1/1996	Ohnsorge
5,510,828 A	4/1996	Lutterbach
5,513,384 A	4/1996	Brennan
5,598,208 A	1/1997	McClintock
D381,325 S	7/1997	McMahan
5,793,413 A	8/1998	Hylton
5,815,216 A	9/1998	Suh

6,097,441 A	8/2000	Allport	
D445,785 S	7/2001	Van Scoyoc	
D451,603 S	12/2001	Bastyr	
D453,158 S *	1/2002	Chen	..... D14/374

(Continued)

**FOREIGN PATENT DOCUMENTS**

CA	2237939	8/1998
----	---------	--------

(Continued)

**OTHER PUBLICATIONS**

ICOM, Inc. (2000-2004). ICOM IC-R3 Receiver product description located at <<http://www.javiation.co.uk/ic-r3.html>>, last visited Jul. 26, 2005, two pages.

(Continued)

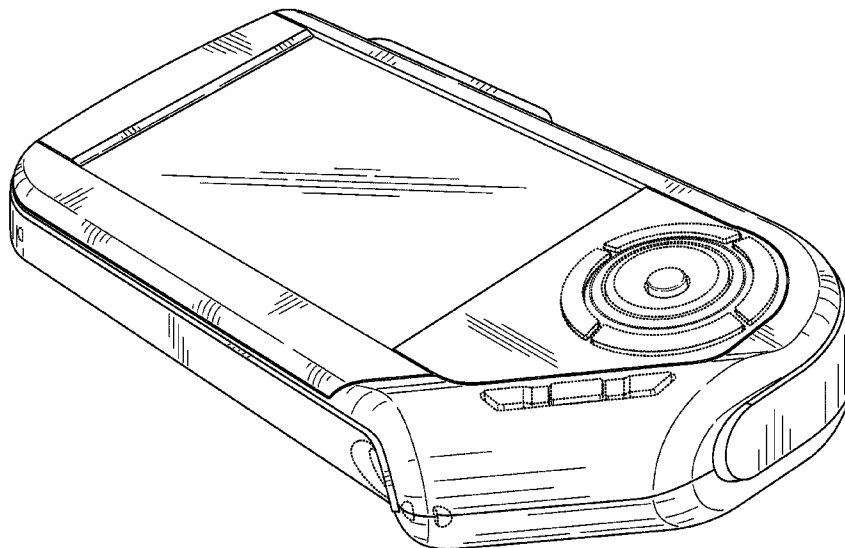
*Primary Examiner* — Cathron Brooks  
*Assistant Examiner* — Barbara Fox  
(74) *Attorney, Agent, or Firm* — Vierra Magen Marcus & DeNiro LLP

(57) **CLAIM**  
The ornamental design for a portable receiver for a live event, as shown and described.

**DESCRIPTION**

FIG. 1 is a top perspective view of the portable receiver for a live event of the new design;  
FIG. 2 is a first side view thereof;  
FIG. 3 is a second side view thereof;  
FIG. 4 is a third side view thereof;  
FIG. 5 is a fourth side view thereof;  
FIG. 6 is a first bottom perspective view thereof; and,  
FIG. 7 is a second bottom perspective view thereof.  
The broken lines shown in the drawings represent unclaimed portions of the portable receiver for a live event and form no part of the claimed design.

**1 Claim, 5 Drawing Sheets**



U.S. PATENT DOCUMENTS

6,400,264 B1 6/2002 Hsieh  
 6,434,403 B1 8/2002 Ausems  
 6,466,202 B1 10/2002 Suso  
 6,522,352 B1 2/2003 Strandwitz  
 6,675,386 B1 1/2004 Hendricks  
 6,681,398 B1 1/2004 Verna  
 6,782,102 B2 8/2004 Blanchard  
 D516,578 S \* 3/2006 Matsuoka ..... D14/496  
 D522,019 S \* 5/2006 Peng ..... D14/203.7  
 7,149,549 B1 12/2006 Ortiz  
 D548,736 S 8/2007 Arseneau  
 D550,710 S \* 9/2007 Ichinose ..... D14/496  
 D557,706 S \* 12/2007 Aguilar ..... D14/496  
 D594,030 S \* 6/2009 Rayn ..... D14/496  
 D615,084 S \* 5/2010 Burton et al. .... D14/341  
 2002/0042743 A1 4/2002 Ortiz  
 2002/0058499 A1 5/2002 Ortiz  
 2002/0063799 A1 5/2002 Ortiz  
 2002/0069419 A1 6/2002 Raverdy  
 2002/0138587 A1 9/2002 Koehler  
 2002/0152476 A1 10/2002 Anderson  
 2003/0112354 A1 6/2003 Ortiz  
 2004/0032495 A1 2/2004 Ortiz  
 2004/0192329 A1 9/2004 Barbosa  
 2005/0270276 A1 \* 12/2005 Sugimoto et al. .... 345/173  
 2010/0214607 A1 \* 8/2010 Hepworth et al. .... 358/1.15

FOREIGN PATENT DOCUMENTS

CA 2361659 5/2003  
 WO WO 94/11855 5/1994  
 WO WO 02/096097 11/2002  
 WO WO 02/096104 11/2002  
 WO WO 03/042939 5/2003  
 WO WO 2006/085844 8/2006  
 WO WO 2007/009225 1/2007

OTHER PUBLICATIONS

Anonymous. (2003). "Video Signal Scanner: Wireless Video Scanner," located at <<http://www.spyequipmentguide.com/video-signal-scanner.html>>, last visited Jul. 26, 2005, one page.  
 Cadence Design Systems Inc. (1999). "Cadence Embedded Systems Design Services Brings the Scanz Scanner to Market," located at <<http://www.edacafe.com/technical/papers/Cadence/vol4No4/scanz.php>>, last visited Jul. 18, 2005, three pages.  
 Icom, Inc. (2000). "ICOM IC-R3 Meets MIL STD 810, Communications Receiver," Icom Inc., product description, four pages.  
 Mesa Digital LLC (2001). "Front Row Technologies, My Front Row™, Put the 'Front Row' in the Palm of Your Hand," located at <<http://www.myfrontrow.com/pages/439116/>>, ten pages.  
 Slettenhaar, H. et al. (Fall 2000). "Silicon Valley Tour—From Hollywood to Woodside," located at <<http://siliconvalley.ch>>, 38 pages.

\* cited by examiner

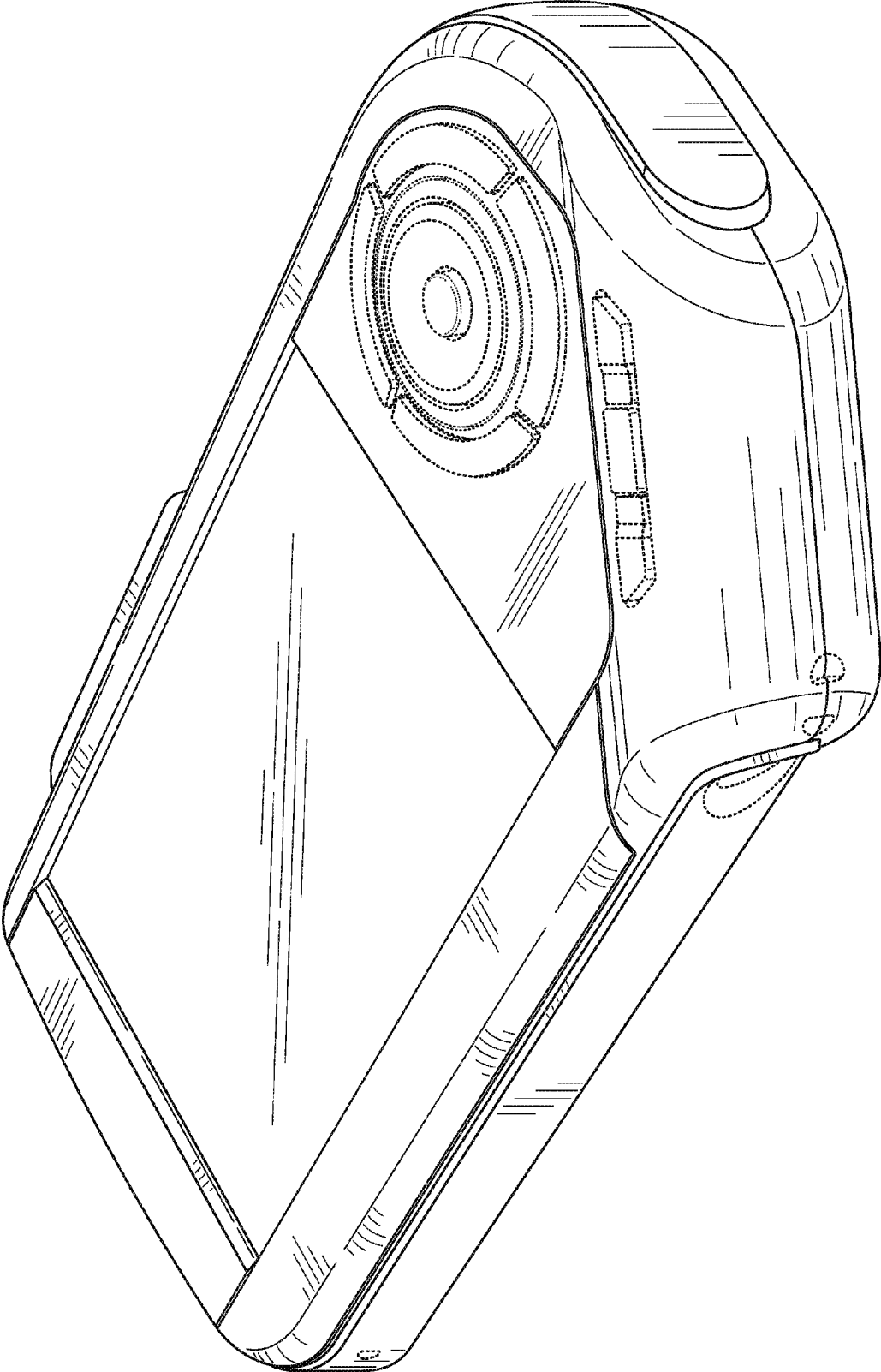


FIG. 1

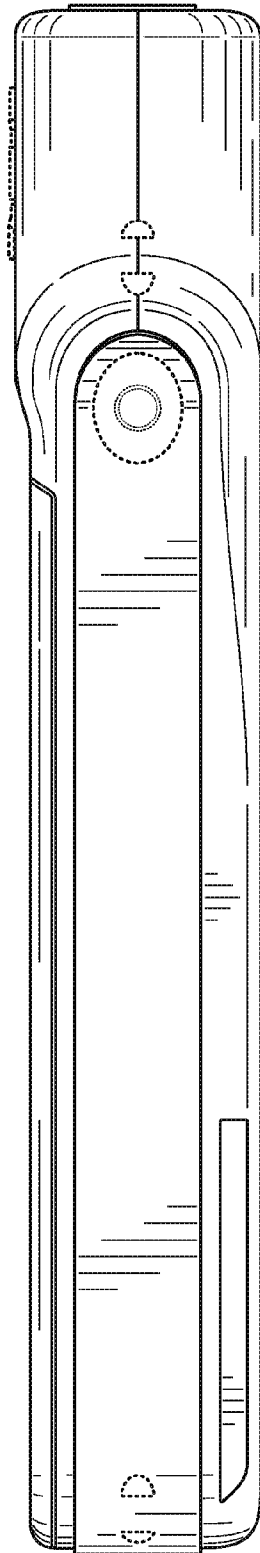


FIG. 2

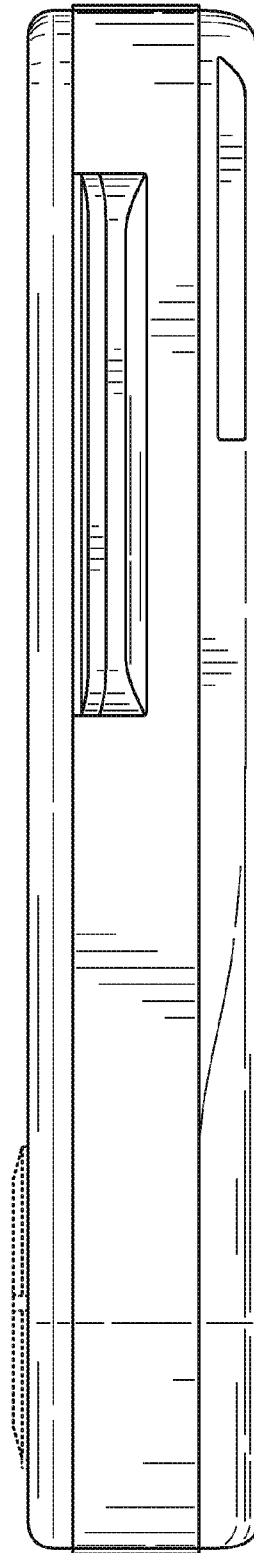


FIG. 3

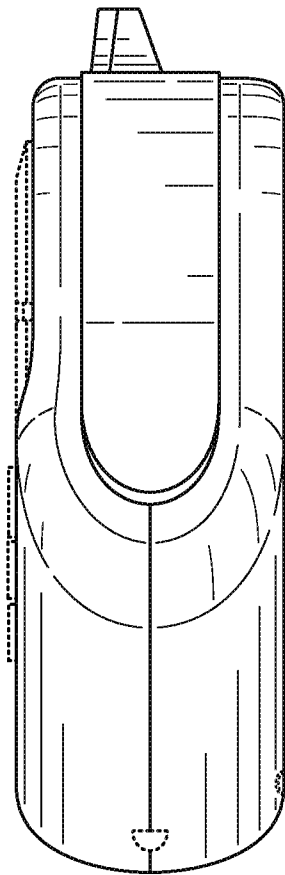


FIG. 4

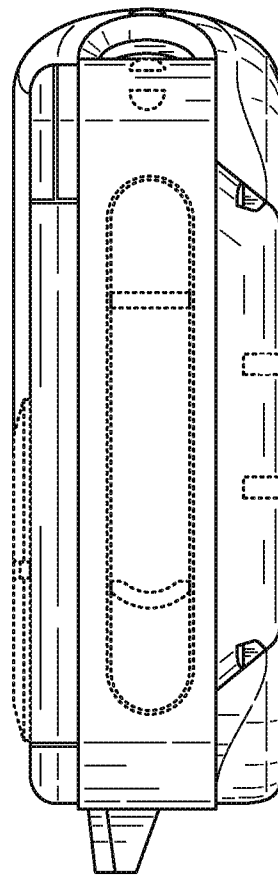


FIG. 5

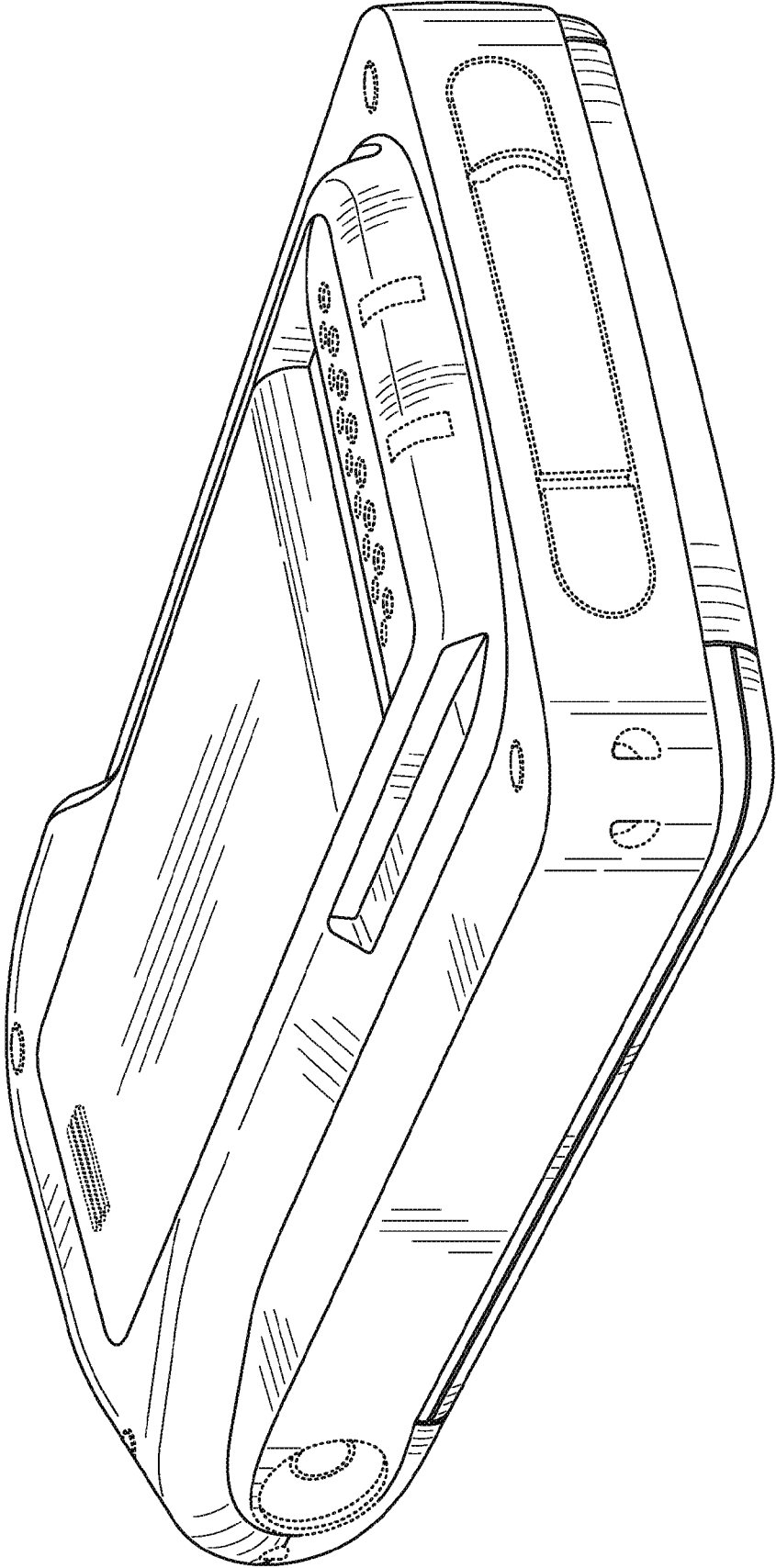


FIG. 6

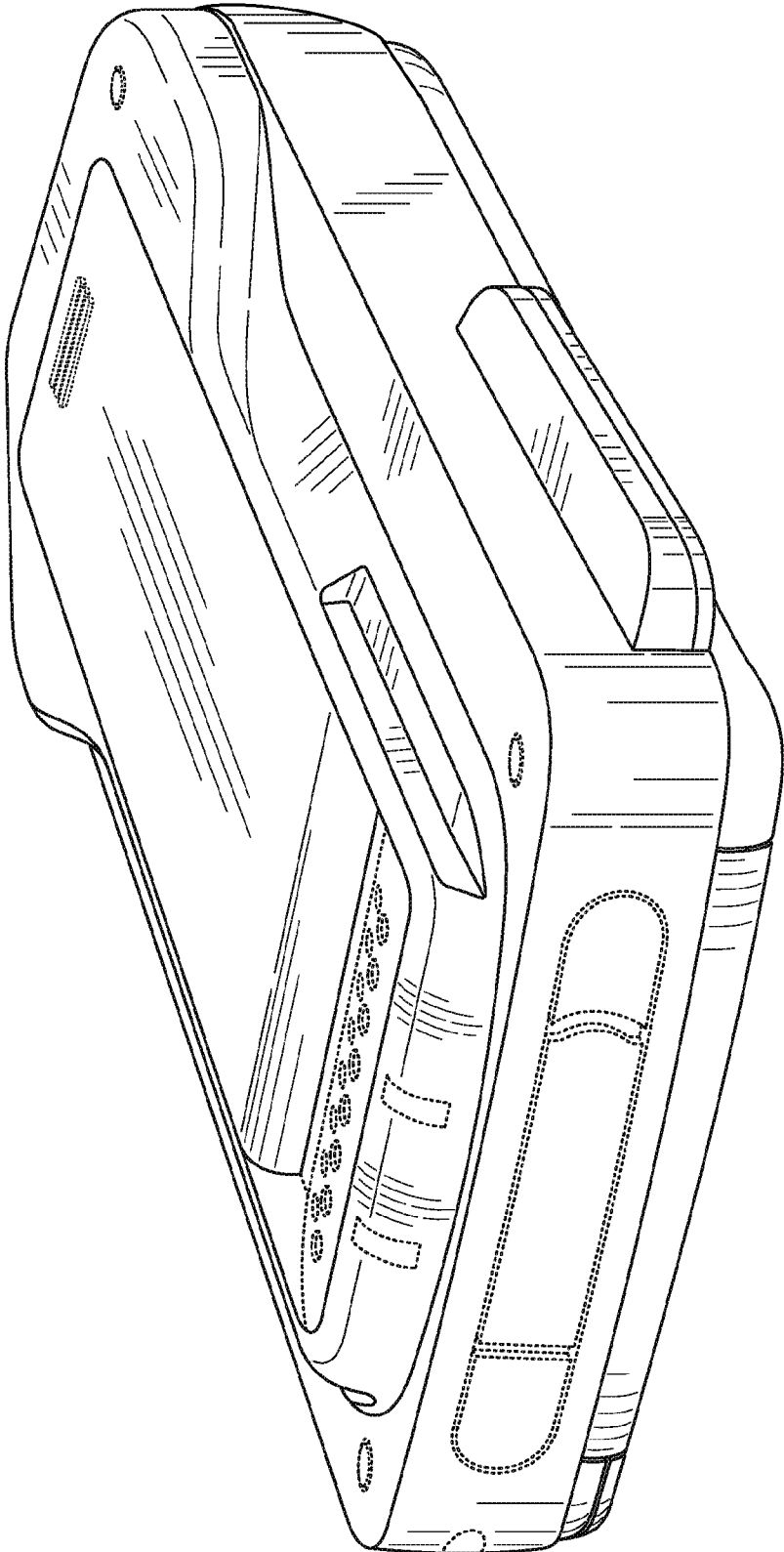


FIG. 7