



US00D779261S

(12) **United States Design Patent**
Barquin et al.

(10) **Patent No.:** **US D779,261 S**

(45) **Date of Patent:** **** Feb. 21, 2017**

- (54) **GRILL**
- (71) Applicant: **Spectrum Brands, Inc.**, Middleton, WI (US)
- (72) Inventors: **Javier Barquin**, Madison, WI (US);
Claudia Del Conte, Madison, WI (US);
Andres Moline, Miami, FL (US)
- (73) Assignee: **Spectrum Brands, Inc.**, Middleton, WI (US)

D478,462 S *	8/2003	Zhu	D7/332
D516,368 S *	3/2006	Zhang	D7/337
D520,803 S *	5/2006	Lu	D7/335
D520,804 S *	5/2006	Lu	D7/335
D560,978 S *	2/2008	Daams	D7/609
D575,084 S *	8/2008	Jehs	D6/708.17
D579,239 S *	10/2008	Massaud	D6/691.4
D612,477 S *	3/2010	Simpson	D23/403
D702,986 S *	4/2014	Tomalin-Reeves	D7/332
D718,558 S *	12/2014	Chipman	D6/692.3
D726,490 S *	4/2015	Spencer	D7/332

(Continued)

(**) Term: **14 Years**

(21) Appl. No.: **29/519,577**

(22) Filed: **Mar. 6, 2015**

(51) **LOC (10) Cl.** **07-02**

(52) **U.S. Cl.**
USPC **D7/335**

(58) **Field of Classification Search**
USPC D7/323-339, 352-353, 402-403, 609,
D7/501.1-501.4; 126/25 R, 41 R, 50;
D9/428, 429; D6/691.4, 691.5, 692.3;
D23/403

CPC A47J 37/0611; A47J 37/06; A47J 37/0617;
A47J 37/07-37/0713; A47J 37/0763

See application file for complete search history.

(56) **References Cited**

U.S. PATENT DOCUMENTS

D183,231 S *	7/1958	Turner	D23/403
D207,935 S *	6/1967	Lovett	D23/403
3,785,361 A *	1/1974	Mejyr	A47J 37/0713
5,524,610 A *	6/1996	Clark	126/25 R
			F24J 2/02
			126/25 R
D423,280 S *	4/2000	Lin	D7/337
D451,333 S *	12/2001	Hsu	D7/350.4
D456,202 S *	4/2002	McNair	D7/332
6,418,923 B1 *	7/2002	Cantrell	A47J 37/0704
			126/25 R

OTHER PUBLICATIONS

George Foreman Indoor/Outdoor Grills website, <http://www.georgeformancooking.com/products/indoor-outdoor-grills.aspx#/?page=1&filter.brand=George%20Foreman&filter.categorytier2=Indoor/Outdoor%20Grills>.

Primary Examiner — Susan Bennett Hattan

Assistant Examiner — Brett Miller

(74) *Attorney, Agent, or Firm* — Banner & Witcoff, Ltd.

(57) **CLAIM**

The ornamental design for a grill, as shown and described.

DESCRIPTION

FIG. 1 is a front perspective view of a grill showing our new design;

FIG. 2 is a front view thereof;

FIG. 3 is a rear view thereof;

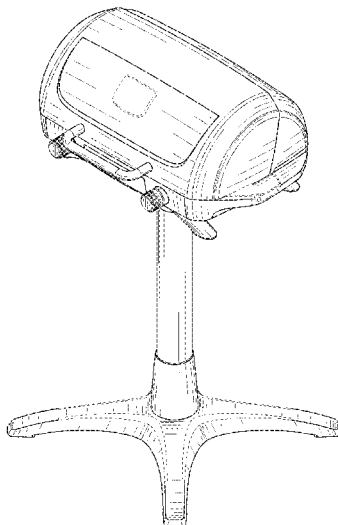
FIG. 4 is a right side view thereof;

FIG. 5 is a left side view thereof; and,

FIG. 6 is top view thereof.

The broken lines, that are immediately adjacent to the shaded areas and define unshaded regions, represent the bounds of the claimed design. The broken lines that are shown within the broken line boundaries and the broken lines outside of the claim are directed to environment. The broken lines form no part of the claimed design.

1 Claim, 6 Drawing Sheets



(56)

References Cited

U.S. PATENT DOCUMENTS

D738,155	S *	9/2015	Chung	D7/334
D743,200	S *	11/2015	Pai	D7/337
D747,910	S *	1/2016	Costa	D7/337
2005/0229917	A1 *	10/2005	Profitt	A47J 37/0713
				126/25 R
2014/0261012	A1 *	9/2014	Perez, Jr.	A47J 37/0694
				99/403

* cited by examiner

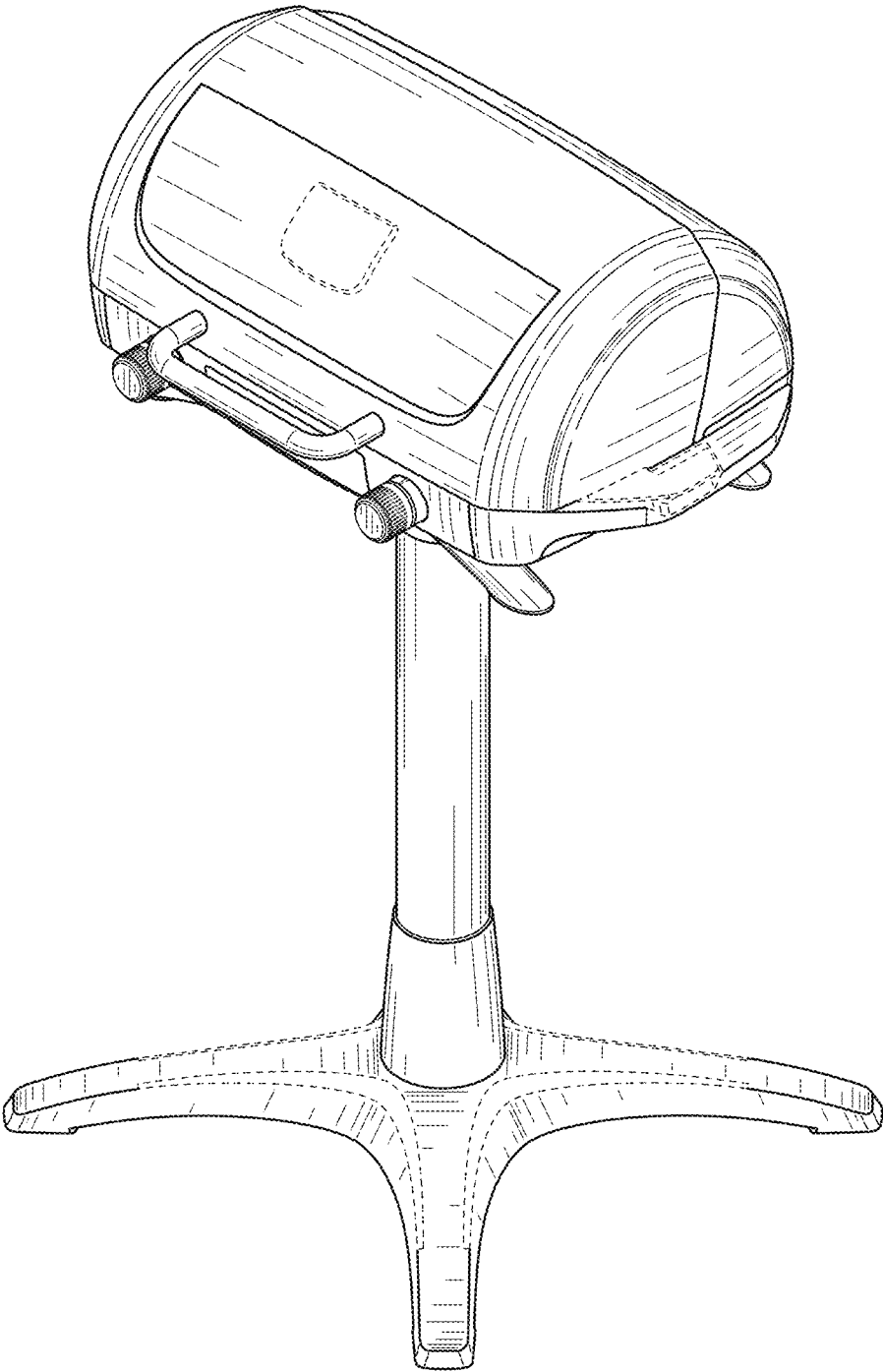


FIG. 1

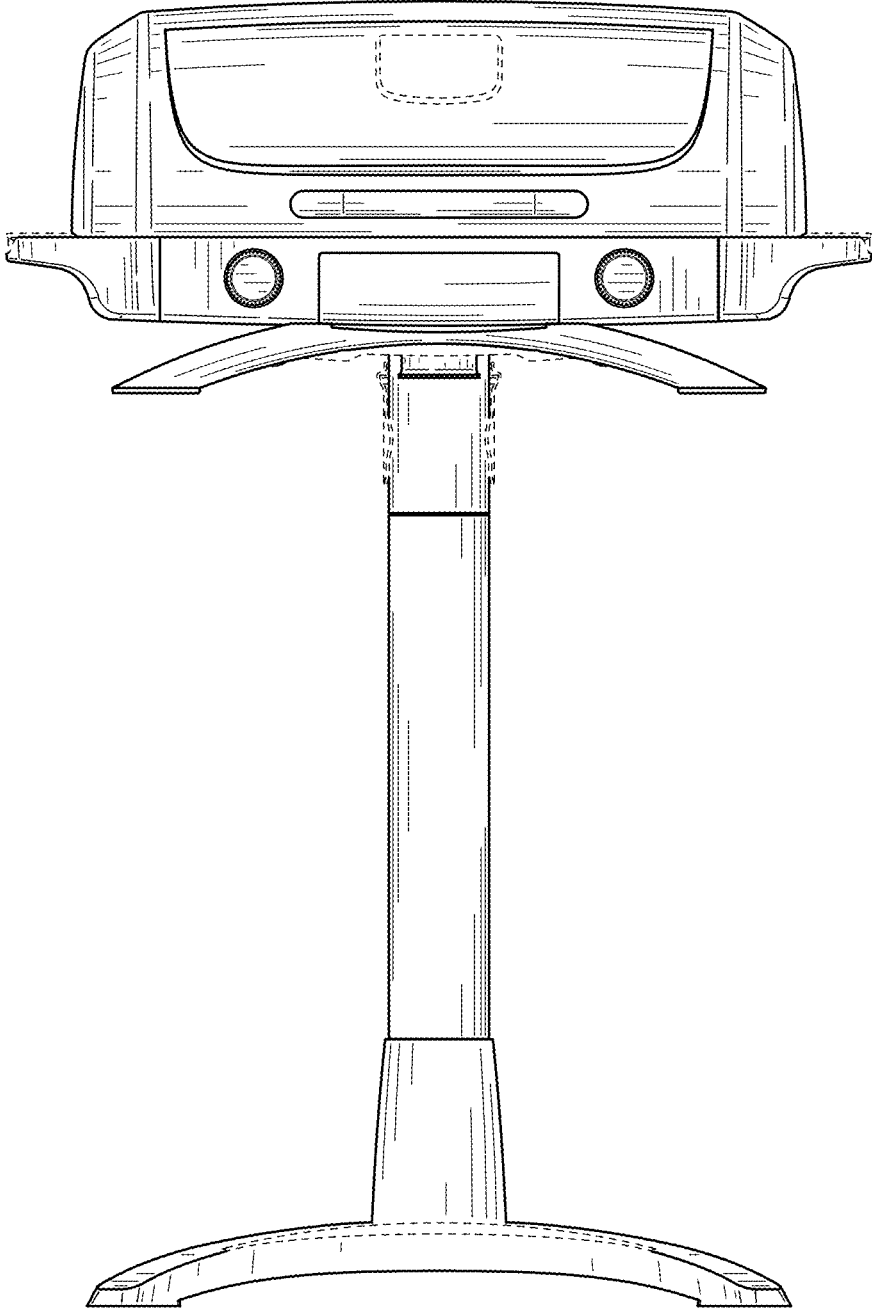


FIG. 2

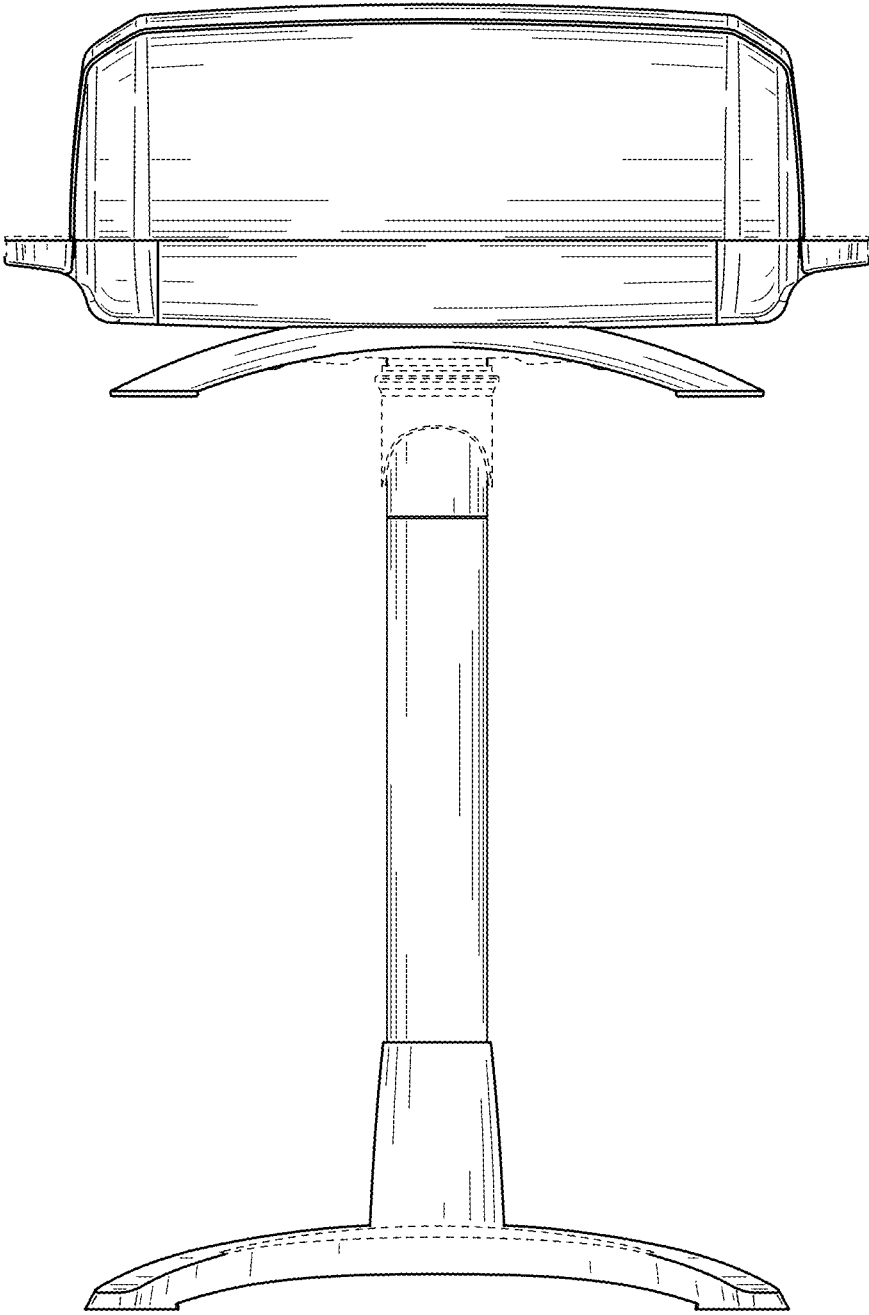


FIG. 3

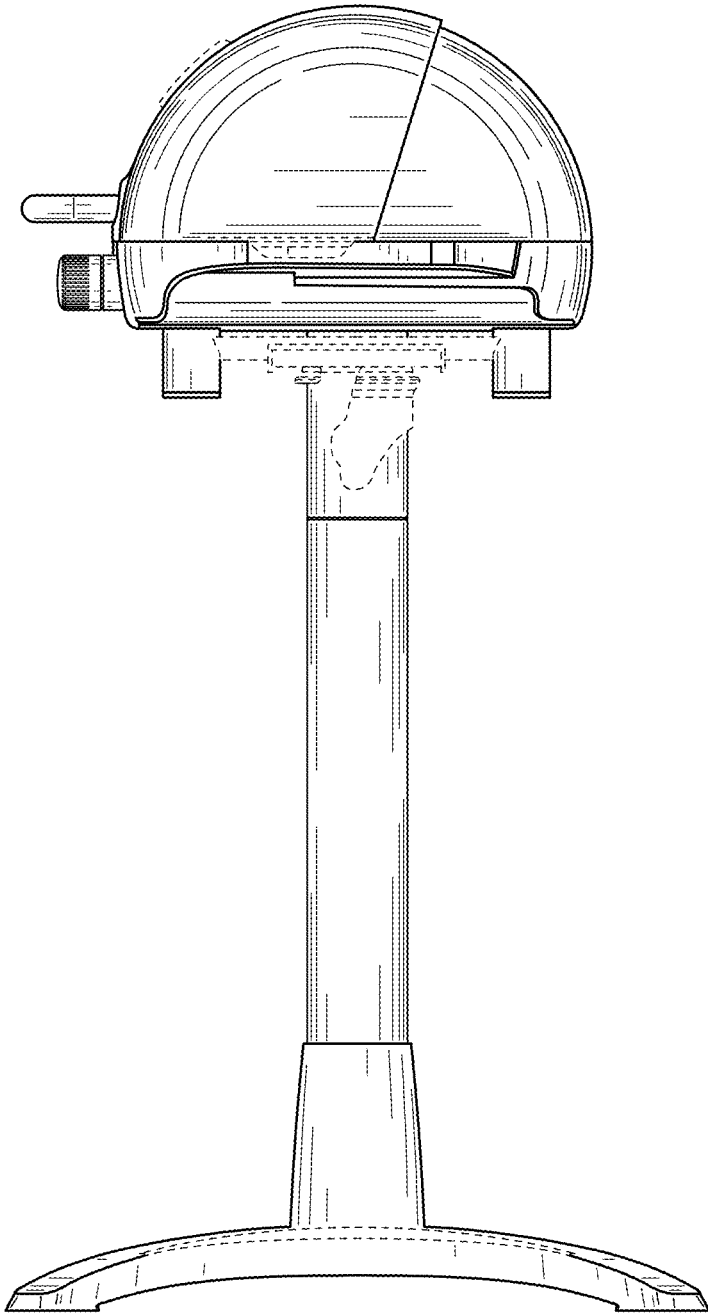


FIG. 4

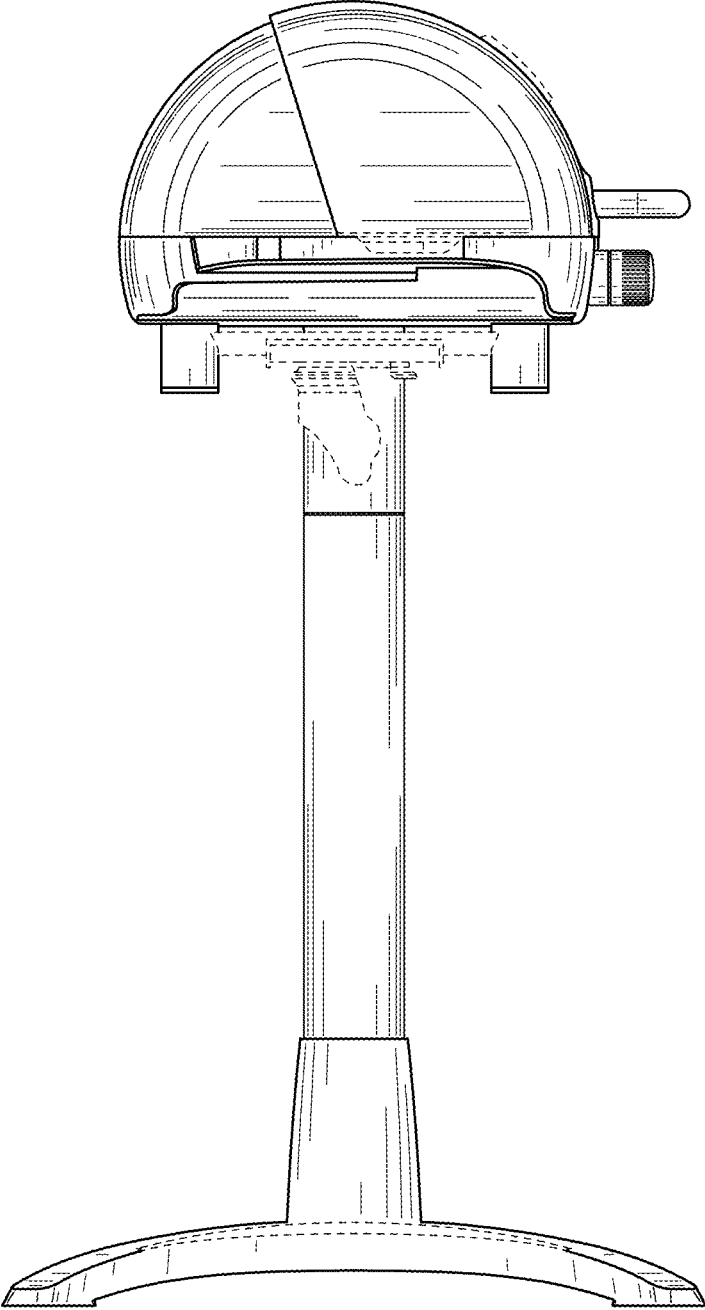


FIG. 5

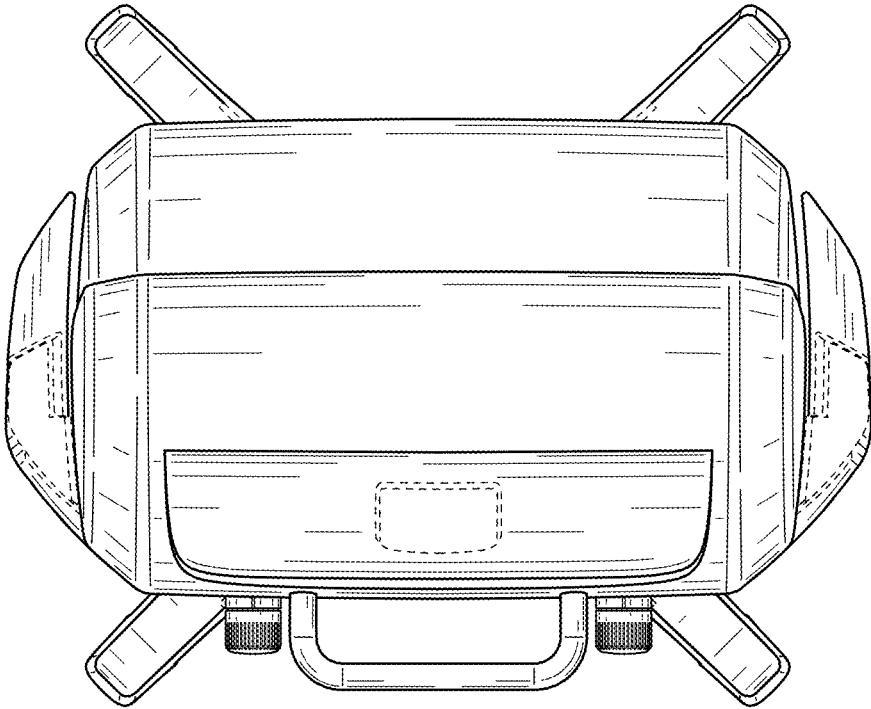


FIG. 6