

(19) World Intellectual Property Organization
International Bureau



(43) International Publication Date
16 December 2010 (16.12.2010)

(10) International Publication Number
WO 2010/143078 A3

(51) International Patent Classification:
H01R 13/703 (2006.01) *B60R 21/017* (2006.01)

(21) International Application Number:
PCT/IB2010/001944

(22) International Filing Date:
9 June 2010 (09.06.2010)

(25) Filing Language: English

(26) Publication Language: English

(30) Priority Data:
PCT/IB2009/006338 9 June 2009 (09.06.2009) IB

(71) Applicant (for all designated States except US): FCI [FR/FR]; 18 Parc Ariane III, 3/5 Rue Alfred Kastler, F-78280 Guyancourt (FR).

(72) Inventors; and

(75) Inventors/Applicants (for US only): ODORFER, Frank [DE/DE]; Georg-Beck-street 6, D-90552 Röthenbach an der Pegnitz (DE). REGNIER, Vincent [FR/DE]; Priessnitzstrasse 12, 90419 Nuernberg (DE). KUEHNEL, Bernhard [DE/DE]; Röthenbacher Straße 6, 90518 Altdorf (DE). GUNREBEN, Michael [DE/DE]; Querstrasse 3, 90596 Schwanstetten (DE).

(74) Agent: REGI, François-Xavier; FCI – IP Department, 18 Parc Ariane III, 3/5 Rue Alfred Kastler, F-78284 Guyancourt Cedex (FR).

(81) Designated States (unless otherwise indicated, for every kind of national protection available): AE, AG, AL, AM, AO, AT, AU, AZ, BA, BB, BG, BH, BR, BW, BY, BZ, CA, CH, CL, CN, CO, CR, CU, CZ, DE, DK, DM, DO, DZ, EC, EE, EG, ES, FI, GB, GD, GE, GH, GM, GT, HN, HR, HU, ID, IL, IN, IS, JP, KE, KG, KM, KN, KP, KR, KZ, LA, LC, LK, LR, LS, LT, LU, LY, MA, MD, ME, MG, MK, MN, MW, MX, MY, MZ, NA, NG, NI, NO, NZ, OM, PE, PG, PH, PL, PT, RO, RS, RU, SC, SD, SE, SG, SK, SL, SM, ST, SV, SY, TH, TJ, TM, TN, TR, TT, TZ, UA, UG, US, UZ, VC, VN, ZA, ZM, ZW.

(84) Designated States (unless otherwise indicated, for every kind of regional protection available): ARIPO (BW, GH, GM, KE, LR, LS, MW, MZ, NA, SD, SL, SZ, TZ, UG, ZM, ZW), Eurasian (AM, AZ, BY, KG, KZ, MD, RU, TJ, TM), European (AL, AT, BE, BG, CH, CY, CZ, DE, DK, EE, ES, FI, FR, GB, GR, HR, HU, IE, IS, IT, LT, LU, LV, MC, MK, MT, NL, NO, PL, PT, RO, SE, SI, SK, SM, TR), OAPI (BF, BJ, CF, CG, CI, CM, GA, GN, GQ, GW, ML, MR, NE, SN, TD, TG).

Published:

— with international search report (Art. 21(3))

[Continued on next page]

(54) Title: CONNECTOR FOR A SAFETY RESTRAINT SYSTEM

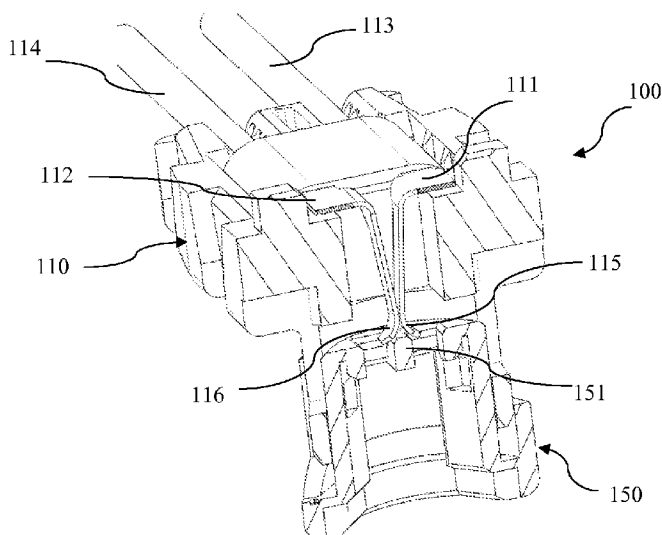


Fig. 1A

(57) Abstract: The present invention relates to squib connectors for instance for airbag ignition systems, which allow the electrical or electronic monitoring of the correct coupling of a squib plug-connector (100) with its corresponding counterpart (150). According to the invention, a squib connector has at least two terminals (111, 112) having corresponding signal lines (113, 114). In order to allow an electrical monitoring of the correct coupling of the plug connector, the terminals are in electrical contact with each other in the uncoupled or incorrectly coupled condition of the plug connector. This electrical contact between the terminals is adapted for being separated upon correct coupling to a corresponding counter-connector either automatically or by an actuating action. The disconnecting of the terminals may then be monitored by any suitable monitoring means.

WO 2010/143078 A3

(88) Date of publication of the international search report:
21 April 2011

INTERNATIONAL SEARCH REPORT

International application No PCT/IB2010/001944

A. CLASSIFICATION OF SUBJECT MATTER
 INV. H01R13/703 B60R21/017
 ADD.

According to International Patent Classification (IPC) or to both national classification and IPC

B. FIELDS SEARCHED

Minimum documentation searched (classification system followed by classification symbols)
 B60R H01R

Documentation searched other than minimum documentation to the extent that such documents are included in the fields searched

Electronic data base consulted during the international search (name of data base and, where practical, search terms used)

EPO-Internal

C. DOCUMENTS CONSIDERED TO BE RELEVANT

Category*	Citation of document, with indication, where appropriate, of the relevant passages	Relevant to claim No.
X	GB 2 276 283 A (WHITAKER CORP [US]) 21 September 1994 (1994-09-21) page 4, line 19 - line 23 page 7, line 23 - page 8, line 1 -----	1-3,5-7, 10,11, 15,16
A	WO 2007/131535 A1 (FRAMATOME CONNECTORS INT [FR]; REGNIER VINCENT [DE]; GUNREBEN MICHAEL) 22 November 2007 (2007-11-22) the whole document -----	1-16
A	US 5 598 624 A (ITO KEIICHI [JP] ET AL) 4 February 1997 (1997-02-04) the whole document -----	1-16

Further documents are listed in the continuation of Box C.

See patent family annex.

* Special categories of cited documents :

- "A" document defining the general state of the art which is not considered to be of particular relevance
- "E" earlier document but published on or after the international filing date
- "L" document which may throw doubts on priority claim(s) or which is cited to establish the publication date of another citation or other special reason (as specified)
- "O" document referring to an oral disclosure, use, exhibition or other means
- "P" document published prior to the international filing date but later than the priority date claimed

- "T" later document published after the international filing date or priority date and not in conflict with the application but cited to understand the principle or theory underlying the invention
- "X" document of particular relevance; the claimed invention cannot be considered novel or cannot be considered to involve an inventive step when the document is taken alone
- "Y" document of particular relevance; the claimed invention cannot be considered to involve an inventive step when the document is combined with one or more other such documents, such combination being obvious to a person skilled in the art.
- "&" document member of the same patent family

Date of the actual completion of the international search

28 January 2011

Date of mailing of the international search report

04/02/2011

Name and mailing address of the ISA/

European Patent Office, P.B. 5818 Patentlaan 2
 NL - 2280 HV Rijswijk
 Tel. (+31-70) 340-2040,
 Fax: (+31-70) 340-3016

Authorized officer

Standring, Michael

INTERNATIONAL SEARCH REPORT

Information on patent family members

International application No
PCT/IB2010/001944

Patent document cited in search report	Publication date	Patent family member(s)	Publication date
GB 2276283	A	21-09-1994	DE 4408569 A1 22-09-1994
			JP 3400076 B2 28-04-2003
			JP 6295774 A 21-10-1994
			US 5273448 A 28-12-1993

WO 2007131535	A1	22-11-2007	NONE

US 5598624	A	04-02-1997	NONE
