

(19) World Intellectual Property Organization  
International Bureau



(43) International Publication Date  
28 September 2006 (28.09.2006)

PCT

(10) International Publication Number  
**WO 2006/100682 A3**

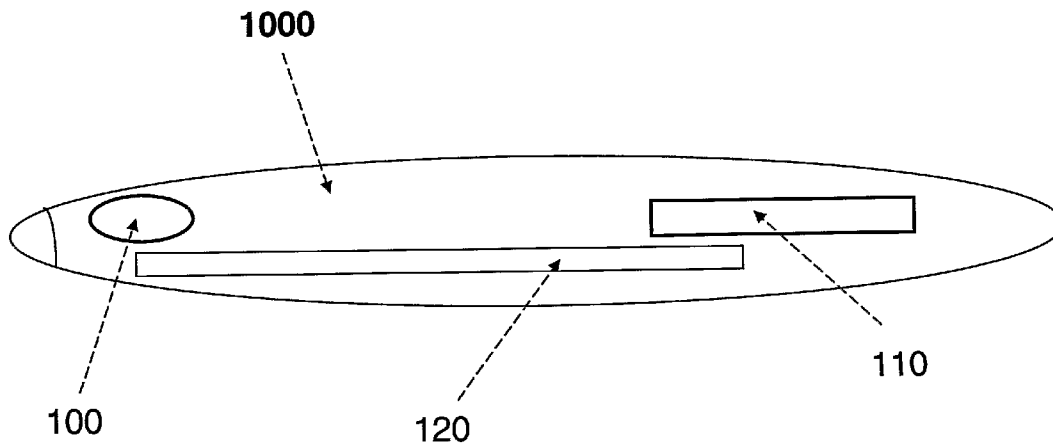
- (51) International Patent Classification:  
G06F 3/033 (2006.01) G06F 3/043 (2006.01)
- (21) International Application Number:  
PCT/IL2006/000373
- (22) International Filing Date: 23 March 2006 (23.03.2006)
- (25) Filing Language: English
- (26) Publication Language: English
- (30) Priority Data:  
60/664,202 23 March 2005 (23.03.2005) US
- (71) Applicant (for all designated States except US): **EPOS TECHNOLOGIES LIMITED** [GB/GB]; "trident Chambers", P. O. Box 146, Road Town, Tortola, . (VG).
- (72) Inventors; and
- (75) Inventors/Applicants (for US only): **RAIF, Ran** [IL/IL]; 44/24 Levi Eshkol Street, 69361 Tel-aviv (IL). **KEDEM, Noam** [IL/IL]; Moshav Lahish, 79360 Moshav Lahish (IL). **KOKAREV, Michael** [IL/IL]; 35/7 Weizmann Street, 44351 Kfar-saba (IL). **GOTMAN, Max** [IL/IL]; 4/22 Mivtza Yonathan Street, 44221 Kfar-saba (IL). **ALTMAN, Nathan** [IL/IL]; 39 Hahashmonaim Street, 64251 Tel-aviv (IL).
- (74) Agent: **G.E. EHRLICH (1995) LTD.**; 11 Menachem Begin Street, 52 521 Ramat Gan (IL).

- (81) Designated States (unless otherwise indicated, for every kind of national protection available): AE, AG, AL, AM, AT, AU, AZ, BA, BB, BG, BR, BW, BY, BZ, CA, CH, CN, CO, CR, CU, CZ, DE, DK, DM, DZ, EC, EE, EG, ES, FI, GB, GD, GE, GH, GM, HR, HU, ID, IL, IN, IS, JP, KE, KG, KM, KN, KP, KR, KZ, LC, LK, LR, LS, LT, LU, LV, LY, MA, MD, MG, MK, MN, MW, MX, MZ, NA, NG, NI, NO, NZ, OM, PG, PH, PL, PT, RO, RU, SC, SD, SE, SG, SK, SL, SM, SY, TJ, TM, TN, TR, TT, TZ, UA, UG, US, UZ, VC, VN, YU, ZA, ZM, ZW.
- (84) Designated States (unless otherwise indicated, for every kind of regional protection available): ARIPO (BW, GH, GM, KE, LS, MW, MZ, NA, SD, SL, SZ, TZ, UG, ZM, ZW), Eurasian (AM, AZ, BY, KG, KZ, MD, RU, TJ, TM), European (AT, BE, BG, CH, CY, CZ, DE, DK, EE, ES, FI, FR, GB, GR, HU, IE, IS, IT, LT, LU, LV, MC, NL, PL, PT, RO, SE, SI, SK, TR), OAPI (BF, BJ, CF, CG, CI, CM, GA, GN, GQ, GW, ML, MR, NE, SN, TD, TG).

- Published:**
- with international search report
  - before the expiration of the time limit for amending the claims and to be republished in the event of receipt of amendments
- (88) Date of publication of the international search report:  
31 May 2007

For two-letter codes and other abbreviations, refer to the "Guidance Notes on Codes and Abbreviations" appearing at the beginning of each regular issue of the PCT Gazette.

(54) Title: METHOD AND SYSTEM FOR DIGITAL PEN ASSEMBLY



(57) Abstract: A digital pen (1000) comprising: an electric circuit (110), an acoustic transmitter (100), detached from the electric circuit (110), and configured to transmit acoustic signals, and a resilient holder (120), configured to mechanically press the electric circuit (110) into electrical contact with the transmitter (100), so as to electrically connect the electric circuit (110) and the transmitter (100).

WO 2006/100682 A3

## INTERNATIONAL SEARCH REPORT

International application No  
PCT/IL2006/000373A. CLASSIFICATION OF SUBJECT MATTER  
INV. G06F3/033 G06F3/043

According to International Patent Classification (IPC) or to both national classification and IPC

## B. FIELDS SEARCHED

Minimum documentation searched (classification system followed by classification symbols)  
G06F H01H

Documentation searched other than minimum documentation to the extent that such documents are included in the fields searched

Electronic data base consulted during the international search (name of data base and, where practical, search terms used)

EPO-Internal, WPI Data

## C. DOCUMENTS CONSIDERED TO BE RELEVANT

Category*	Citation of document, with indication, where appropriate, of the relevant passages	Relevant to claim No.
X	WO 03/069547 A (ANOTO AB) 21 August 2003 (2003-08-21) page 8, line 25 - page 10, line 6 page 13, line 19 - page 14, line 16; figures 1-4c	1, 2, 5-7, 9
X	WO 02/01466 A (VIRTUAL INK CORP.) 3 January 2002 (2002-01-03)	12, 13, 15-19, 24, 25, 41, 44-46
A	page 4, line 30 - page 5, line 19  page 14, line 18 - page 15, line 28; figures 1A, 1B, 4A-4F  ----- -/--	1, 3, 20, 21, 24, 31-33, 35, 37, 39

 Further documents are listed in the continuation of Box C. See patent family annex.

\* Special categories of cited documents :

- \*A\* document defining the general state of the art which is not considered to be of particular relevance
- \*E\* earlier document but published on or after the international filing date
- \*L\* document which may throw doubts on priority claim(s) or which is cited to establish the publication date of another citation or other special reason (as specified)
- \*O\* document referring to an oral disclosure, use, exhibition or other means
- \*P\* document published prior to the international filing date but later than the priority date claimed

- \*T\* later document published after the international filing date or priority date and not in conflict with the application but cited to understand the principle or theory underlying the invention
- \*X\* document of particular relevance; the claimed invention cannot be considered novel or cannot be considered to involve an inventive step when the document is taken alone
- \*Y\* document of particular relevance; the claimed invention cannot be considered to involve an inventive step when the document is combined with one or more other such documents, such combination being obvious to a person skilled in the art.
- \* & \* document member of the same patent family

Date of the actual completion of the international search

12 April 2007

Date of mailing of the international search report

18/04/2007

Name and mailing address of the ISA/

European Patent Office, P.B. 5818 Patentlaan 2  
NL - 2280 HV Rijswijk  
Tel. (+31-70) 340-2040, Tx. 31 651 epo nl,  
Fax: (+31-70) 340-3016

Authorized officer

Taylor, Paul

## INTERNATIONAL SEARCH REPORT

International application No  
PCT/IL2006/000373

C(Continuation). DOCUMENTS CONSIDERED TO BE RELEVANT

Category*	Citation of document, with indication, where appropriate, of the relevant passages	Relevant to claim No.
X	EP 1 450 296 A (MICROSOFT CORP.) 25 August 2004 (2004-08-25)	12, 17-19, 23,39
A	paragraph [0017] - paragraph [0028]; figures 1,2	1,3,10, 21,24, 26,31-37
X	----- WO 01/35329 A (ITPEN LTD.) 17 May 2001 (2001-05-17)	12,23, 39,47
A	page 22, line 12 - page 23, line 30  page 31, column 9 - page 32, column 16 page 15, line 16 - line 22; figures 2,3,6A,6B	1,3,10, 20,21, 24,26, 28,31-38
X	----- US 2004/032399 A1 (SEKIGUCHI ET AL.) 19 February 2004 (2004-02-19)	12,39,40
A	paragraph [0042] - paragraph [0063]  paragraph [0067] - paragraph [0072]; figures 1-3B,5	1,3,8, 20,21, 26,28, 30-38
X	----- US 4 991 148 A (GILCHRIST) 5 February 1991 (1991-02-05)  column 3, line 44 - column 4, line 21 column 5, paragraph 47 - column 8, paragraph 59; figures 1,7-11	23,26, 27,29, 31,37,39
X	----- WO 2004/010592 A (MEASUREMENT SPECIALITIES INC.) 29 January 2004 (2004-01-29)	12,17,19
A	paragraph [0077] - paragraph [0079]; figures 1A,3	1,3,20
X	----- US 2003/142065 A1 (PAHLAVAN) 31 July 2003 (2003-07-31) paragraph [0025] - paragraph [0026] paragraph [0057]; claim 4; figures 1-3	47

## INTERNATIONAL SEARCH REPORT

Information on patent family members

International application No

PCT/IL2006/000373

Patent document cited in search report		Publication date	Patent family member(s)	Publication date
WO 03069547	A	21-08-2003	AU 2003206548 A1 CN 1630880 A EP 1485866 A1 SE 0200419 A US 2005030297 A1	04-09-2003 22-06-2005 15-12-2004 13-08-2003 10-02-2005
WO 0201466	A	03-01-2002	AU 7147301 A	08-01-2002
EP 1450296	A	25-08-2004	BR 0400130 A CN 1521688 A JP 2004246904 A KR 20040073997 A US 2004160429 A1	28-12-2004 18-08-2004 02-09-2004 21-08-2004 19-08-2004
WO 0135329	A	17-05-2001	AR 028185 A1 AT 274723 T AU 778324 B2 AU 1073000 A CA 2390362 A1 DE 69919759 D1 DE 69919759 T2 EP 1228480 A1 JP 2003514310 T MX PA02004592 A TW 550512 B	30-04-2003 15-09-2004 25-11-2004 06-06-2001 17-05-2001 30-09-2004 01-09-2005 07-08-2002 15-04-2003 10-09-2004 01-09-2003
US 2004032399	A1	19-02-2004	JP 2004078496 A	11-03-2004
US 4991148	A	05-02-1991	CA 2024527 A1 DE 69030908 D1 EP 0420500 A2 JP 3146891 A	27-03-1991 17-07-1997 03-04-1991 21-06-1991
WO 2004010592	A	29-01-2004	AU 2003254104 A1 EP 1529315 A2 JP 2005534230 T KR 20050035869 A	09-02-2004 11-05-2005 10-11-2005 19-04-2005
US 2003142065	A1	31-07-2003	NONE	