



US0D1016871S

(12) **United States Design Patent**  
**Autorino et al.**

(10) **Patent No.:** **US D1,016,871 S**

(45) **Date of Patent:** **\*\* Mar. 5, 2024**

(54) **INDUSTRIAL ROBOT**

(71) Applicant: **Protom Robotics S.r.l.**, Naples (IT)

(72) Inventors: **Claudio Autorino**, Naples (IT); **Marco Binaghi**, Naples (IT); **Patrizio Cionfoli**, Naples (IT); **Alice Pellizzon**, Naples (IT)

(73) Assignee: **PROTOM ROBOTICS S.R.L.**, Naples (IT)

(\*\*) Term: **15 Years**

(21) Appl. No.: **29/840,388**

(22) Filed: **May 27, 2022**

(30) **Foreign Application Priority Data**

Nov. 30, 2021 (EM) ..... 008782361

(51) **LOC (14) Cl.** ..... **15-99**

(52) **U.S. Cl.**  
USPC ..... **D15/199**

(58) **Field of Classification Search**  
USPC ..... D15/199; D21/578-583, 621, 622  
CPC ..... B25J 5/007; B25J 11/008; B60B 19/006;  
B62D 57/024; Y10S 901/01  
See application file for complete search history.

(56) **References Cited**

**U.S. PATENT DOCUMENTS**

D239,636 S *	4/1976	Knudsen et al. ....	D21/621
D252,936 S *	9/1979	Tibbitts, Jr. ....	D21/578
D272,933 S *	3/1984	Murakami ....	D21/578
D290,032 S *	5/1987	Horiuchi ....	D21/578
D290,146 S *	6/1987	Horiuchi ....	D21/578
D644,256 S *	8/2011	Kitano ....	D15/199
D663,333 S *	7/2012	Kitano ....	D15/199
D677,744 S *	3/2013	Yu ....	D21/578
D701,256 S *	3/2014	Song ....	D15/199
D738,966 S *	9/2015	Chen ....	D21/621

D739,480 S *	9/2015	Hernandez Ortega .....	D21/578
D811,496 S *	2/2018	Belker .....	D21/659
D823,917 S *	7/2018	Bernazeau .....	D21/578
D831,130 S *	10/2018	Davis .....	D21/578
D884,043 S *	5/2020	Song .....	D15/199
D891,496 S *	7/2020	Okawa .....	D15/199
D896,291 S *	9/2020	Xing .....	D15/199
D907,306 S *	1/2021	Tang .....	D30/122

(Continued)

*Primary Examiner* — Patricia A Palasik

(74) *Attorney, Agent, or Firm* — Finch & Maloney PLLC

(57) **CLAIM**

The ornamental design for an industrial robot, as shown and described.

**DESCRIPTION**

FIG. 1 is a top, front, and side perspective view of an industrial robot, showing our new design according to a first embodiment;

FIG. 2 is a top, rear, and side perspective view thereof;

FIG. 3 is a front elevational view thereof;

FIG. 4 is a rear elevational view thereof;

FIG. 5 is a top plan view thereof;

FIG. 6 is a bottom plan view thereof;

FIG. 7 is a first side view thereof;

FIG. 8 is a second side view thereof;

FIG. 9 is a top, front, and side perspective view of an industrial robot, showing our new design according to a second embodiment;

FIG. 10 is a top, rear, and side perspective view thereof;

FIG. 11 is a front elevational view thereof;

FIG. 12 is a rear elevational view thereof;

FIG. 13 is a top plan view thereof;

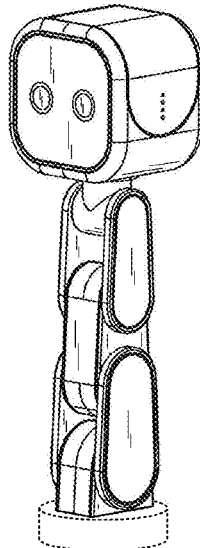
FIG. 14 is a bottom plan view thereof;

FIG. 15 is a first side view thereof; and,

FIG. 16 is a second side view thereof.

Broken lines indicate environmental structure that forms no part of the claimed design.

**1 Claim, 6 Drawing Sheets**



(56)

**References Cited**

U.S. PATENT DOCUMENTS

D909,496	S	*	2/2021	Zou	.....	D21/578
D910,782	S	*	2/2021	Zhou	.....	D21/578
D917,635	S	*	4/2021	Li	.....	D21/621
D918,979	S	*	5/2021	Mullan	.....	D21/578
D919,717	S	*	5/2021	Paul	.....	D21/578
D930,497	S	*	9/2021	Bing	.....	D11/83
D933,728	S	*	10/2021	Zhang	.....	D21/578
D951,370	S	*	5/2022	Zhang	.....	D15/199
D966,434	S	*	10/2022	Lee	.....	D21/578
D975,765	S	*	1/2023	Chen	.....	D15/199
D982,106	S	*	3/2023	Park	.....	D21/621
D994,795	S	*	8/2023	Kim	.....	D21/658

\* cited by examiner

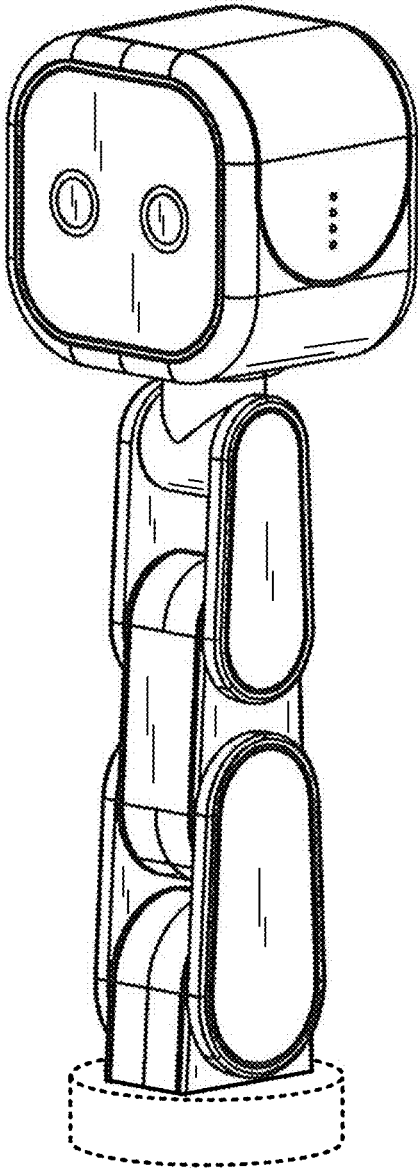


FIG. 1

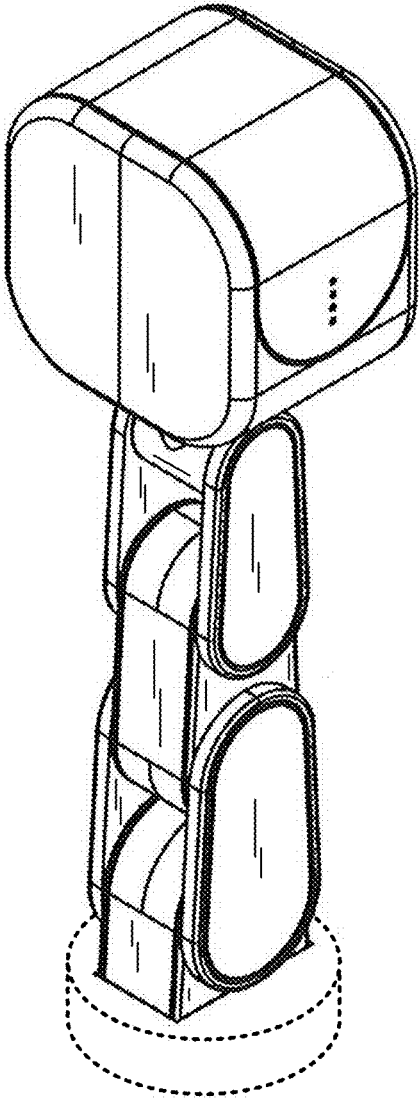


FIG. 2

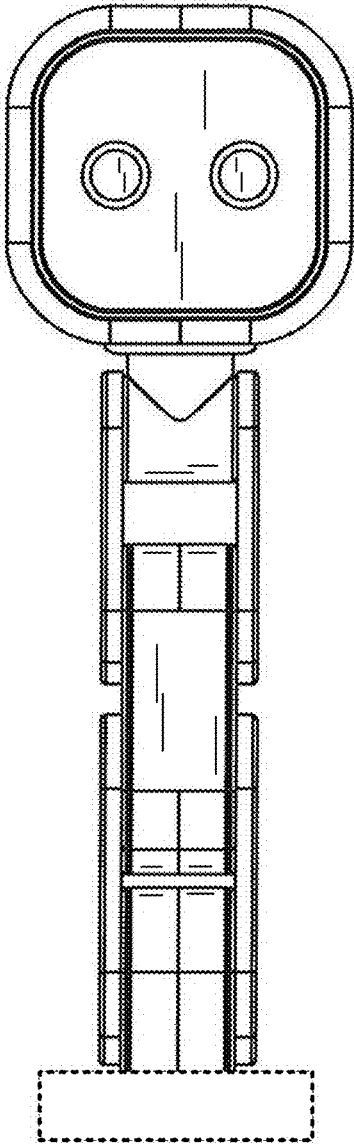


FIG. 3

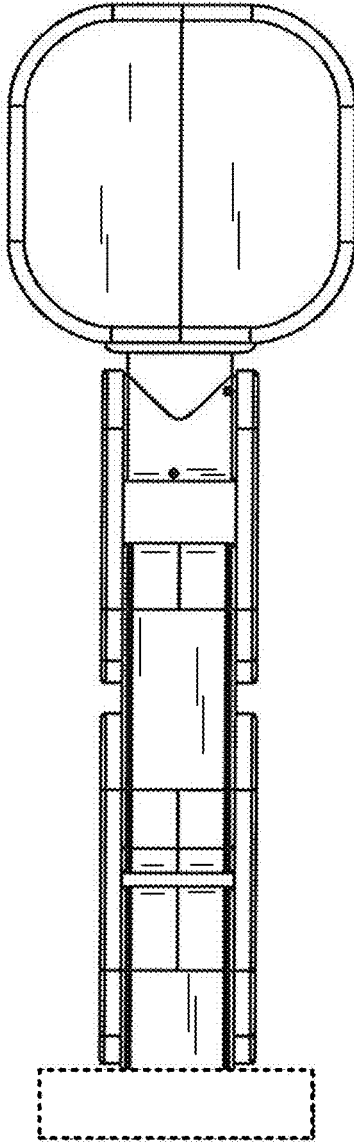


FIG. 4

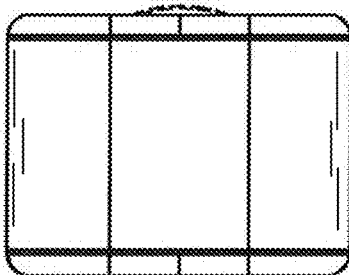


FIG. 5

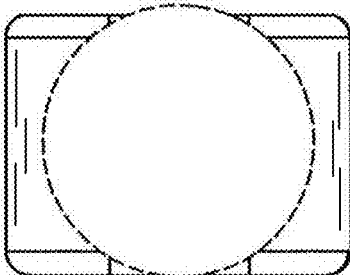


FIG. 6

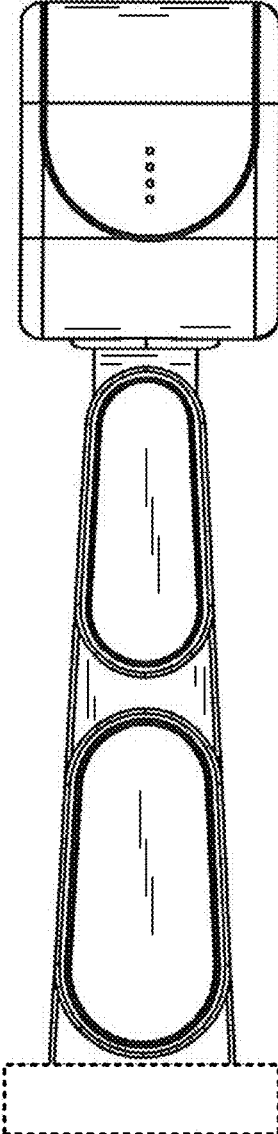


FIG. 7

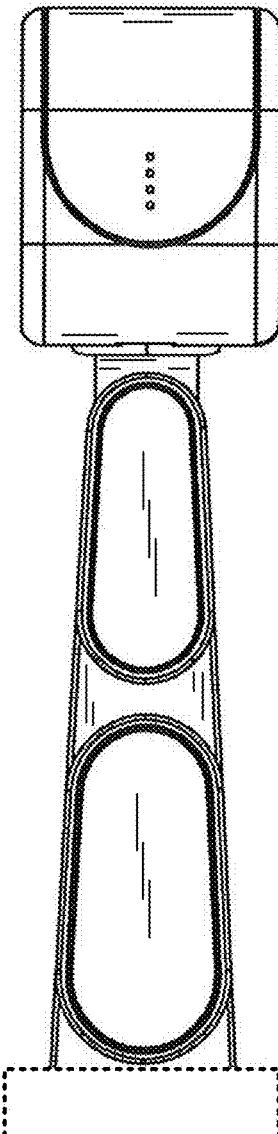


FIG. 8

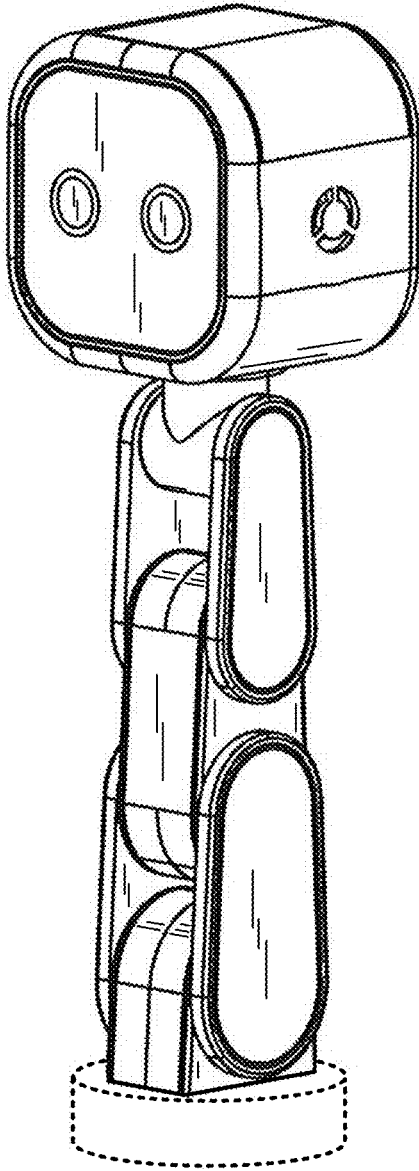


FIG. 9

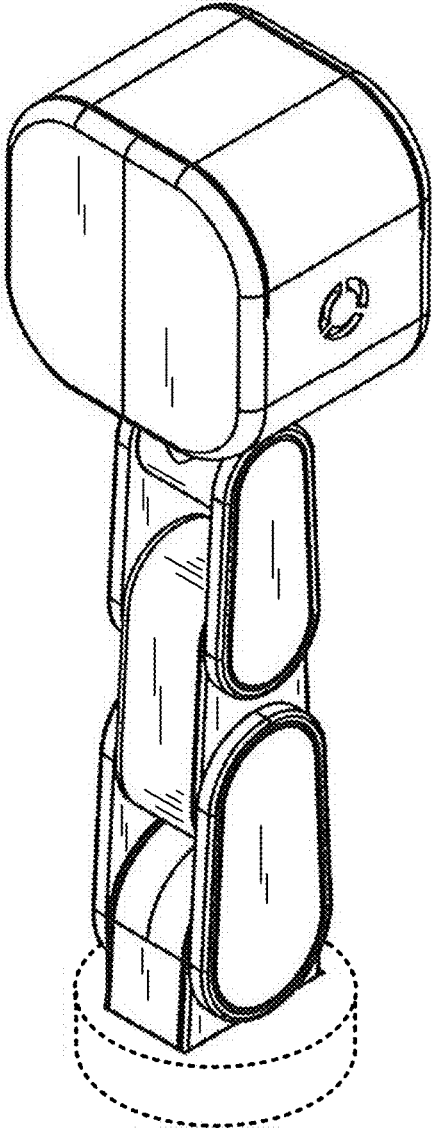


FIG. 10

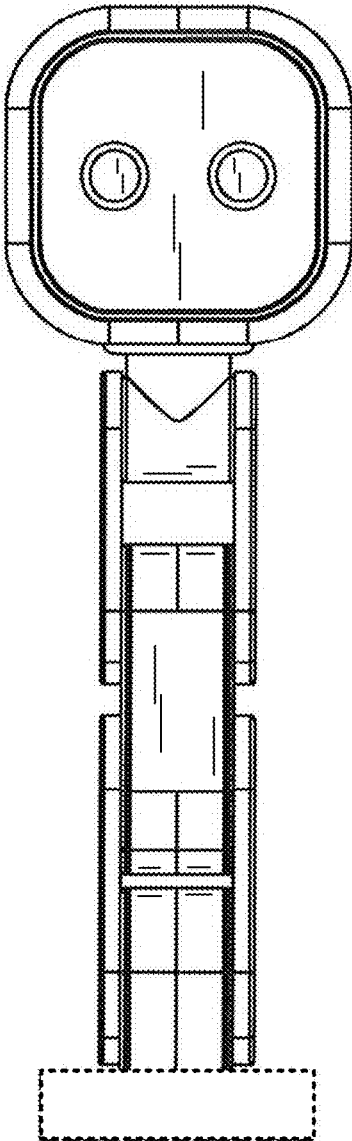


FIG. 11

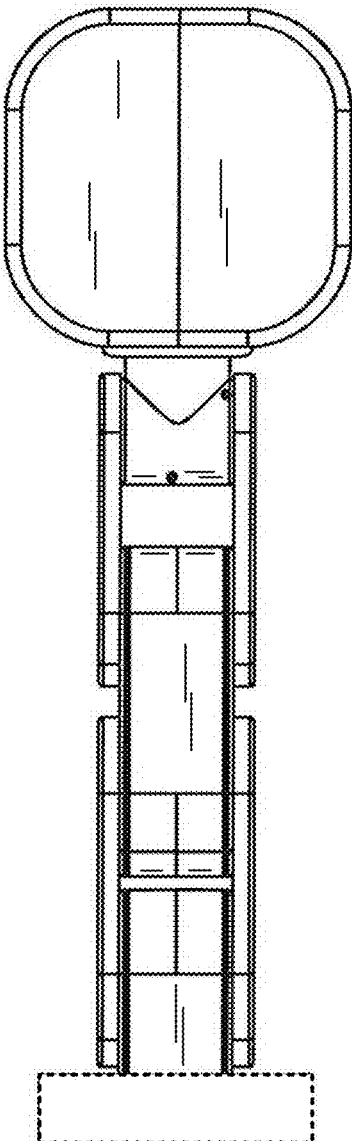


FIG. 12

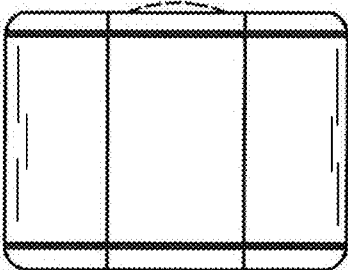


FIG. 13

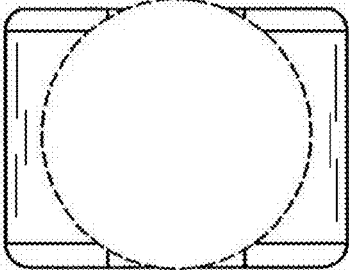


FIG. 14

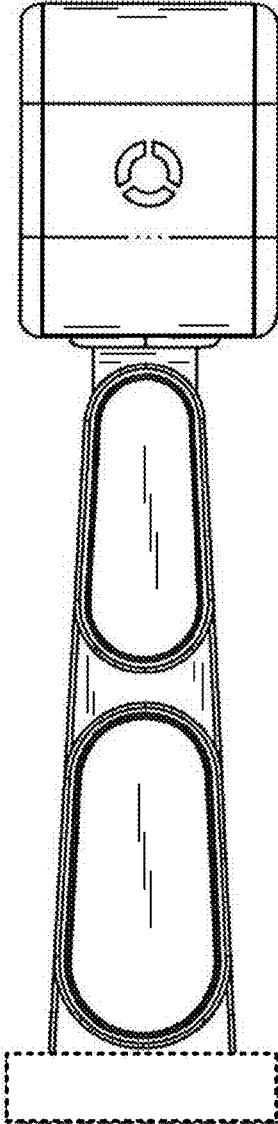


FIG. 15

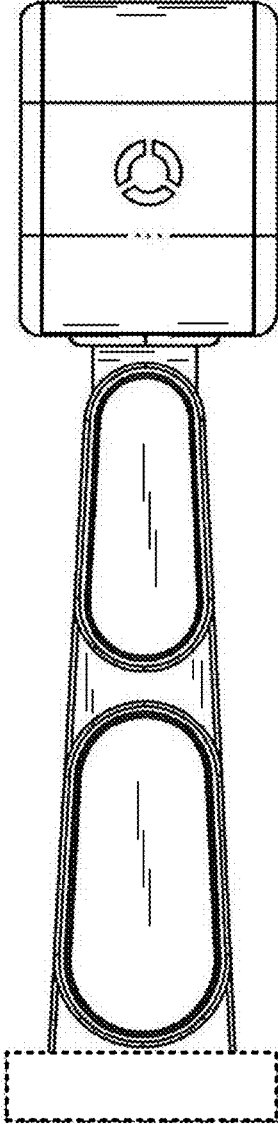


FIG. 16