



US00D714841S

(12) **United States Design Patent**
Jeon et al.

(10) **Patent No.:** **US D714,841 S**
(45) **Date of Patent:** **** Oct. 7, 2014**

- (54) **REFRIGERATOR TRAY**
- (71) Applicant: **Samsung Electronics Co., Ltd.**,
Suwon-si (KR)
- (72) Inventors: **Sang-Woon Jeon**, Namyangju-si (KR);
Min-Hyong Boo, Seoul (KR);
Jae-Moon Lee, Seoul (KR)
- (73) Assignee: **Samsung Electronics Co., Ltd.** (KR)
- (**) Term: **14 Years**
- (21) Appl. No.: **29/460,381**
- (22) Filed: **Jul. 10, 2013**
- (30) **Foreign Application Priority Data**
Jan. 11, 2013 (KR) 30-2013-0001823
- (51) **LOC (10) Cl.** **15-07**
- (52) **U.S. Cl.**
USPC **D15/89**
- (58) **Field of Classification Search**
USPC D15/79-89, 91; 62/3.6-3.64, 293, 331,
62/371, 440-446, 467, 382, 517, 265;
312/112-119, 236, 400-408; D3/304,
D3/313, 315; D7/550.1, 552.1,
D7/553.1-553.4, 555, 549, 701; D6/406.1,
D6/406.3, 336, 510
See application file for complete search history.

(56) **References Cited**

U.S. PATENT DOCUMENTS

3,218,111	A *	11/1965	Steiner	312/405.1
4,586,347	A *	5/1986	McCarty	62/265
5,209,082	A *	5/1993	Ha	62/265
6,055,823	A *	5/2000	Baker et al.	62/265
D449,624	S *	10/2001	Yu	D15/81
7,108,342	B2 *	9/2006	Shin et al.	312/405

7,254,958	B2 *	8/2007	Kim et al.	62/265
7,318,633	B2 *	1/2008	Shin et al.	312/405
D601,596	S *	10/2009	Yoon et al.	D15/85
D617,353	S *	6/2010	Jeon et al.	D15/86
D629,022	S *	12/2010	Cho et al.	D15/85
D631,491	S *	1/2011	Kristiansen et al.	D15/86
7,967,403	B2 *	6/2011	Kim	312/405
D647,544	S *	10/2011	Kristiansen et al.	D15/86
D656,967	S *	4/2012	Yi et al.	D15/86
8,262,176	B2 *	9/2012	Lee	312/405.1
D674,414	S *	1/2013	Lee et al.	D15/86
8,408,664	B2 *	4/2013	Park et al.	312/405
D691,644	S *	10/2013	Cho et al.	D15/86
8,607,584	B2 *	12/2013	Song et al.	62/377

* cited by examiner

Primary Examiner — Mitchell Siegel

(74) *Attorney, Agent, or Firm* — Cantor Colburn LLP

(57) **CLAIM**

We claim, the ornamental design for a refrigerator tray, as shown and described.

DESCRIPTION

FIG. 1 is a perspective view of a refrigerator tray, showing our new design in an exemplary embodiment;
 FIG. 2 is a front elevation view thereof;
 FIG. 3 is a rear elevation view thereof;
 FIG. 4 is a side elevation view thereof;
 FIG. 5 is a another side elevation view thereof;
 FIG. 6 is a top plan view thereof;
 FIG. 7 is a bottom plan view thereof;
 FIG. 8 is a perspective view thereof configured in a second position; and,
 FIG. 9 is a perspective view thereof shown in a refrigerator environment.

The broken-line disclosure in the views is generally understood to form part of the environment in which the claimed design is embodied and to form no part of the claimed design.

1 Claim, 6 Drawing Sheets

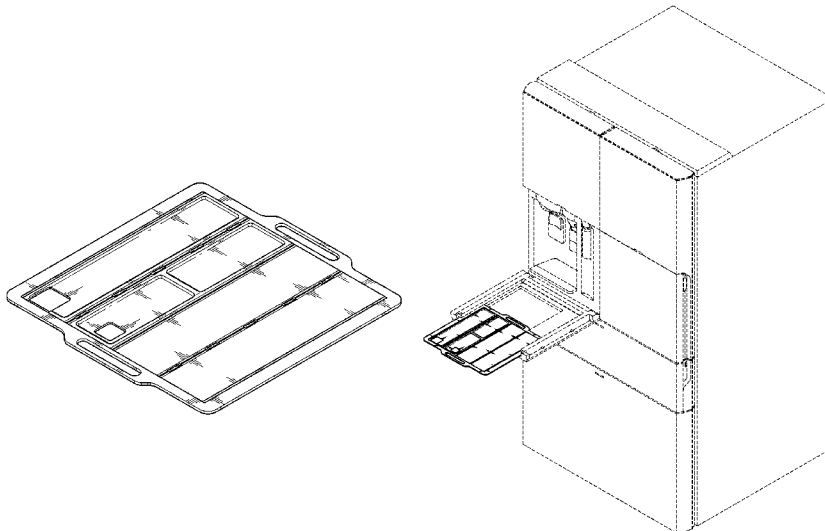


FIG. 1

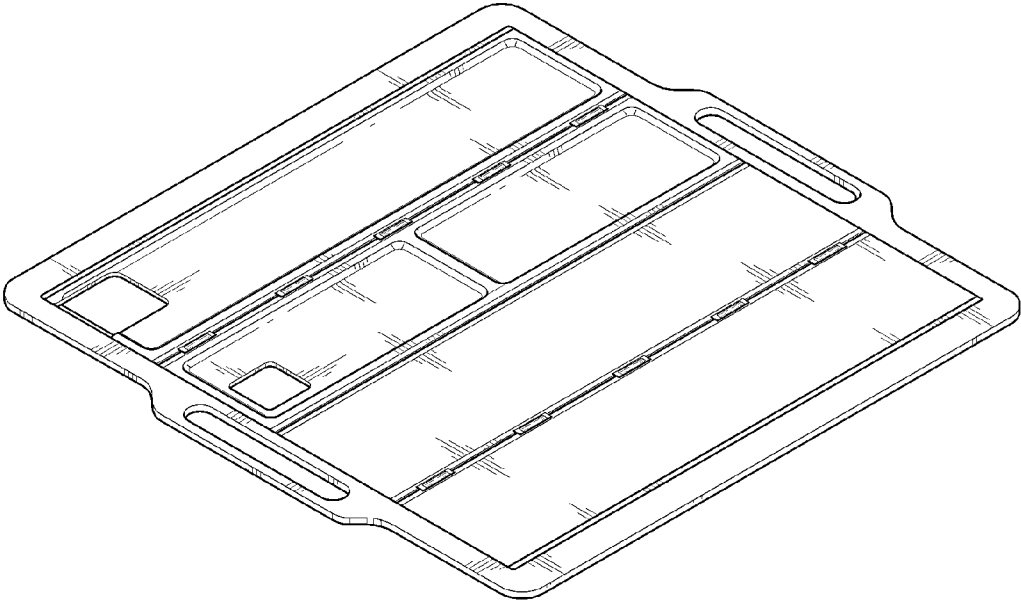


FIG.2

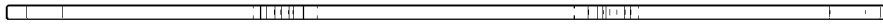


FIG.3

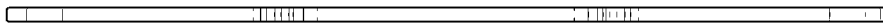


FIG.4

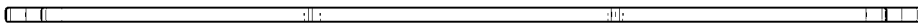


FIG.5

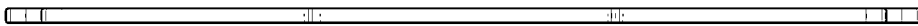


FIG.6

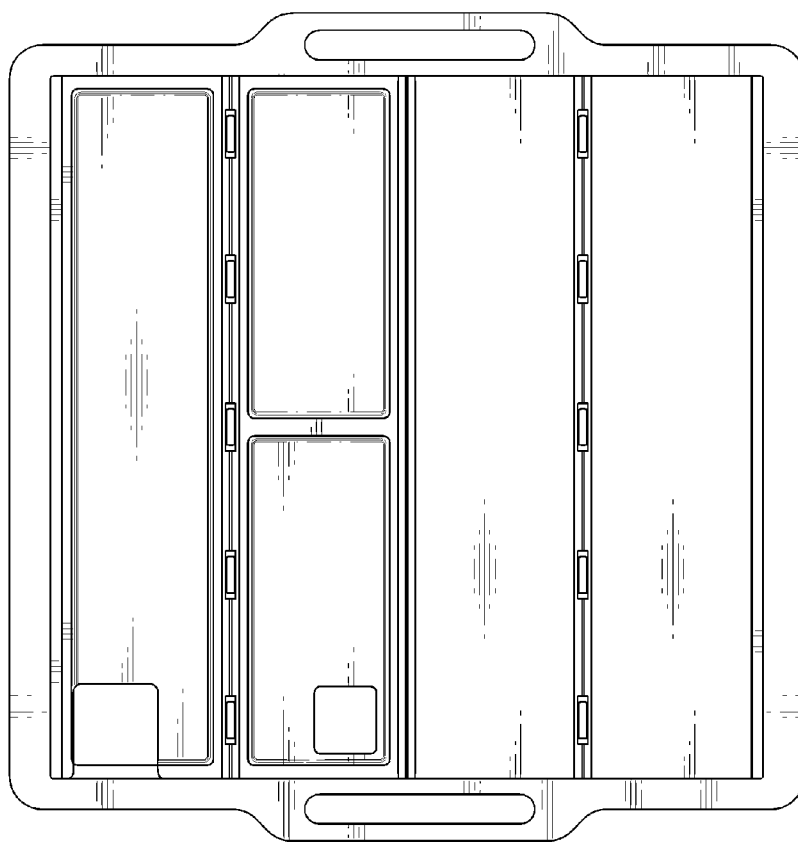


FIG. 7

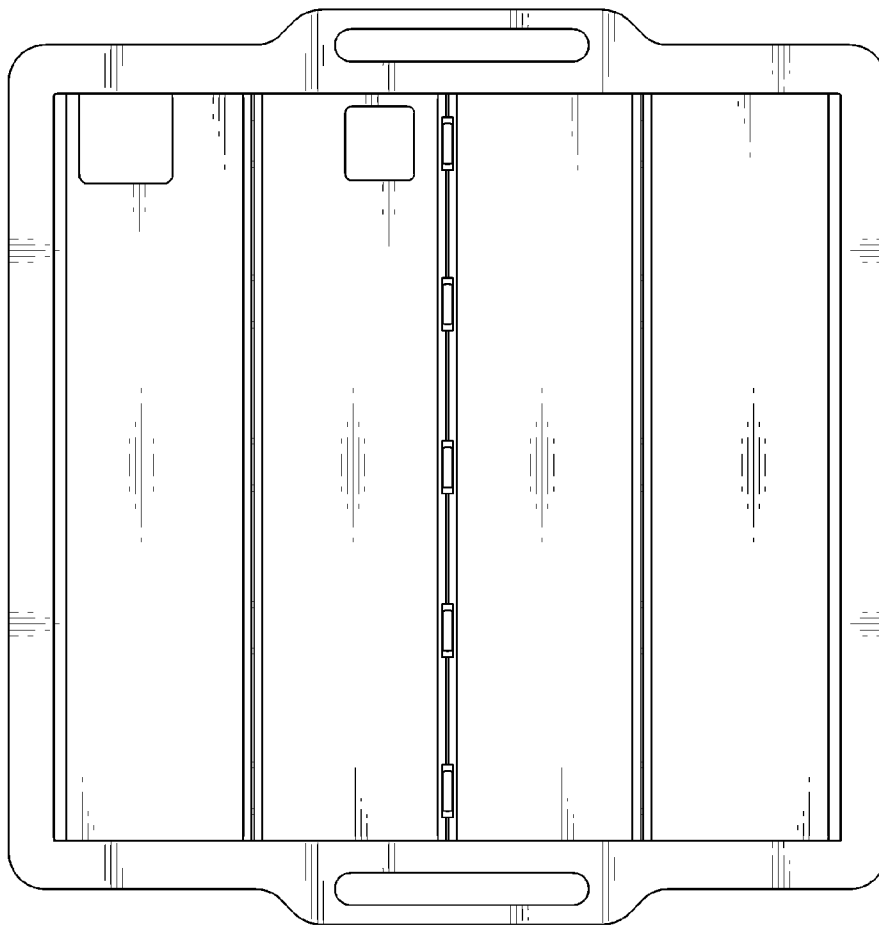


FIG. 8

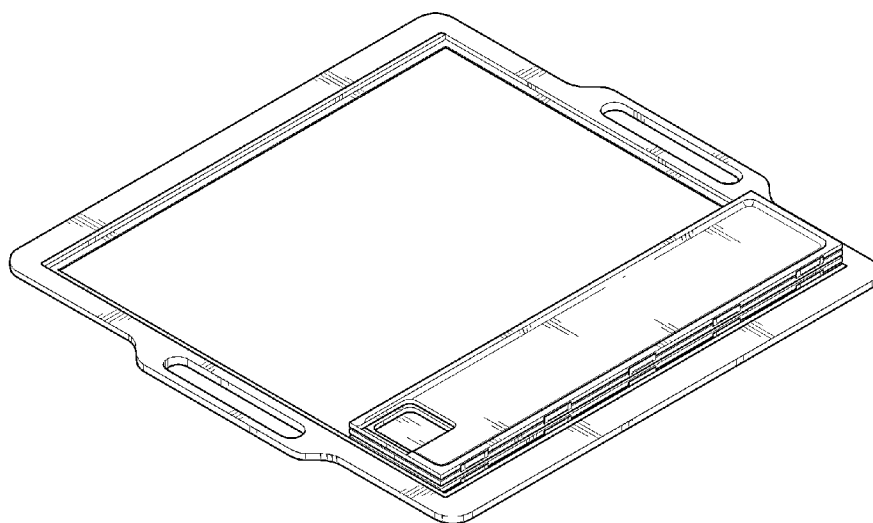


FIG. 9

