

(19) World Intellectual Property Organization
International Bureau



(43) International Publication Date
19 July 2007 (19.07.2007)

PCT

(10) International Publication Number
WO 2007/081448 A3

- (51) International Patent Classification:
A61B 17/08 (2006.01)
- (21) International Application Number:
PCT/US2006/045553
- (22) International Filing Date:
28 November 2006 (28.11.2006)
- (25) Filing Language: English
- (26) Publication Language: English
- (30) Priority Data:
11/325,206 4 January 2006 (04.01.2006) US
- (71) Applicant (for all designated States except US): **ST. JUDE MEDICAL PUERTO RICO B.V.** [NL/NL]; Drentesraat 20, 1803 HK, Amsterdam (NL).
- (72) Inventors; and
- (75) Inventors/Applicants (for US only): **BELHE, Kedar, R.** [IN/US]; 1601 Hillridge Drive, Minnetonka, MN 55305 (US). **BOUCHA-RAYLE, Michelle** [US/US]; 15000 Willston Lane, Minnetonka, MN 55345 (US). **PIPEN-HAGEN, Catherine, A.** [US/US]; 6591 Foxtail Court, Chanhassen, MN 55317 (US).
- (74) Agent: **FOSTER, Grant, L.**; Holland & Hart LLP, P.O. Box 11583, Salt Lake City, UT 84147-0583 (US).
- (81) Designated States (unless otherwise indicated, for every kind of national protection available): AE, AG, AL, AM,

AT, AU, AZ, BA, BB, BG, BR, BW, BY, BZ, CA, CH, CN, CO, CR, CU, CZ, DE, DK, DM, DZ, EC, EE, EG, ES, FI, GB, GD, GE, GH, GM, GT, HN, HR, HU, ID, IL, IN, IS, JP, KE, KG, KM, KN, KP, KR, KZ, LA, LC, LK, LR, LS, LT, LU, LV, LY, MA, MD, MG, MK, MN, MW, MX, MY, MZ, NA, NG, NI, NO, NZ, OM, PG, PH, PL, PT, RO, RS, RU, SC, SD, SE, SG, SK, SL, SM, SV, SY, TJ, TM, TN, TR, TT, TZ, UA, UG, US, UZ, VC, VN, ZA, ZM, ZW.

- (84) Designated States (unless otherwise indicated, for every kind of regional protection available): ARIPO (BW, GH, GM, KE, LS, MW, MZ, NA, SD, SL, SZ, TZ, UG, ZM, ZW), Eurasian (AM, AZ, BY, KG, KZ, MD, RU, TJ, TM), European (AT, BE, BG, CH, CY, CZ, DE, DK, EE, ES, FI, FR, GB, GR, HU, IE, IS, IT, LT, LU, LV, MC, NL, PL, PT, RO, SE, SI, SK, TR), OAPI (BF, BJ, CF, CG, CI, CM, GA, GN, GQ, GW, ML, MR, NE, SN, TD, TG).

Declarations under Rule 4.17:

- as to applicant's entitlement to apply for and be granted a patent (Rule 4.17(ii))
- as to the applicant's entitlement to claim the priority of the earlier application (Rule 4.17(iii))

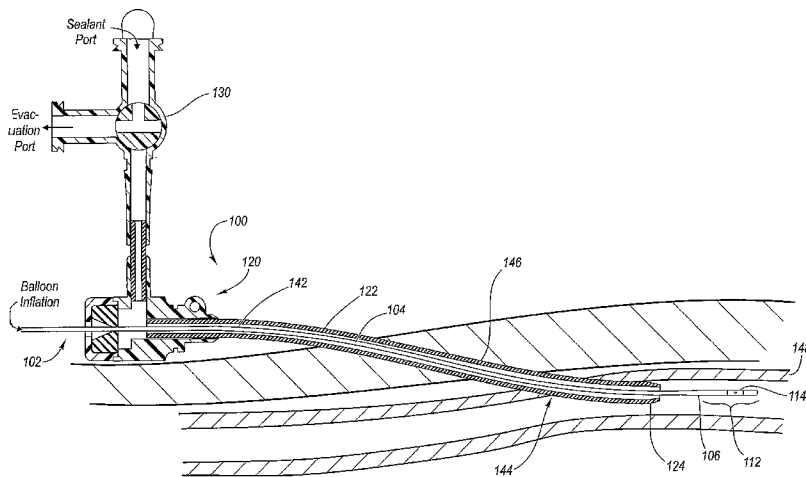
Published:

- with international search report

- (88) Date of publication of the international search report:
29 November 2007

[Continued on next page]

(54) Title: BALLOON INSERTION APPARATUS AND METHOD OF SEALING A TISSUE PUNCTURE



(57) Abstract: The present invention provides apparatus and methods of closing internal tissue punctures. The apparatus and method provide for an introducer sheath having at least one side port enabling aspiration of an internal tissue puncture site and injection of a sealant.

WO 2007/081448 A3



For two-letter codes and other abbreviations, refer to the "Guidance Notes on Codes and Abbreviations" appearing at the beginning of each regular issue of the PCT Gazette.

INTERNATIONAL SEARCH REPORT

International application No.
PCT/US06/45553

A. CLASSIFICATION OF SUBJECT MATTER
IPC(8) - A61B 17/08 (2007.01)
USPC - 606/213
According to International Patent Classification (IPC) or to both national classification and IPC

B. FIELDS SEARCHED

Minimum documentation searched (classification system followed by classification symbols)
IPC(8) - A61B 17/08(2007.01)
USPC - 606/213, 215

Documentation searched other than minimum documentation to the extent that such documents are included in the fields searched

Electronic data base consulted during the international search (name of data base and, where practicable, search terms used)
USPTO WEST System (US, USPG-PUB)

C. DOCUMENTS CONSIDERED TO BE RELEVANT

Category*	Citation of document, with indication, where appropriate, of the relevant passages	Relevant to claim No.
X -- Y	US 5,486,195 A (MYERS et al) 23 January 1996 (23.01.1996) entire document	18-19, 23-32, 35 ----- 1-17, 20-22, 33-34, 36-42
Y	US 2005/0107826 A1 (ZHU et al) 19 May 2005 (19.05.2005) entire document	1-17, 20-22, 33-34, 37-42
Y	US 2005/0149117 A1 (KHOSRAVI et al) 07 July 2005 (07.07.2005) entire document	7-10, 13, 17, 36
A	US 2005/0228443 A1 (YASSINZADEH) 13 October 2005 (13.10.2005) entire document	1-42

Further documents are listed in the continuation of Box C.

* Special categories of cited documents:
 "A" document defining the general state of the art which is not considered to be of particular relevance
 "E" earlier application or patent but published on or after the international filing date
 "L" document which may throw doubts on priority claim(s) or which is cited to establish the publication date of another citation or other special reason (as specified)
 "O" document referring to an oral disclosure, use, exhibition or other means
 "P" document published prior to the international filing date but later than the priority date claimed
 "T" later document published after the international filing date or priority date and not in conflict with the application but cited to understand the principle or theory underlying the invention
 "X" document of particular relevance; the claimed invention cannot be considered novel or cannot be considered to involve an inventive step when the document is taken alone
 "Y" document of particular relevance; the claimed invention cannot be considered to involve an inventive step when the document is combined with one or more other such documents, such combination being obvious to a person skilled in the art
 "&" document member of the same patent family

Date of the actual completion of the international search 08 June 2007	Date of mailing of the international search report 13 SEP 2007
---------------------------------------------------------------------------	--------------------------------------------------------------------------

Name and mailing address of the ISA/US Mail Stop PCT, Attn: ISA/US, Commissioner for Patents P.O. Box 1450, Alexandria, Virginia 22313-1450 Facsimile No. 571-273-3201	Authorized officer: Blaine R. Copenheaver PCT Helpdesk: 571-272-4300 PCT OSP: 571-272-7774
---------------------------------------------------------------------------------------------------------------------------------------------------------------------------------	-----------------------------------------------------------------------------------------------------