

(12) INTERNATIONAL APPLICATION PUBLISHED UNDER THE PATENT COOPERATION TREATY (PCT)

(19) World Intellectual Property Organization
International Bureau



(43) International Publication Date
27 June 2002 (27.06.2002)

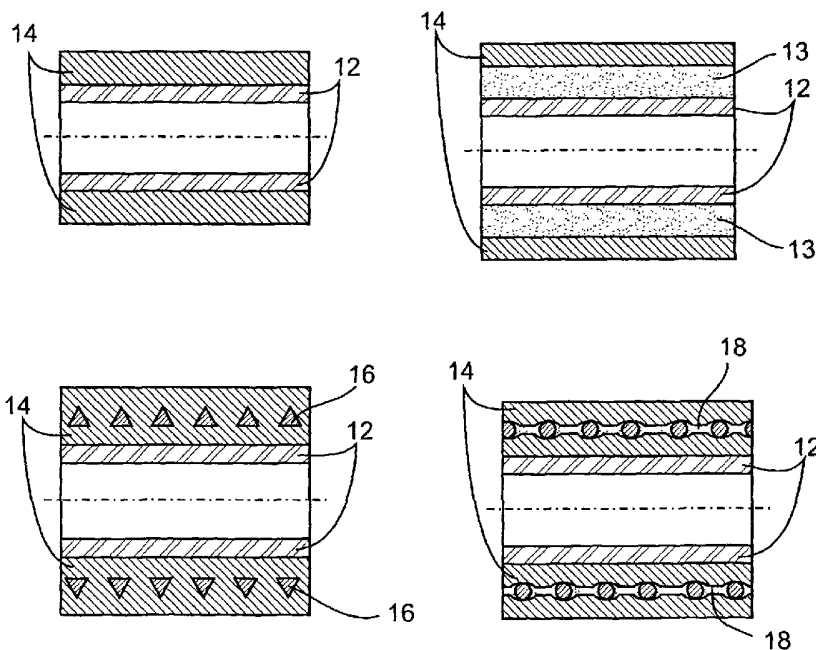
PCT

(10) International Publication Number
WO 02/049536 A3

- (51) International Patent Classification⁷: A61F 2/06, 2/04
- (21) International Application Number: PCT/IL01/01172
- (22) International Filing Date:
17 December 2001 (17.12.2001)
- (25) Filing Language: English
- (26) Publication Language: English
- (30) Priority Data:
60/256,323 19 December 2000 (19.12.2000) US
60/276,956 20 March 2001 (20.03.2001) US
09/982,017 19 October 2001 (19.10.2001) US
- (71) Applicant (for all designated States except US): NICAST LTD. [IL/IL]; P.O. Box 3073, 38900 Caesarea (IL).
- (72) Inventors; and
- (75) Inventors/Applicants (for US only): DUBSON, Alexander [IL/IL]; 8/5 Echad Ha'am Street, 84 287 Beer Sheba (IL). BAR, Eli [IL/IL]; Megadim, 30 875 Hof HaCarmel (IL).
- (74) Agent: G. E. EHRLICH (1995) LTD.; 28 Bezalel Street, 52 521 Ramat Gan (IL).
- (81) Designated States (national): AE, AG, AL, AM, AT (utility model), AT, AU, AZ, BA, BB, BG, BR, BY, BZ, CA, CH, CN, CO, CR, CU, CZ (utility model), CZ, DE (utility model), DE, DK (utility model), DK, DM, DZ, EC, EE (utility model), EE, ES, FI (utility model), FI, GB, GD, GE, GH, GM, HR, HU, ID, IL, IN, IS, JP, KE, KG, KP, KR, KZ, LC, LK, LR, LS, LT, LU, LV, MA, MD, MG, MK, MN, MW, MX, MZ, NO, NZ, OM, PH, PL, PT, RO, RU, SD, SE, SG, SI, SK (utility model), SK, SL, TJ, TM, TN, TR, TT, TZ, UA, UG, US, UZ, VN, YU, ZA, ZM, ZW.
- (84) Designated States (regional): ARIPO patent (GH, GM, KE, LS, MW, MZ, SD, SL, SZ, TZ, UG, ZM, ZW), Eurasian patent (AM, AZ, BY, KG, KZ, MD, RU, TJ, TM), European patent (AT, BE, CH, CY, DE, DK, ES, FI, FR, GB, GR, IE, IT, LU, MC, NL, PT, SE, TR), OAPI patent (BF, BJ, CF, CG, CI, CM, GA, GN, GQ, GW, ML, MR, NE, SN, TD, TG).

[Continued on next page]

(54) Title: IMPROVED VASCULAR PROSTHESIS AND METHOD FOR PRODUCTION THEREOF



(57) Abstract: A vascular prosthesis comprising a first layer (12) having a predetermined first porosity and a second layer (14) having a predetermined second porosity, wherein the first layer (12) and the second layer (14) are each made of first and second electrospun polymer fibers.



WO 02/049536 A3



Published:

— *with international search report*

For two-letter codes and other abbreviations, refer to the "Guidance Notes on Codes and Abbreviations" appearing at the beginning of each regular issue of the PCT Gazette.

(88) Date of publication of the international search report:

24 October 2002

INTERNATIONAL SEARCH REPORT

International application No.

PCT/JP01/01172

A. CLASSIFICATION OF SUBJECT MATTER

IPC(7) : A61F 2/06; A61F 2/04
 US CL : 623/1.49, 1.5, 1.54

According to International Patent Classification (IPC) or to both national classification and IPC

B. FIELDS SEARCHED

Minimum documentation searched (classification system followed by classification symbols)
 U.S. : 623/1.49, 1.5, 1.54

Documentation searched other than minimum documentation to the extent that such documents are included in the fields searched

Electronic data base consulted during the international search (name of data base and, where practicable, search terms used)

C. DOCUMENTS CONSIDERED TO BE RELEVANT

Category *	Citation of document, with indication, where appropriate, of the relevant passages	Relevant to claim No.
Y	US 6,106,913 A (Scardino et al.) 22 August 2000 (22.08.2000), col. 1-6 and figures 1-3	1-164
Y	US 4,738,740 A (Pinchuk et al.) 19 April 1988 (19.04.1988), col. 1-8, and figures 1-7	1-164
Y	US 4,657,793 A (Fisher) 14 April 1987 (14.04.1987) col. 1-6	1-164
Y	US 4,368,277 A (Burinsky et al.) 11 January 1983 (11.01.1983), col. 1-18	1-164
Y,P	US 6,306,424 A (Vyakarnam et al.) 23 October 2001, col.1-38 and figures 1-13	1-164
Y,P	US 6,308,509 A (Scardino et al.) 30 October 2001, col. 1-4 and figures 1-3	1-164
Y,P	US 6,265,333 A (Dzenis et al.) 24 July 2001, col. 1-18 and figures 1-6	1-164

Further documents are listed in the continuation of Box C.

See patent family annex.

* Special categories of cited documents:

"A" document defining the general state of the art which is not considered to be of particular relevance

"E" earlier application or patent published on or after the international filing date

"L" document which may throw doubts on priority claim(s) or which is cited to establish the publication date of another citation or other special reason (as specified)

"O" document referring to an oral disclosure, use, exhibition or other means

"P" document published prior to the international filing date but later than the priority date claimed

"T"

later document published after the international filing date or priority date and not in conflict with the application but cited to understand the principle or theory underlying the invention

"X"

document of particular relevance; the claimed invention cannot be considered novel or cannot be considered to involve an inventive step when the document is taken alone

"Y"

document of particular relevance; the claimed invention cannot be considered to involve an inventive step when the document is combined with one or more other such documents, such combination being obvious to a person skilled in the art

"&"

document member of the same patent family

Date of the actual completion of the international search

25 April 2002 (25.04.2002)

Date of mailing of the international search report

16 JUL 2002

Name and mailing address of the ISA/US

Commissioner of Patents and Trademarks
 Box PCT
 Washington, D.C. 20231

Facsimile No. (703)305-3230

Authorized officer

Suzette J. Jackson

Telephone No. 703-308-6516