



US0D1035264S

(12) **United States Design Patent**  
**Fudo et al.**

(10) **Patent No.:** **US D1,035,264 S**  
(45) **Date of Patent:** **\*\* Jul. 16, 2024**

(54) **PEN CASE**

D903,300 S \* 12/2020 Chen ..... D3/206  
D995,101 S \* 8/2023 Zhan ..... D3/205  
D1,002,178 S \* 10/2023 Wan ..... D3/205

(71) Applicant: **KING JIM CO., LTD.**, Tokyo (JP)

**FOREIGN PATENT DOCUMENTS**

(72) Inventors: **Tomohiro Fudo**, Tokyo (JP); **Nayumi Yamada**, Tokyo (JP); **Maiko Hara**, Tokyo (JP)

CN 308465471 \* 2/2024

\* cited by examiner

(73) Assignee: **KING JIM CO., LTD.**, Tokyo (JP)

*Primary Examiner* — Charles D Hanson

(\*\*) Term: **15 Years**

(74) *Attorney, Agent, or Firm* — Kreative IP Management LLC; Fuiyeong Kim

(21) Appl. No.: **35/517,217**

(57) **CLAIM**

(22) Filed: **Nov. 18, 2022**

The ornamental design for a pen case, as shown and described.

(80) **Hague Agreement Data**

Int. Filing Date: **Nov. 18, 2022**  
Int. Reg. No.: **DM/225494**  
Int. Reg. Date: **Nov. 18, 2022**  
Int. Reg. Pub. Date: **May 19, 2023**

**DESCRIPTION**

(30) **Foreign Application Priority Data**

May 23, 2022 (JP) ..... 2022-011000 D

(51) **LOC (14) Cl.** ..... **03-02**

(52) **U.S. Cl.**  
USPC ..... **D3/206**

(58) **Field of Classification Search**  
USPC ..... D3/205, 206  
CPC ..... A45C 11/34; A45C 11/36  
See application file for complete search history.

- 1. Pen case
- 1.1 : Front
- 1.2 : Right
- 1.3 : Back
- 1.4 : Top
- 1.5 : Bottom
- 1.6 : Enlarged end view
- 1.7 : Perspective view during opening state
- 1.8 : Right side view of the open state
- 1.9 : Top view of the open state

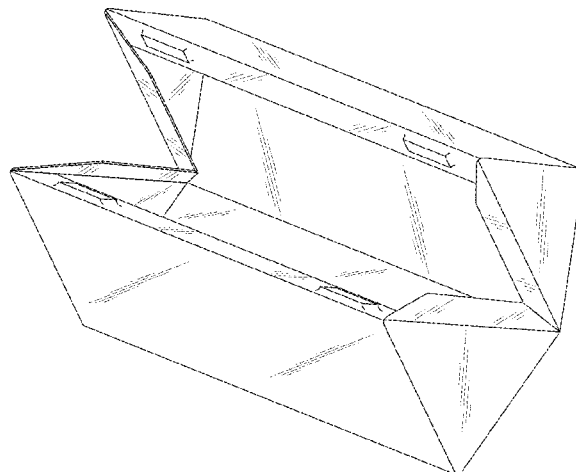
This product is a pen case that can be closed by four rectangular magnets embedded in four sides; and as shown in a perspective view during opening state and a right side view of the open state, it can be opened into a box shape and used; fig. 1.1 is a front view of a pen case showing the new design; fig. 1.2 is a right view thereof, a left view thereof being a mirror image of the right view; fig. 1.3 is a back view thereof; fig. 1.4 is a top view thereof; fig. 1.5 is a bottom view thereof; fig. 1.6 is an enlarged end view thereof taken along the line 1.6-1.6 in fig. 1.1; fig. 1.7 is a perspective view during opening state thereof; fig. 1.8 is a right side view of the open state thereof; fig. 1.9 is a top view of the open state thereof. The oblique shade lines represent a transparent or

(Continued)

(56) **References Cited**

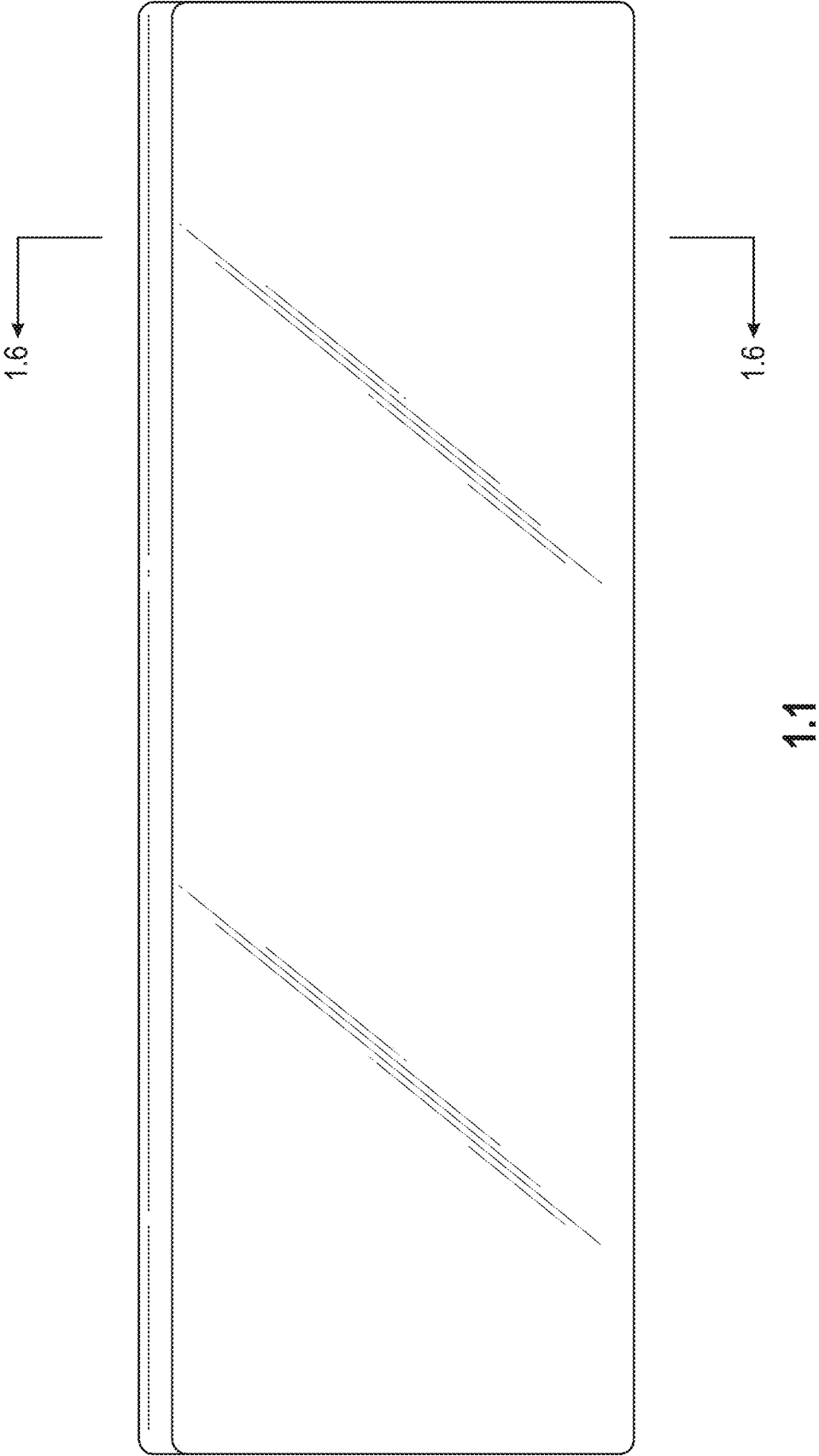
**U.S. PATENT DOCUMENTS**

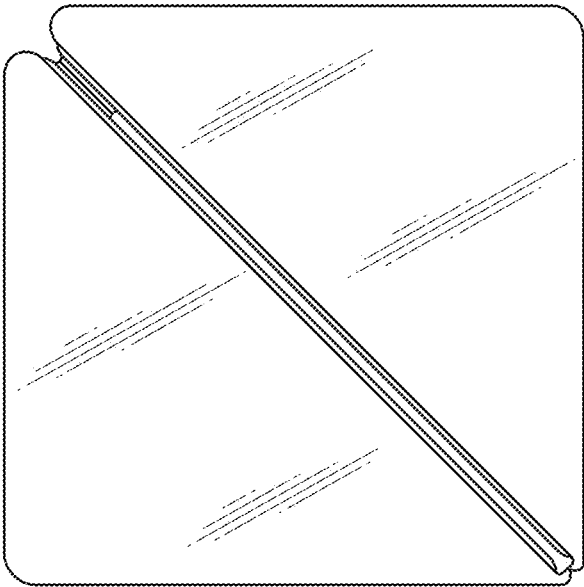
D318,426 S \* 7/1991 Vroonen ..... D9/426  
D349,455 S \* 8/1994 Kostanecki ..... D9/717  
D537,621 S \* 3/2007 Rosen ..... D3/206  
D540,163 S \* 4/2007 Claussen ..... D9/418  
D575,635 S \* 8/2008 Rozenzweig ..... D9/418  
D779,205 S \* 2/2017 Lawrenson ..... D3/299



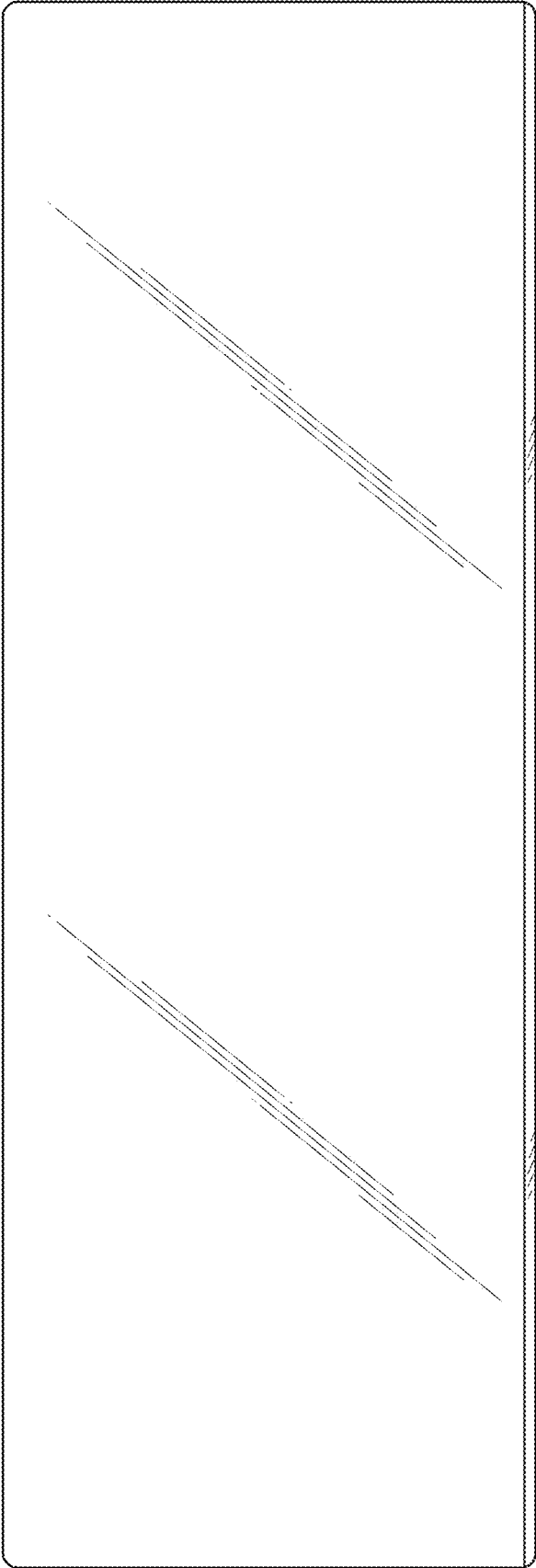
semi-transparent surface, and the claimed design is not limited to any specific color or material.

**1 Claim, 9 Drawing Sheets**

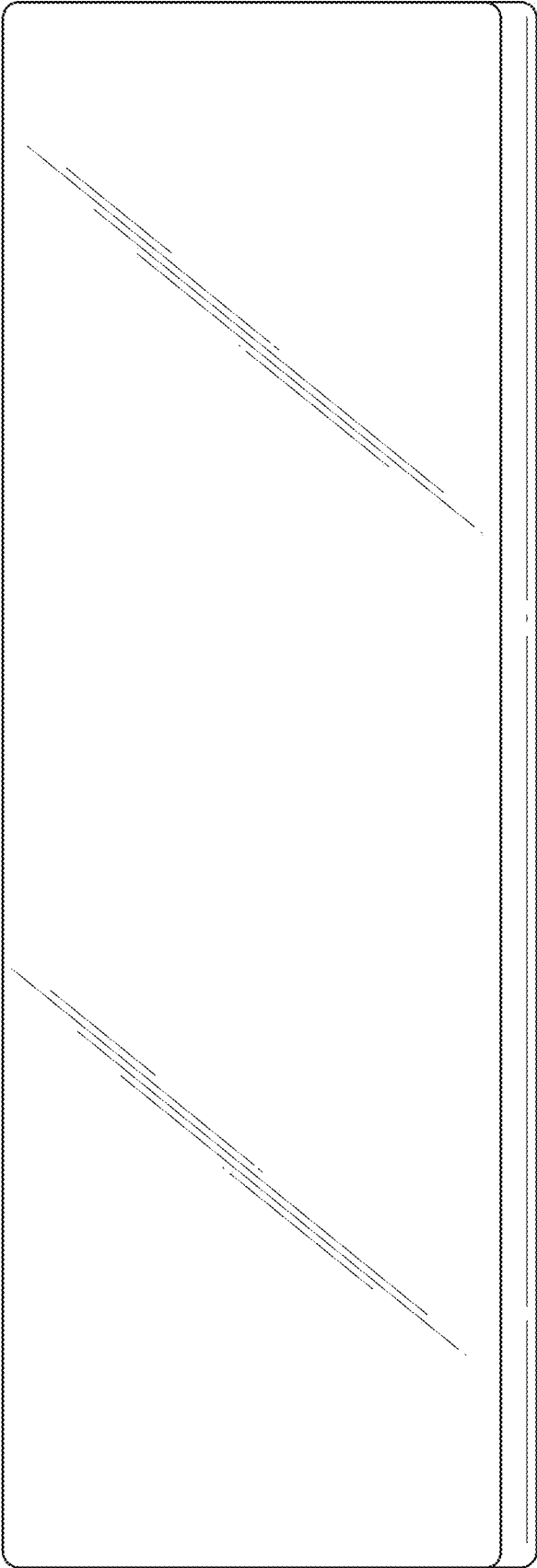




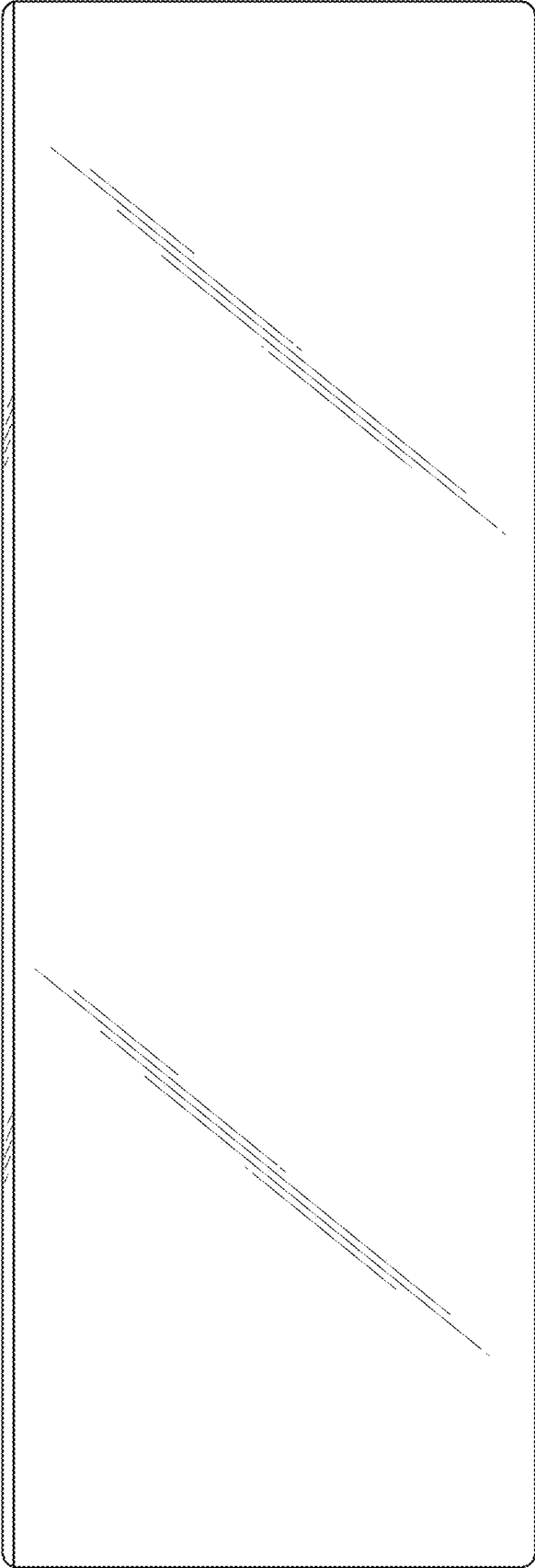
1.2



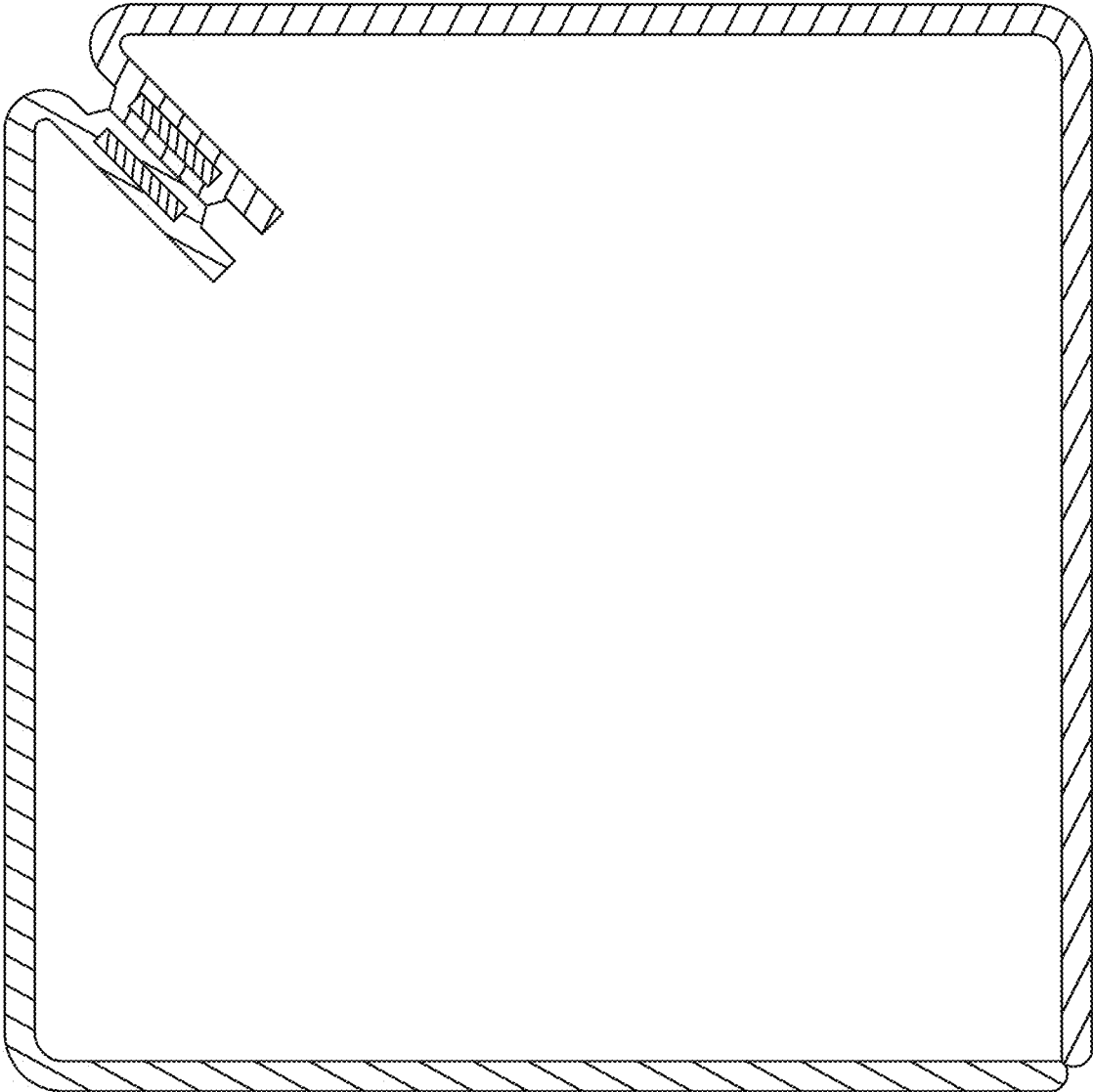
1.3



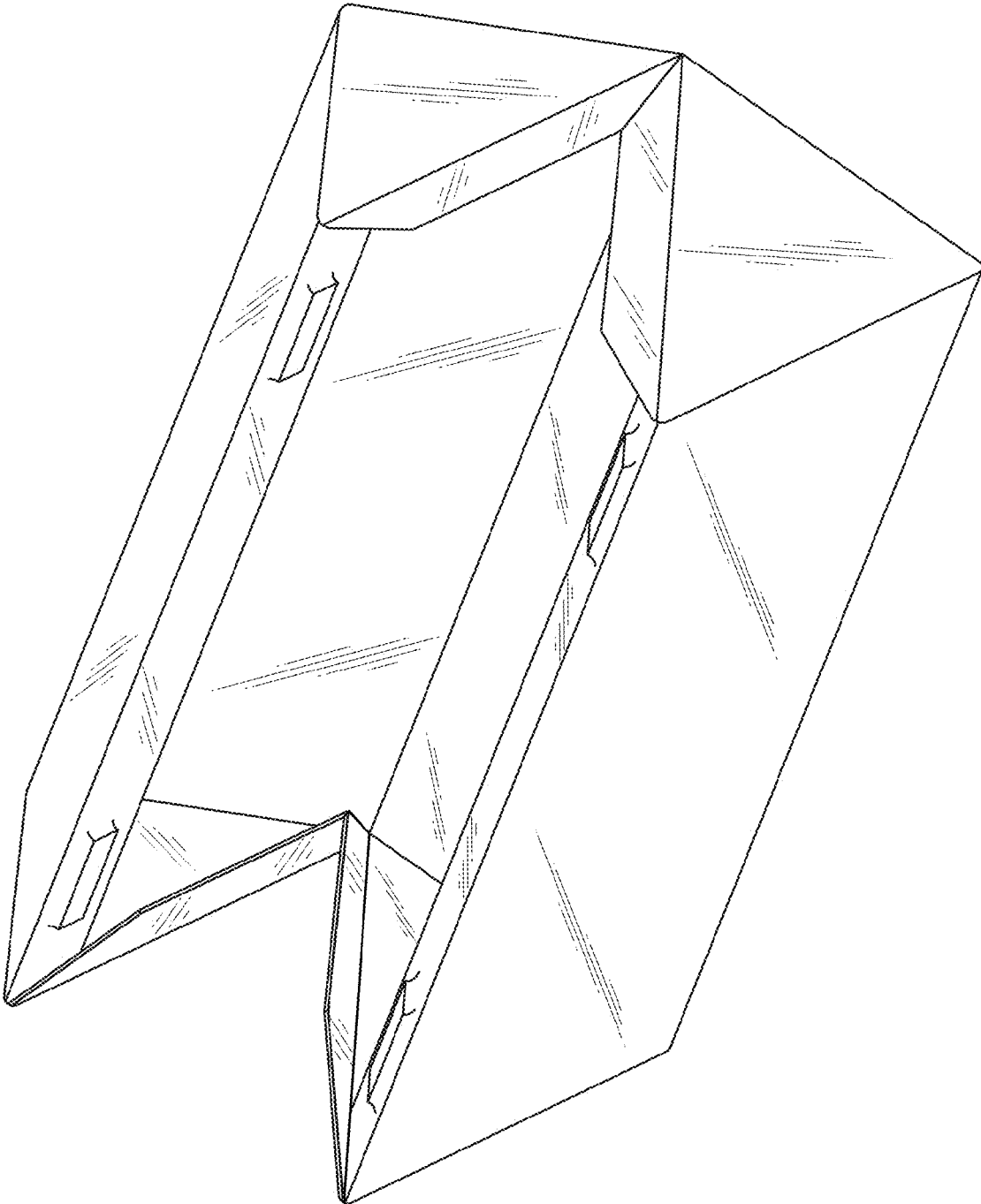
1.4



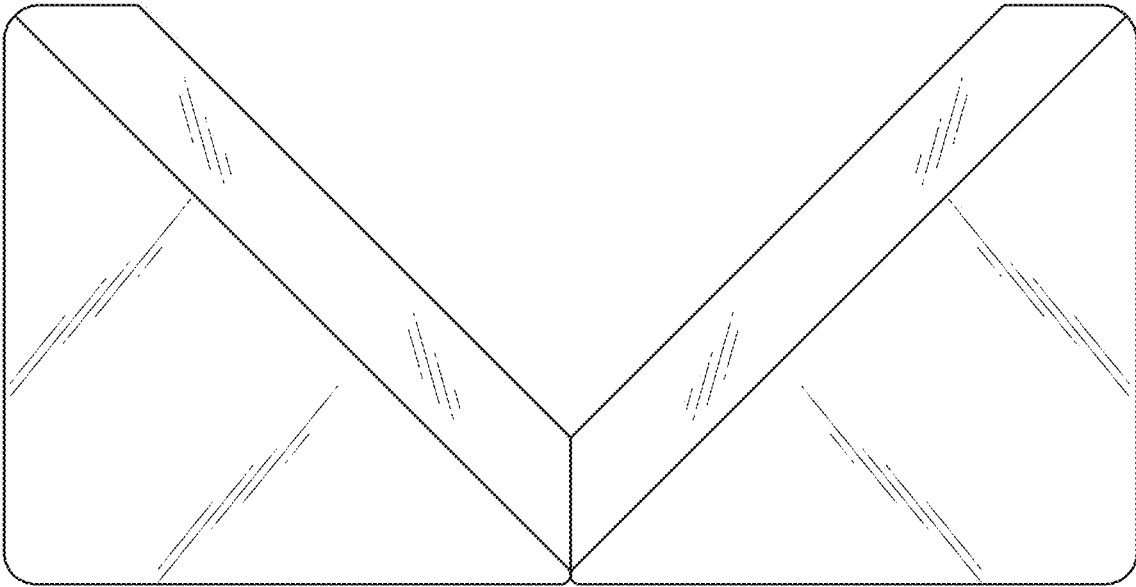
1.5



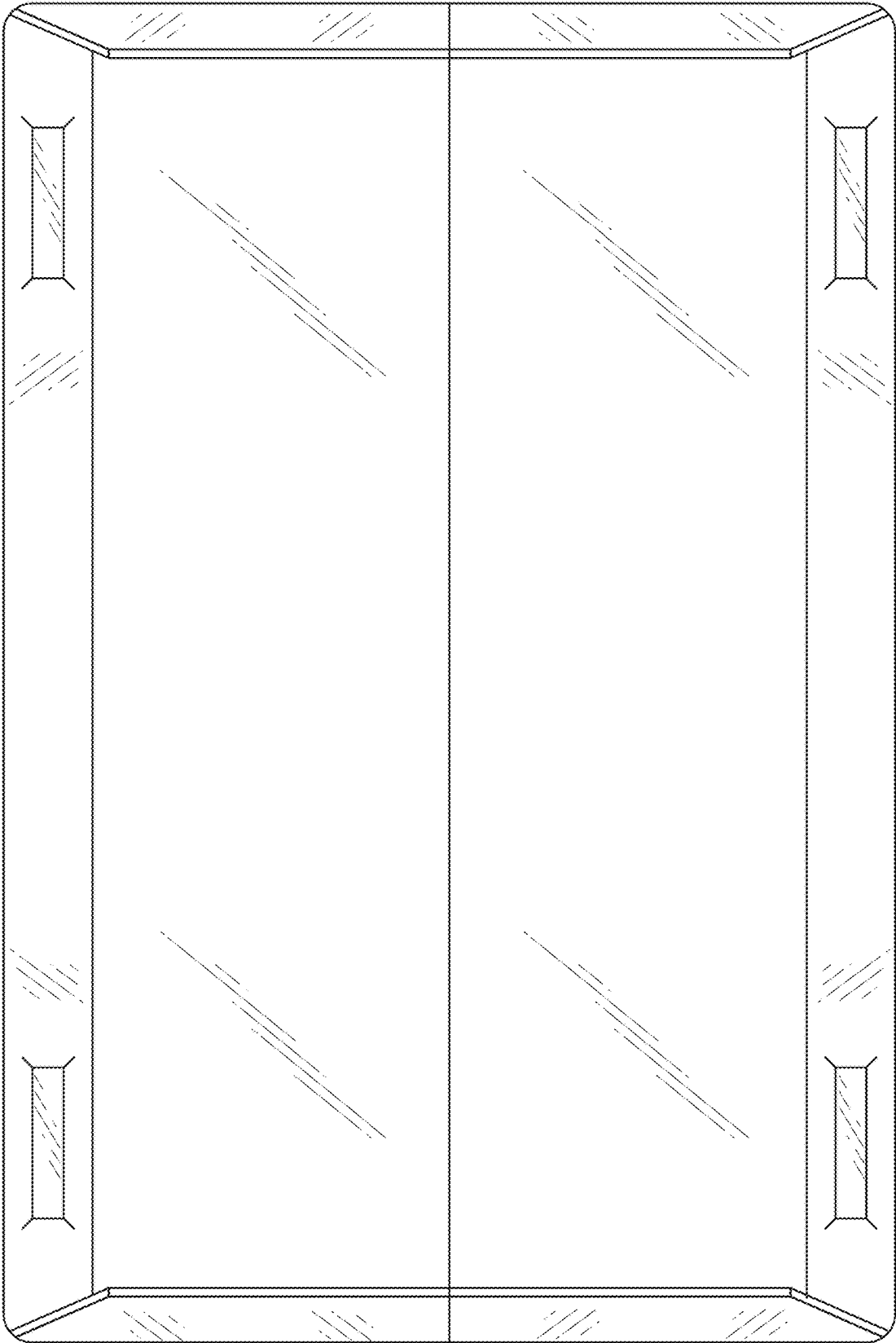
1.6



1.7



1.8



1.9