

206,615

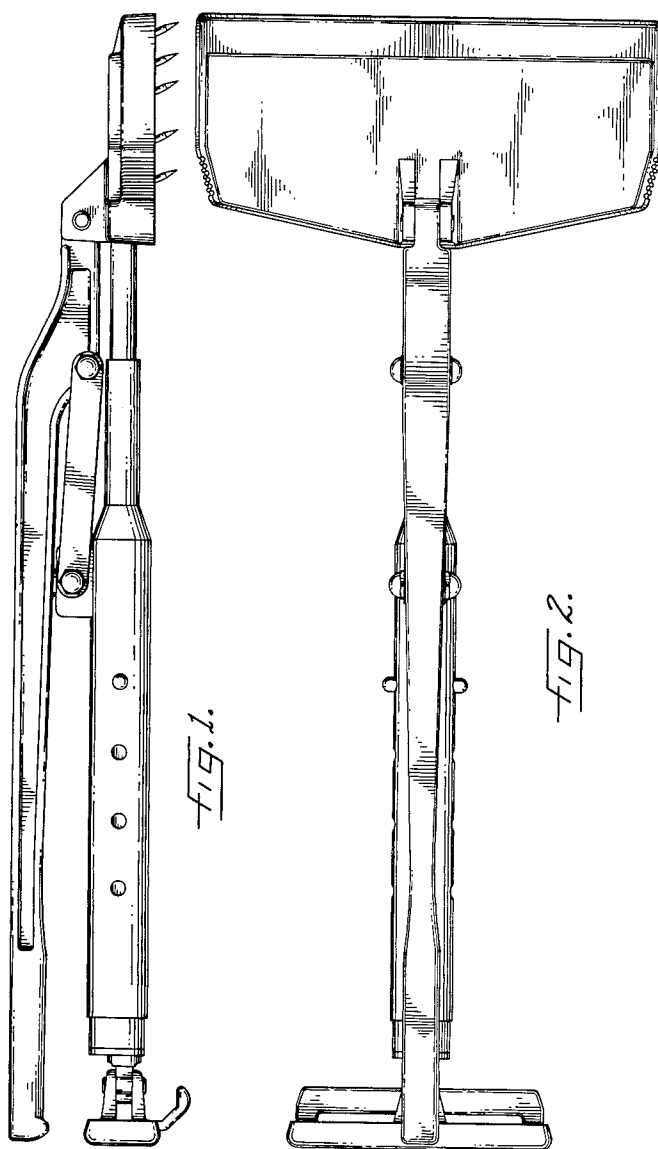
CARPET STRETCHER

Roy L. Brenner, Highland Park, Ill., assignor to Kinkead Industries Incorporated, Chicago, Ill., a corporation of Illinois

Filed Aug. 15, 1966, Ser. No. 3,467

Term of patent 14 years

(Cl. D54-13)



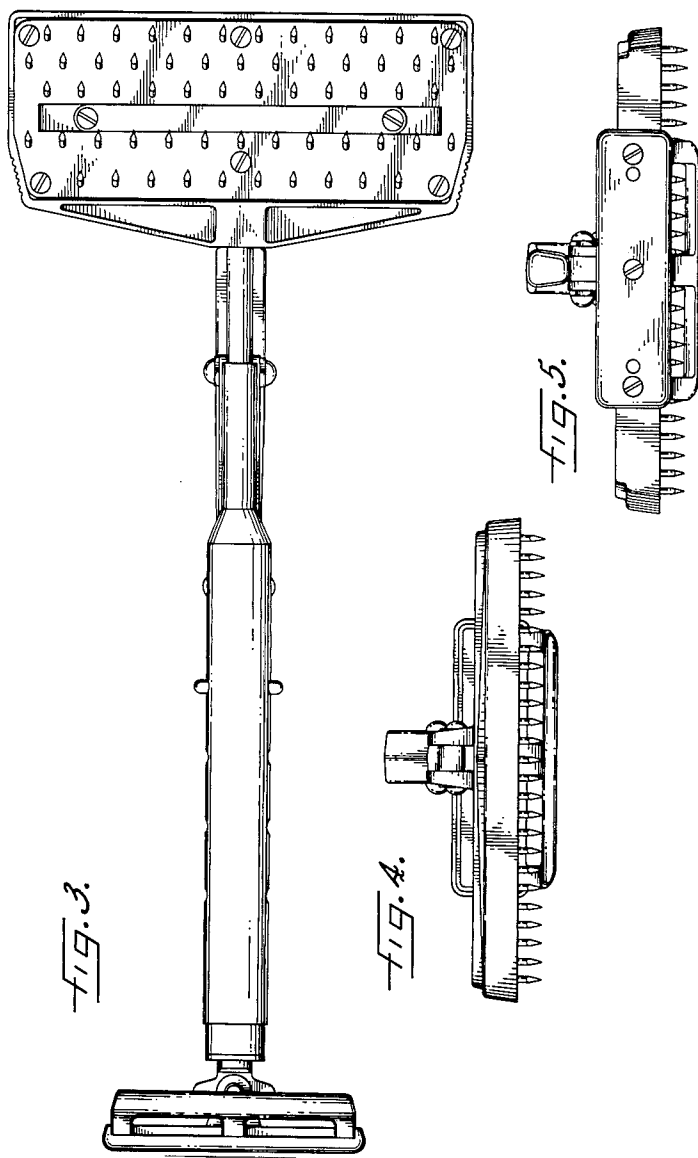


FIGURE 1 is a side elevational view of a carpet stretcher, shown in a closed position, embodying my new design;

FIG. 2 is a top plan view of the carpet stretcher shown in FIG. 1;

FIG. 3 is a bottom plan view of the carpet stretcher shown in FIG. 1;

FIG. 4 is a front elevational view of the carpet stretcher shown in FIG. 1; and

FIG. 5 is a rear elevational view of the carpet stretcher shown in FIG. 1.

I claim:

The ornamental design for a carpet stretcher, substantially as shown and described.

References Cited by the Examiner

UNITED STATES PATENTS

2,160,134	5/1939	Fanning	-----	254—63
2,358,436	9/1944	Bartlow	-----	254—62

WALLACE R. BURKE, *Primary Examiner.*

ALLEN P. DOUGLAS, *Assistant Examiner.*