

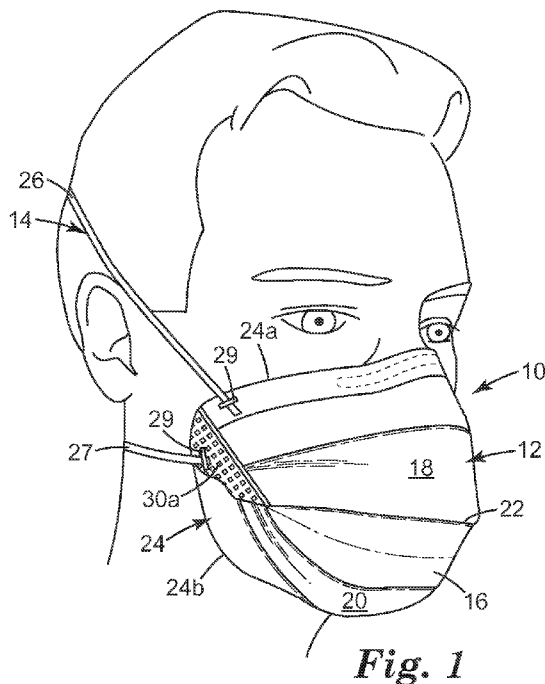


- (51) International Patent Classification:
A62B 23/02 (2006.01)
- (21) International Application Number:
PCT/US2014/051975
- (22) International Filing Date:
21 August 2014 (21.08.2014)
- (25) Filing Language: English
- (26) Publication Language: English
- (30) Priority Data:
14/013,214 29 August 2013 (29.08.2013) US
- (71) Applicant: 3M INNOVATIVE PROPERTIES COMPANY [US/US]; 3M Center, Post Office Box 33427, Saint Paul, Minnesota 55133-3427 (US).
- (72) Inventor: DUFFY, Dean R.; 3M Center, Post Office Box 33427, Saint Paul, Minnesota 55133-3427 (US).
- (74) Agents: GOVER, Melanie G., et al.; 3M Center, Office of Intellectual Property Counsel, Post Office Box 33427, Saint Paul, Minnesota 55133-3427 (US).

- (81) Designated States (unless otherwise indicated, for every kind of national protection available): AE, AG, AL, AM, AO, AT, AU, AZ, BA, BB, BG, BH, BN, BR, BW, BY, BZ, CA, CH, CL, CN, CO, CR, CU, CZ, DE, DK, DM, DO, DZ, EC, EE, EG, ES, FI, GB, GD, GE, GH, GM, GT, HN, HR, HU, ID, IL, IN, IR, IS, JP, KE, KG, KN, KP, KR, KZ, LA, LC, LK, LR, LS, LT, LU, LY, MA, MD, ME, MG, MK, MN, MW, MX, MY, MZ, NA, NG, NI, NO, NZ, OM, PA, PE, PG, PH, PL, PT, QA, RO, RS, RU, RW, SA, SC, SD, SE, SG, SK, SL, SM, ST, SV, SY, TH, TJ, TM, TN, TR, TT, TZ, UA, UG, US, UZ, VC, VN, ZA, ZM, ZW.
- (84) Designated States (unless otherwise indicated, for every kind of regional protection available): ARIPO (BW, GH, GM, KE, LR, LS, MW, MZ, NA, RW, SD, SL, ST, SZ, TZ, UG, ZM, ZW), Eurasian (AM, AZ, BY, KG, KZ, RU, TJ, TM), European (AL, AT, BE, BG, CH, CY, CZ, DE, DK, EE, ES, FI, FR, GB, GR, HR, HU, IE, IS, IT, LT, LU, LV, MC, MK, MT, NL, NO, PL, PT, RO, RS, SE, SI, SK, SM, TR), OAPI (BF, BJ, CF, CG, CI, CM, GA, GN, GQ, GW, KM, ML, MR, NE, SN, TD, TG).

[Continued on next page]

(54) Title: FILTERING FACE-PIECE RESPIRATOR WITH STIFFENING MEMBER INTEGRAL WITH FILTERING STRUCTURE



(57) Abstract: A filtering face-piece respirator 10 having a mask body 12 formed of a filtering structure 16. The mask body 12 has at least one transversely extending stiffening member 50, formed by an s-shaped or tri-fold pleat permanently connected, such as by welding. The at least one stiffening member 50 increases the integrity of the mask body 12, when in the opened cup-shaped configuration, inhibiting collapse of the mask body, due to, for example, increased pressure drop across the mask body 12 due to dirty or moisture laden air.

WO 2015/031141 A2

Declarations under Rule 4.17:

— *as to applicant's entitlement to apply for and be granted a patent (Rule 4.17(ii))*

Published:

— *without international search report and to be republished upon receipt of that report (Rule 48.2(g))*

**FILTERING FACE-PIECE RESPIRATOR WITH
STIFFENING MEMBER INTEGRAL WITH FILTERING STRUCTURE**

5 [0001] The present invention pertains to a filtering face-piece respirator that includes at least one strengthening rib transversely extending across the respirator.

BACKGROUND

10 [0002] Respirators are commonly worn over a person's breathing passages for at least one of two common purposes: (1) to prevent impurities or contaminants from entering the wearer's respiratory system; and (2) to protect other persons or things from being exposed to pathogens and other contaminants exhaled by the wearer. In the first situation, the respirator is worn in an environment where the air contains particles that are harmful to the wearer, for example, in an auto body shop. In the second situation, the respirator is worn in an environment where there is risk of contamination to other persons or things, for example, in an operating room or clean room.

15 [0003] A variety of respirators have been designed to meet either (or both) of these purposes. Some respirators have been categorized as being "filtering face-pieces" because the mask body itself functions as the filtering mechanism. Unlike respirators that use rubber or elastomeric mask bodies in conjunction with attachable filter cartridges (see, e.g., U.S. Patent RE39,493 to Yuschak et al.) or insert-molded filter elements (see, e.g., U.S. Patent 4,790,306 to Braun), filtering face-piece respirators are designed to have the filter media cover much of the whole mask body so that there is no need for installing or replacing a filter cartridge. These filtering face-piece respirators commonly come in one of two configurations: molded respirators and flat-fold respirators.

25 [0004] Molded filtering face piece respirators have regularly comprised non-woven webs of thermally-bonding fibers or open-work plastic meshes to furnish the mask body with its cup-shaped configuration. Molded respirators tend to maintain the same shape during both use and storage. These respirators therefore cannot be folded flat for storage and shipping. Examples of patents that disclose molded, filtering face-piece respirators include U.S. Patents 7,131,442 to Kronzer et al, 6,923,182, 6,041,782 to Angadjivand et al., 4,807,619 to Dyrud et al., and 4,536,440 to Berg.

30 [0005] Flat-fold respirators — as their name implies — can be folded flat for shipping and storage. They also can be opened into a cup-shaped configuration for use. Examples of flat-fold respirators are shown in U.S. Patents 6,568,392 and 6,484,722 to Bostock et al., and 6,394,090 to Chen. Some flat-fold respirators have been designed with weld lines, seams, and folds, to help maintain their cup-shaped configuration during use. Stiffening members also have been

incorporated into panels of the mask body (see U.S. Patent Application Publications 2001/0067700 to Duffy et al., 2010/0154805 to Duffy et al., and U.S. Design Patent 659,821 to Spoo et al.).

5 [0006] The present invention, as described below, provides flat-fold respirators with improved stiffening members.

SUMMARY OF THE INVENTION

10 [0007] The present invention provides a filtering face-piece respirator that comprises a mask body having at least one transversely extending stiffening member, formed by an S-shaped or tri-folded pleat permanently connected, such as by welding. Depending on the position and width of the connection area in relation to the area of the S-shaped or tri-folded pleat, the resulting stiffening member may have a rib on either or each side of the connection area. These ribs may form a channel or gutter on the interior surface of the mask body.

15 [0008] The at least one stiffening member increases the integrity of the mask body, when in the opened cup-shaped configuration, inhibiting collapse of the mask body, due to, for example, increased pressure drop across the mask body due to dirty or moisture laden air. By having the stiffening member extending transversely across the mask body, from side-to-side, when the mask body is formed into a cup-shape, a reinforcing truss structure is formed, further inhibiting the collapse of the formed mask body. Any channel or gutter formed by the stiffening member provides a liquid management system to transport undesirable liquid, condensed from the
20 moisture laden air, away from the wearer's face.

[0009] In one particular embodiment, the stiffening member is formed by folding (pleating) and then welding together three layers of the filtering structure that forms the mask body. The resulting stiffening member has a thickness at the weld location that is less than the thickness of the filtering structure and a thickness on both sides of the weld that is two to three times the
25 thickness of the filtering structure.

Glossary

[0010] The terms set forth below will have the meanings as defined:

30 [0011] "comprises" or "comprising" means its definition as is standard in patent terminology, being an open-ended term that is generally synonymous with "includes", "having", or "containing". Although "comprises", "includes", "having", and "containing" and variations thereof are commonly-used, open-ended terms, this invention also may be suitably described using narrower terms such as "consists essentially of", which is semi open-ended term in that it

excludes only those things or elements that would have a deleterious effect on the performance of the inventive respirator in serving its intended function;

[0012] "clean air" means a volume of atmospheric ambient air that has been filtered to remove contaminants;

5 [0013] "connection region" means the region of the stiffening member where three layers of the filtering structure are permanently connected together;

[0014] "contaminants" means particles (including dusts, mists, and fumes) and/or other substances that generally may not be considered to be particles (e.g., organic vapors, etc.) but which may be suspended in air;

10 [0015] "crosswise dimension" is the dimension that extends laterally across the respirator, from side-to-side when the respirator is viewed from the front;

[0016] "cup-shaped configuration", and variations thereof, mean any vessel-type shape that is capable of adequately covering the nose and mouth of a person;

[0017] "exterior gas space" means the ambient atmospheric gas space into which exhaled gas
15 enters after passing through and beyond the mask body and/or exhalation valve;

[0018] "exterior surface" means the surface of the mask body exposed to ambient atmospheric gas space when the mask body is positioned on the person's face;

[0019] "filtering face-piece" means that the mask body itself is designed to filter air that passes through it; there are no separately identifiable filter cartridges or insert-molded filter
20 elements attached to or molded into the mask body to achieve this purpose;

[0020] "filter" or "filtration layer" means one or more layers of air-permeable material, which layer(s) is adapted for the primary purpose of removing contaminants (such as particles) from an air stream that passes through it;

[0021] "filter media" means an air-permeable structure that is designed to remove
25 contaminants from air that passes through it;

[0022] "filtering structure" and "breathable filtering structure" each means a generally air-permeable construction that filters air;

[0023] "folded inwardly" means being bent back towards the part from which extends;

[0024] "harness" means a structure or combination of parts that assists in supporting the
30 mask body on a wearer's face;

[0025] "integral" means being made together; that is, being made together as one part and not two separately manufactured parts that are subsequently joined together;

[0026] "interior gas space" means the space between a mask body and a person's face;

[0027] "interior perimeter" means the outer edge of the mask body, on the interior surface of the mask body, which would be disposed generally in contact with a wearer's face when the respirator is positioned on the wearer's face;

5 [0028] "interior surface" means the surface of the mask body closest to a person's face when the mask body is positioned on the person's face;

[0029] "line of demarcation" means a fold, seam, weld line, bond line, stitch line, hinge line, and/or any combination thereof;

10 [0030] "mask body" means an air-permeable structure that is designed to fit over the nose and mouth of a person and that helps define an interior gas space separated from an exterior gas space (including the seams and bonds that join layers and parts thereof together);

[0031] "nose clip" means a mechanical device (other than a nose foam), which device is adapted for use on a mask body to improve the seal around a wearer's nose;

15 [0032] "perimeter" means the outer edge of the mask body, which outer edge would be disposed generally proximate to a wearer's face when the respirator is being donned by a person; a "perimeter segment" is a portion of the perimeter;

[0033] "pleat" means a portion that is designed to be or is folded back upon itself;

[0034] "polymeric" and "plastic" each mean a material that mainly includes one or more polymers and that may contain other ingredients as well;

20 [0035] "respirator" means an air filtration device that is worn by a person to provide the wearer with clean air to breathe;

[0036] "stiffening member" means an elongate element integral with the filtering structure and with breathable filtering structure on each side of the stiffening member, which increases the rigidity of the filtering structure in the direction of the stiffening member; and

[0037] "transversely extending" means extending generally in the crosswise dimension.

25 BRIEF DESCRIPTION OF THE DRAWINGS

[0038] FIG. 1 is a front perspective view of a flat-fold filtering face-piece respirator **10** being worn on a person's face;

[0039] FIG. 2 is a side view of the respirator **10** of FIG. 1;

[0040] FIG. 3 is a front view of a mask body **12** of respirator **10** of FIG. 1;

30 [0041] FIG. 4a is a bottom view of the mask body **12** in a flat configuration with the flanges **30a**, **30b** in an unfolded position;

[0042] FIG. 4b is a bottom view of the mask body **12** in a pre-opened configuration with the flanges **30a**, **30b** folded against the filtering structure **16**;

- [0043] FIG. 5 is a cross-sectional view of a filtering structure **16** suitable for use in the mask body **12** of FIG. 1;
- [0044] FIG. 6 is a cross-sectional view of the mask body **12**, taken along lines 6-6 of FIG. 3, showing the three stiffening members **50**;
- 5 [0045] FIG. 6a is an enlarged view of stiffening member **50** shown in FIG. 6;
- [0046] FIG. 7 is a schematic plan view of the filtering structure **16** folded prior to being welded to form a stiffening member **50**;
- [0047] FIG. 8 is a schematic plan view of the filtering structure **16** folded and welded to form a stiffening member **50**;
- 10 [0048] FIG. 9 is a schematic plan view of the filtering structure **16** folded and welded to form an alternate stiffening member **60**;
- [0049] FIG. 10 is a front view of an alternate embodiment of a mask body **12** illustrating a stiffening member **50**;
- [0050] FIG. 11 is a side view of the mask body **12** of FIG. 10 showing the stiffening member
- 15 **50**; and
- [0051] FIG. 12 schematically shows a process for forming a flat-fold filtering face-piece respirator **10** having the mask body **12** and the stiffening member **50**.

DETAILED DESCRIPTION OF PREFERRED EMBODIMENTS

- [0052] In practicing the present invention, a filtering face-piece respirator is provided that
- 20 has at least one stiffening member transversely extending across the face mask of the respirator. The stiffening member enhances the fit and inhibits collapse of the face mask toward the face of the wearer while allowing fluid (e.g., moisture laden air) to permeate from the interior gas space to the exterior gas space.
- [0053] In the following description, reference is made to the accompanying drawings that
- 25 form a part hereof and in which are shown by way of illustration various specific embodiments. The various elements and reference numerals of one embodiment described herein are consistent with and the same as the similar elements and reference numerals of another embodiment described herein, unless indicated otherwise. It is to be understood that other embodiments are contemplated and may be made without departing from the scope or spirit of the present
- 30 invention. The following description, therefore, is not to be taken in a limiting sense. While the present invention is not so limited, an appreciation of various aspects of the invention will be gained through a discussion of the examples provided below.

[0054] Turning to the figures, FIGS. 1 and 2 show an example of a filtering face-piece respirator **10** that may be used in connection with the present invention to provide clean air for the wearer to breathe. The filtering face-piece respirator **10** includes a mask body **12** and a harness **14**.

5 [0055] FIG. 3 shows the mask body **12** of the respirator **10** without the harness **14**, FIGS. 4a and 4b show the mask body **12** in a folded or collapsed configuration; this configuration may also be referred to as a pre-opened configuration. Additional features and details of respirator **10** and mask body **12** can be seen in these configurations.

[0056] The mask body **12** has a filtering structure **16** through which inhaled air must pass
10 before entering the wearer's respiratory system. The filtering structure **16** removes contaminants from the ambient environment so that the wearer breathes clean air. The filtering structure **16** may take on a variety of different shapes and configurations and typically is adapted so that it properly fits against the wearer's face or within a support structure. Generally the shape and configuration of the filtering structure **16** corresponds to the general shape of the mask body **12**.

15 [0057] The mask body **12** includes a top portion **18** and a bottom portion **20** separated by a line of demarcation **22**. In this particular embodiment, the line of demarcation **22** is a fold or pleat that extends transversely across the central portion of the mask body from side-to-side. The mask body **12** also includes a perimeter **24** that includes an upper segment **24a** at top portion **18** and a lower segment **24b** at bottom portion **20**.

20 [0058] The harness **14** (FIG. 1) has a first, upper strap **26** that is secured to the top portion **18** of mask body **12** and a second, lower strap **27**. The straps **26, 27** are secured to mask body **12** by staples **29**. The straps **26, 27** may be made from a variety of materials, such as thermoset rubbers, thermoplastic elastomers, braided or knitted yarn and/or rubber combinations, inelastic braided components, and the like. The straps **26, 27** preferably can be expanded to greater than
25 twice their total length and be returned to their relaxed state. The straps **26, 27** also could possibly be increased to three or four times their relaxed state length and can be returned to their original condition without any damage thereto when the tensile forces are removed. The straps **26, 27** may be continuous straps or may have a plurality of parts, which can be joined together by further fasteners or buckles. Alternatively, the straps may form a loop that is placed around
30 the wearer's ears.

[0059] FIGS. 3, 4a and 4b show the mask body **12** with first and second flanges **30a** and **30b** located on opposing sides **31a, 31b** of the mask body **12**. Each of the straps **26, 27** extend from side **31a** to side **31b**. As indicated above, the first, upper strap **26** is secured to the top portion **18** of mask body **12** adjacent to the perimeter upper segment **24a**, whereas the second, lower

strap **27** is stapled to flanges **30a**, **30b**, which are folded inwardly towards the filtering structure **16** in FIG. 4b. Additional details regarding flanges **30a** and **30b** and other features of respirator **10** and mask body **12** can be found in U.S. patent application 13/727,923 filed December 27, 2012, titled "Filtering Face-Piece Respirator Having Folded Flange," the entire disclosure of which is incorporated herein by reference.

[0060] A nose clip **35** (FIGS. 2, 3) can be disposed on the top portion **18** of the mask body **12** adjacent to the upper perimeter segment **24a**, centrally positioned between the mask body side edges **31a**, **31b**, to assist in achieving an appropriate fit on and around the nose and upper cheek bones. The nose clip **35** may be made from a pliable metal or plastic that is capable of being manually adapted by the wearer to fit the contour of the wearer's nose. The nose clip **35** may comprise, for example, a malleable or pliable soft band of metal such as aluminum, which can be shaped to hold the mask in a desired fitting relationship over the nose of the wearer and where the nose meets the cheek.

[0061] Turning to FIGS. 4a and 4b, a plane **32** bisects the mask body **12** to define the first and second sides **31a**, **31b**. The first and second flanges **30a** and **30b** located on opposing sides **31a** and **31b**, respectively, of the mask body **12** can be readily seen in FIG. 4a. The flanges **30a**, **30b** typically extend away from the mask body **12** and may be integrally or non-integrally connected to the major portion of the mask body **12** at first and second lines of demarcation **36a**, **36b**. Although the flanges **30a**, **30b** may comprise one or more or all of the various layers that comprise the mask body filtering structure **16**, the flanges **30a**, **30b** are not part of the primary filtering area of the mask body **12**. Unlike the filtering structure **16**, the layers that comprise the flanges **30a**, **30b** may be compressed, rendering them nearly fluid impermeable. The flanges **30a**, **30b** may be an extension of the material used to make the mask body filtering structure **16**, or they may be made from a separate material such as a rigid or semi-rigid plastic. The flanges **30a**, **30b** may be rotated or folded about an axis or fold line generally parallel, close to parallel, or at an angle of no more than about 30 degrees to these demarcation lines **36a**, **36b** to form the configuration of FIG. 4b. Further, the flanges **30a**, **30b** can have welds or bonds **34** thereon to increase flange stiffness, and the mask body perimeter lower segment **24b** also may have a series of bonds or welds **34** to join the various layers of the mask body **12** together.

[0062] Perimeter segment **24a** (FIGS. 1, 3, 6) also may have a series of bonds or welds to join the various layers together and also to maintain the position of the nose clip **35**. The remainder of the filtering structure **16** – inwardly from the perimeter – may be fully fluid permeable over much of its extended surface, with the possible exception of areas where there are bonds, welds, or fold lines.

[0063] The filtering structure **16** that is used in the mask body **12** can be of a particle capture or gas and vapor type filter. The filtering structure **16** also may be a barrier layer that prevents the transfer of liquid from one side of the filter layer to another to prevent, for instance, liquid aerosols or liquid splashes (e.g., blood) from penetrating the filter layer. Multiple layers of similar or dissimilar filter media may be used to construct the filtering structure **16** as the application requires. Filtration layers that may be beneficially employed in a layered mask body are generally low in pressure drop (for example, less than about 195 to 295 Pascals at a face velocity of 13.8 centimeters per second) to minimize the breathing work of the mask wearer. Filtration layers additionally may be flexible and may have sufficient shear strength so that they generally retain their structure under the expected use conditions.

[0064] FIG. 5 shows an exemplary filtering structure **16** having multiple layers such as an inner cover web **38**, an outer cover web **40**, and a filtration layer **42**. The filtering structure **16** also may have a structural netting or mesh juxtaposed against at least one or more of the layers **38**, **40**, or **42**, typically against the outer surface of the outer cover web **40**, that assist in providing a cup-shaped configuration. The filtering structure **16** also could have one or more horizontal and/or vertical lines of demarcation (e.g., pleat, fold, or rib) that contribute to its structural integrity.

[0065] An inner cover web **38**, which typically defines the interior surface of the mask body **12**, can be used to provide a smooth surface for contacting the wearer's face, and an outer cover web **40**, which typically defines the exterior surface **12a** (FIG. 2) of the mask body **12**, can be used to entrap loose fibers in the mask body or for aesthetic reasons. Both cover webs **38**, **40** protect the filtration layer **42**. The cover webs **38**, **40** typically do not provide any substantial filtering benefits to the filtering structure **16**, although outer cover web **40** can act as a pre-filter to the filtration layer **42**.

[0066] To obtain a suitable degree of comfort, the inner cover web **38** preferably has a comparatively low basis weight and is formed from comparatively fine fibers, often finer than those of outer cover web **40**. Either or both cover webs **38**, **40** may be fashioned to have a basis weight of about 5 to about 70 g/m² (typically about 17 to 51 g/m² and in some embodiments 34 to 51 g/m²), and the fibers may be less than 3.5 denier (typically less than 2 denier, and more typically less than 1 denier) but greater than 0.1. Fibers used in the cover webs **38**, **40** often have an average fiber diameter of about 5 to 24 micrometers, typically of about 7 to 18 micrometers, and more typically of about 8 to 12 micrometers. The cover web material may have a degree of elasticity (typically, but not necessarily, 100 to 200% at break) and may be plastically deformable.

[0067] Typically, the cover webs **38, 40** are made from a selection of nonwoven materials that provide a comfortable feel, particularly on the side of the filtering structure that makes contact with the wearer's face, i.e., inner cover web **38**. Suitable materials for the cover web may be blown microfiber (BMF) materials, particularly polyolefin BMF materials, for example polypropylene BMF materials (including polypropylene blends and also blends of polypropylene and polyethylene). Spun-bond fibers also may be used.

[0068] A typical cover web may be made from polypropylene or a polypropylene/polyolefin blend that contains 50 weight percent or more polypropylene. Polyolefin materials that are suitable for use in a cover web may include, for example, a single polypropylene, blends of two polypropylenes, and blends of polypropylene and polyethylene, blends of polypropylene and poly(4-methyl-1-pentene), and/or blends of polypropylene and polybutylene. Cover webs **38, 40** preferably have very few fibers protruding from the web surface after processing and therefore have a smooth outer surface.

[0069] The filtration layer **42** is typically chosen to achieve a desired filtering effect. The filtration layer **42** generally will remove a high percentage of particles and/or other contaminants from the gaseous stream that passes through it. For fibrous filter layers, the fibers selected depend upon the kind of substance to be filtered.

[0070] The filtration layer **42** may come in a variety of shapes and forms and typically has a thickness of about 0.2 millimeters (mm) to 5 mm, more typically about 0.3 mm to 3 mm (e.g., about 0.5 mm), and it could be a generally planar web or it could be corrugated to provide an expanded surface area. The filtration layer also may include multiple filtration layers joined together by an adhesive or any other means. Essentially any suitable material that is known (or later developed) for forming a filtering layer may be used as the filtering material. Webs of melt-blown fibers, especially when in a persistent electrically charged (electret) form are especially useful. Electrically charged fibrillated-film fibers also may be suitable, as well as rosin-wool fibrous webs and webs of glass fibers or solution-blown, or electrostatically sprayed fibers, especially in microfilm form. Also, additives can be included in the fibers to enhance the filtration performance of webs produced through a hydro-charging process. Fluorine atoms, in particular, can be disposed at the surface of the fibers in the filter layer to improve filtration performance in an oily mist environment.

[0071] Examples of particle capture filters include one or more webs of fine inorganic fibers (such as fiberglass) or polymeric synthetic fibers. Synthetic fiber webs may include electret-charged, polymeric microfibers that are produced from processes such as meltblowing. Polyolefin microfibers formed from polypropylene that has been electrically-charged provide

particular utility for particulate capture applications. An alternate filter layer may comprise a sorbent component for removing hazardous or odorous gases from the breathing air. Sorbents may include powders or granules that are bound in a filter layer by adhesives, binders, or fibrous structures. A sorbent layer can be formed by coating a substrate, such as fibrous or reticulated foam, to form a thin coherent layer. Sorbent materials may include activated carbons that are

5 chemically treated or not, porous alumina-silica catalyst substrates, and alumina particles.

[0072] Although the filtering structure **16** has been illustrated in FIG. 5 with one filtration layer **42** and two cover webs **38, 40**, the filtering structure **16** may comprise a plurality or a combination of filtration layers **42**. For example, a pre-filter may be disposed upstream to a more refined and selective downstream filtration layer. Additionally, sorptive materials such as activated carbon may be disposed between the fibers and/or various layers that comprise the filtering structure. Further, separate particulate filtration layers may be used in conjunction with sorptive layers to provide filtration for both particulates and vapors.

10 [0073] During respirator use, incoming air passes sequentially through layers **40, 42**, and **38** before entering the mask interior. The air that is within the interior gas space of the mask body may then be inhaled by the wearer. When a wearer exhales, the air passes in the opposite direction sequentially through layers **38, 42**, and **40**. Alternatively, an exhalation valve (not shown) may be provided on the mask body **12** to allow exhaled air to be rapidly purged from the interior gas space to enter the exterior gas space without passing through filtering structure **16**.

20 The use of an exhalation valve may improve wearer comfort by rapidly removing the warm moist exhaled air from the mask interior. Essentially any exhalation valve that provides a suitable pressure drop and that can be properly secured to the mask body may be used in connection with the present invention to rapidly deliver exhaled air from the interior gas space to the exterior gas space.

25 [0074] The respirators of this invention include at least one stiffening member extending transversely across the mask body **12**, from side **31a** to side **31b**. The stiffening member(s) are formed by a triple layer of the filtering structure **16**.

[0075] Turning to FIG. 6, the mask body **12** is shown, including the exterior surface **12a** of the mask body **12** and the opposite interior surface **12b**. Integrally formed with the filtering structure **16** of the mask body **12** is at least one stiffening member **50**; the illustrated mask body **12** has three stiffening members **50a, 50b**, and **50c**. The stiffening member **50a** is positioned in the top portion **18**, the stiffening member **50b** is positioned approximately at the line of demarcation **22** (FIGS. 1 and 2) and the stiffening member **50c** is positioned in the bottom portion **20** of the mask body **12**. In the illustrated embodiment, the stiffening members **50a, 50c**

30

are essentially equidistant from the stiffening member **50b**; that is, the distance between the stiffening member **50a** and the stiffening member **50b** is essentially the same as the distance between the stiffening member **50b** and the stiffening member **50c**. Of course, different spacings for multiple stiffening members **50** could be utilized.

5 [0076] Each stiffening member **50** is formed by three layers of the filtering structure **16** joined together to form a rib, support, brace, strut, beam, or other stiffening feature. Each member **50** has a rib **52** present in the interior gas space of mask body **12** proximate the interior surface **12b** and a rib **54** present in the exterior gas space of mask body **12**, proximate the exterior surface **12a**. A connection region **55** that extends the length of the stiffening member **50**
10 forms the ribs **52**, **54**, which are unwelded loops of the filtering structure **16**; that is, ribs **52**, **54** are formed by juxtaposed unwelded layers of the filtering structure **16**. Connection region **55** is the region where three layers of the filtering structure **16** are permanently connected together, for example, by adhesive, mechanical attachment (e.g., sewing, staples, etc.), or by welding (e.g., ultrasonic and/or thermal welding, which includes heat and pressure).

15 [0077] The stiffening member(s) **50** extend transversely across the mask body **12**, preferably forming a continuous member from side **31a** to side **31b**. In some embodiments, the stiffening member **50** is a continuous interrupted feature (e.g., a dashed or stitched line) extending from side **31a** to side **31b**. Stiffening member **50**, due to its increased thickness compared to the rest of the mask body **12** generally, and/or due to the rigidity of the connection region **55**, increases
20 the resistance of mask body **12** to collapsing inward, toward the face of the wearer.

[0078] In some embodiments, including the one illustrated in FIG. 6, inner rib **52** is the upper-most rib of the two ribs, positioned above connection region **55** and outer rib **54** when the mask body **12** is positioned on the face of a wearer. In this embodiment, the inner rib **52** forms a channel or gutter **58** with filtering structure **16** above connection region **55**. This gutter **58** can
25 collect, retain, and optionally transport liquid that might coalesce on interior surface **12b** of mask body **12** and drain into gutter **58**.

[0079] FIGS. 7 and 8 show the filtering structure **16** that forms the stiffening member **50**, prior to and after connection (e.g., welding) at connection region **55**. In FIG. 7, a single piece of the filtering structure **16**, having a thickness (T), is twice-folded or pleated to form an “s” shape.
30 This s-shaped region of the folded structure **16**, which will eventually form the connection region and the ribs, has a thickness of 3(T), or three times the thickness (T) of the filtering structure **16**. After the connection region **55** has been formed, in FIG. 8, the connection region **55**, particularly if formed by welding, has a thickness that is significantly less than 3(T), typically no greater than the thickness (T) of the filtering structure **16**. However, depending on

the mechanism of connection, the thickness in the connection region **55** can range from less than to $3(T)$ or even more than $3(T)$. For example, if an adhesive is used between the three layers of filtering structure **16**, the resulting connection region **55** may have a thickness greater than $3(T)$. The overall thickness of the stiffening member **50**, measured at either rib **52** or rib **54**, is between about $2(T)$ to $3(T)$, e.g., about $2.4(T)$ or $2.5(T)$. The ribs **52**, **54** themselves each has a thickness between about $1(T)$ to about $2(T)$.

[0080] The ribs **52**, **54** typically have a length, measured from the connection region **55** to their tip, of about 1 mm to 5 mm for each rib **52**, **54**; the overall distance from tip to tip is typically 2 mm to 1 cm. If the connection region **55** is not centered, uneven length ribs **52**, **54** will be formed. The width of the connection region **55**, between the ribs **52**, **54**, is dependent on the mechanism of connection. As an example, a welded connection region **55** can have a width of about 1 mm.

[0081] FIG. 9 shows an alternate configuration for a stiffening member **60**. In FIG. 9, the filtering structure **16**, having a thickness (T), is twice-folded or pleated to form an “s” shape.

Within the s-pleat is a connection region **55** formed by multiple connection region portions **55a**, **55b**. That is, the stiffening member **60** has multiple connection regions (e.g., welded connection regions), in this embodiment, two. Depending on the placement of and width of the connection region portions **55a**, **55b** in relation to the overall length of the s-pleat, ribs **52**, **54** may be present on the outer sides of the connection region **55**, or the connection region portions **55a**, **55b** may be sufficiently close to the edge of the s-pleat that no rib **52**, **54** is discernible.

[0082] The various thicknesses for the elements of the stiffening member **60** can be the same as described above, however, again depending on the position and width of the two connection region portions **55a**, **55b**, the ribs **52**, **54** may have a length, if at all even measurable, of about 0.2 mm to 1 mm for each rib **52**, **54**.

[0083] In another alternate configuration of a stiffening member, the connection region may be sufficiently wide to occupy the entire area of the s-pleat. Such a connection region may be continuous or may be patterned, such as a knurled pattern.

[0084] Another embodiment of a mask body **12** having at least one stiffening member **50** is illustrated in FIGS. 10 and 11. This mask body **12**, the same as the previous example, has the top portion **18** and the bottom portion **20** divided by a line of demarcation **22**, which, in this embodiment, is a stiffening member **50**. Stiffening member **50** extends from side edge **31a** to side edge **31b** in a continuous manner and continues along flanges **30a** and **30b**. In FIG. 10, the mask body **12** is in a partially opened configuration, with the flanges **30a**, **30b** extending out from the mask body **12**, not yet folded in contact with the filtering structure **16**. In FIG. 11,

flanges **30a**, **30b** are folded along the fold line **37** to form the cup-shaped mask body **12**.

Although only flange **30b** and its respective fold line are seen in FIG. 11, the other side of the mask body **12** includes a fold line **37** proximate the other flange **30a**. In this embodiment, the fold line **37** is spaced from the demarcation line **36b**. Folding the flange **30b** along the line **37** to contact the filtering structure **16** results in the stiffening member **50** forming a 3-sided trapezoidal-like shape having one base side **51a** and two legs **51b**. As before, the base side **51a**, extending transversely, increases the resistance of the mask body **12** to collapsing inward, toward the face of the wearer. The legs **51b** increase the stiffness of the mask body **12** vertically, inhibiting collapsing downward when positioned on the face of the wearer.

5 [0085] FIG. 12 illustrates an exemplary method for forming a filtering face-piece respirator **10** having a mask body **12** with at least one stiffening member **50** transversely extending across the mask body **12**; particularly, this method forms the mask body **12** of FIGS. 10 and 11.

[0086] The respirator **10** is assembled in two operations – mask body making and mask finishing. The mask body making stage includes (a) lamination and fixing of nonwoven fibrous webs to form the filtration structure, (b) formation of various pleat crease lines, (c) formation of stiffening member(s) in the filtering structure, (d) sealing the lateral mask edges, and (e) cutting the final form, which may be done in various sequence(s) or combination(s). The mask finishing operation includes (a) forming a cup-shaped structure, (b) folding the flanges to contact the filtration structure, and (c) attaching a harness (e.g., straps). At least portions of this method can be considered a continuous process rather than a batch process; for example, the mask body can be made by a process that is continuous in the machine direction, including formation of the stiffening member(s).

20 [0087] Referring to FIG. 12, three individual material sheets, an inner cover web **38**, an outer cover web **40**, and a filtration layer **42**, are brought together and plied face-to-face to form an extended length of filtering structure **16**. These materials are laminated together, for example, by adhesive, thermal welding, or ultrasonic welding. The resulting filtering structure **16** is cut to desired size, typically a length suitable for a single mask.

[0088] A nose clip **35** may be attached to the filtering structure **16**, optionally in a pocket formed between the outer cover web **40** and the filtration layer **42**.

30 [0089] The filtering structure **16** is manipulated (e.g., folded, pleated) to form various pleats transversely extending across the filtering structure **16**. An s-shaped pleat is also formed the length of the filtering structure **16** and welded (e.g., using heat and ultrasonics) to form the stiffening member **50**. The s-shaped pleats may be formed in the extending length of filtering

structure **16** prior to the filtering structure **16** being cut to length, or may be formed after being cut to length.

5 [0090] The filtering structure **16** is then folded and/or pleated and various seals and bonds are made to form various features, such as the demarcation line **22** and flanges **30a**, **30b**, on the flat mask body. In this illustrated method, the demarcation line **22** is positioned on or near the stiffening member **50**.

[0091] In some embodiments, the material is cut to desired size, typically a length suitable for a single mask, after forming of the demarcation line **22**, stiffening member **50**, and/or other folds, pleats and various seals and bonds.

10 [0092] The flat mask body **12** is expanded to a cup shape and the flanges **30a**, **30b** are folded down, resulting in the mask body **12** of the flat-fold filtering face-piece respirator **10** with a 3-sided trapezoidal-shaped stiffening member **50** having a base side **51a** and two legs **51b**. Straps **26**, **27** can be added, for example, stapled to flanges **30a**, **30b**.

15 [0093] This invention may take on various modifications and alterations without departing from its spirit and scope. Accordingly, this invention is not limited to the above-described but is to be controlled by the limitations set forth in the following claims and any equivalents thereof. As an example, the stiffening member of this invention may be incorporated into 'flat' face masks, such as those commonly used in the medical profession, or in vertical fold face masks, such as described in, for example, U.S. Patent 6,394,090 to Chen et al.

20 [0094] This invention also may be suitably practiced in the absence of any element not specifically disclosed herein.

[0095] All patents and patent applications cited above, including those in the Background section, are incorporated by reference into this document in total. To the extent there is a conflict or discrepancy between the disclosure in such incorporated document and the above
25 specification, the above specification will control.

What is claimed is:

1. A filtering face-piece respirator that comprises:
 - (a) a harness; and
 - 5 (b) a mask body that comprises a filtering structure and at least one stiffening member extending transversely across the mask body, the stiffening member formed by the filtering structure being folded into an s-shape and being welded together at a connection region so that three layers of the filtering structure are joined together.
- 10 2. The filtering face-piece respirator of claim 1, wherein the stiffening member has two juxtaposed layers of the filtering structure on each side of the connection region when viewed in cross-section, the two layers extending a distance (L) from the connection region and being juxtaposed for at least 1 mm from the connection region.
- 15 3. The filtering face-piece respirator of claim 2, wherein the two juxtaposed layers of the filtering structure on each side of the connection region are non-welded to each other.
4. The filtering face-piece respirator of claim 3 wherein the filtering structure has a thickness (T), the connection region has a thickness that is no greater than the thickness (T), and
20 the two juxtaposed layers of the filtering structure on each side of the connection region have a thickness that is in the range of $1(T)$ to $2(T)$.
5. The filtering face-piece respirator of claim 1 wherein the stiffening member extends transversely across the mask body from a first side of the mask body to a second
25 opposing side of the mask body.
6. The filtering face-piece respirator of claim 1, the mask body further comprising first and second flanges located at first and second opposing sides, the first and second flanges each being folded inwardly to contact the filtering structure when the mask body is in an in-use
30 configuration.
7. The filtering face-piece respirator of claim 6 wherein the stiffening member extends transversely across the mask body and along the first and second flanges.

8. The filtering face-piece respirator of claim 7 wherein the stiffening member forms a 3-sided trapezoidal shape having a base side and first and second legs.

5 9. The filtering face-piece respirator of claim 1 further comprising a second stiffening member formed by the filtering structure being folded into an s-shape and being welded together at a connection region so that three layers of the filtering structure are joined together.

10 10. A filtering face-piece respirator that comprises:
(a) a harness; and
(b) a mask body having an interior surface and an exterior surface, the mask body comprising a filtering structure and at least one stiffening member formed by the filtering structure, the stiffening member having a connection region and an interior rib proximate the interior surface and an exterior rib proximate the exterior surface.

15 11. The filtering face-piece respirator of claim 10, wherein the connection region comprises a welded region.

20 12. The filtering face-piece respirator of claim 10, wherein the connection region comprises multiple connection region portions.

25 13. The filtering face-piece respirator of claim 10, wherein the mask body comprises a top portion and a bottom portion separated by a line of demarcation and the stiffening member is positioned at the line of demarcation.

14. The filtering face-piece respirator of claim 12, wherein the top portion comprises an upper perimeter segment and the bottom portion comprises a lower perimeter segment.

30 15. The filtering face-piece respirator of claim 14, wherein the interior rib is positioned closer to the upper perimeter segment than the exterior rib.

16. The filtering face-piece respirator of claim 9 further comprising a second stiffening member formed by the filtering structure, the second stiffening member having a

connection region and an interior rib proximate the interior surface and an exterior rib proximate the exterior surface.

17. The filtering face-piece respirator of claim 9 wherein each of the interior rib and
5 the exterior rib have a length (L) measured from the connection region to a tip of the rib, and wherein the length (L) of each rib is in the range of 1 mm to 5 mm.

18. A method of making a filtering face-piece respirator that comprises:

- (a) forming a mask body having an interior surface and an exterior surface, the mask
10 body comprising a filtering structure;
- (b) forming at least one stiffening member in the mask body by:
- (i) folding the filtering structure into an s-shape, and
- (ii) connecting the filtering structure together to form a connection region and an
interior rib proximate the interior surface of the mask body and an exterior rib proximate the
15 exterior surface of the mask body.

19. The method of claim 18 wherein the step of connecting comprises welding.

20. The method of claim 18 wherein the steps of forming a mask body and forming
20 the at least one stiffening member in the mask body are continuous machine direction processes.

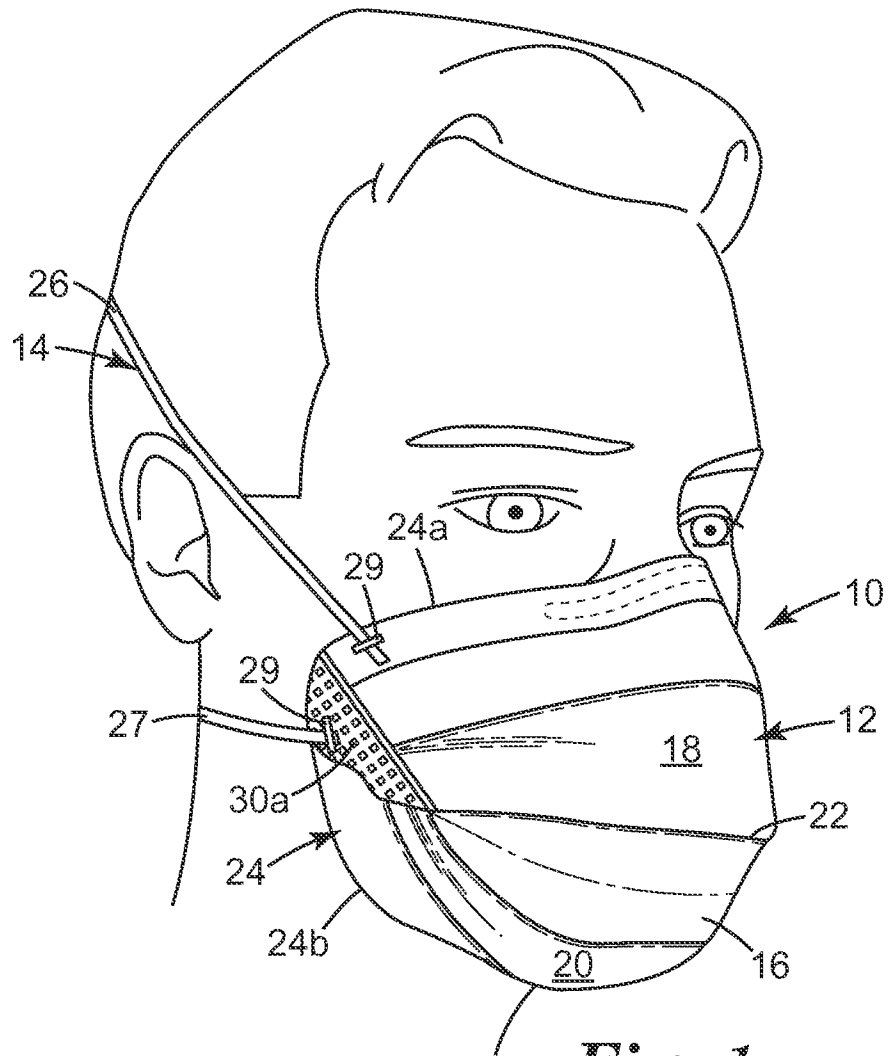


Fig. 1

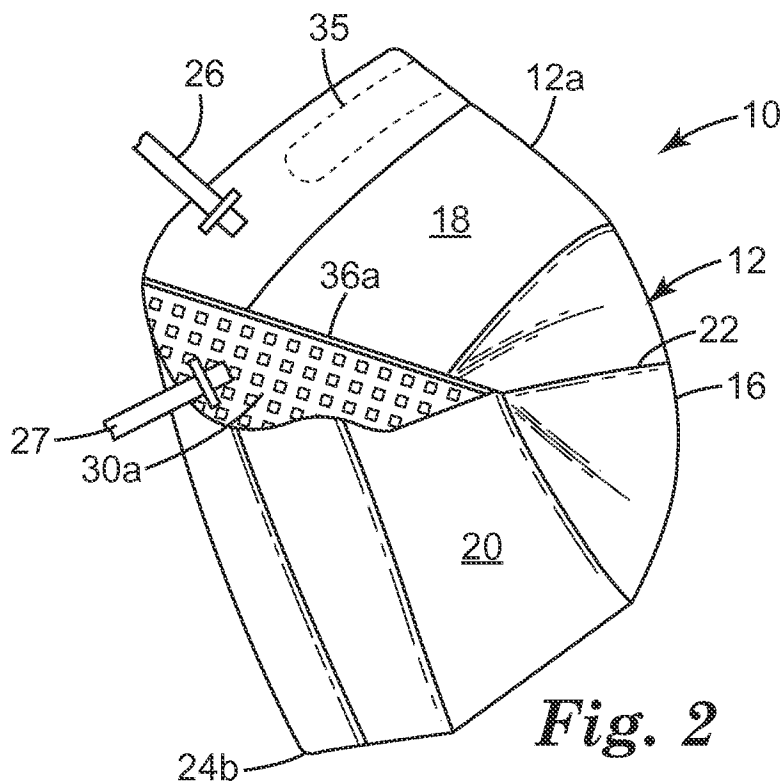
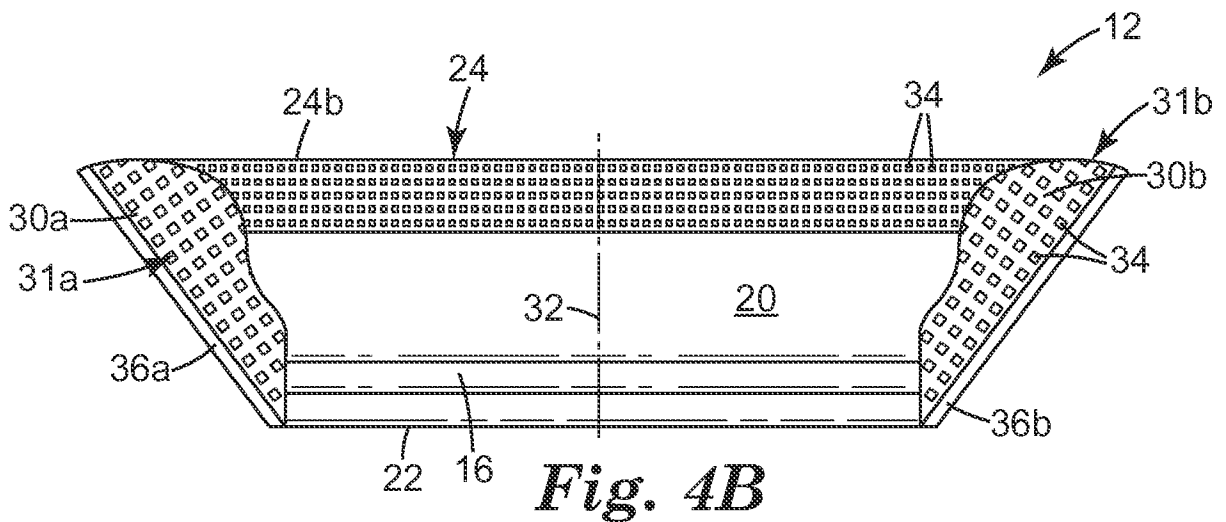
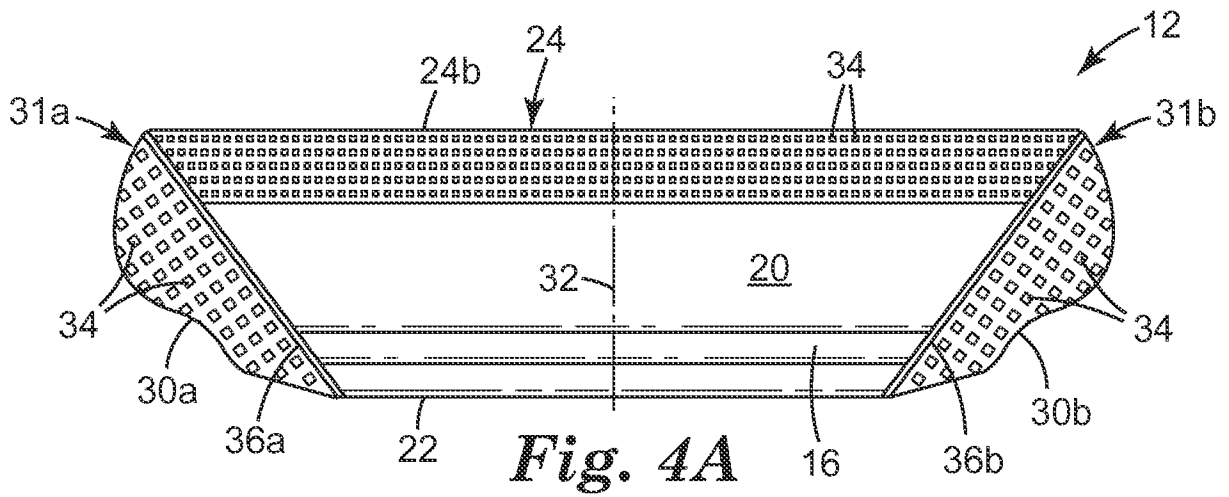
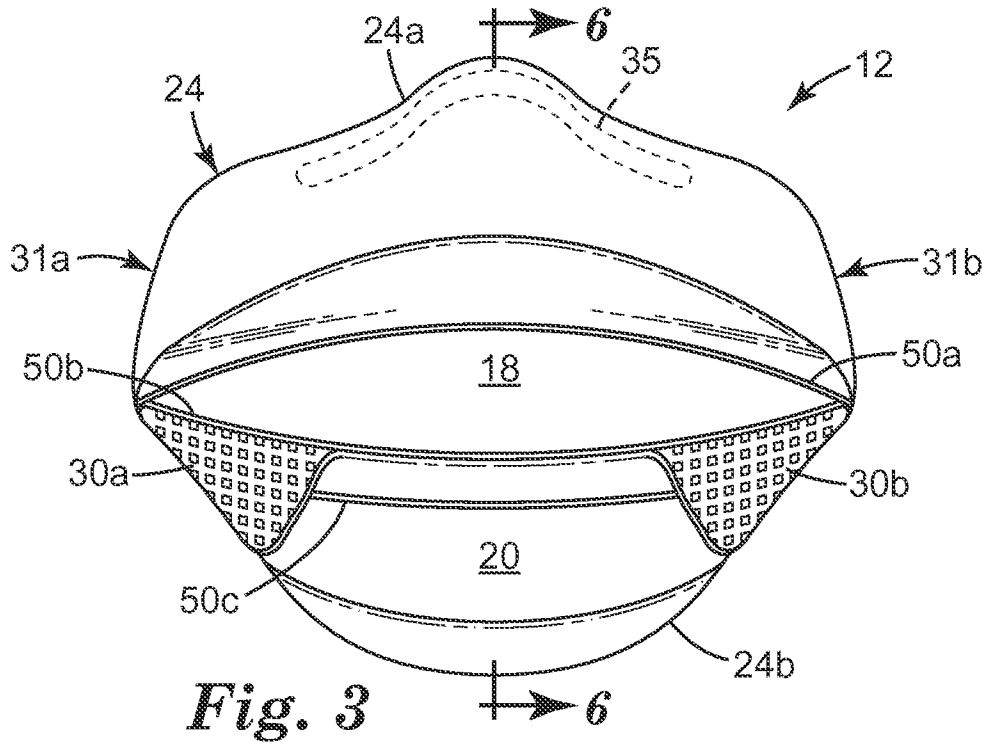


Fig. 2



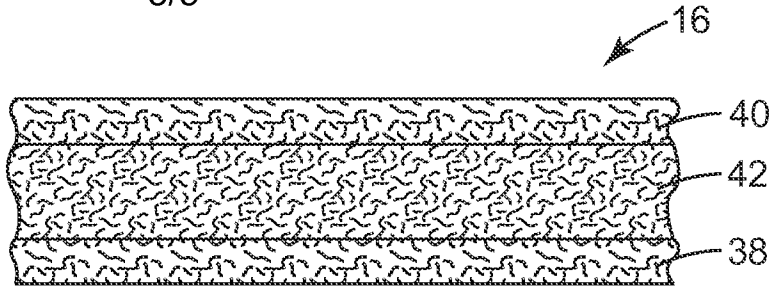


Fig. 5

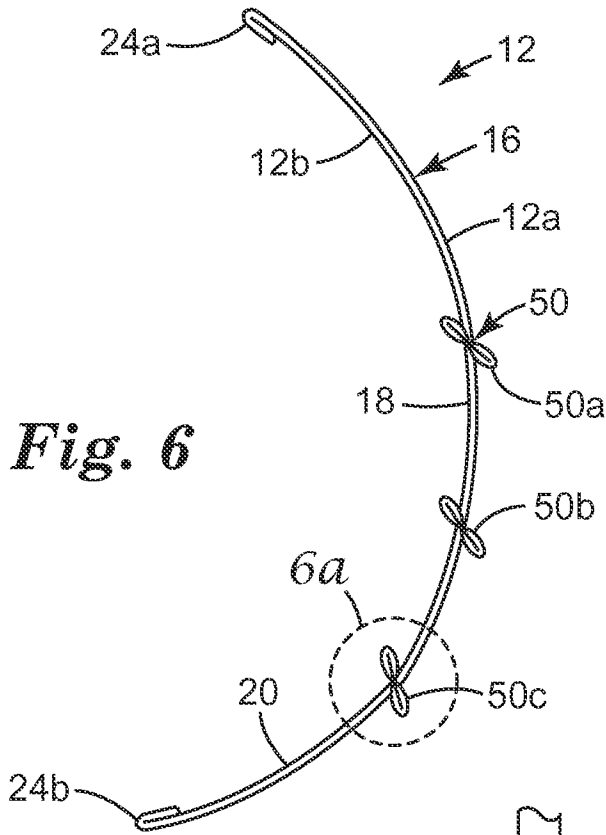


Fig. 6

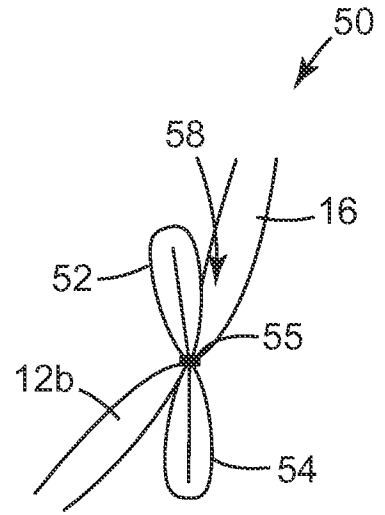


Fig. 6a

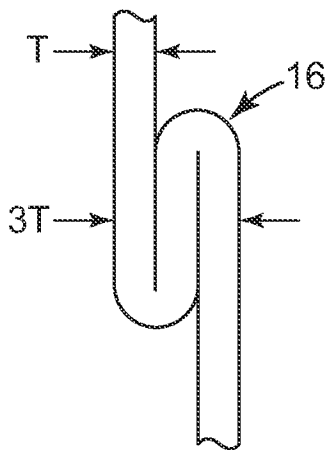


Fig. 7

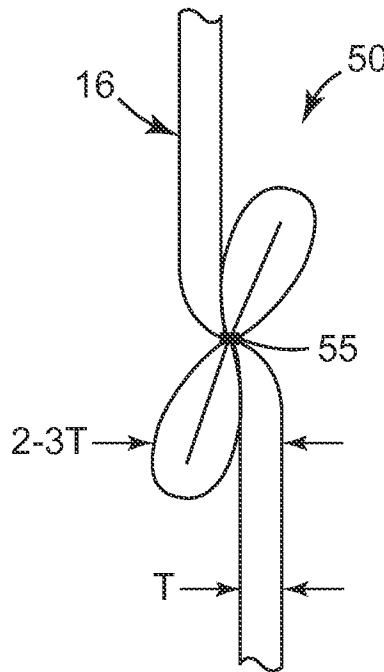


Fig. 8

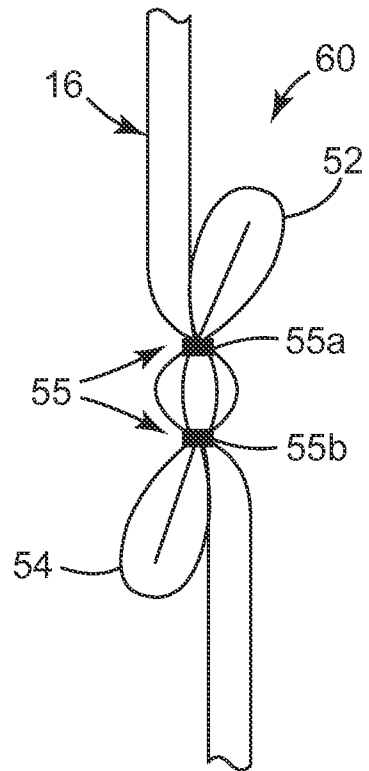


Fig. 9

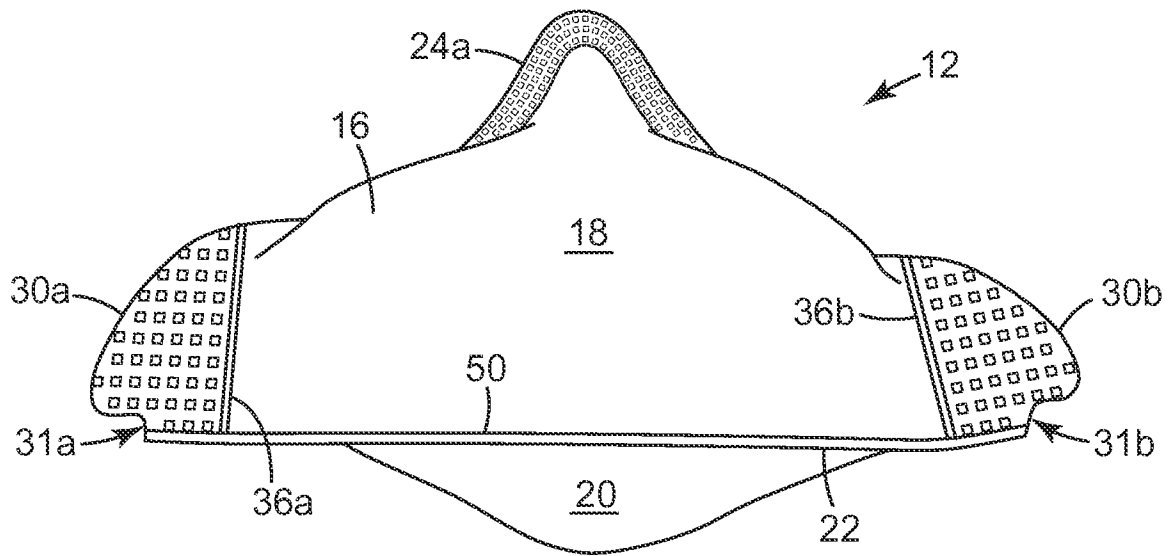


Fig. 10

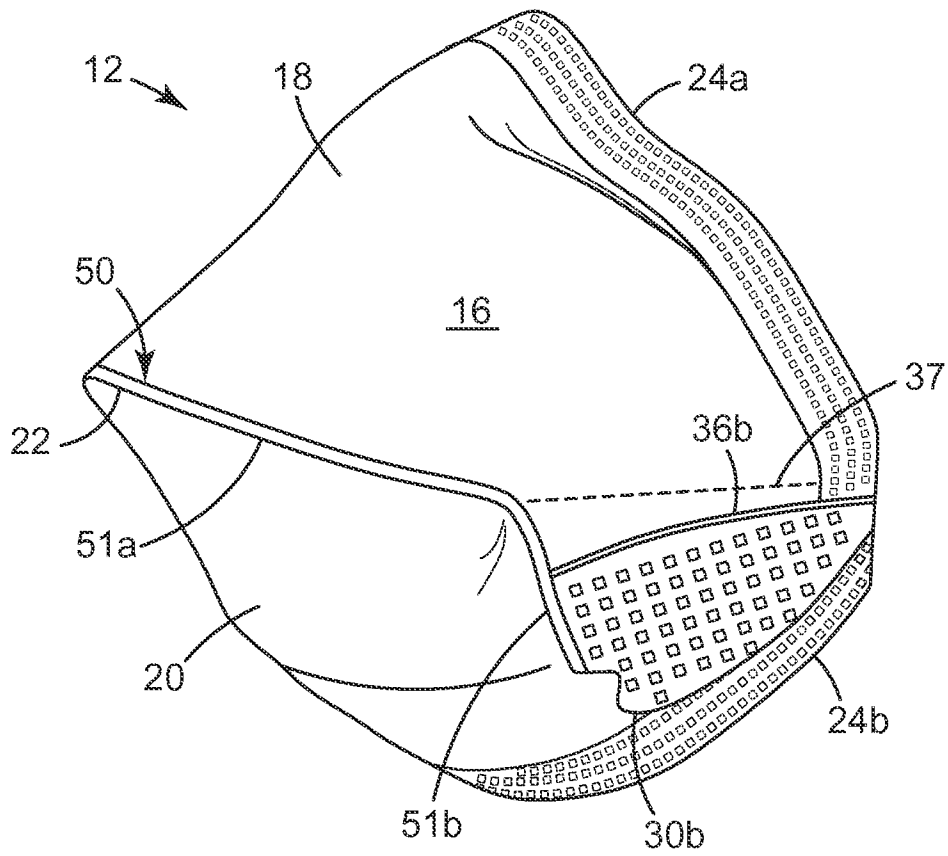


Fig. 11

