



US00D401593S

United States Patent [19]

[11] Patent Number: **Des. 401,593**

Nishimura et al.

[45] Date of Patent: ****Nov. 24, 1998**

[54] NAVIGATION ANTENNA

3,551,916	1/1971	Reid .	
3,911,441	10/1975	Stein	343/709
3,999,183	12/1976	Brett	343/709
4,329,690	5/1982	Parker	343/709
5,111,212	5/1992	DeSatnick et al.	343/709
5,406,294	4/1995	Silvey et al.	343/709
5,661,495	8/1997	Saidell	343/702
5,684,493	11/1997	Floyd et al.	343/709
5,710,567	1/1998	Funke	343/702

[75] Inventors: **Shinichiro Nishimura; Hideyuki Tsutsui**, both of Tokyo; **Miyoshi Nishio**, Mitaka, all of Japan

[73] Assignee: **Japan Radio Co., Ltd.**, Tokyo, Japan

[**] Term: **14 Years**

[21] Appl. No.: **68,017**

[22] Filed: **Mar. 14, 1997**

[30] **Foreign Application Priority Data**

Sep. 25, 1996 [JP] Japan 8-28517

[51] **LOC (6) Cl.** **14-03**

[52] **U.S. Cl.** **D14/230**

[58] **Field of Search** D14/230-238, D14/204, 299; 343/781 R, 824-825, 872-873, 878, 888-890, 907-908, 912, DIG. 2, 713, 715, 709, 710, 725

[56] **References Cited**

U.S. PATENT DOCUMENTS

D. 338,206	8/1993	Sawaguchi et al.	D14/230
D. 387,771	12/1997	Martinson et al.	D14/230
3,465,345	9/1969	Stromswold et al. .	

Primary Examiner—Ruth McInroy
Attorney, Agent, or Firm—Frishauf, Holtz, Goodman, Langer & Chick

[57] **CLAIM**

The ornamental design for navigation antenna, as shown and described.

DESCRIPTION

FIG. 1 is a perspective view of navigation antenna, showing our new design;
FIG. 2 is a front view thereof;
FIG. 3 is a rear view thereof;
FIG. 4 is a left side view thereof; the right side view being a mirror image;
FIG. 5 is a top plan view thereof; and,
FIG. 6 is a bottom plan view thereof.

1 Claim, 4 Drawing Sheets

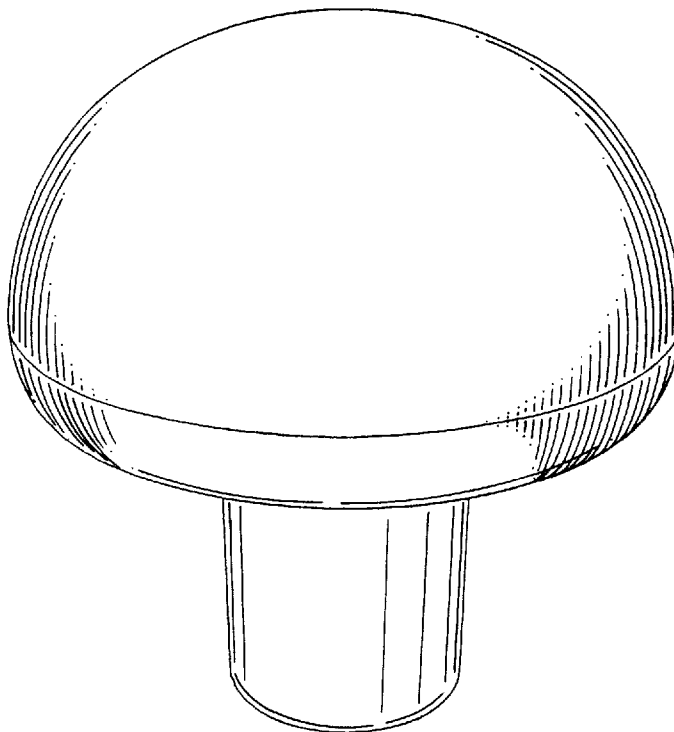


FIG. 1

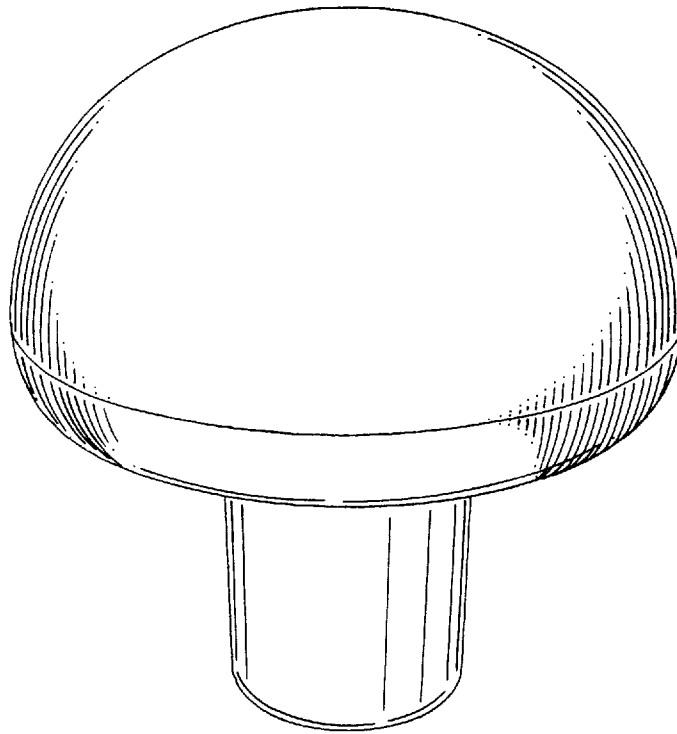


FIG. 2

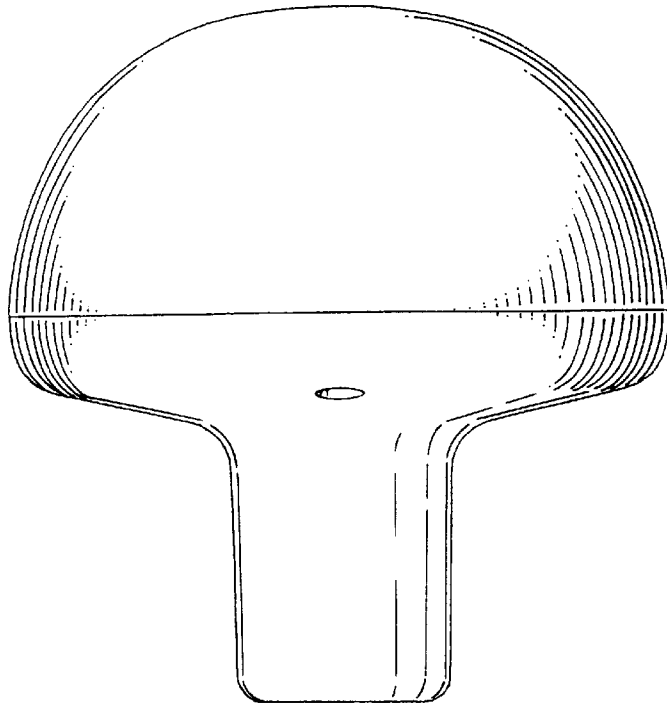


FIG. 3

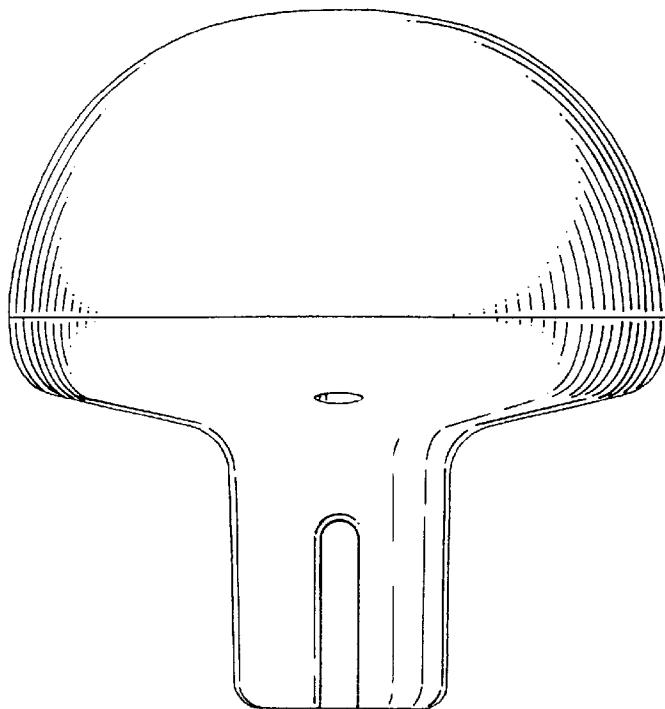


FIG. 4

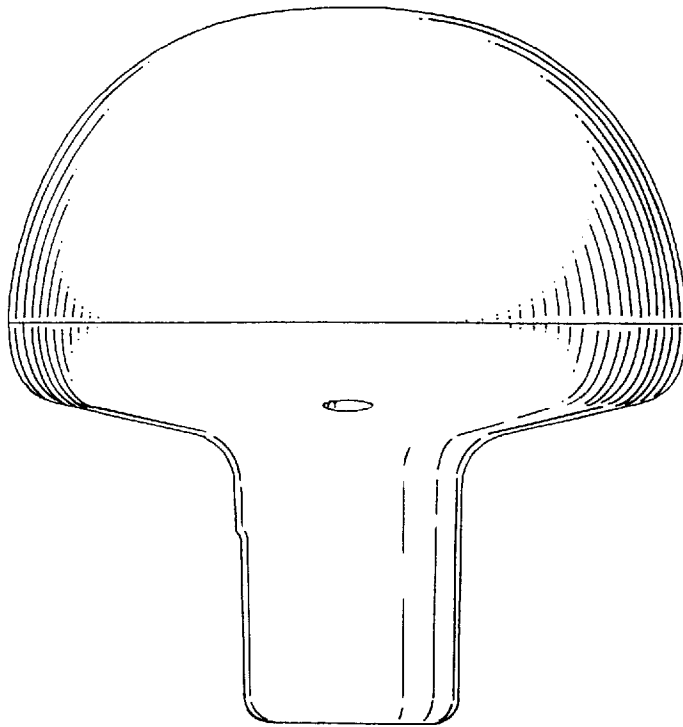


FIG. 5

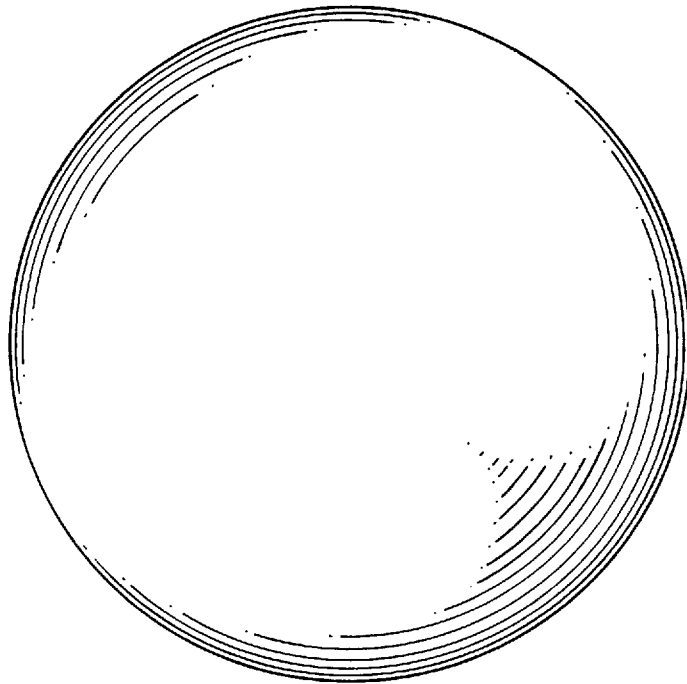


FIG. 6

