

(19) World Intellectual Property Organization  
International Bureau



(10) International Publication Number  
**WO 2009/117748 A3**

(43) International Publication Date  
24 September 2009 (24.09.2009)

(51) International Patent Classification:

*B21D 37/02* (2006.01)    *B21D 5/02* (2006.01)  
*B21D 37/20* (2006.01)

(21) International Application Number:

PCT/ZA2009/000026

(22) International Filing Date:

18 March 2009 (18.03.2009)

(25) Filing Language:

English

(26) Publication Language:

English

(30) Priority Data:

2008/2534    19 March 2008 (19.03.2008)    ZA

(71) Applicant (for all designated States except US): AN-

DREW WIRELESS SOLUTIONS AFRICA (PTY)  
LTD [ZA/ZA]; 11 Commerce Crescent West, Eastgate,  
2196 Sandton (ZA).

(72) Inventor; and

(75) Inventor/Applicant (for US only): INDIVERI, Gennaro

[ZA/ZA]; C/O 11 Commerce Crescent West, Eastgate,  
2196 Sandton (ZA).

(74) Agent: HAHN & HAHN INC. C. BERNDT; V.C.

WILLIAMS; P.C.R. VENTER; J.F. LUTEREK; C.  
MICHAEL; 222 Richard Street, Hatfield, 0083 Pretoria  
(ZA).

(81) Designated States (unless otherwise indicated, for every

kind of national protection available): AE, AG, AL, AM,  
AO, AT, AU, AZ, BA, BB, BG, BH, BR, BW, BY, BZ,  
CA, CH, CN, CO, CR, CU, CZ, DE, DK, DM, DO, DZ,  
EC, EE, EG, ES, FI, GB, GD, GE, GH, GM, GT, HN,  
HR, HU, ID, IL, IN, IS, JP, KE, KG, KM, KN, KP, KR,  
KZ, LA, LC, LK, LR, LS, LT, LU, LY, MA, MD, ME,  
MG, MK, MN, MW, MX, MY, MZ, NA, NG, NI, NO,  
NZ, OM, PG, PH, PL, PT, RO, RS, RU, SC, SD, SE, SG,  
SK, SL, SM, ST, SV, SY, TJ, TM, TN, TR, TT, TZ, UA,  
UG, US, UZ, VC, VN, ZA, ZM, ZW.

(84) Designated States (unless otherwise indicated, for every

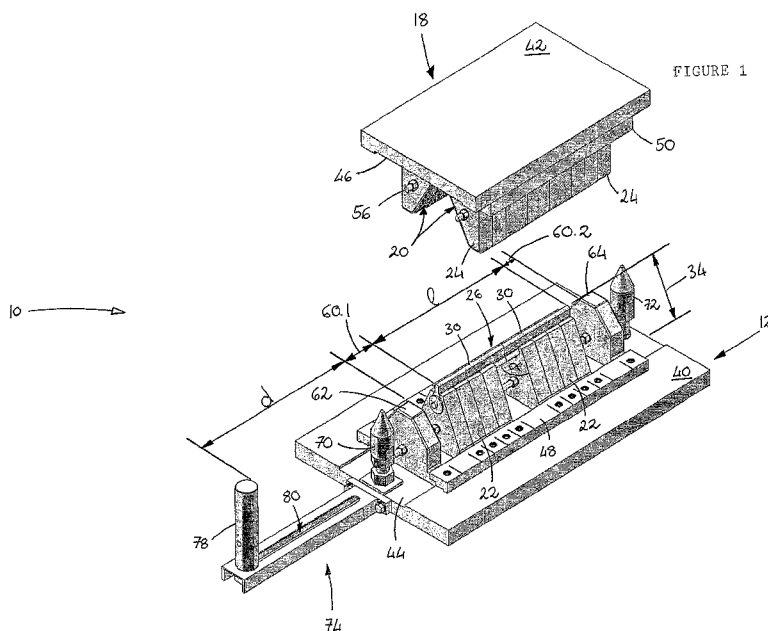
kind of regional protection available): ARIPO (BW, GH,  
GM, KE, LS, MW, MZ, NA, SD, SL, SZ, TZ, UG, ZM,  
ZW), Eurasian (AM, AZ, BY, KG, KZ, MD, RU, TJ,  
TM), European (AT, BE, BG, CH, CY, CZ, DE, DK, EE,  
ES, FI, FR, GB, GR, HR, HU, IE, IS, IT, LT, LU, LV,  
MC, MK, MT, NL, NO, PL, PT, RO, SE, SI, SK, TR),  
OAPI (BF, BJ, CF, CG, CI, CM, GA, GN, GQ, GW, ML,  
MR, NE, SN, TD, TG).

Published:

- with international search report (Art. 21(3))
- before the expiration of the time limit for amending the claims and to be republished in the event of receipt of amendments (Rule 48.2(h))

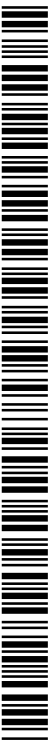
[Continued on next page]

(54) Title: A PRESSING TOOL



(57) Abstract: A pressing tool (10) for forming at least a portion of an angle section beam includes a male member (12) presenting a first tool surface (14) for in use receiving at least a portion of the angle section beam thereon. The first tool surface (14) has two inclined surfaces 16.1 and 16.2 defining an angle  $\alpha$  of less than ninety degrees between them. The tool 10 further includes a female member 18 presenting a second tool surface (20) complementary in shape to the first tool surface (14) for in use engaging the angle section beam located on the male member (12). The male and female members (12) and (18) are composed of modular units (22) and (24) respectively so as to permit their length, and thereby the portion of the angle section beam to be formed, to be varied.

WO 2009/117748 A3



**(88)** Date of publication of the international search report:  
10 December 2009

**INTERNATIONAL SEARCH REPORT**

International application No  
PCT/ZA2009/000026

**A. CLASSIFICATION OF SUBJECT MATTER**  
INV. B21D37/02 B21D37/20 B21D5/02

According to International Patent Classification (IPC) or to both national classification and IPC

**B. FIELDS SEARCHED**

Minimum documentation searched (classification system followed by classification symbols)  
B21D

Documentation searched other than minimum documentation to the extent that such documents are included in the fields searched

Electronic data base consulted during the international search (name of data base and, where practical, search terms used)

EPO-Internal, WPI Data

**C. DOCUMENTS CONSIDERED TO BE RELEVANT**

Category*	Citation of document, with indication, where appropriate, of the relevant passages	Relevant to claim No.
X A	DE 21 17 245 A1 (RAY-LAM MANUFACTURING CO.) 28 October 1971 (1971-10-28) figure 1	1-11 12-16
X A	JP 2004 337919 A (OI SEISAKUSHO CO LTD) 2 December 2004 (2004-12-02) figures 1-4	1-11 12-16
X A	US 5 878 619 A (WALCZAK KENNETH H [US]) 9 March 1999 (1999-03-09) figure 1	1-11 2-16
X A	US 3 474 657 A (SPIEGEL RAYMOND J) 28 October 1969 (1969-10-28) figures 1-4	1-11 2-16
X A	US 2007/005176 A1 (YAMAZAKI TSUNEHICO [JP] ET AL) 4 January 2007 (2007-01-04) figures 1-4	1-11 2-16

Further documents are listed in the continuation of Box C.

See patent family annex.

\* Special categories of cited documents :

- \*A\* document defining the general state of the art which is not considered to be of particular relevance
- \*E\* earlier document but published on or after the international filing date
- \*L\* document which may throw doubts on priority claim(s) or which is cited to establish the publication date of another citation or other special reason (as specified)
- \*O\* document referring to an oral disclosure, use, exhibition or other means
- \*P\* document published prior to the international filing date but later than the priority date claimed

- \*T\* later document published after the international filing date or priority date and not in conflict with the application but cited to understand the principle or theory underlying the invention
- \*X\* document of particular relevance; the claimed invention cannot be considered novel or cannot be considered to involve an inventive step when the document is taken alone
- \*Y\* document of particular relevance; the claimed invention cannot be considered to involve an inventive step when the document is combined with one or more other such documents, such combination being obvious to a person skilled in the art.
- \*Z\* document member of the same patent family

Date of the actual completion of the international search

14 October 2009

Date of mailing of the international search report

22/10/2009

Name and mailing address of the ISA/

European Patent Office, P.B. 5818 Patentlaan 2  
NL - 2280 HV Rijswijk  
Tel. (+31-70) 340-2040,  
Fax: (+31-70) 340-3016

Authorized officer

Vinci, Vincenzo

**FURTHER INFORMATION CONTINUED FROM PCT/ISA/ 210**

Continuation of Box II.2

Claims Nos.: 17-19

The present claims 17-19 are directed to a pressing tool defined only by a vague and unclear reference to the content of the description, drawings and integer or combination of integers therein disclosed.

Such a formulation leaves the reader in doubt having regard to the real extension of the protection afforded by the claims (Art. 6 PCT) to such an extent that no meaningful search was possible for these claims.

The applicant's attention is drawn to the fact that claims relating to inventions in respect of which no international search report has been established need not be the subject of an international preliminary examination (Rule 66.1(e) PCT). The applicant is advised that the EPO policy when acting as an International Preliminary Examining Authority is normally not to carry out a preliminary examination on matter which has not been searched. This is the case irrespective of whether or not the claims are amended following receipt of the search report or during any Chapter II procedure. If the application proceeds into the regional phase before the EPO, the applicant is reminded that a search may be carried out during examination before the EPO (see EPO Guideline C-VI, 8.2), should the problems which led to the Article 17(2)PCT declaration be overcome.

# INTERNATIONAL SEARCH REPORT

International application No.  
PCT/ZA2009/000026

## Box No. II Observations where certain claims were found unsearchable (Continuation of item 2 of first sheet)

This international search report has not been established in respect of certain claims under Article 17(2)(a) for the following reasons:

1.  Claims Nos.:  
because they relate to subject matter not required to be searched by this Authority, namely:
  
2.  Claims Nos.: 17-19  
because they relate to parts of the international application that do not comply with the prescribed requirements to such an extent that no meaningful international search can be carried out, specifically:  
see FURTHER INFORMATION sheet PCT/ISA/210
  
3.  Claims Nos.:  
because they are dependent claims and are not drafted in accordance with the second and third sentences of Rule 6.4(a).

## Box No. III Observations where unity of invention is lacking (Continuation of item 3 of first sheet)

This International Searching Authority found multiple inventions in this international application, as follows:

1.  As all required additional search fees were timely paid by the applicant, this international search report covers all searchable claims.
  
2.  As all searchable claims could be searched without effort justifying an additional fees, this Authority did not invite payment of additional fees.
  
3.  As only some of the required additional search fees were timely paid by the applicant; this international search report covers only those claims for which fees were paid, specifically claims Nos.:
  
4.  No required additional search fees were timely paid by the applicant. Consequently, this international search report is restricted to the invention first mentioned in the claims; it is covered by claims Nos.:

### Remark on Protest

- The additional search fees were accompanied by the applicant's protest and, where applicable, the payment of a protest fee.
- The additional search fees were accompanied by the applicant's protest but the applicable protest fee was not paid within the time limit specified in the invitation.
- No protest accompanied the payment of additional search fees.

# INTERNATIONAL SEARCH REPORT

Information on patent family members

International application No <b>PCT/ZA2009/000026</b>
--

Patent document cited in search report	Publication date	Publication date	Patent family member(s)	Publication date
DE 2117245	A1	28-10-1971	BE 765526 A1 LU 62956 A1	30-08-1971 26-08-1971
JP 2004337919	A	02-12-2004	NONE	
US 5878619	A	09-03-1999	NONE	
US 3474657	A	28-10-1969	NONE	
US 2007005176	A1	04-01-2007	JP 2006122959 A	18-05-2006