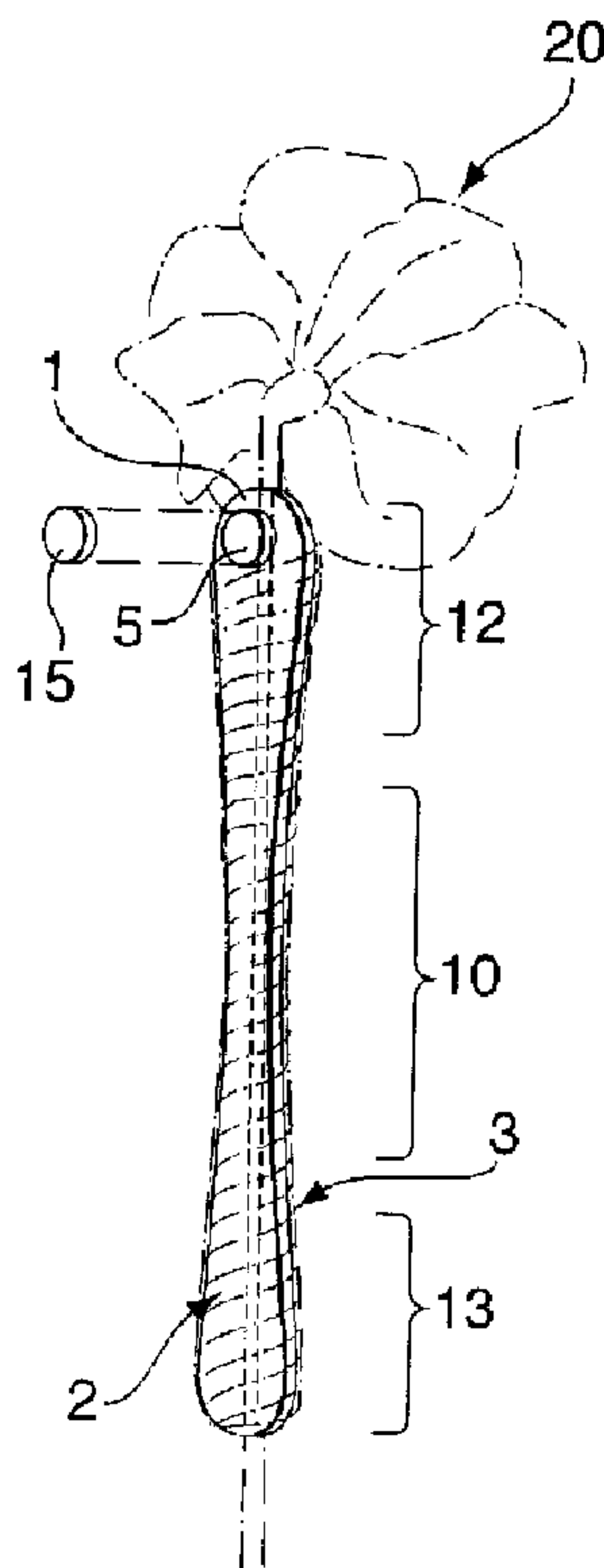




(22) Date de dépôt/Filing Date: 2005/09/16  
(41) Mise à la disp. pub./Open to Public Insp.: 2005/11/27  
(45) Date de délivrance/Issue Date: 2007/07/10

(51) Cl.Int./Int.Cl. *A45F 5/08* (2006.01),  
*A44C 1/00* (2006.01)  
(72) Inventeurs/Inventors:  
YOWNEY, NANCY ROSE, CA;  
ZELMAN, CHRISTINA LYNN, CA  
(73) Propriétaires/Owners:  
YOWNEY, NANCY ROSE, CA;  
ZELMAN, CHRISTINA LYNN, CA  
(74) Agent: RIDOUT & MAYBEE LLP

(54) Titre : ATTACHE DE FLEURS  
(54) Title: FLORAL ATTACHMENT DEVICE



(57) **Abrégé/Abstract:**

A boutonniere/corsage holder to secure a flower arrangement onto the surface of a piece of clothing, such as a lapel of a suit, is disclosed. The flower holder consists of a thin, elongated, flat body with opposing surfaces, a narrow central portion and widened end portions. The body is adapted to securely receive at the narrow central or entire portion, flower stem wrapping tape for securing the stem or stems of the flower arrangement to one of the surfaces of the body. An anchoring magnet is secured to the opposite surface that receives the flower arrangement, at one of the end portions of the body. A securing magnet is used to secure the body to the piece of clothing using the magnetic attractive force between the anchoring magnet and the securing magnet. The magnetic attractive force is sufficient to secure the flower holder and a flower arrangement to the surface while still allowing the user to remove flower arrangement and flower holder without difficulty.

**ABSTRACT OF THE DISCLOSURE**

A boutonniere/corsage holder to secure a flower arrangement onto the surface of a piece of clothing, such as a lapel of a suit, is disclosed. The flower holder consists of a thin, elongated, flat body with opposing surfaces, a narrow central portion and widened end portions. The body is adapted to securely receive at the narrow central or entire portion, flower stem wrapping tape for securing the stem or stems of the flower arrangement to one of the surfaces of the body. An anchoring magnet is secured to the opposite surface that receives the flower arrangement, at one of the end portions of the body. A securing magnet is used to secure the body to the piece of clothing using the magnetic attractive force between the anchoring magnet and the securing magnet. The magnetic attractive force is sufficient to secure the flower holder and a flower arrangement to the surface while still allowing the user to remove flower arrangement and flower holder without difficulty.

**TITLE OF THE INVENTION****FLORAL ATTACHMENT DEVICE****FIELD OF THE INVENTION**

The present invention relates to floral attachment devices, in particular devices used to secure boutonnieres or corsages to the outside of a surface  
5 without the use of pins.

**BACKGROUND OF THE INVENTION**

Flowers and other ornaments have been used to personalize a person's dress and are a customary clothing adornment for certain special occasions, such  
10 as weddings, graduations, dances and the like.

Traditionally, the flower arrangement is secured to the outer surface of the clothing using standard straight pins that are threaded through the clothing and through the stem of the flower arrangement. Over time, the wearer's clothing is damaged by the weight of the flower arrangement pulling the pin or pins  
15 downward and thus deforming or stretching the threads that support the pins. Further, the pins may prick the wearer when the flower arrangement is being applied or prick someone who tries to touch the arrangement. In some cases, clips have been substituted for pins, but the clips crush and abrade the wearer's clothes.

20 Magnets have been used to secure the flower arrangement to clothing without the use of pins. Typically, a magnet is secured to the stems of the flowers using tape, glue or ribbon. A second magnet is then positioned on the interior of the clothing to secure the flower arrangement to the outer surface of the clothing. Positioning the magnet on the stems of the flower arrangement is  
25 cumbersome and it is difficult to position the magnet so that the flower arrangement sits properly on the surface of the clothing while allowing the two magnets to be in sufficient proximity to hold the flower arrangement in place.

Some magnets have been fitted with wire arms that wrap around the stems of the flowers to provide additional support and make it easier to position and attach the magnet to the stems of the flower arrangement. Generally, the wire arms are thin, so that they are easily wrapped around the stems and do not interfere with the aesthetics of the flower arrangement. However, the wire arms do not restrict the rotation of the magnet around the axis of the stems of the flower arrangement and thus the flower can move out of position when being worn. Further, the wire arms do not provide sufficient support on which to build the flower arrangement. Florists also find this time consuming to use, therefore having to charge the consumer more.

There are some known magnetic flower holders. US Patent No. 5,682,648, issued in the name of Miller on November 4, 1977, teaches a metal V-shaped cradle with metal arms to hold the flower arrangement in place. As the arms hold the flower arrangement in place by pinning the stems against the back of the cradle, the arms lie across the front of the flower arrangement and are visible from the front, and thus interferes with the aesthetics of the flower arrangement.

Another magnetic flower holder, FLORMAG™, is a metal T-shaped holder on which the flower arrangement is built and affixed using flower stem wrapping tape or the like. A rectangular body having a magnet attached to either end of the body is positioned behind the horizontal portion of the T-shaped holder to secure the flower arrangement to the wearer's clothing. The horizontal portion of the T-shaped holder projects beyond the central vertical axis of the stems of a flower arrangement, necessitating the incorporation of additional elements to a flower arrangement to hide the horizontal portion. Further, the vertical portion is rectangular and thus the flower arrangement can slip off the magnetic flower holder if glue or tape is not used to attach the flower arrangement.

### **SUMMARY OF THE INVENTION**

An object of the invention is to provide an improved flower holder to secure a flower arrangement to a site such as a piece of clothing.

According to one aspect of the invention, there is provided a thin, elongated, flat body with opposing surfaces. The body has a narrow central portion and widened end portions. The body is adapted to securely receive at the narrow central or entire portion, flower stem wrapping tape for securing the stem or stems of the flower arrangement to one of the surfaces of the body. An anchoring magnet is secured to the other surface, at one of the end portions of the body. The body is secured to a site by the magnetic attractive forces between the securing magnet and the anchoring magnet. The magnetic attractive forces between the anchoring magnet and the securing magnet releasably secure the holder to the site when a flower arrangement is secured to the flower holder.

An advantage of the present invention is that a flower arrangement can be securely attached to the body by tying or taping the stem or stems of the flower arrangement along the narrow central or entire portion of the body. The narrow central portion prevents the tape or other tying material from becoming dislodged and also assists in more securely holding the stem or stems securely on the body surface. Using this device does not increase the time it takes the florist to build a boutonniere or corsage.

Another advantage of the present invention is that its thin, linear shape can easily be hidden behind the stem portion of the flower arrangement, and it does not require horizontal elements to be added to the flower arrangement to hide the presence of the holder.

Another advantage of the present invention is the construction of the flower holder so that the flower arrangement and the flower holder do not rotate out of position when worn on a piece of clothing. The device provides a foundation for florists to work with.

The holder may be produced as a disposable or re-usable item, and is an affordable item for the end-user and is a more efficient, time-saving product for the florist to use.

While the invention will be described in conjunction with illustrated embodiments, it will be understood that it is not intended to limit the invention to such embodiments. On the contrary, it is intended to cover all alternatives, modifications and equivalents as may be included within the spirit and scope of the invention as defined by the present patent specification as a whole. For example, it is contemplated that the invention could be used to secure other ornamental objects used to adorn clothes that would be obvious to a person skilled in the art. Further, it will be understood that all dimensions and sizes described herein, both relative and absolute, may be varied within a broad range to provide a holder sized to the desired use. As well, materials described herein are merely intended to be illustrative and are subject to a range of alternatives.

### **BRIEF DESCRIPTION OF THE DRAWINGS**

These and other advantages of the invention will become apparent upon reading the following detailed description and upon referring to the drawings in which:

FIGURE 1 is a perspective view of the preferred embodiment of the flower holder of the present invention, a flower arrangement and stem wrapping tape illustrated in phantom; and

FIGURE 2 is a side view of the holder of Figure 1 secured to a piece of clothing.

The present invention will now be described by way of a non-limiting description of certain detailed embodiments.

### **DETAILED DESCRIPTION OF THE PREFERRED EMBODIMENTS**

In the following description, similar features in the drawings have been given identical reference numerals where appropriate. All dimensions described herein are intended solely to illustrate an embodiment. These dimensions are

not intended to limit the scope of the invention that may depart from these dimensions.

The preferred embodiment is illustrated and described in context of holding a flower arrangement. However, it is contemplated that this holder may  
5 be used to secure other ornamental objects of appropriate shape to the outside surface of clothing or the like.

Turning to Figure 1, there is illustrated a magnetic floral attachment device according to the present invention having a thin, elongated, flat body 1 with opposing surfaces 2 and 3, a narrow central portion 10 and widened upper  
10 and lower end portions 12 and 13, respectively. The body is adapted to receive wrapping material 30 for securing the stem or stems of the flower arrangement to the holder. An anchoring magnet of any appropriate size and strength 5 is secured to an upper end portion of the body 12, and a corresponding securing magnet of any appropriate size and strength 15, again is used to secure the  
15 flower arrangement and flower holder at a site, such as on a lapel of a suit or coat, by positioning the securing magnet on the opposite side of the suit fabric from the anchoring magnet 5.

The width of the narrow central portion 10 is narrower than either of the widened end portions of the body. In the preferred embodiment the narrow  
20 central portion 10 is 1/2 the width of either of the widened end portions of the body. However, it is contemplated that the width of the narrow central portion can be from 1/10 to 9/10 the width of either of the widened end portions of the body. In the illustrated preferred embodiment, there is a gradual reduction in the width of the body to result in an edge having a smooth curve leading to the  
25 narrow central portion of the body. Also, it is contemplated that the reduction of the width of the body can be more pronounced so that two notches are cut on opposite sides of a substantially rectangular body, to give the flower holder more of a dumbbell shape.

The body may be of any color or clear, made of a flexible or semi-rigid  
30 non-magnetic material, such as plastic, polymer, resin, glass, paper, wood,

cardboard, non-magnetic metal or any such similar substance that would be known to a person skilled in the art to be able to substantially retain the shape of the narrow center portion of the body 10 when the stem or stems of a flower arrangement are secured to it. The body is substantially flat to allow the holder 5 to sit closely to the surface. However, it is contemplated that the edges of the body may be slightly bent to facilitate securing the stems in position on one surface of the body 1.

Figure 2 illustrates a flower arrangement 20 secured in position to the body 1. The body 1 is secured to the stem of the flower arrangement 25 by means of floral stem wrapping tape 30 wrapped around the narrow central portion 10 or entire body 1 and the stems of the flowers 25. It is contemplated that the flower arrangement 20, alternatively, can be secured to the body 1 with a variety of substances, such as glue, ribbon, string, clips, staples or any other appropriate conventional attachment means. The flower 20 and the body 1 are 15 releasably secured, for example, to the exterior surface 40 of a lapel 35 of a suit, as illustrated, by means of the attraction of the securing magnet 15 placed on the inside of the lapel 35 to the anchoring magnet 5 of the body 1. In the preferred embodiment, the securing magnet 15 is positioned on the interior surface 45 of the piece of clothing 35 opposite the anchoring magnet 5.

20 As shown in Figures 1 and 2, because of the positioning of the anchoring magnets in the upper end portion 12 of the body 1 when the flower arrangement 20 is attached to the body 1, in most cases, the center of gravity of the combined holder and flower arrangement 20 will be below the anchoring magnet 5. This arrangement stabilizes the holder and flower arrangement when held in 25 position on the suit fabric.

The magnetic attractive forces between the anchoring magnet 5 and the securing magnet 15 are sufficient to firmly secure the flower arrangement to the lapel without damaging the surface. It is also contemplated that a plurality of magnets can be used in place of a single anchoring or a single securing magnet.

Although the present invention has been described by way of a detailed description in which various embodiments and aspects of the invention have been described, it will be seen by one skilled in the art that the full scope of this invention is not limited to the examples presented herein. For instance, body 1  
5 may be made of a magnetically attractive material, such as a magnetically attractive metal. In this case only the securing magnet 15, and not anchoring magnet 5, is required. The invention has a scope which is commensurate with the claims of this patent specification including any elements or aspects which would be seen to be equivalent to those set out in the accompanying claims.

**CLAIMS:**

1. A floral attachment device to secure a flower arrangement having a stem or stems in position at a site comprising:
  - a thin, elongated, flat body having opposing surfaces, a narrow central portion and widened upper and lower end portions, the body adapted to securely receive at the narrow central portion or entire length flower stem wrapping tape for securing the stem or stems of the flower arrangement to one of the surfaces of the body, said narrow central portion preventing the flower stem wrapping tape from becoming dislodged by slipping over said widened upper and lower end portions;
  - an anchoring magnet secured to the other surface, at the upper end portion of the body; and
  - a securing magnet,whereby, in use, the body and the flower arrangement are releasably held to the site by the magnetic attractive forces between the anchoring magnet and the securing magnet.
2. A device as claimed in claim 1 wherein the body is made of a flexible material.
3. A device as claimed in claim 2 wherein the body is plastic.
4. A device as claimed in claim 1 wherein the width of the narrow central portion of the body is approximately 1/2 the width of the widened end portions of the body.
5. A floral attachment device to secure a flower arrangement having a stem or stems in position at a site comprising:
  - a thin, elongated, flat body made from a magnetically attractive material, having opposing surfaces, a narrow central portion and

widened upper and lower end portions, the body adapted to securely receive at the narrow central portion or entire length flower stem wrapping tape for securing the stem or stems of the flower arrangement to one of the surfaces of the body, said narrow central portion preventing the flower stem wrapping tape from becoming dislodged by slipping over said widened upper and lower end portions; and

- a securing magnet,

whereby, in use, the body and the flower arrangement are releasably held to the site by the magnetic attractive forces between the body and the securing magnet.

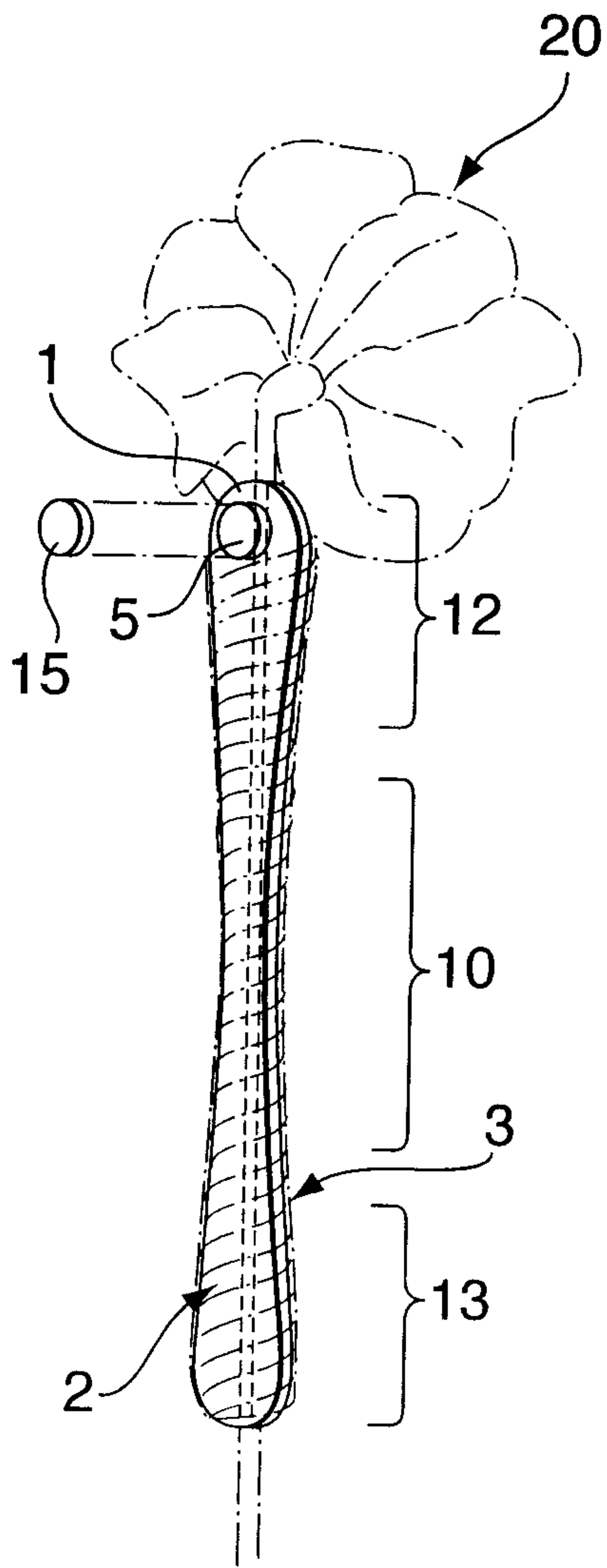
6. A floral attachment device to secure a flower arrangement having a stem or stems in position at a site comprising:

- a thin, elongated, flat body having opposing surfaces, a narrow central portion and widened upper and lower end portions;
- flower stem wrapping tape for securing the stem or stems of the flower arrangement to one of the surfaces of the body, the body adapted to securely receive the flower stem wrapping tape at the central portion or entire length of the body, said narrow central portion preventing the flower stem wrapping tape from becoming dislodged by slipping over said widened upper and lower end portions;
- an anchoring magnet secured to the other surface, at the upper end portion of the body; and
- a securing magnet,

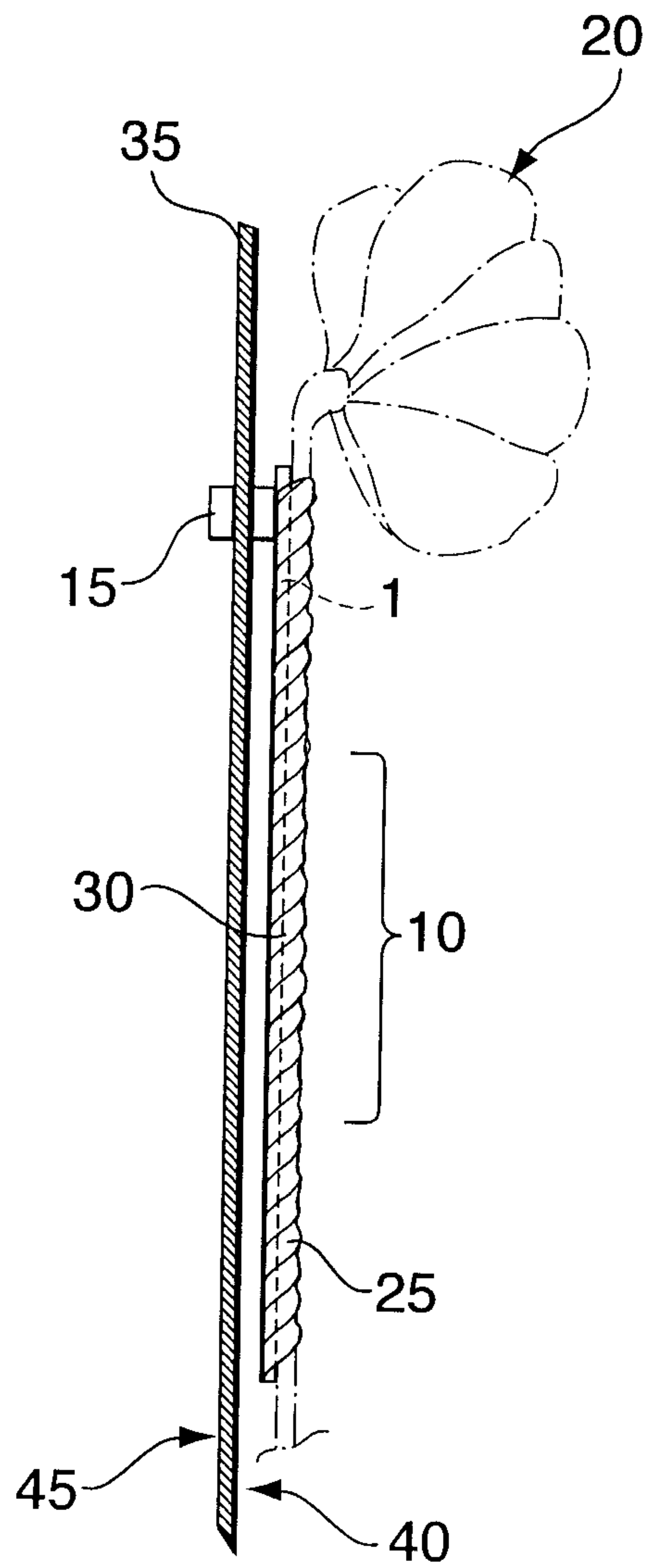
whereby, in use, the body and the flower arrangement are releasably held to the site by the magnetic attractive forces between the anchoring magnet and the securing magnet.

7. A device as claimed in claim 1 wherein the body is made of a flexible material.

8. A device as claimed in claim 2 wherein the body is plastic.
9. A device as claimed in claim 1 wherein the width of the narrow central portion of the body is approximately  $1/2$  the width of the widened end portions of the body.



**FIG. 1**



**FIG. 2**

