



US00D731790S

(12) **United States Design Patent**  
**Yabe**

(10) **Patent No.:** **US D731,790 S**

(45) **Date of Patent:** **\*\* Jun. 16, 2015**

(54) **TOOL CASE**

(71) Applicant: **FURUKAWA ELECTRIC CO., LTD.**,  
Tokyo (JP)

(72) Inventor: **Fumihiko Yabe**, Tokyo (JP)

(73) Assignee: **FURUKAWA ELECTRIC CO., LTD.**,  
Tokyo (JP)

(\*\*) Term: **14 Years**

(21) Appl. No.: **29/495,044**

(22) Filed: **Jun. 26, 2014**

(30) **Foreign Application Priority Data**

Dec. 26, 2013 (JP) ..... 2013-030652

(51) **LOC (10) Cl.** ..... **03-01**

(52) **U.S. Cl.**

USPC ..... **D3/282**; D3/264; D3/295

(58) **Field of Classification Search**

USPC ..... D3/280–288, 291–297, 900–905, 272,  
D3/273, 276, 302; D9/415, 424, 426;  
220/523–528, 23.4, 324, 326; 190/110,  
190/111, 112; 206/372–379, 349, 508

See application file for complete search history.

(56) **References Cited**

U.S. PATENT DOCUMENTS

D194,339 S \* 1/1963 Harty, Jr. .... D3/282  
D351,727 S \* 10/1994 Tarozzi ..... D3/276  
D372,796 S \* 8/1996 Ferris ..... D3/282

D409,836 S \* 5/1999 Brown et al. .... D3/282  
5,950,834 A \* 9/1999 Woodnorth et al. .... 206/541  
D429,975 S \* 8/2000 Marshall-Rees et al. .... D7/709  
D548,968 S \* 8/2007 Brown ..... D3/294  
D561,993 S \* 2/2008 Bum ..... D3/282  
D621,615 S \* 8/2010 Stern ..... D3/282  
D668,455 S \* 10/2012 Chang ..... D3/282

\* cited by examiner

*Primary Examiner* — Jennifer Rivard

*Assistant Examiner* — April Rivas

(74) *Attorney, Agent, or Firm* — Oblon, McClelland, Maier  
& Neustadt, L.L.P.

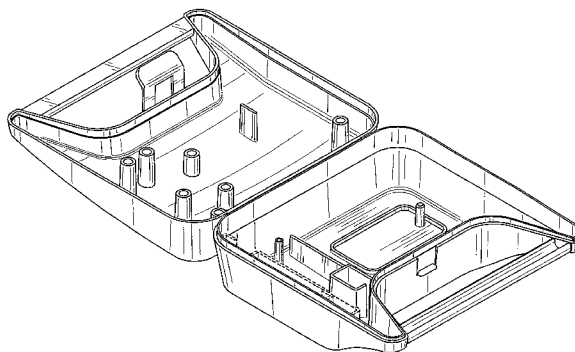
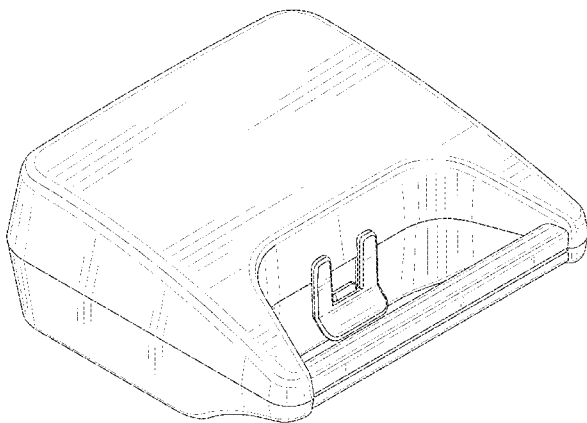
(57) **CLAIM**

The ornamental design for a tool case, as shown and  
described.

**DESCRIPTION**

FIG. 1 is a front, top, and left perspective view of a tool case;  
FIG. 2 is a top view thereof;  
FIG. 3 is a bottom view thereof;  
FIG. 4 is a front view thereof;  
FIG. 5 is a rear view thereof;  
FIG. 6 is a right side view thereof;  
FIG. 7 is a left side view thereof;  
FIG. 8 is a cross-section view thereof taken from line 8-8 of  
FIG. 2;  
FIG. 9 is a front, top, and left perspective view thereof in an  
open state; and,  
FIG. 10 is top view thereof in the open state.  
The broken lines illustrate portions of the tool case and form  
no part of the claimed design.

**1 Claim, 8 Drawing Sheets**



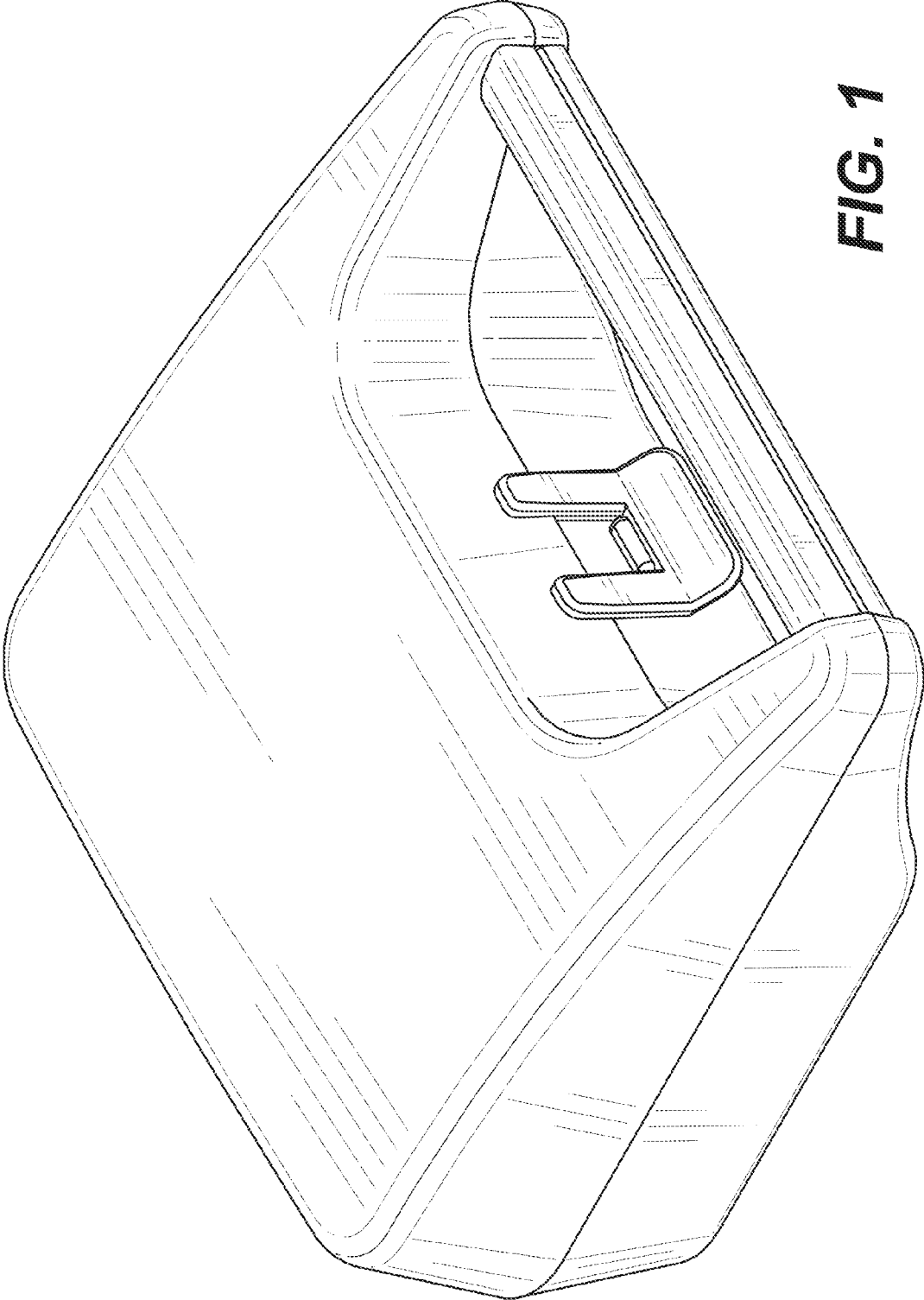


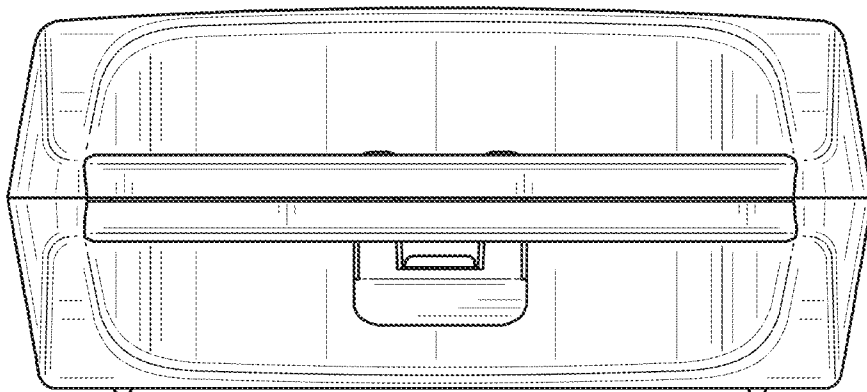
FIG. 1



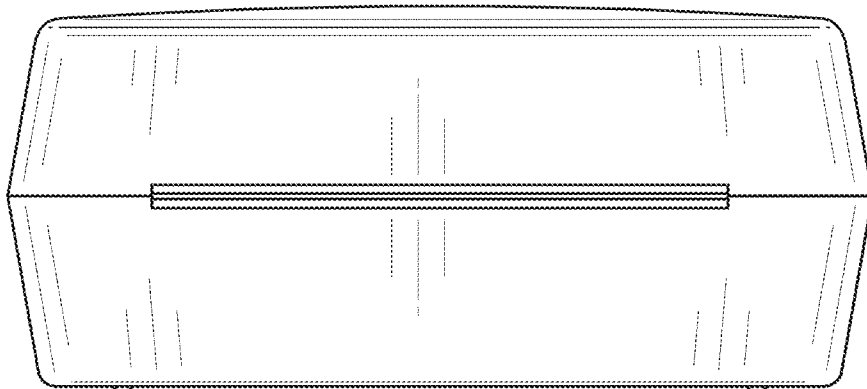
**FIG. 2**



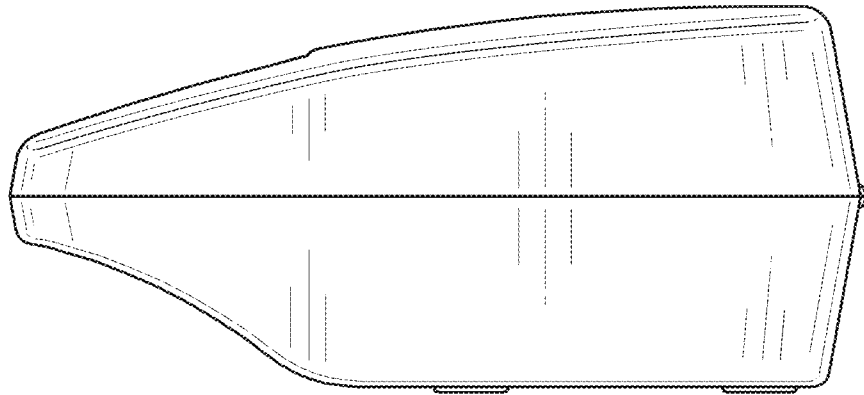
**FIG. 3**



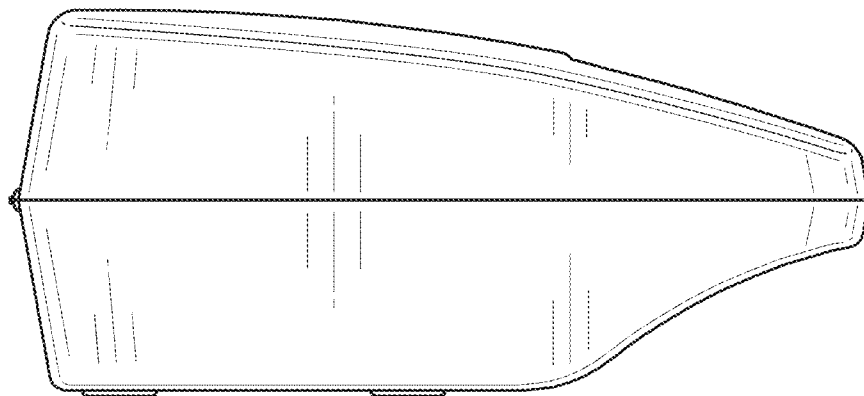
**FIG. 4**



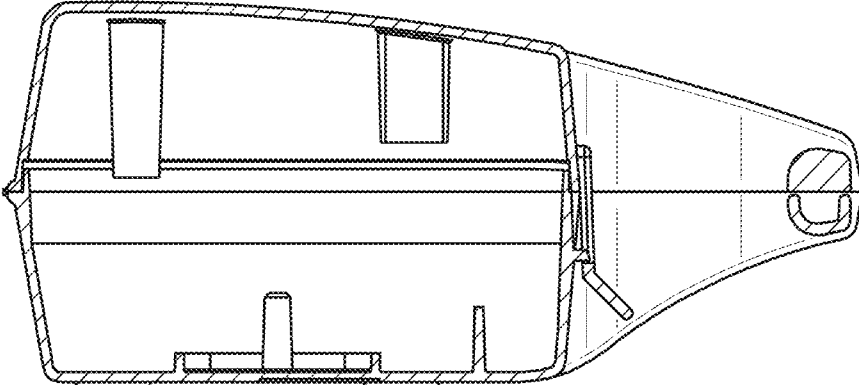
**FIG. 5**



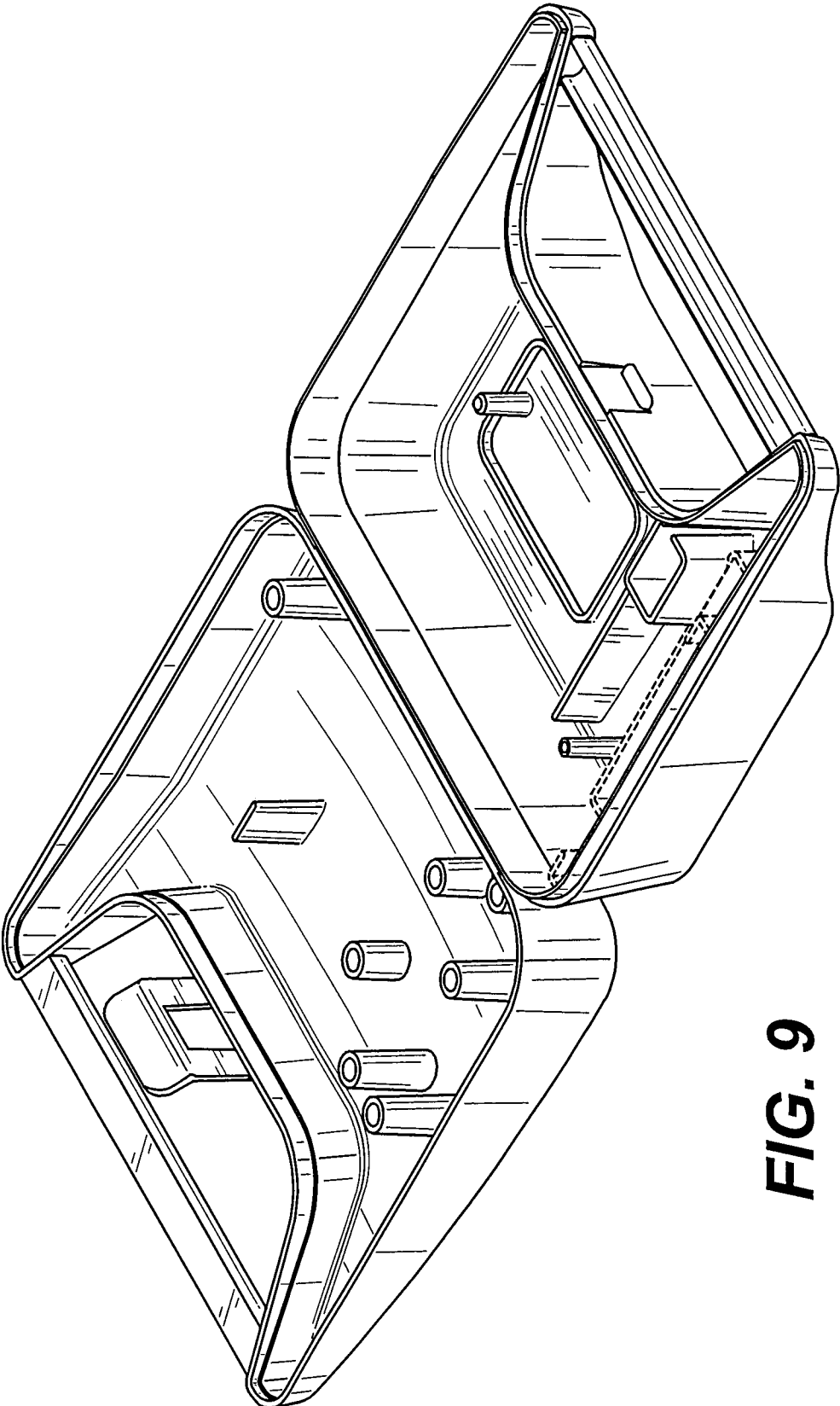
**FIG. 6**



**FIG. 7**

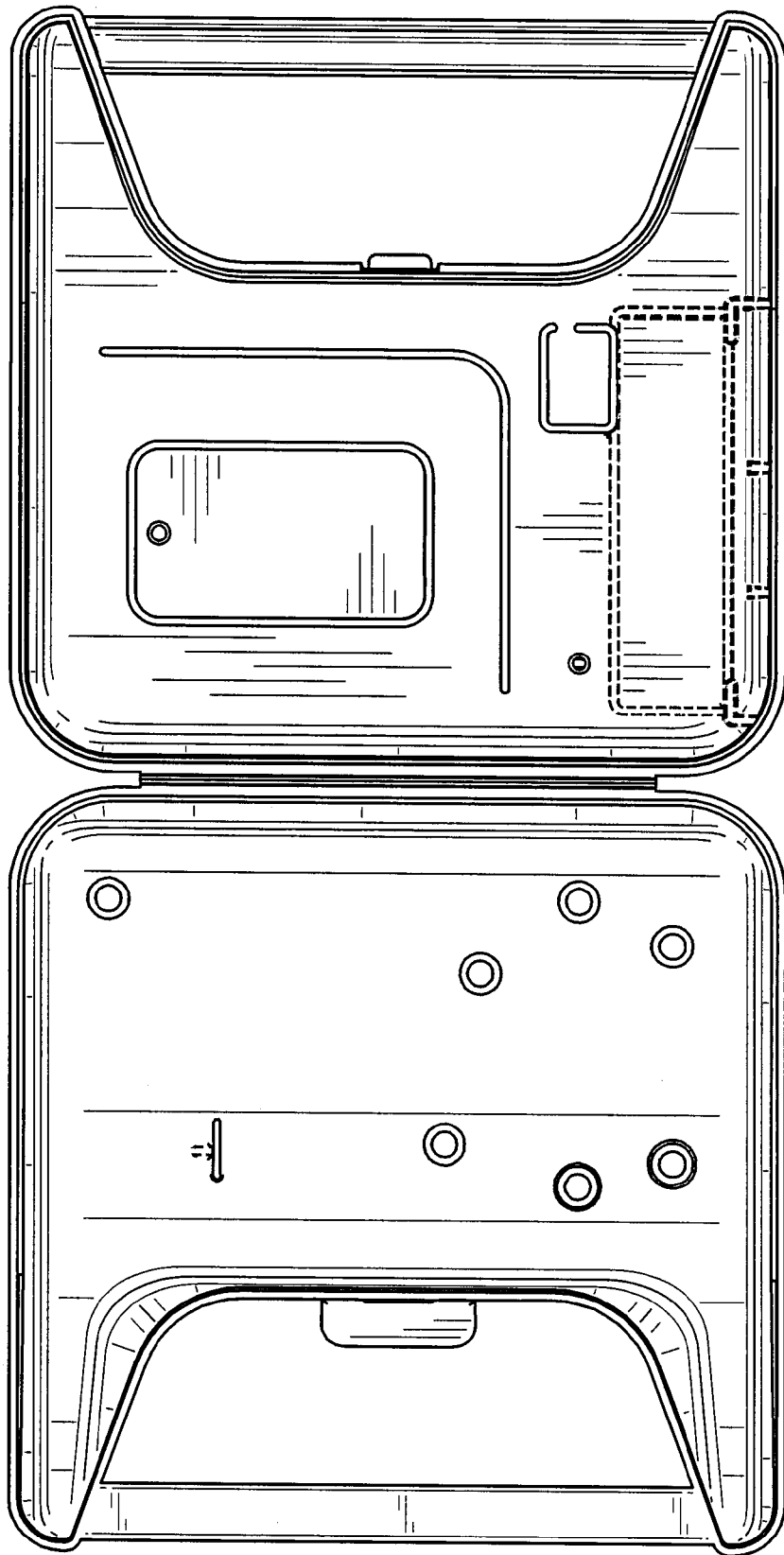


**FIG. 8**



**FIG. 9**





**FIG. 10**