



- (51) International Patent Classification:
E21B 33/038 (2006.01)
- (21) International Application Number:
PCT/US2012/072211
- (22) International Filing Date:
29 December 2012 (29.12.2012)
- (25) Filing Language: English
- (26) Publication Language: English
- (30) Priority Data:
13/344,843 6 January 2012 (06.01.2012) US
- (71) Applicant: CAMERON INTERNATIONAL CORPORATION [US/US]; 1333 West Loop South, Suite 1700, Houston, Texas 77027 (US).
- (72) Inventors: HART, Brian; Cooper Cameron (UK) Ltd, Queen Street, Stourton, Leeds Yorkshire LS10 1SB (GB). BERRY, Cameron J.; Cooper Cameron (UK) Ltd, Queen Street, Stourton, Leeds Yorkshire LS10 1SB (GB).
- (74) Agent: EUBANKS IV, L. Lee; Eubanks PLLC, 19500 State Highway 249, Suite 465, Houston, Texas 77070 (US).

- (81) Designated States (unless otherwise indicated, for every kind of national protection available): AE, AG, AL, AM, AO, AT, AU, AZ, BA, BB, BG, BH, BN, BR, BW, BY, BZ, CA, CH, CL, CN, CO, CR, CU, CZ, DE, DK, DM, DO, DZ, EC, EE, EG, ES, FI, GB, GD, GE, GH, GM, GT, HN, HR, HU, ID, IL, IN, IS, JP, KE, KG, KM, KN, KP, KR, KZ, LA, LC, LK, LR, LS, LT, LU, LY, MA, MD, ME, MG, MK, MN, MW, MX, MY, MZ, NA, NG, NI, NO, NZ, OM, PA, PE, PG, PH, PL, PT, QA, RO, RS, RU, RW, SC, SD, SE, SG, SK, SL, SM, ST, SV, SY, TH, TJ, TM, TN, TR, TT, TZ, UA, UG, US, UZ, VC, VN, ZA, ZM, ZW.
- (84) Designated States (unless otherwise indicated, for every kind of regional protection available): ARIPO (BW, GH, GM, KE, LR, LS, MW, MZ, NA, RW, SD, SL, SZ, TZ, UG, ZM, ZW), Eurasian (AM, AZ, BY, KG, KZ, RU, TJ, TM), European (AL, AT, BE, BG, CH, CY, CZ, DE, DK, EE, ES, FI, FR, GB, GR, HR, HU, IE, IS, IT, LT, LU, LV, MC, MK, MT, NL, NO, PL, PT, RO, RS, SE, SI, SK, SM, TR), OAPI (BF, BJ, CF, CG, CI, CM, GA, GN, GQ, GW, ML, MR, NE, SN, TD, TG).

Declarations under Rule 4.17:

- as to applicant's entitlement to apply for and be granted a patent (Rule 4.17(ii))

[Continued on next page]

(54) Title: SEALING MECHANISM FOR SUBSEA CAPPING SYSTEM

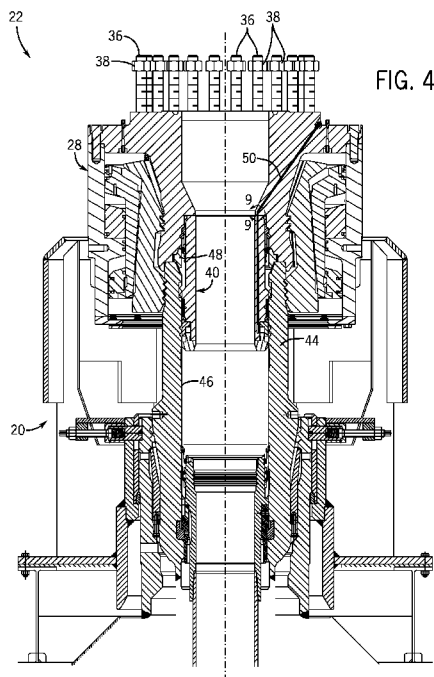


FIG. 4

(57) Abstract: A sealing mechanism is provided. In one embodiment, a system includes an isolation sleeve (40) configured to be retained by a connector (28). The isolation sleeve may include a seal (68) and a hydraulically actuated piston (70) disposed adjacent one another about a body (54) of the isolation sleeve such that actuation of the piston engages the seal. Additional systems, devices, and methods are also disclosed.



- *as to the applicant's entitlement to claim the priority of the earlier application (Rule 4.17(iii))* (88) **Date of publication of the international search report:**
21 May 2015

Published:

- *with international search report (Art. 21(3))*

INTERNATIONAL SEARCH REPORT

International application No. PCT/US2012/072211
--

A. CLASSIFICATION OF SUBJECT MATTER
 IPC(8) - E21B 33/038 (2013.01)
 USPC - 285/123.9
 According to International Patent Classification (IPC) or to both national classification and IPC

B. FIELDS SEARCHED

Minimum documentation searched (classification system followed by classification symbols)
 IPC(8) - E21B 33/038, 33/06, 34/06 (2013.01)
 USPC - 166/75.13, 122, 323, 356, 363, 368, 381, 387; 175/318, 423; 251/1.1; 277/308, 324, 325; 285/123.11, 123.12, 123.9, 332

Documentation searched other than minimum documentation to the extent that such documents are included in the fields searched
 CPC - E21B 34/04, 34/045 (2013.01)

Electronic data base consulted during the international search (name of data base and, where practicable, search terms used)
 PatBase, Google Patents

C. DOCUMENTS CONSIDERED TO BE RELEVANT

Category*	Citation of document, with indication, where appropriate, of the relevant passages	Relevant to claim No.
X	US 6,554,324 B1 (HERMAN) 29 April 2003 (29.04.2003) entire document	1, 8, 12, 15
---		-----
Y		2-7, 9-11, 13-14
Y	US 2002/0121380 A1 (DOANE et al) 05 September 2002 (05.09.2002) entire document	2-4, 9-10
Y	US 5,860,478 A (COUTTS et al) 19 January 1999 (19.01.1999) entire document	3-7, 13
Y	US 2004/0251031 A1 (REIMERT) 16 December 2004 (16.12.2004) entire document	10
Y	US 2010/0300705 A1 (NELSON) 02 December 2010 (02.12.2010) entire document	11, 14

Further documents are listed in the continuation of Box C.

* Special categories of cited documents:	"T" later document published after the international filing date or priority date and not in conflict with the application but cited to understand the principle or theory underlying the invention
"A" document defining the general state of the art which is not considered to be of particular relevance	"X" document of particular relevance; the claimed invention cannot be considered novel or cannot be considered to involve an inventive step when the document is taken alone
"E" earlier application or patent but published on or after the international filing date	"Y" document of particular relevance; the claimed invention cannot be considered to involve an inventive step when the document is combined with one or more other such documents, such combination being obvious to a person skilled in the art
"L" document which may throw doubts on priority claim(s) or which is cited to establish the publication date of another citation or other special reason (as specified)	"&" document member of the same patent family
"O" document referring to an oral disclosure, use, exhibition or other means	
"P" document published prior to the international filing date but later than the priority date claimed	

Date of the actual completion of the international search 13 February 2013	Date of mailing of the international search report 01 MAR 2013
---	--

Name and mailing address of the ISA/US Mail Stop PCT, Attn: ISA/US, Commissioner for Patents P.O. Box 1450, Alexandria, Virginia 22313-1450 Facsimile No. 571-273-3201	Authorized officer: Blaine R. Copenheaver PCT Helpdesk: 571-272-4300 PCT OSP: 571-272-7774
---	---