



US00D855243S

(12) **United States Design Patent**
Yu et al.

(10) **Patent No.:** **US D855,243 S**

(45) **Date of Patent:** **** Jul. 30, 2019**

(54) **PARALLELOGRAM LIGHT BAR FIXTURE**

(71) Applicants: **Scott S Yu**, Tiburon, CA (US); **Rick Wong**, Sonoma, CA (US)

(72) Inventors: **Scott S Yu**, Tiburon, CA (US); **Rick Wong**, Sonoma, CA (US)

(73) Assignee: **VODE LIGHTING, LLC**, Sonoma, CA (US)

(**) Term: **15 Years**

(21) Appl. No.: **29/603,298**

(22) Filed: **May 8, 2017**

(51) **LOC (11) Cl.** **26-03**

(52) **U.S. Cl.** **D26/107**

(58) **Field of Classification Search**
USPC D26/1, 24, 63, 65, 93, 104, 106, 107, D26/109, 110
CPC F21S 6/00; F21S 6/043; F21S 8/08; F21V 21/00; F21V 21/02; F21W 2121/00; F21W 2131/30
See application file for complete search history.

(56) **References Cited**

U.S. PATENT DOCUMENTS

D690,044 S * 9/2013 Ng D26/65
D726,361 S * 4/2015 Rischau D26/107

D731,108 S * 6/2015 Ng D26/107
D744,154 S * 11/2015 Ng D26/107
D804,071 S * 11/2017 Xu D26/63
D824,082 S * 7/2018 Brennenstuhl D26/107
D832,488 S * 10/2018 Yu D26/107

* cited by examiner

Primary Examiner — Brian N. Vinson

(74) *Attorney, Agent, or Firm* — Peter Tormey; Antero, Tormey & Petrin, PC

(57) **CLAIM**

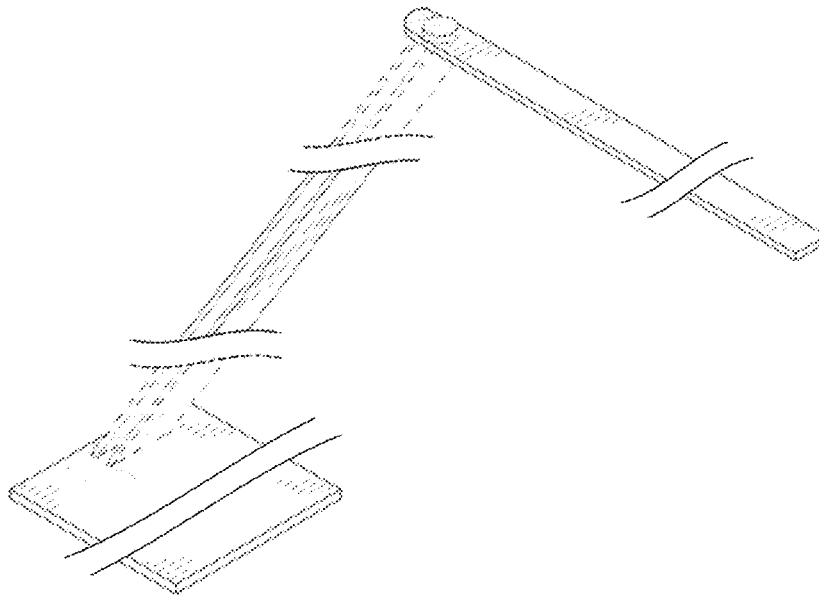
We claim the ornamental design for a parallelogram light bar fixture, as shown and described.

DESCRIPTION

FIG. 1 is a top perspective view of a parallelogram light bar fixture, showing the new design;
FIG. 2 is a right side view thereof;
FIG. 3 is a left side view thereof;
FIG. 4 is a top view thereof;
FIG. 5 is a bottom view thereof;
FIG. 6 is a front view thereof; and
FIG. 7 is a back view thereof.

The broken line disclosure represents portions of the fixture which form no part of the claimed design. No claim is made to the areas between breaks lines shown.

1 Claim, 6 Drawing Sheets



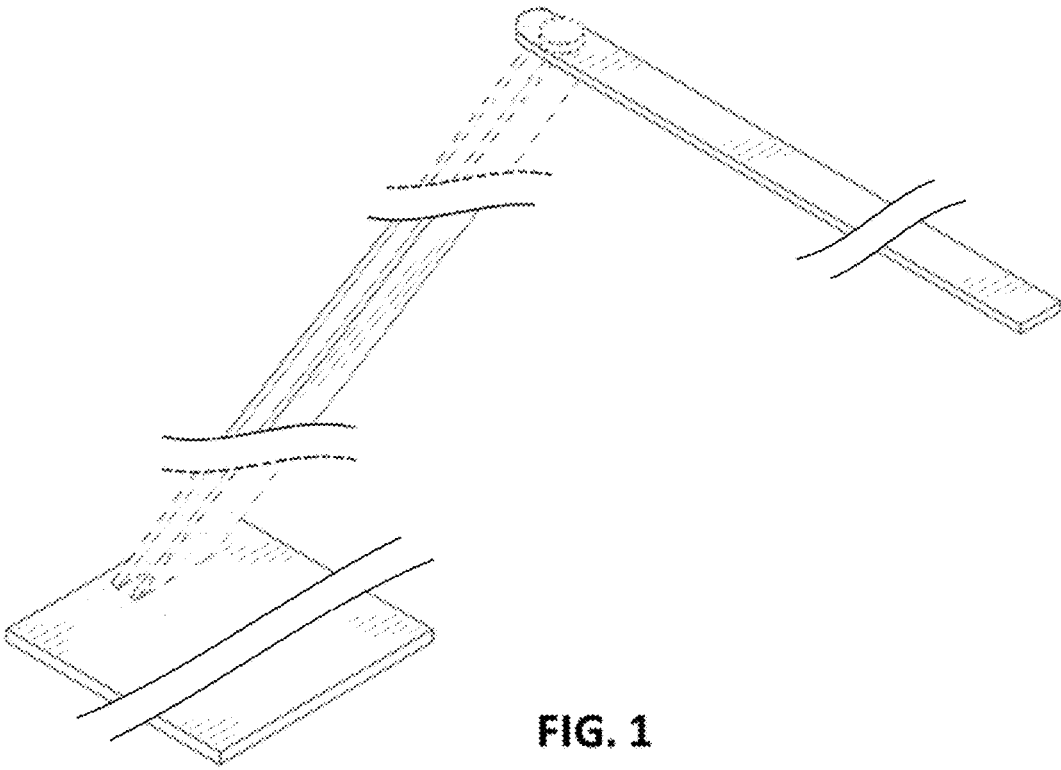


FIG. 1

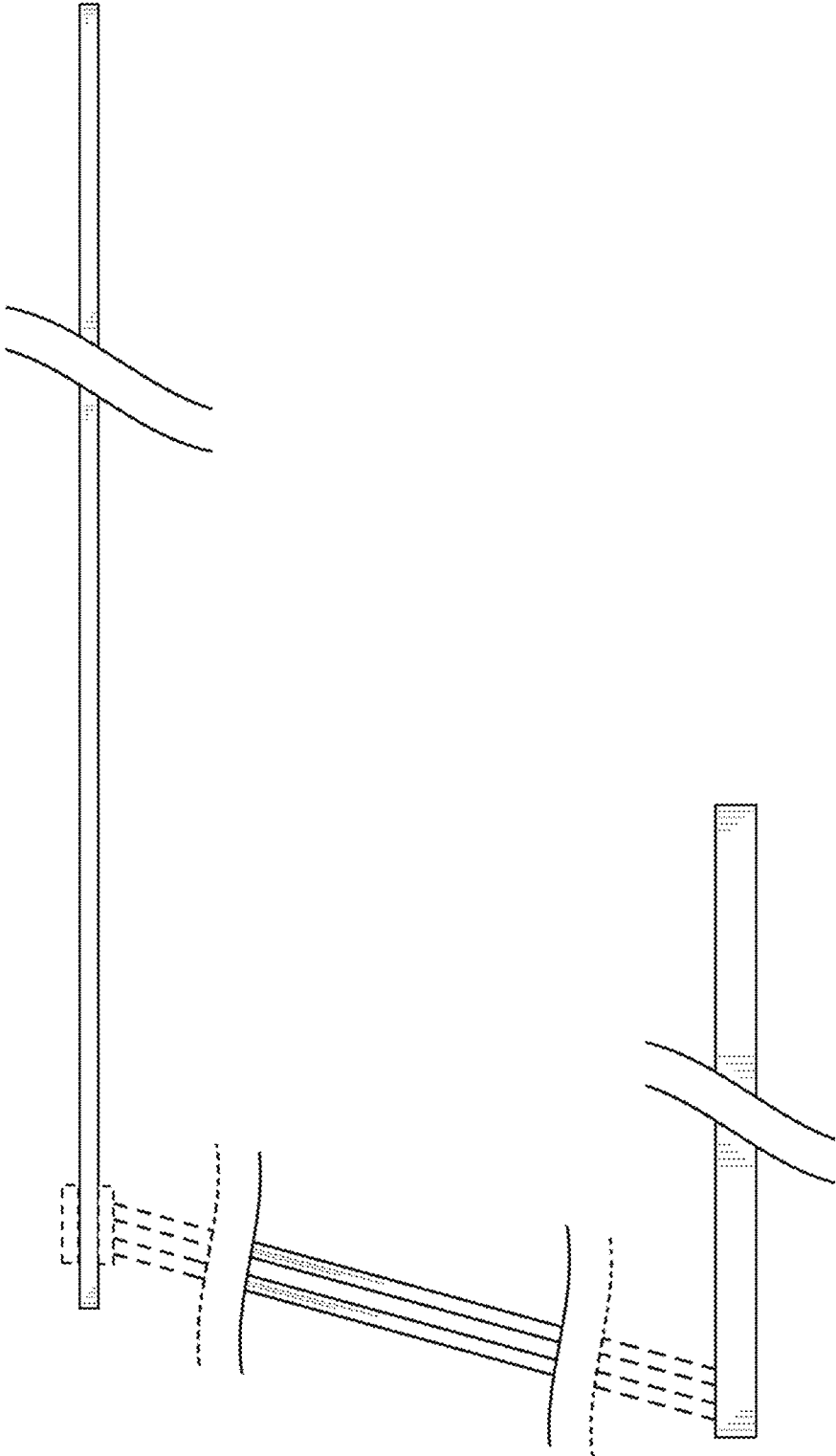


FIG. 2

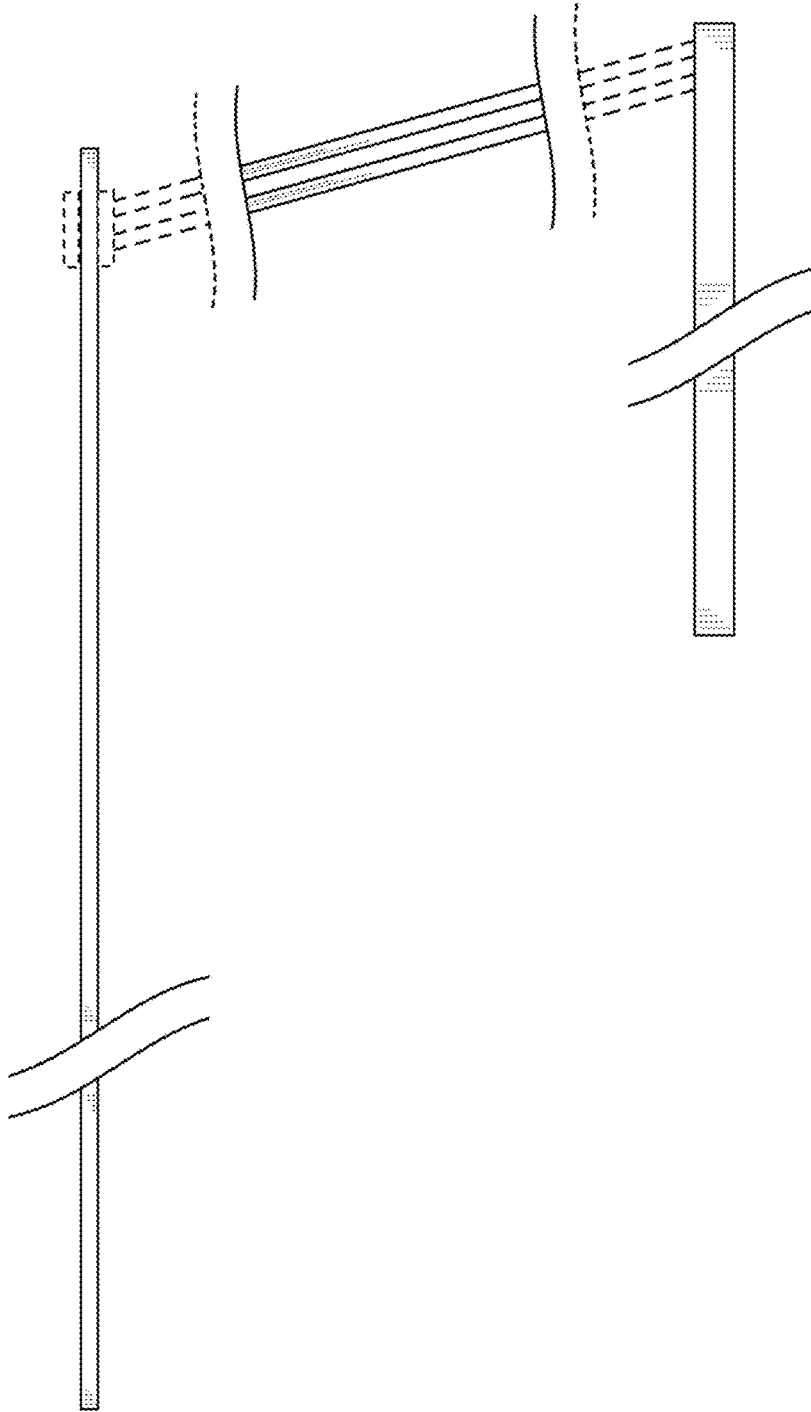


FIG. 3

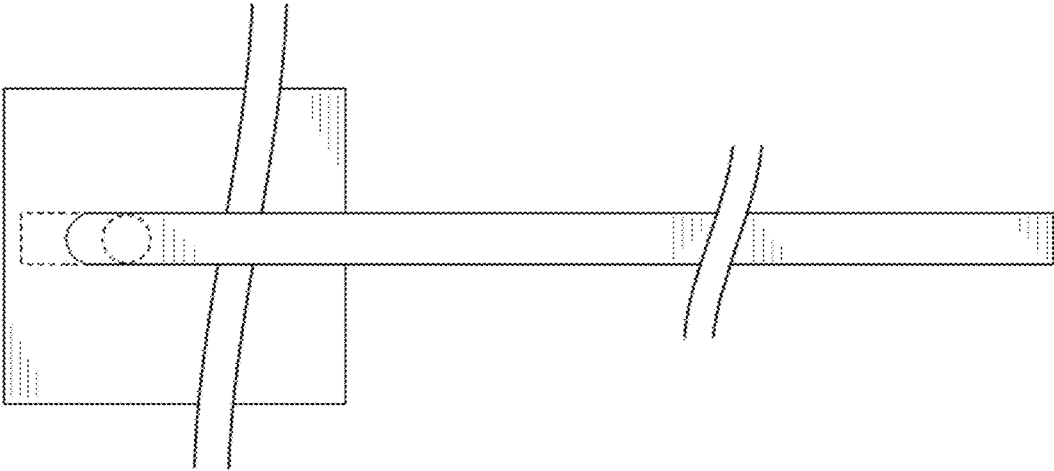


FIG. 4

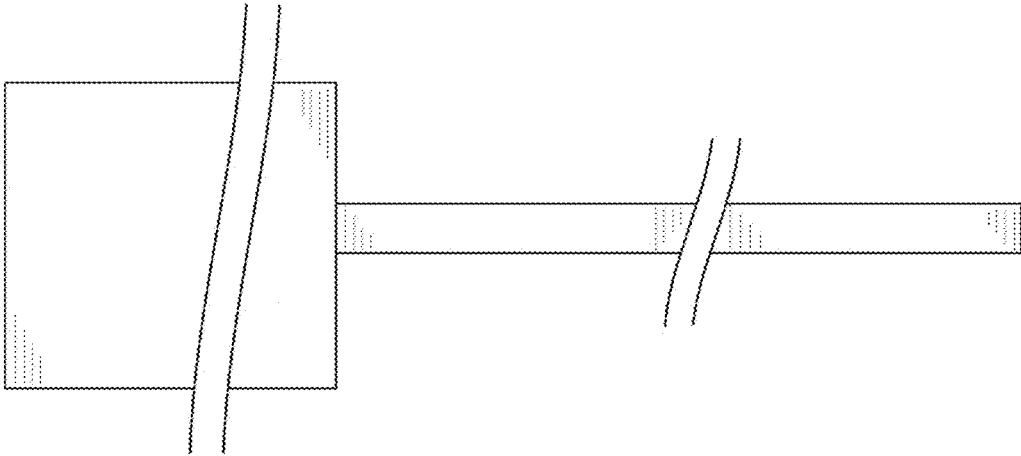


FIG. 5

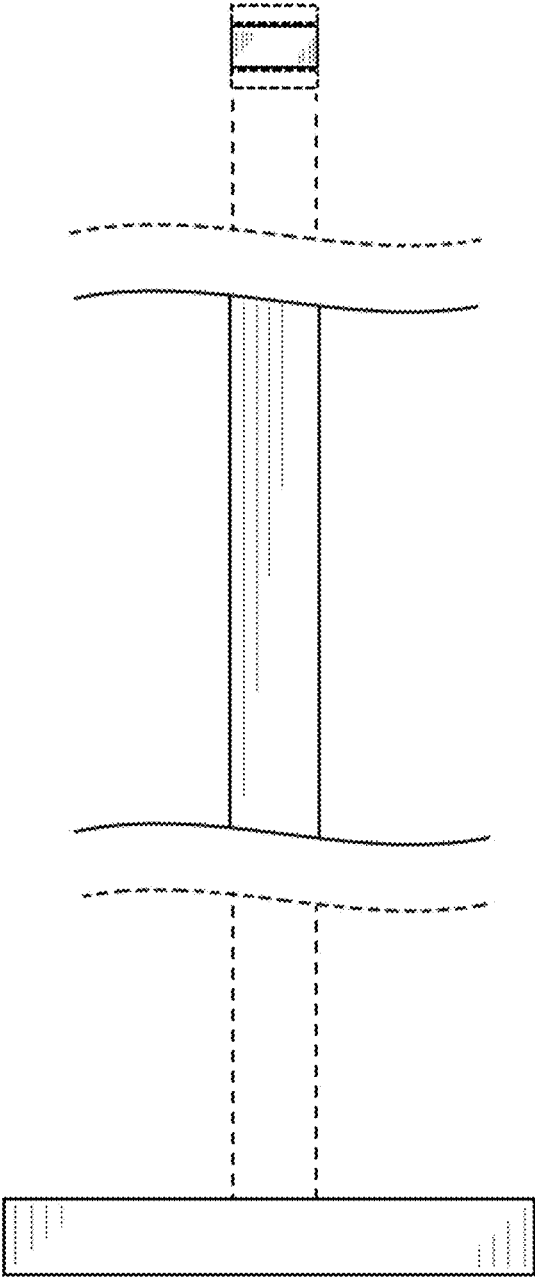


FIG. 6

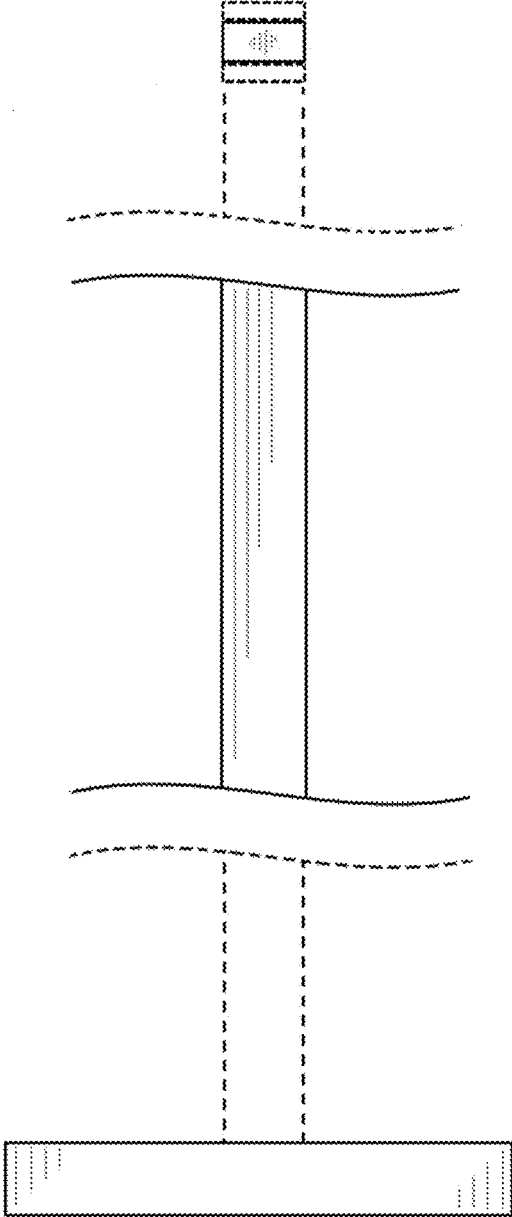


FIG. 7