



US00D614249S

(12) **United States Design Patent**
Pedersen

(10) **Patent No.:** **US D614,249 S**

(45) **Date of Patent:** **** Apr. 20, 2010**

(54) **CUBICAL BUILDING ELEMENT**

(75) Inventor: **Ditte Bruun Pedersen**, Billund (DK)

(73) Assignee: **Lego A/S**, Billund (DK)

(**) Term: **14 Years**

(21) Appl. No.: **29/346,299**

(22) Filed: **Oct. 29, 2009**

Related U.S. Application Data

(62) Division of application No. 29/313,577, filed on Jan. 23, 2009.

Foreign Application Priority Data

(30) Nov. 10, 2008 (EM) 001036362

(51) **LOC (9) Cl.** **21-01**

(52) **U.S. Cl.** **D21/499**

(58) **Field of Classification Search** D21/372,
D21/373, 386, 484, 485, 486, 489, 491, 494,
D21/499, 500, 503, 504, 516; D25/113,
D25/114, 115, 116, 118; 446/69, 85, 102-128;
434/208, 258, 259, 319, 403; 273/153, 156,
273/160; D9/520

See application file for complete search history.

(56) **References Cited**

U.S. PATENT DOCUMENTS

- 3,374,917 A * 3/1968 Troy 446/125
- 3,389,493 A * 6/1968 Zysset 446/124
- D224,287 S * 7/1972 Coster D9/520
- D255,473 S * 6/1980 Chase et al. D21/499
- D272,167 S * 1/1984 Chatani et al. D21/499
- D283,635 S * 4/1986 Kato et al. D21/499
- D286,417 S * 10/1986 Takahashi D21/500

- 4,678,192 A * 7/1987 Campbell 446/124
- D296,342 S * 6/1988 Knudsen D21/499
- 5,000,713 A * 3/1991 Cheng 446/120
- D343,427 S * 1/1994 Sher D21/499
- D351,425 S * 10/1994 Seiler D21/337
- D359,315 S * 6/1995 Tacey D21/499
- D359,523 S * 6/1995 Yeung D21/501
- 5,458,522 A * 10/1995 Brooks, III 446/85
- D368,939 S * 4/1996 Frederiksen D21/500
- 5,620,325 A * 4/1997 Glick 434/258
- D399,542 S * 10/1998 Deutsch D21/484
- 5,833,465 A * 11/1998 Jarzewiak 446/125
- D413,636 S * 9/1999 Laserna Fernandez D21/499
- D422,036 S * 3/2000 Laserna Fernandez D21/499
- D433,465 S * 11/2000 Dunn et al. D21/516
- D437,366 S * 2/2001 Stemmler D21/499
- 6,366,758 B1 * 4/2002 Dunn et al. 434/319
- D464,682 S * 10/2002 Lin D21/499
- D480,437 S * 10/2003 Stoneberg D21/499
- 6,679,780 B1 * 1/2004 Shih 446/125
- D509,858 S * 9/2005 May et al. D21/499
- D512,108 S * 11/2005 Lin D21/499
- 7,322,873 B2 * 1/2008 Rosen et al. 446/91

* cited by examiner

Primary Examiner—Philip S Hyder
Assistant Examiner—Cynthia M Chin
(74) *Attorney, Agent, or Firm*—Day Pitney LLP

(57) **CLAIM**

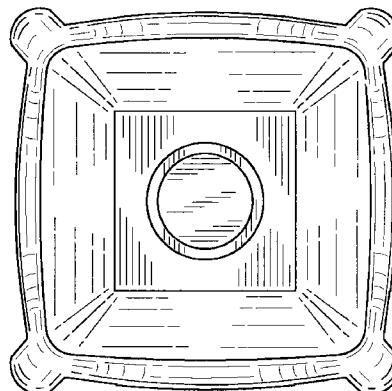
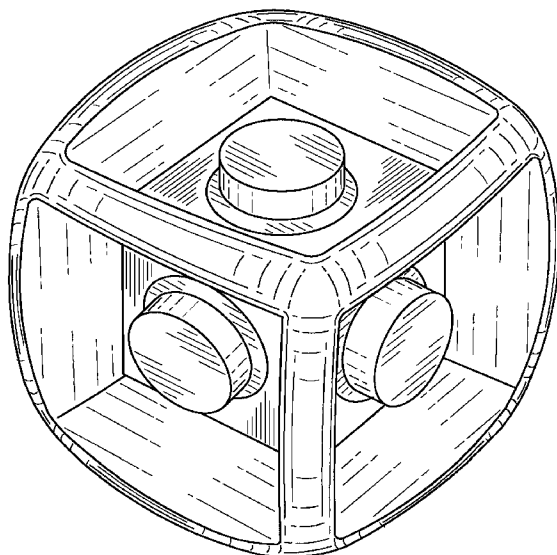
The ornamental design for a cubical building element, as shown and described.

DESCRIPTION

FIG. 1 is a perspective view of my cubical building element design; and,

FIG. 2 is a plan view of a face of the cubical building element, the remaining five faces being identical.

1 Claim, 2 Drawing Sheets



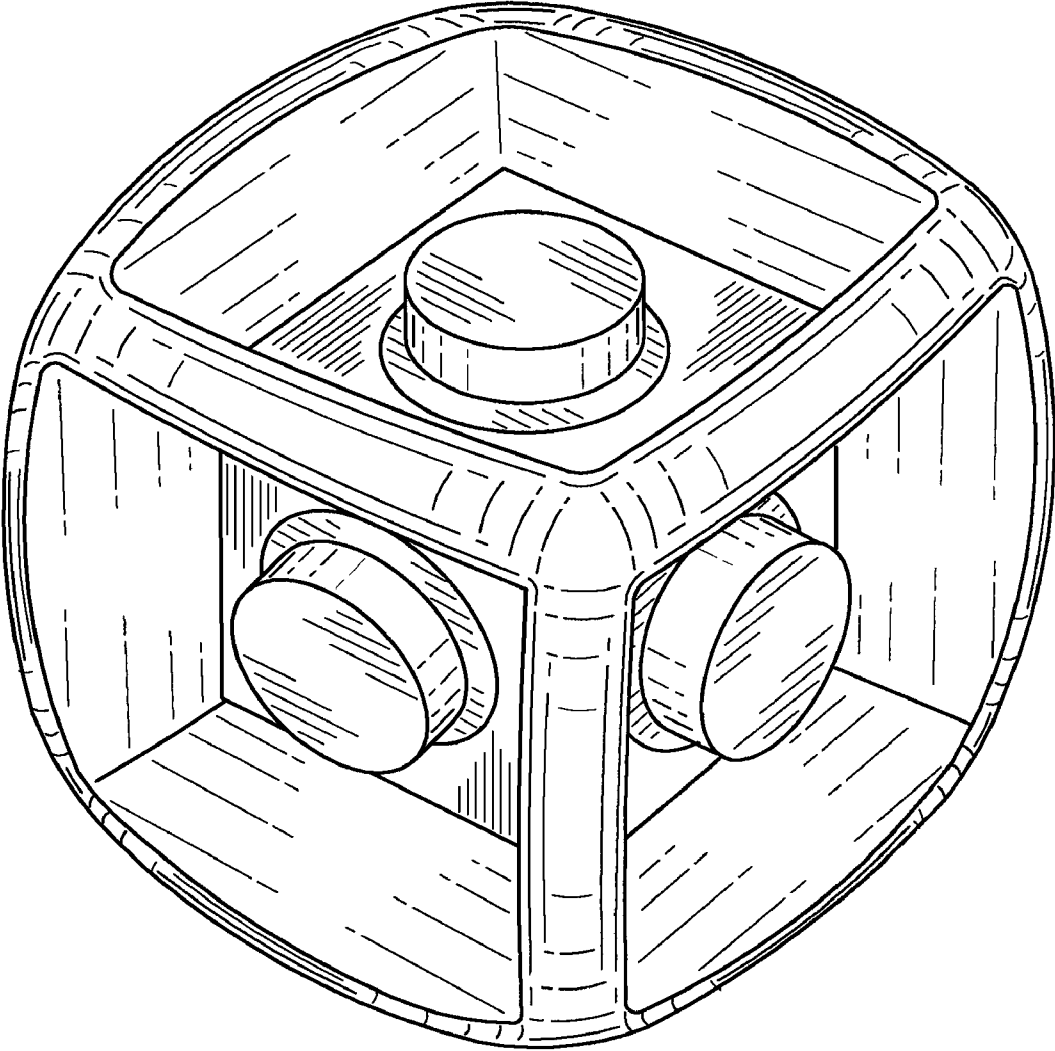


FIG. 1

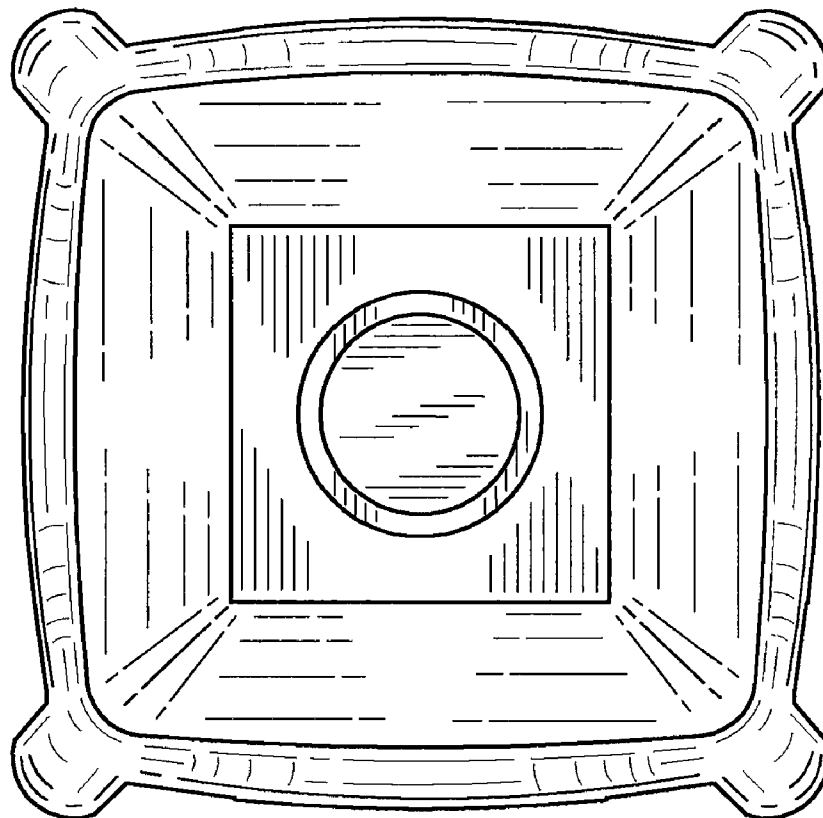


FIG. 2