



US00D348932S

# United States Patent [19]

[11] Patent Number: Des. 348,932

Jackson

[45] Date of Patent: \*\* Jul. 19, 1994

[54] **COMBINED BITE BLOCK AND CUSPS**  
 [75] Inventor: **Frank W. Jackson**, Mechanicsburg, Pa.  
 [73] Assignee: **Chek-Med Systems, Inc.**, Wormleysburg, Pa.  
 [\*\*] Term: **14 Years**  
 [21] Appl. No.: **1,724**

4,466,434 8/1984 Brownstein ..... 128/207  
 4,495,945 1/1985 Liegner ..... 128/200.26  
 4,640,273 2/1987 Greene et al. .... 128/136  
 4,676,240 6/1987 Gardy ..... 128/207  
 4,817,598 4/1989 LaBombard ..... 128/207.14  
 4,850,371 7/1989 Broadhurst et al. .... 128/719  
 5,062,422 11/1991 Kinkade ..... 128/200.26 X  
 5,174,284 12/1992 Jackson ..... 128/200.26

[22] Filed: **Nov. 23, 1992**  
 [52] U.S. Cl. .... **D24/176; D24/191**  
 [58] Field of Search ..... 128/200.26, 200.24, 128/848, 207.14; 433/140, 229, 93; D24/176-182

### FOREIGN PATENT DOCUMENTS

9003199 4/1990 PCT Int'l Appl. .... 128/200.26

*Primary Examiner*—Wallace R. Burke  
*Assistant Examiner*—M. H. Tung  
*Attorney, Agent, or Firm*—Eugene Chovanes

### [56] References Cited

#### U.S. PATENT DOCUMENTS

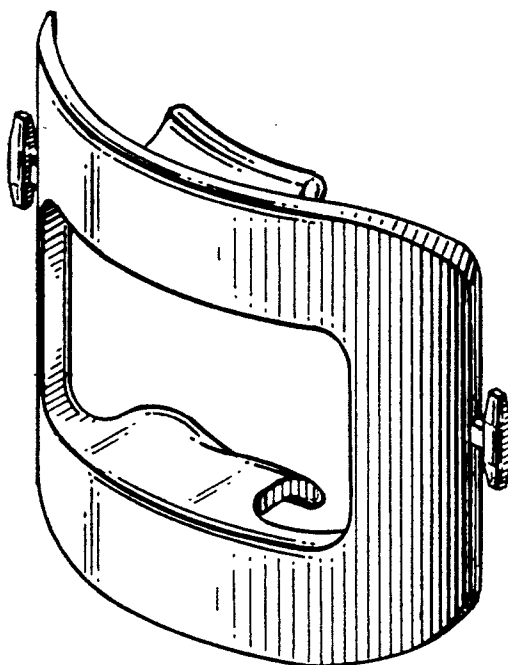
D. 283,158 3/1986 Jackson ..... D24/29  
 D. 303,585 9/1989 White et al. .... D29/7  
 D. 329,901 9/1992 Jackson ..... D24/176  
 1,674,336 6/1928 King ..... 128/848  
 2,693,182 11/1954 Phillips ..... 128/208  
 2,857,911 10/1958 Bennett ..... 128/147  
 2,908,269 10/1959 Cheng ..... 128/12  
 3,722,101 3/1973 Via, Jr. .... 433/140  
 3,774,616 11/1973 White et al. .... 128/351  
 3,946,742 3/1976 Eross ..... 128/351  
 4,169,473 10/1979 Samelson ..... 128/136  
 4,179,815 12/1925 Hoffman ..... 433/140  
 4,223,671 9/1980 Muto ..... 128/200.26  
 4,270,529 6/1981 Muto ..... 128/200  
 4,326,515 4/1982 Shaffer et al. .... 128/207  
 4,329,984 5/1982 Kervin ..... 128/207  
 4,425,911 1/1984 Luomanen et al. .... 128/200.26

### [57] CLAIM

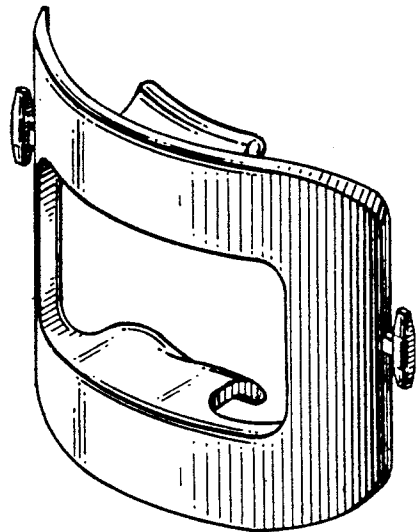
The ornamental design for a combined bite block and cusps, as shown and described.

### DESCRIPTION

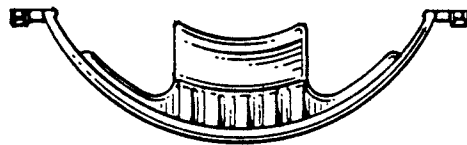
FIG. 1 is a front elevational view of a combined bite block and cusps showing my new design;  
 FIG. 2 is a top plan view of a combined bite block and cusps shown in FIG. 1. The bottom plan view is identical;  
 FIG. 3 is a side elevational view of the combined bite block and from the right-hand side of FIG. 1. The left-hand side is a mirror image;  
 FIG. 4 is a rear elevational view of a combined bite block and cusps shown in FIGS. 1-3;  
 FIG. 5 is a cross-sectional view thereof, taken on the line 5-5 of FIG. 4; and,  
 FIG. 6 is an isometric view of a combined bite block and cusps shown in FIGS. 1-5.



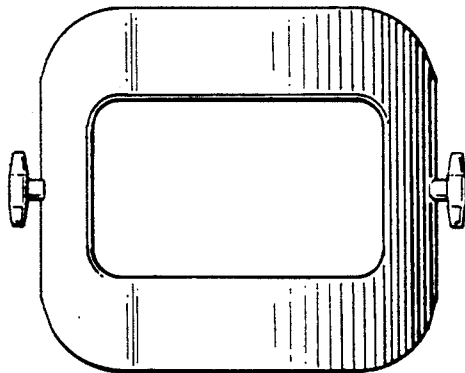
*Fig. 6.*



*Fig. 2.*



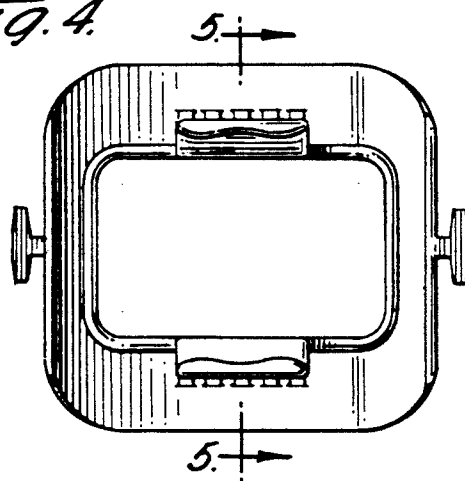
*Fig. 1.*



*Fig. 3.*



*Fig. 4.*



*Fig. 5.*

