



US00D706272S

(12) **United States Design Patent**
Poon

(10) **Patent No.:** **US D706,272 S**

(45) **Date of Patent:** **** Jun. 3, 2014**

(54) **CASE FOR A TABLET COMPUTER**

(71) Applicant: **Daniel Poon**, Nashville, TN (US)

(72) Inventor: **Daniel Poon**, Nashville, TN (US)

(73) Assignee: **Griffin Technology, Inc.**, Nashville, TN (US)

(**) Term: **14 Years**

(21) Appl. No.: **29/444,471**

(22) Filed: **Jan. 31, 2013**

(51) **LOC (10) Cl.** **14-02**

(52) **U.S. Cl.**
USPC **D14/440**

(58) **Field of Classification Search**

USPC D14/250, 251, 253, 240, 217, 496, 440,
D14/203.3, 203.4, 203.5, 203.8, 341, 318;
D3/218, 215, 201, 294, 289, 900;
220/4.02; 248/309.1; 361/679.56;
379/426, 433.11, 455; 455/575.1,
455/575.8; 190/100; 206/305, 320;
D21/469

See application file for complete search history.

(56) **References Cited**

U.S. PATENT DOCUMENTS

5,887,723 A * 3/1999 Myles et al. 206/760
D624,615 S * 9/2010 Kusmierz D21/686
D635,555 S * 4/2011 Giles D14/217
D643,433 S * 8/2011 Hsieh et al. D14/440

D652,214 S * 1/2012 Swartz et al. D3/301
D656,135 S * 3/2012 Swartz et al. D14/250
D668,661 S * 10/2012 Norfolk D14/440
D674,803 S * 1/2013 Westrup D14/440
2009/0171397 A1* 7/2009 Rothman et al. 606/280
2012/0043247 A1* 2/2012 Westrup 206/472
2012/0193496 A1* 8/2012 Li 248/316.1

* cited by examiner

Primary Examiner — Cynthia Underwood

(74) *Attorney, Agent, or Firm* — Hornkohl Intellectual Patent Law, PLLC; Joson L. Hornkohl

(57) **CLAIM**

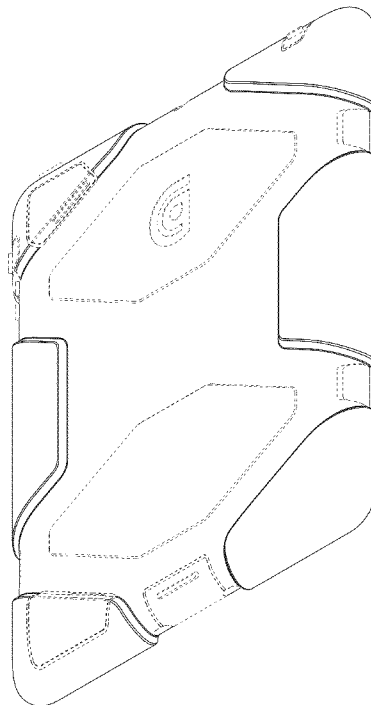
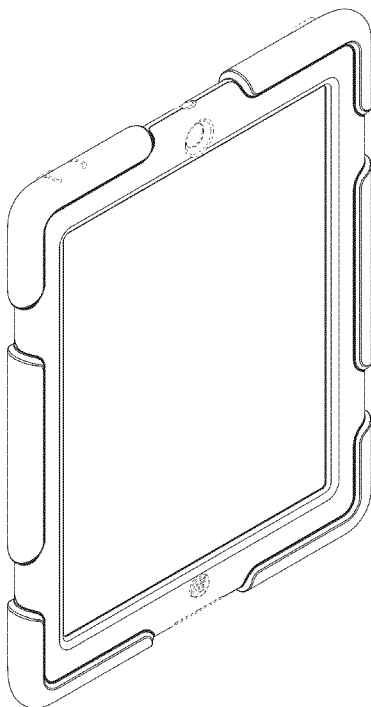
The ornamental design for a case for a tablet computer, as shown and described.

DESCRIPTION

FIG. 1 is an isometric view showing the front of the new design for a case for a tablet computer;
FIG. 2 is a right side view of the case for a tablet computer;
FIG. 3 is a left side view of the case for a tablet computer;
FIG. 4 is a front view of the case for a tablet computer;
FIG. 5 is a top view of the case for a tablet computer;
FIG. 6 is a bottom view of the case for a tablet computer;
FIG. 7 is a back view of the case for a tablet computer; and,
FIG. 8 is an isometric view of the back of the new design for a case for a tablet computer.

The broken lines in the drawing figures are for the purpose of illustrating functional and trade dress aspects of the case for a tablet computer that form no part of the claimed ornamental design.

1 Claim, 6 Drawing Sheets



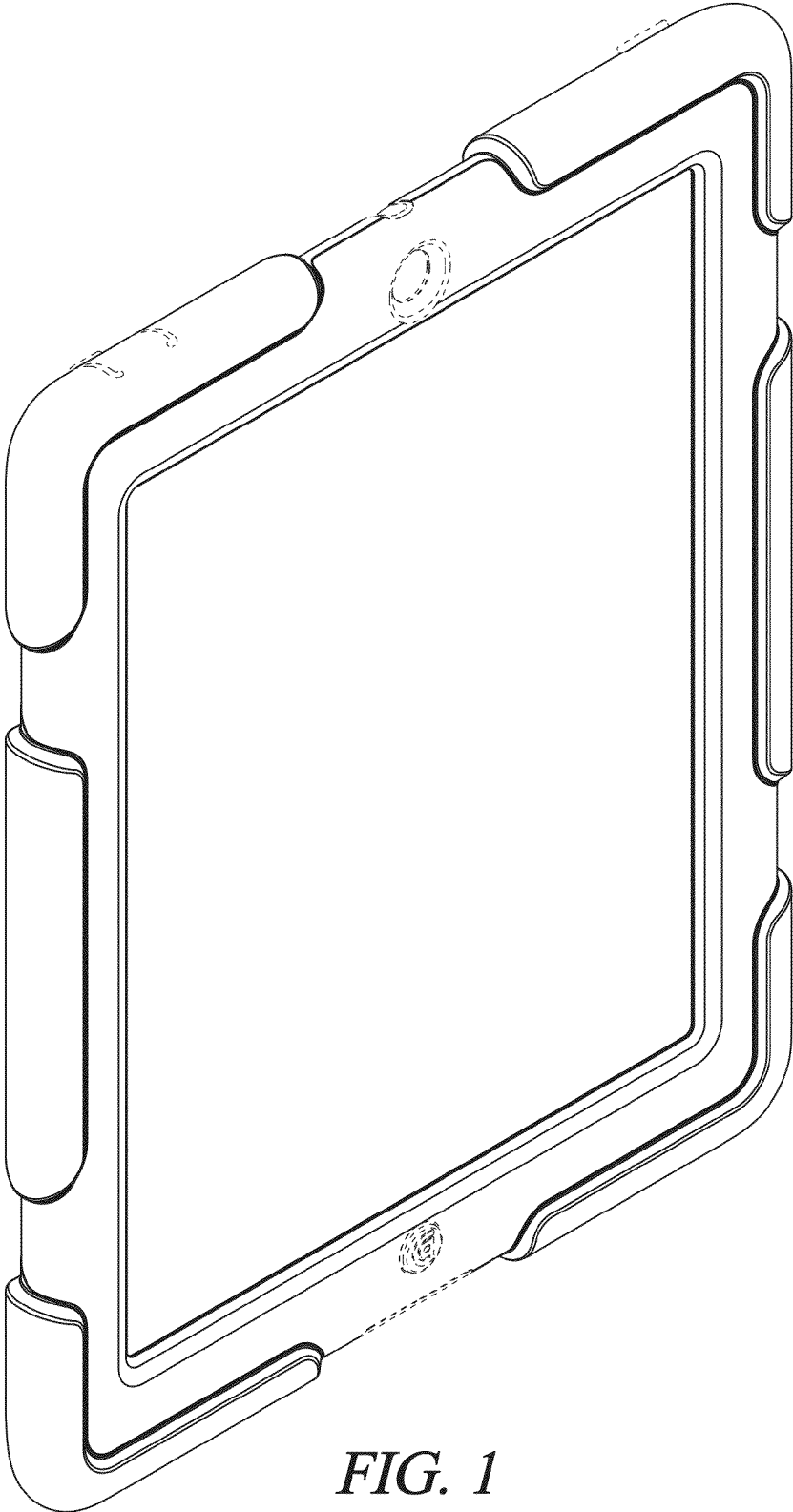


FIG. 1

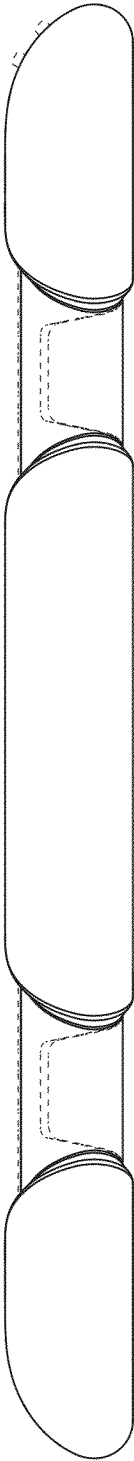


FIG. 2

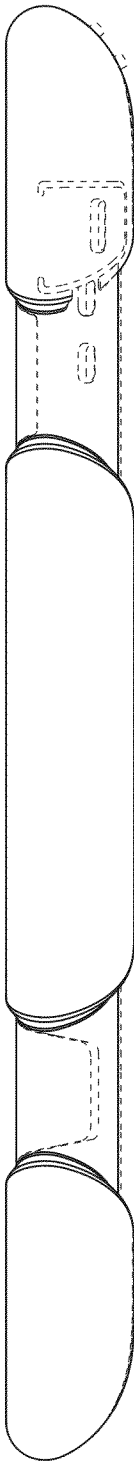


FIG. 3

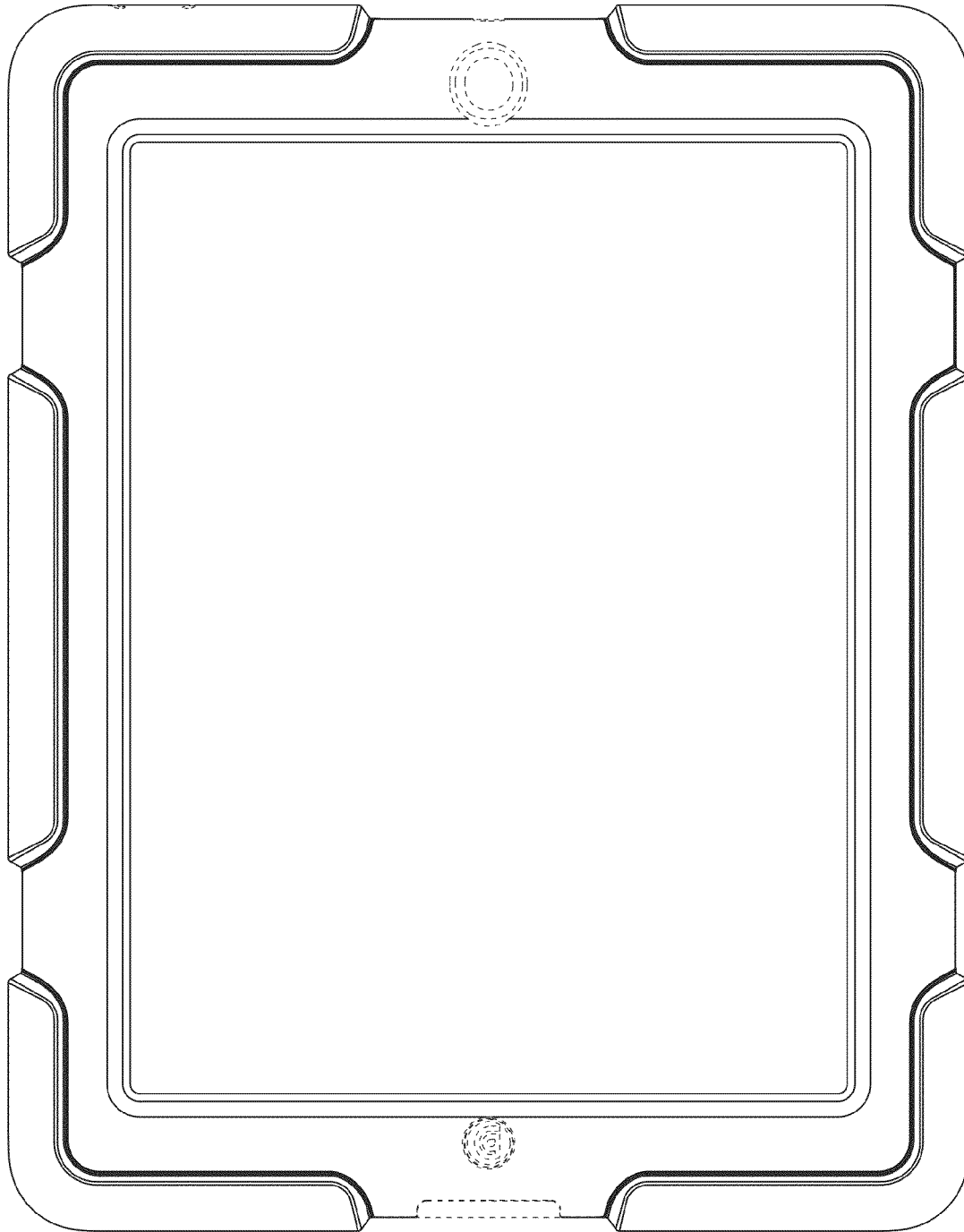


FIG. 4

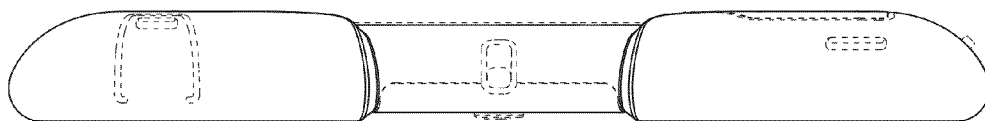


FIG. 5

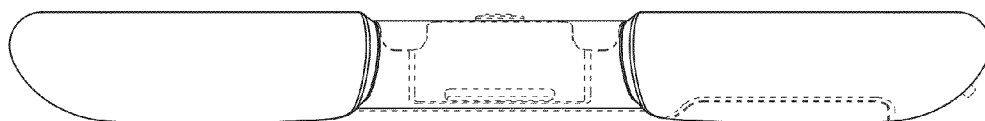


FIG. 6

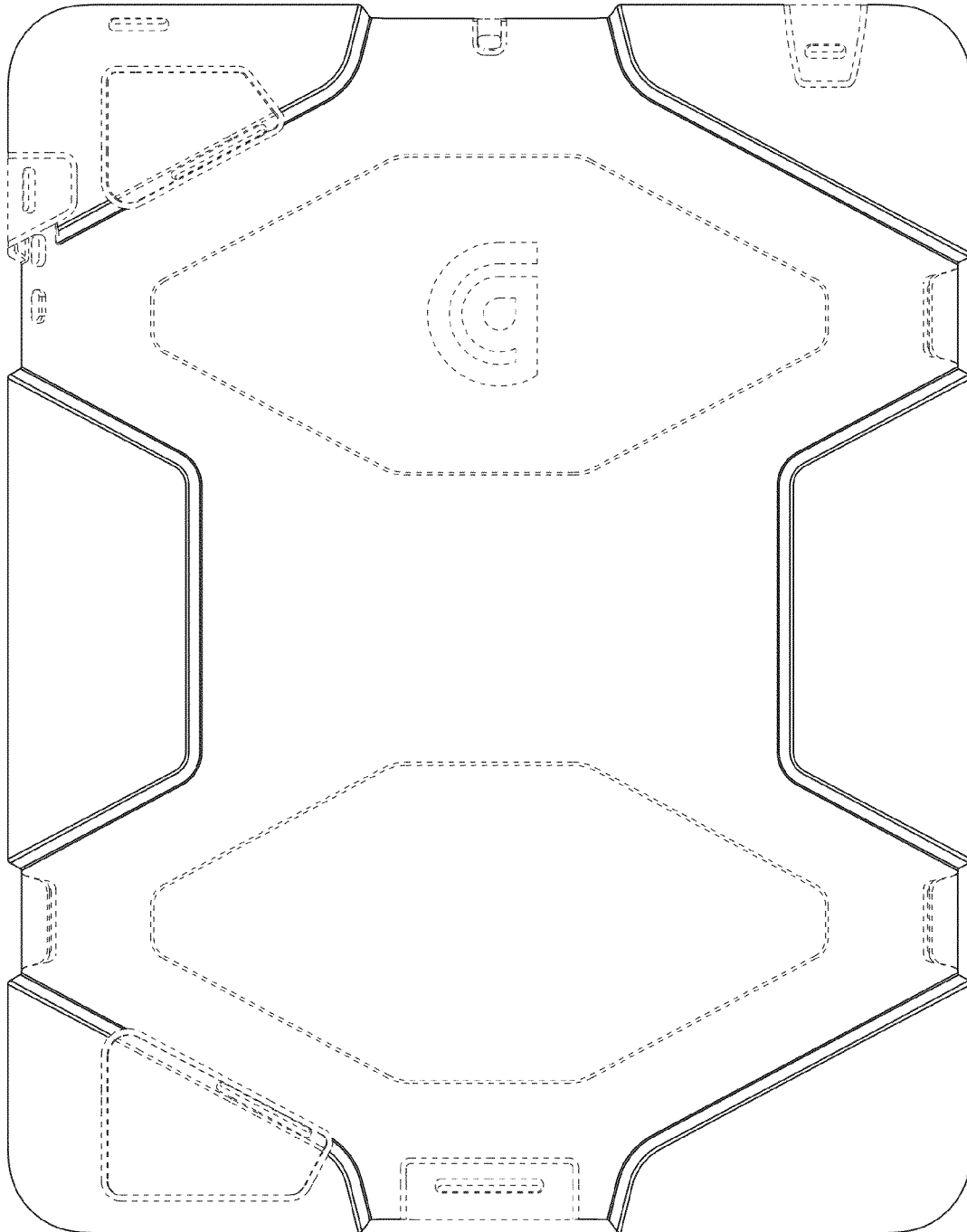


FIG. 7

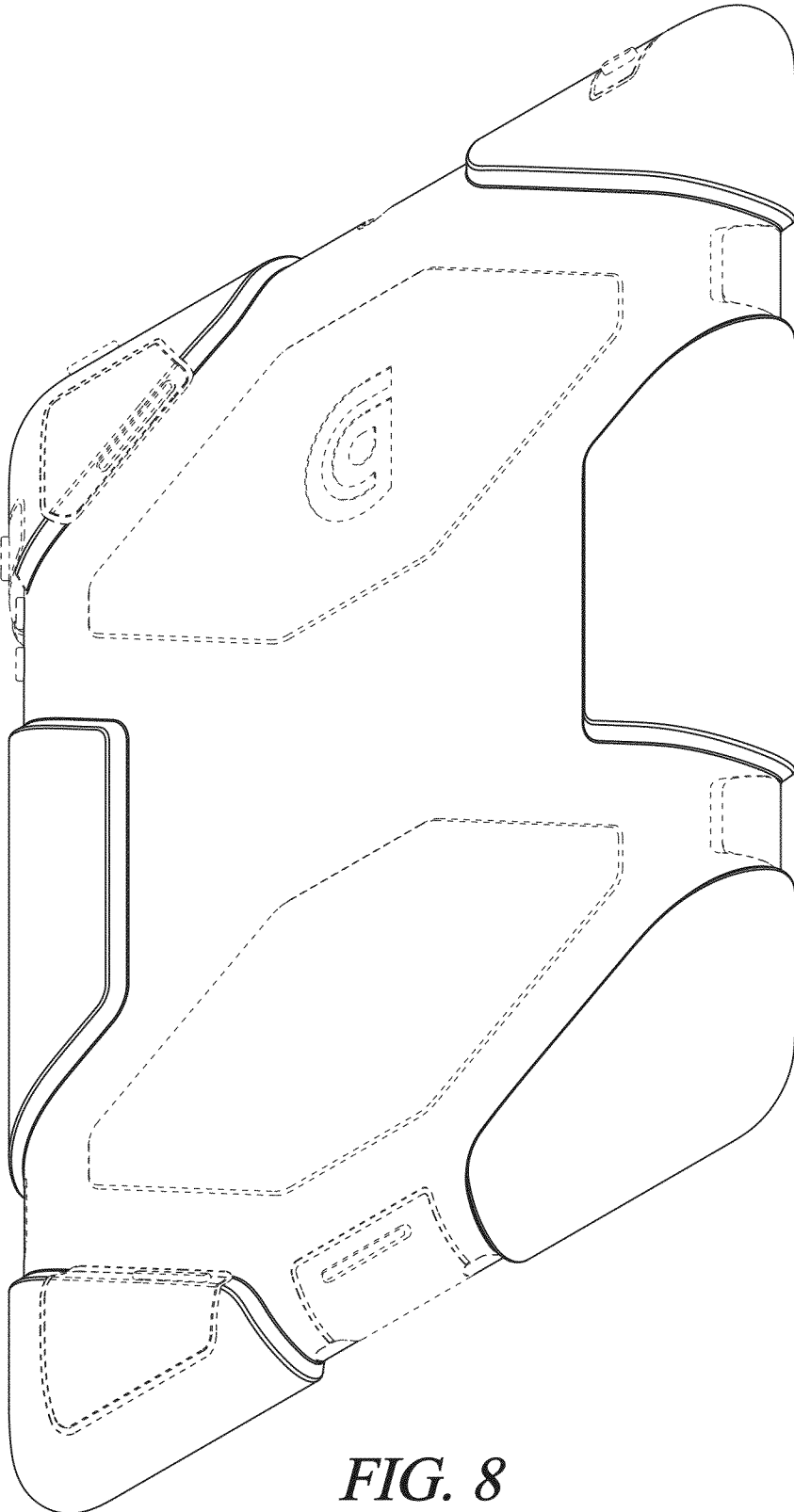


FIG. 8