



US00D588409S

(12) **United States Design Patent**  
**Kleckauskas et al.**

(10) **Patent No.:** **US D588,409 S**  
(45) **Date of Patent:** **\*\* Mar. 17, 2009**

(54) **MUG WITH STRAW**

(75) Inventors: **Robert Kleckauskas**, St. Charles, IL (US); **Bruce Ronner**, Glencoe, IL (US); **John P. Coursey**, Chicago, IL (US); **David Maas**, Wheaton, IL (US); **Rita Sifuentes**, Melrose Park, IL (US); **Verner Fagerberg**, Bloomington, IL (US); **Thomas Trigsted**, Schaumburg, IL (US); **Deborah P. Kunzon**, Arlington Heights, IL (US)

(73) Assignee: **Arrow Plastic Manufacturing Co.**, Elk Grove, IL (US)

(\*\*) Term: **14 Years**

(21) Appl. No.: **29/301,519**

(22) Filed: **Mar. 4, 2008**

(51) **LOC (9) Cl.** ..... **07-01**  
(52) **U.S. Cl.** ..... **D7/507; D7/510; D7/536**  
(58) **Field of Classification Search** ..... **D7/507, D7/509-511, 533-536, 532; D24/197; D9/502; 220/703, 705, 708, 709, 710; 215/388, 11.1**  
See application file for complete search history.

(56) **References Cited**

U.S. PATENT DOCUMENTS

D105,669 S *	8/1937	Mills	.....	D9/502
D285,035 S *	8/1986	Petrasek	.....	D7/536
D315,409 S *	3/1991	Baarber	.....	D24/197
D347,763 S	6/1994	Kleckauskas et al.		
5,518,143 A *	5/1996	Iodice	.....	220/708
D373,050 S	8/1996	Brewer et al.		

D407,946 S	4/1999	Brewer et al.		
D412,885 S *	8/1999	Toly	.....	D13/154
D442,436 S *	5/2001	Kleckauskas et al.	.....	D7/511
6,527,137 B1 *	3/2003	Kleckauskas et al.	.....	220/705
D475,890 S *	6/2003	Mazonkey	.....	D7/507
D479,669 S *	9/2003	Norris et al.	.....	D7/532
D482,620 S	11/2003	Kleckauskas et al.		
D489,225 S *	5/2004	Leinenweber	.....	D7/510
D490,653 S	6/2004	Kleckauskas et al.		
D496,222 S	9/2004	Kleckauskas et al.		
D503,072 S *	3/2005	Norris et al.	.....	D7/532
D503,074 S *	3/2005	Norris et al.	.....	D7/532
D507,722 S *	7/2005	Rockhill	.....	D7/510
D516,864 S *	3/2006	Kleckauskas et al.	.....	D7/507
D527,137 S *	8/2006	Urich	.....	D26/138
D538,107 S *	3/2007	Norris et al.	.....	D7/532

\* cited by examiner

*Primary Examiner*—Marianne Pandozzi  
(74) *Attorney, Agent, or Firm*—Wood, Phillips, Katz, Clark & Mortimer

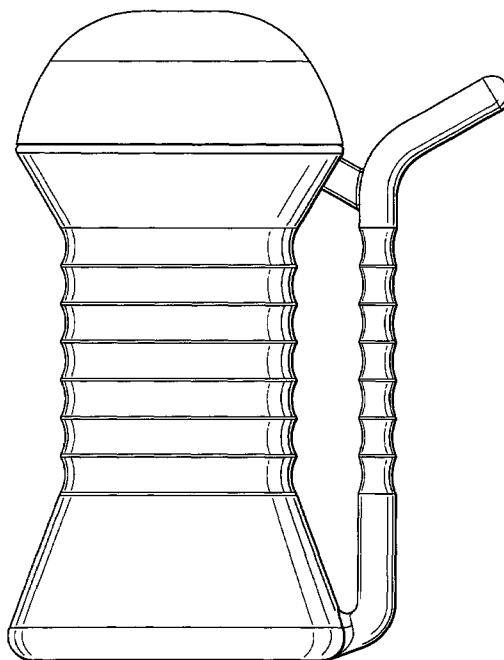
(57) **CLAIM**

The ornamental design for a mug with straw, as shown and described.

**DESCRIPTION**

FIG. 1 is a side-elevational view of the design, the opposite side elevational view being a mirror image thereof;  
FIG. 2 is a rear elevational view thereof;  
FIG. 3 is a top plan view thereof;  
FIG. 4 is an upper, perspective view thereof; and,  
FIG. 5 is a lower, perspective view thereof.

**1 Claim, 5 Drawing Sheets**



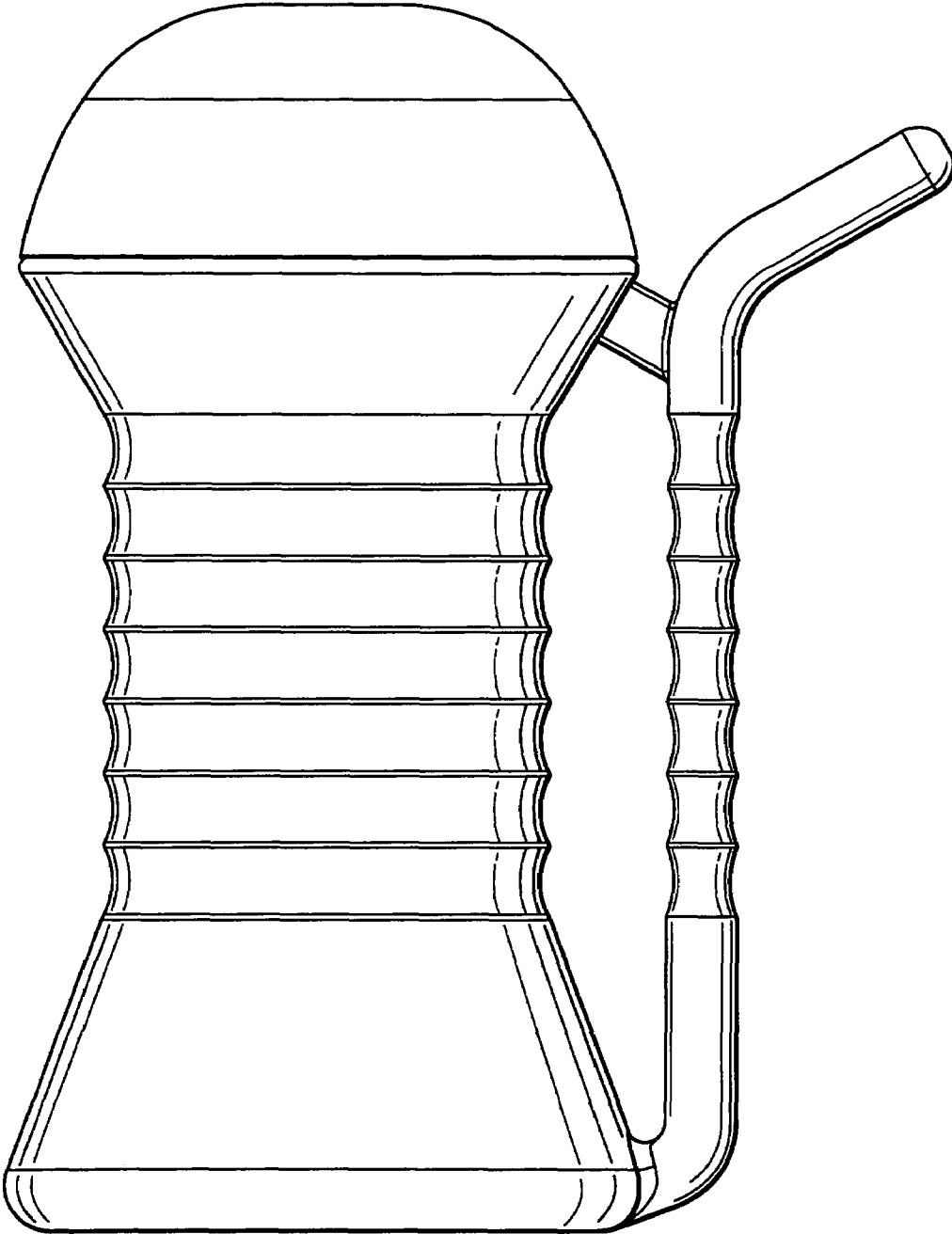


FIGURE 1

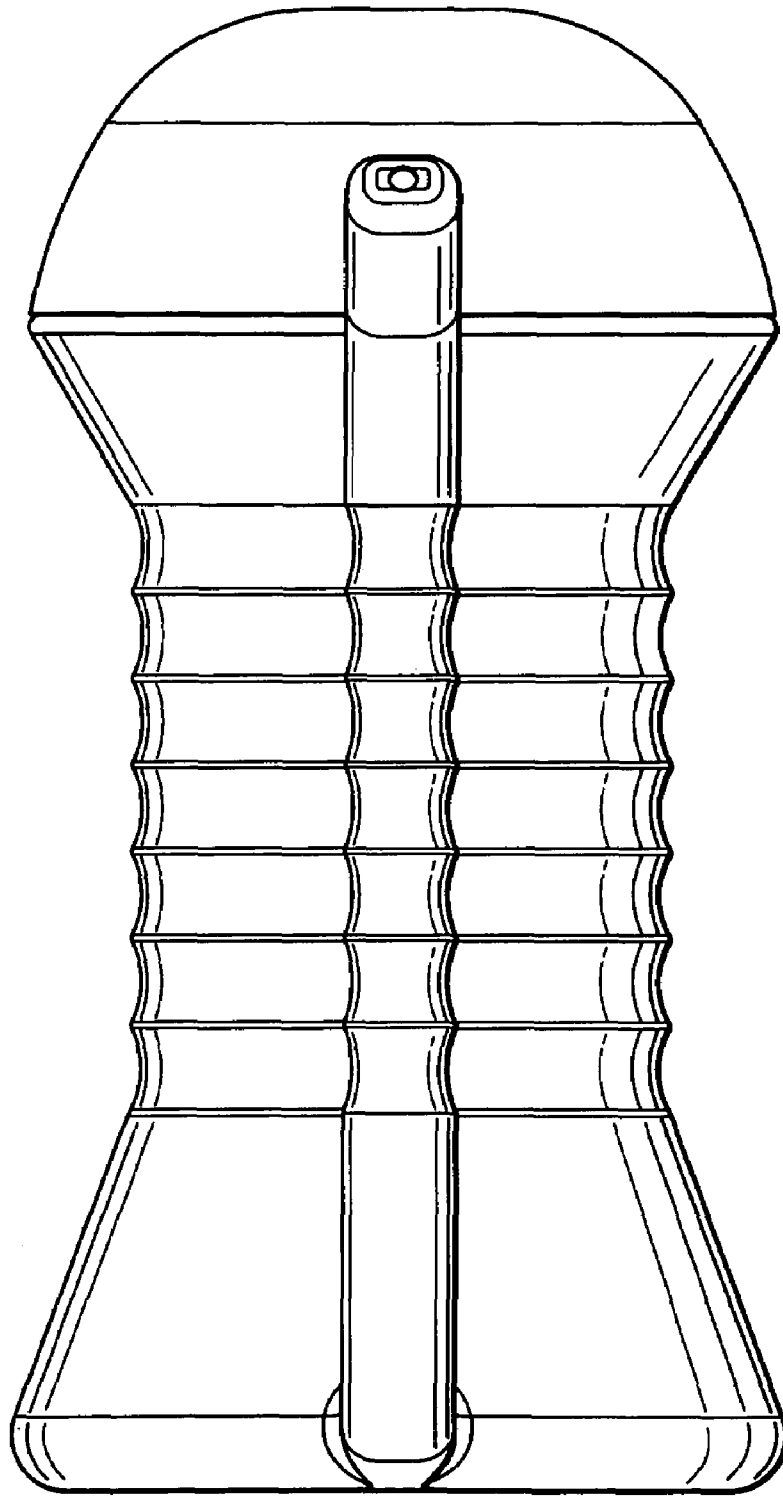


FIGURE 2

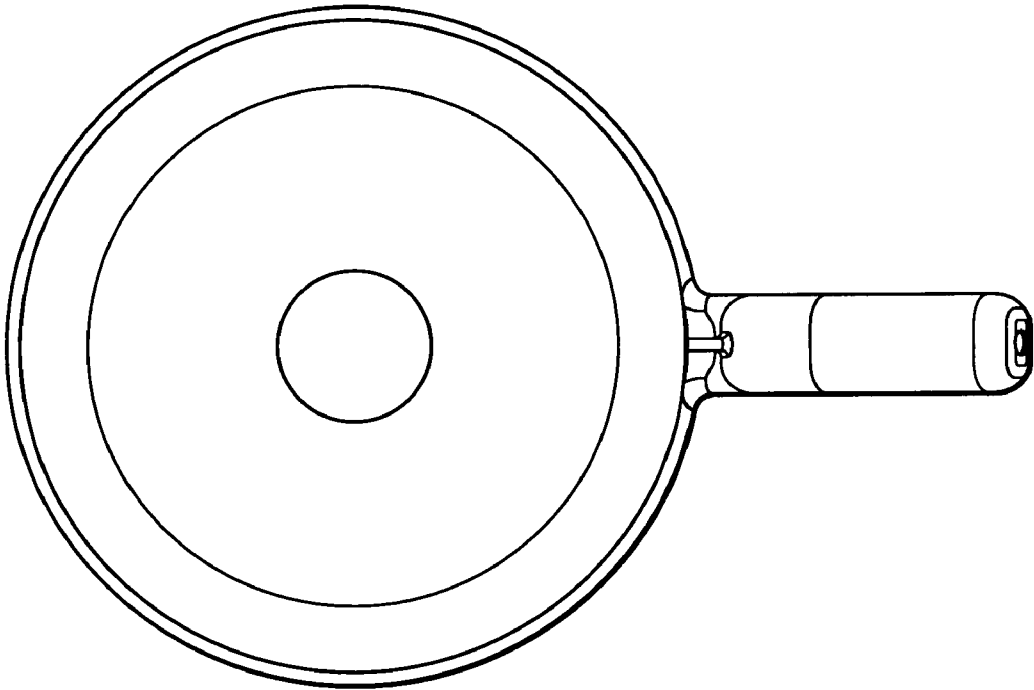


FIGURE 3

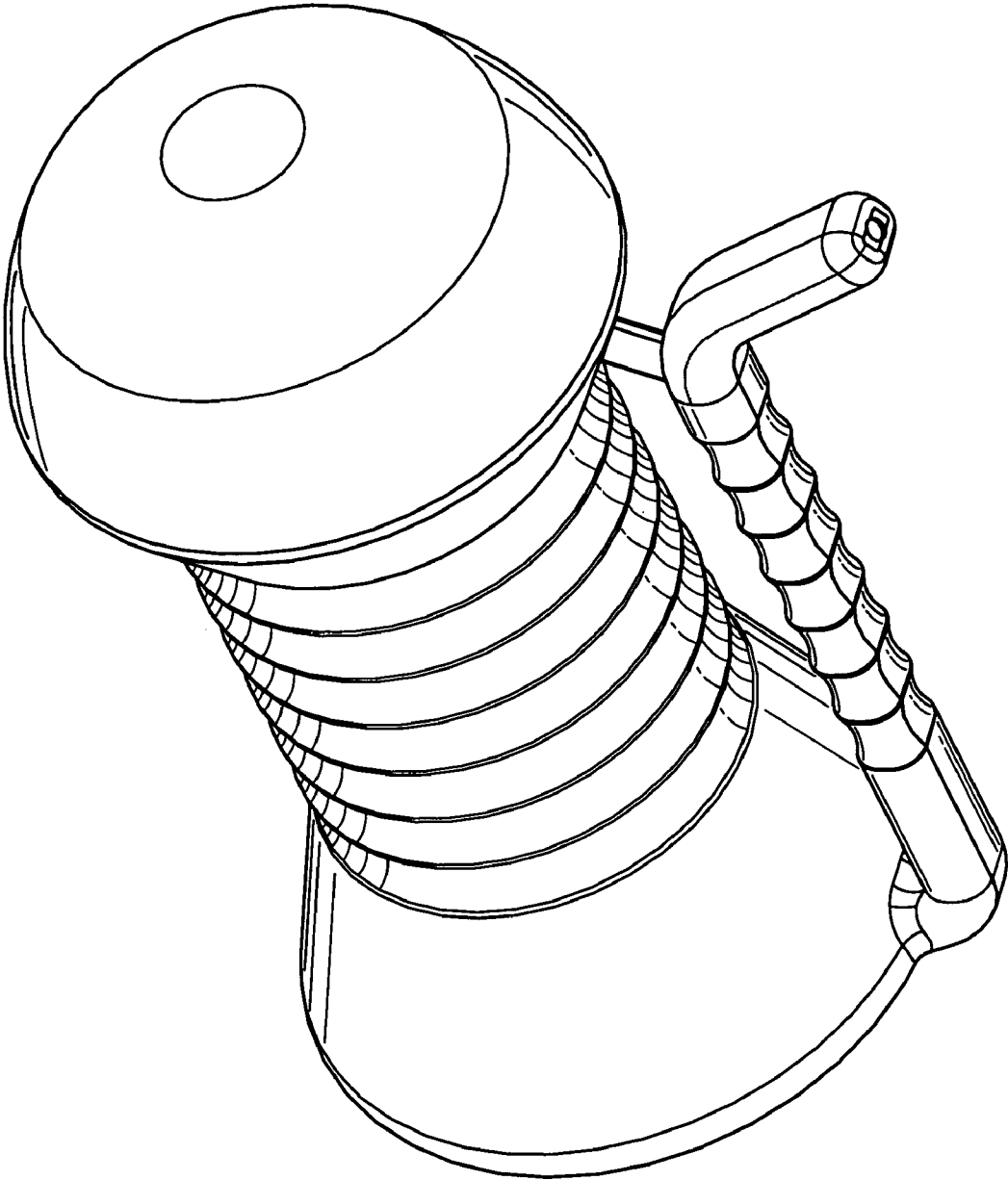


FIGURE 4

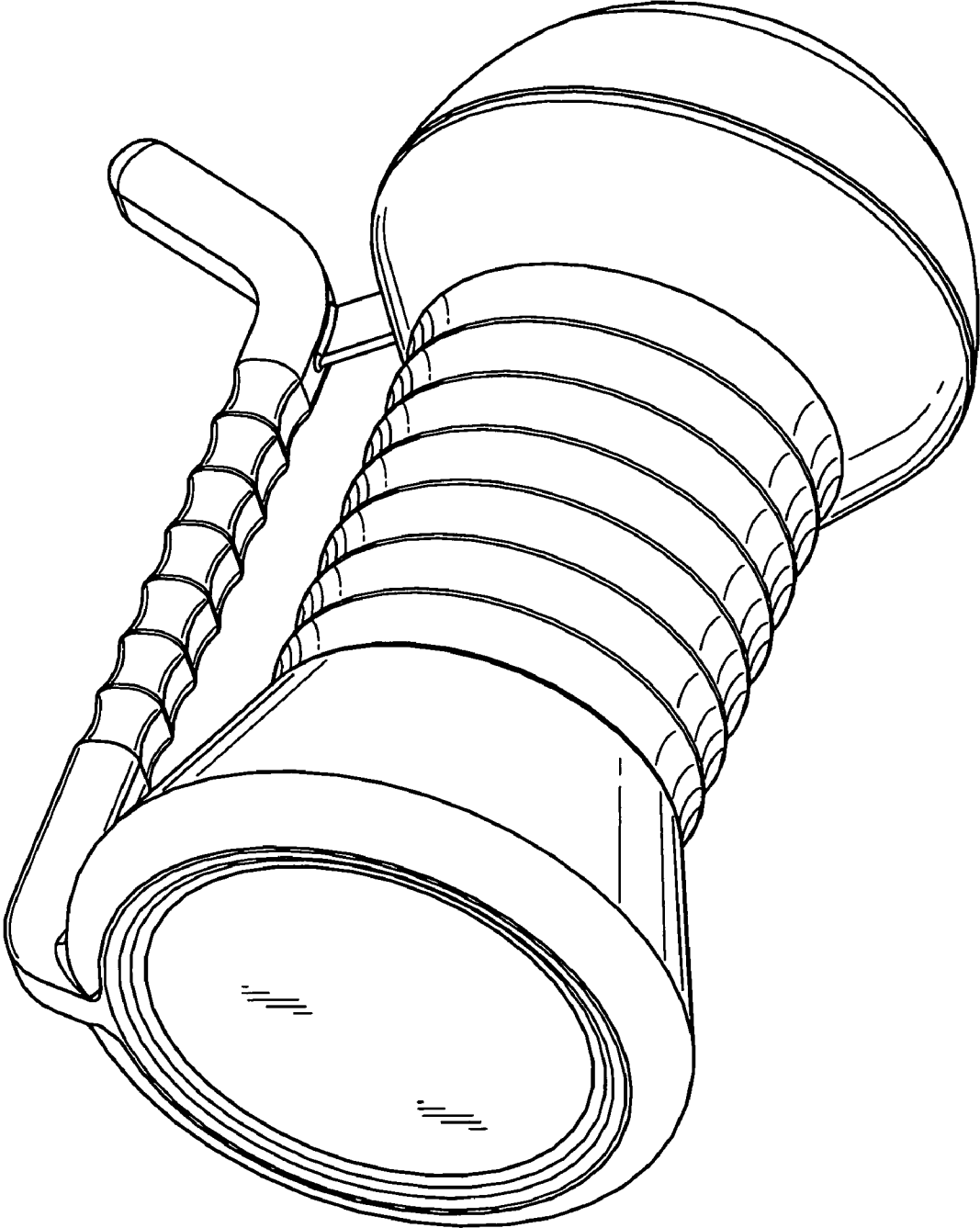


FIGURE 5