

(19) World Intellectual Property Organization
International Bureau



(43) International Publication Date
30 March 2006 (30.03.2006)

PCT

(10) International Publication Number
WO 2006/033820 A3

- (51) International Patent Classification:
B26B 19/02 (2006.01) H02K 33/00 (2006.01)
B26B 19/12 (2006.01)
- (21) International Application Number:
PCT/US2005/031623
- (22) International Filing Date:
6 September 2005 (06.09.2005)
- (25) Filing Language: English
- (26) Publication Language: English
- (30) Priority Data:
10/943,674 17 September 2004 (17.09.2004) US

(74) Agent: BUSH, Gayle, A.; Michael Best & Friedrich LLP,
100 East Wisconsin Avenue, Suite 3300, Milwaukee, WI
53202-4108 (US).

(81) Designated States (unless otherwise indicated, for every
kind of national protection available): AE, AG, AL, AM,
AT, AU, AZ, BA, BB, BG, BR, BW, BY, BZ, CA, CH, CN,
CO, CR, CU, CZ, DE, DK, DM, DZ, EC, EE, EG, ES, FI,
GB, GD, GE, GH, GM, HR, HU, ID, IL, IN, IS, JP, KE,
KG, KM, KP, KR, KZ, LC, LK, LR, LS, LT, LU, LV, MA,
MD, MG, MK, MN, MW, MX, MZ, NA, NG, NI, NO, NZ,
OM, PG, PH, PL, PT, RO, RU, SC, SD, SE, SG, SK, SL,
SM, SY, TJ, TM, TN, TR, TT, TZ, UA, UG, US, UZ, VC,
VN, YU, ZA, ZM, ZW.

(84) Designated States (unless otherwise indicated, for every
kind of regional protection available): ARIPO (BW, GH,
GM, KE, LS, MW, MZ, NA, SD, SL, SZ, TZ, UG, ZM,
ZW), Eurasian (AM, AZ, BY, KG, KZ, MD, RU, TJ, TM),
European (AT, BE, BG, CH, CY, CZ, DE, DK, EE, ES, FI,
FR, GB, GR, HU, IE, IS, IT, LT, LU, LV, MC, NL, PL, PT,
RO, SE, SI, SK, TR), OAPI (BF, BJ, CF, CG, CI, CM, GA,
GN, GQ, GW, ML, MR, NE, SN, TD, TG).

(71) Applicant (for all designated States except US): ANDIS
COMPANY [US/US]; 1800 Renaissance Boulevard,
Sturtevant, WI 53177 (US).

(72) Inventors; and

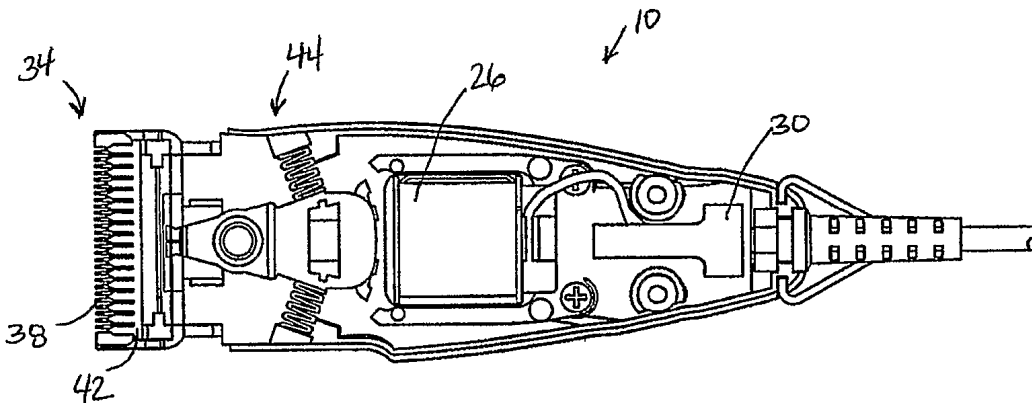
(75) Inventors/Applicants (for US only): DERBY, Robert, E.
[US/US]; 505 Cramford Drive, Racine, WI 53402 (US).
ANDIS, Matthew, L. [US/US]; 5315 Wind Point Road,
Racine, WI 53402 (US).

Published:

— with international search report

(88) Date of publication of the international search report:
2 April 2009

(54) Title: CONTROLLER FOR HAND-HELP ELECTRICAL DEVICE FOR CUTTING HAIR



(57) Abstract: A hair clipper or trimmer (10) having an inner cavity (22) including a controller (30) and a pivot motor (26) operable to control a reciprocating blade at a speed greater than 3,600 blade strokes per minute. The hair clipper (10) or trimmer can also use a vibrato magnetic motor (26) operable to control a reciprocating blade at a speed greater than 7,200 blade strokes per minute.

WO 2006/033820 A3

INTERNATIONAL SEARCH REPORT

International application No.

PCT/US05/31623

A. CLASSIFICATION OF SUBJECT MATTER

IPC: B26B 19/02(2006.01);B26B 19/12(2006.01);H02K 33/00(2006.01)

USPC: 318/114;30/43.92,43.9,346.51

According to International Patent Classification (IPC) or to both national classification and IPC

B. FIELDS SEARCHED

Minimum documentation searched (classification system followed by classification symbols)

U.S. : 318/114; 30/43.92,43.9,346.51

Documentation searched other than minimum documentation to the extent that such documents are included in the fields searched

Electronic data base consulted during the international search (name of data base and, where practicable, search terms used)

C. DOCUMENTS CONSIDERED TO BE RELEVANT

Category *	Citation of document, with indication, where appropriate, of the relevant passages	Relevant to claim No.
Y	US 5,787,587 (WAHL et al.) 04 August 1998 (04/08/1998), see all document	1-34
Y	US 6,044,002 (VAN DER WAL et al.) 28 March 2000 (28/03/2000), see figure 2-3, and all document	1-34
A	US 6,133,701 (GUKTURK et al.) 17 October 2000 (17.10.2000), Whole Document	2-8, 24-28
Y	US 6,548,971 (GOKTURK) 15 April 2003 (15.04.2003), see figures 6, 7 and 15a, 15b, 15c	15
A	US 6,612,034 (DAMSTRA) 2 September 2003 (2.09.2003), Whole Document	1-34

 Further documents are listed in the continuation of Box C.

See patent family annex.

* Special categories of cited documents:

"A"	document defining the general state of the art which is not considered to be of particular relevance	"T"	later document published after the international filing date or priority date and not in conflict with the application but cited to understand the principle or theory underlying the invention
"E"	earlier application or patent published on or after the international filing date	"X"	document of particular relevance; the claimed invention cannot be considered novel or cannot be considered to involve an inventive step when the document is taken alone
"L"	document which may throw doubts on priority claim(s) or which is cited to establish the publication date of another citation or other special reason (as specified)	"Y"	document of particular relevance; the claimed invention cannot be considered to involve an inventive step when the document is combined with one or more other such documents, such combination being obvious to a person skilled in the art
"O"	document referring to an oral disclosure, use, exhibition or other means	"&"	document member of the same patent family
"P"	document published prior to the international filing date but later than the priority date claimed		

Date of the actual completion of the international search

12 June 2008 (18.06.2008)

Date of mailing of the international search report

07 JUL 2008

Name and mailing address of the ISA/US

Mail Stop PCT, Attn: ISA/US
Commissioner of Patents
P.O. Box 1450
Alexandria, Virginia 22313-1450

Authorized officer

Lincoln Donovan

Telephone No. (703) 308-1782

Facsimile No. (571) 273-3201